

SPRINT

production

18V LITHIUM-ION CORDLESS LAWNMOWER ASSEMBLY AND OWNER'S MANUAL



WARNING! Read this manual before operating your product.



Register your Sprint product... Take advantage of all benefits!

www.Sprintpower.eu/Register

**Languages**

Original Instructions	1
Instrucciones Originalesl	20
Instruções Originais	39
Notice Originale	58
Ursprüngliche Anweisungen	77
Istruzioni Originali	95
Originele instructies	114
Originálne pokyny	133
Originálne pokyny	152
Eredeti utasítások	171
Opprinnelige instruksjoner	190
Izvorne upute	209
Originalinstruktioner	228
Alkuperäiset ohjeet	247
Originale instruktioner	266
Izvirna navodila	285
Oryginalne instrukcje	304



IMPORTANT INFORMATION

Details

Thank you for purchasing your Sprint product. Sprint prides itself in the quality and performance of all its products.

This instruction manual will aid in the assembly, safe operation and maintenance of your product.

Please read the following warnings to ensure safety and the long life of your product.

WARNING

Do not attempt to operate this product until you have read thoroughly and understood completely all instructions, safety rules, etc, contained in this manual. Failure to comply may result in accidents involving electric shock, fire, and/or serious personal injury.

INTENDED USE

This product is intended for domestic lawn mowing only. The cutting blade should rotate approximately parallel to the ground over which it is being wheeled. All four wheels should touch the ground while mowing. It is a pedestrian controlled walk behind mower.

NOTE: The mower should never be operated with the wheels off the ground, it should not be pulled or ridden on. It should not be used to cut anything other than domestic grass lawns.

Do not use the product for any task, except for that which it is intended.

General safety



Warning!



Read the directions for use before operating the machine.



Wear safety goggles and ear protection that meet safety standards.



Wear sturdy, non-slip footwear.



Wear safety gloves.



Do not use machine in wet conditions, protect the machine from rain and damp.



Be careful of objects being thrown out!



Ensure bystanders are kept at least 50' (15m) away & stop the machine if approached.



Keep away from heat and/or open flame.



Beware of electric shock hazard when charging.



Read the directions before carrying out any maintenance work.



Wait for all components of the machine to completely stop & remove the battery.



Keep hands and feet away from cutting area. Contact with the blades can amputate hands & feet.



Should NOT be disposed of with house hold items.



Never use the mower unless the grass catcher or guard is in position.



Ambient temperature 40°C Max.










Do not throw into water.

CONTENTS & SYMBOLS



Table of Contents

	Features & Definitions		
		Features & supplied items	3
	Safety & Handling		
		General safety	5
		Product disposal	7
	Assembly Procedures		
		Unpacking	7
		Unfolding & adjusting handles	8
		Installing the grass catcher	8
		Installing & removing the Mulch plug	9
		Installing & removing the Battery	10
	Operating Instructions		
		Starting & stopping	12
		Cutting height adjustment	13
		Quick setup guide	14
		Mowing tips	15
		Mulching tips	15
	Maintenance & Care		
		Emptying the grass catcher	16
		Battery replacement	16
		Blade bar replacement	17
		Cleaning	18
		Storing	19
		Service	19
		Maintenance chart	20
	Troubleshooting		
		Troubleshooting	21
	Specifications		
		Technical Specifications	22

NOTE: WARRANTY DETAILS ARE NOT WRITTEN WITHIN THIS OPERATOR'S MANUAL. REFER TO OTHER DOCUMENTS SUPPLIED WITH THIS MACHINE FOR WARRANTY DETAILS.



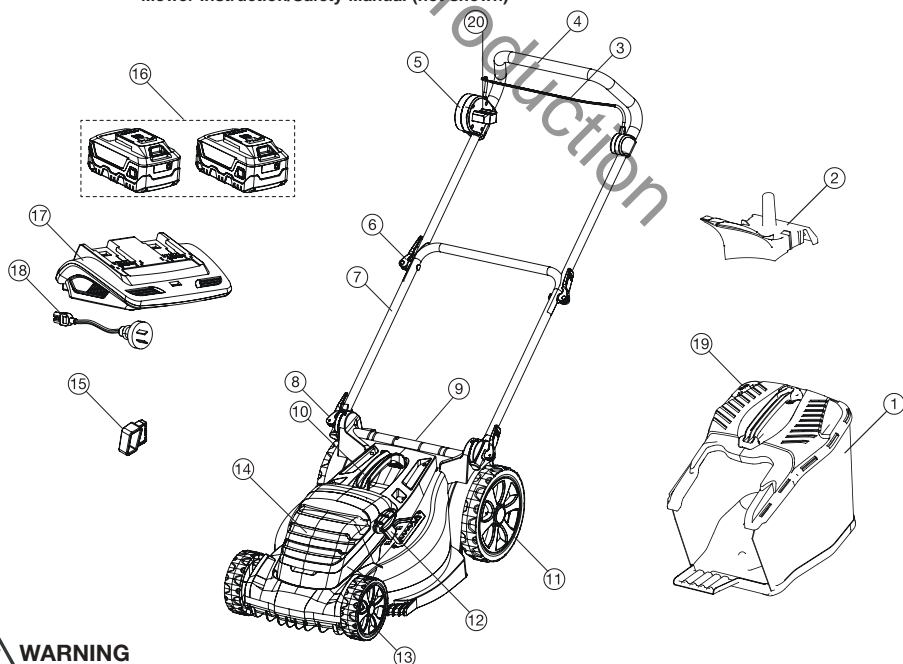
FEATURES & DEFINITIONS

Features & Supplied Items For Twin Battery Mower

- 1 Grass Catcher
- 2 Mulch Plug (not available with all models)
- 3 Bail
- 4 Upper Handle
- 5 Starter Control
- 6 Handle Cam Lock
- 7 Lower Handle
- 8 Lower Handle Lock
- 9 Rear Flap
- 10 Mid Handle
- 11 Rear Wheel
- 12 Height Adjustment (position may vary on different models)
- 13 Front Wheel
- 14 Battery Housing
- 15 Safety Key
- 16 Lithium-ion Battery x 2
- 17 Battery Charger
- 18 Charging Cord
- 19 Grass Full Indicator
- 20 Battery Capacity Indicator

- Battery & Charger Instruction/Safety Manual (not shown)

- Mower Instruction/Safety Manual (not shown)



WARNING

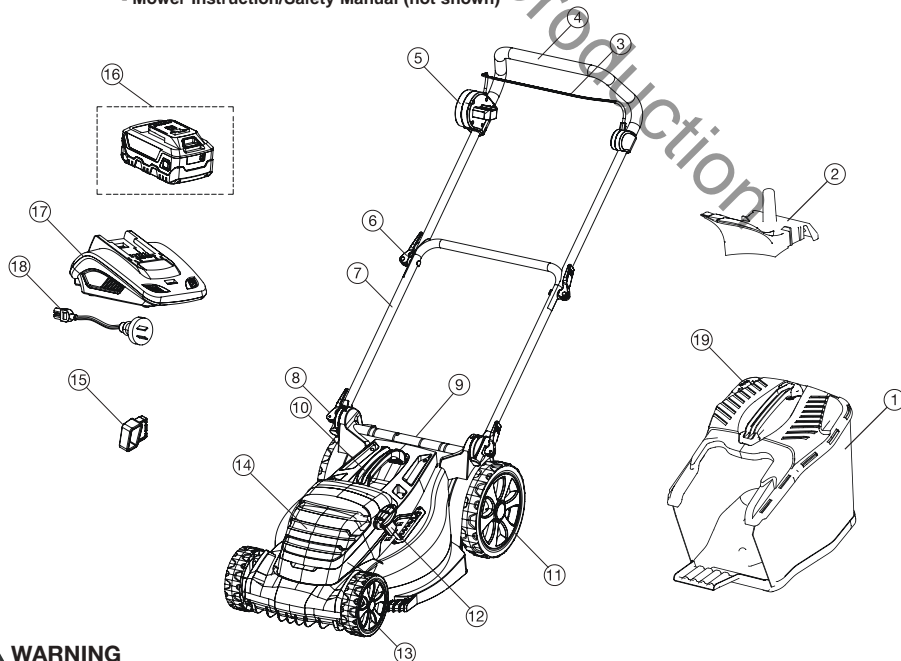
Do not operate the product if any component is missing or damaged. Have any missing or damaged components repaired or replaced.



Features & Supplied Items For Single Battery Mower

- 1 Grass Catcher
- 2 Mulch Plug (not available with all models)
- 3 Bail
- 4 Upper Handle
- 5 Starter Control
- 6 Handle Cam Lock
- 7 Lower Handle
- 8 Lower Handle Lock
- 9 Rear Flap
- 10 Mid Handle
- 11 Rear Wheel
- 12 Height Adjustment (position may vary on different models)
- 13 Front Wheel
- 14 Battery Housing
- 15 Safety Key
- 16 Lithium-ion Battery x 1
- 17 Battery Charger
- 18 Charging Cord
- 19 Grass Full Indicator

- Battery & Charger Instruction/Safety Manual (not shown)
- Mower Instruction/Safety Manual (not shown)



WARNING

Do not operate the product if any component is missing or damaged. Have any missing or damaged components repaired or replaced.



SAFETY & HANDLING

General Safety

- Keep this manual in a safe place for future reference, and consult it regularly. Ensure other users read this manual and are aware of the product safety risks.
- The machine should be operated only with a genuine Briggs & Stratton Lithium-ion battery. When using battery operated machine basic safety precaution should always be followed to reduce the risk of leaking batteries and personal injury.
- Serious injury can occur as a result of the machine being pulled over the operator's foot during a fall caused by slipping or tripping.
- In the event of a trip or fall, release the handle bail immediately. Do not hold onto the machine handle bail during an accident.
- When needing to reverse with the machine, only do so once the machine has come to a complete stop and always look behind for hazards before moving.
- Do not operate the machine while under the influence of alcohol or drugs.
- Stay alert & do not operate the machine when you are tired. Pay attention to what you are doing and ensure others are aware of your task intentions before commencing.
- Before inspecting, adjusting, servicing or cleaning the machine, always stop & remove both the batteries & safety key.
- Stop the machine when crossing gravel driveways, walkways, or roads.
- If the machine starts to vibrate excessively, discontinue use until the machine has been inspected and assessed. Having a machine assessed for vibration problems generally reduces the risk for injury or product failure.
- Don't force the machine beyond its cutting capacity. The machine will perform better and safer if allowed to cut at the pace for which it is rated for.
- Do not use the machine indoors. Only store the machine indoors in a dry & secure location. Keep the machine out of reach of children.
- Use extreme care when approaching blind corners, doorways, shrubs, trees, or other objects that may obscure your view & the path of the machine.
- Do not operate the machine in any way which will allow the blades to be exposed and only use with all 4 wheels on the ground. Do not lift or carry the machine while operating.

Training

- Read the instructions carefully. Be familiar with the controls and the correct use of the machine.
- Never allow children or people unfamiliar with these instructions to use the machine. Local regulations can restrict the age of the operator.
- Never operate the machine while people, especially children, or pets are nearby.
- Keep in mind that the operator or user is responsible for accidents or hazards occurring to other people or their property.

Preparation

- While operating the machine always wear substantial footwear and long trousers. Do not operate the machine when barefoot or wearing open sandals. Avoid wearing clothing that is loose fitting or that has hanging cords or ties.
- Always wear a face mask or dust mask when operating the machine in a dusty environment.
- Thoroughly inspect the area where the machine is to be used and remove all objects which can be thrown by the machine.
- Before using, always visually inspect to see that the blade, blade bolt and the blade assembly are not worn or damaged. Replace worn or damaged components in sets to preserve balance. Replace damaged or unreadable labels.



Operation

- The machine should be operated only with a genuine Briggs & Stratton Lithium-ion battery. When using battery operated machine, basic safety precaution should always be followed to reduce the risk of leaking batteries and personal injury.
 - Operate the machine only in daylight or in good artificial light.
 - Avoid operating the machine in wet grass.
 - Always be sure of your footing on slopes.
 - Walk, never run.
 - Mow across the face of slopes, never up and down.
 - Exercise extreme caution when changing direction on slopes.
 - Do not mow excessively steep slopes.
 - Use extreme caution when reversing or pulling the machine towards you.
 - Stop the blade(s) if the machine has to be tilted for transportation when crossing surfaces other than grass, and when transporting the machine to and from the area to be used.
 - Never operate the machine with defective guards or shields, or without safety devices, for example deflectors and/or grass collector, in place.
 - Switch on the motor carefully according to instructions and with feet well away from the blade(s).
 - Do not start the machine when standing in front of the discharge opening.
 - Do not put hands or feet near or under rotating parts. Keep clear of the discharge opening at all times.
 - Do not transport the machine while the power source is running.
 - Stop the machine, and remove the safety key and battery. Make sure that all moving parts have come to a complete stop
 - whenever you leave the machine,
 - before clearing blockages or unclogging chute,
 - before checking, cleaning or working on the machine,
 - after striking a foreign object. Inspect the machine for damage and make repairs before restarting and operating the machine;
- If the machine starts to vibrate abnormally (check immediately)
- inspect for damage,
 - replace or repair any damaged parts,
 - check for and tighten any loose parts.

Maintenance and storage

- Keep all nuts, bolts and screws tight to be sure the machine is in safe working condition.
- Check the grass collector frequently for wear or deterioration.
- Be careful during adjustment of the machine to prevent entrapment of the fingers between moving blades and fixed parts or the machine.
- Always allow the machine to cool down before storing
- When servicing the blades be aware that, even though the power source is switched off, the blades can still be moved.
- Replace worn or damaged parts for safety. Use only genuine replacement parts and accessories.



SAFETY & HANDLING

Product Disposal

CORRECT DISPOSAL OF THE PRODUCT



Waste electrical products should not be disposed of with household waste. Please recycle where facilities exist. Check with your local authority or retailer for recycling advice. The battery contains material which is hazardous to you and the environment.

It must be removed and disposed of separately at a facility that accepts lithium-ion batteries.



Refer to Briggs & Stratton 18V Battery & Charger manual for further information relating to battery and charger disposal.

CORRECT DISPOSAL OF THE PACKAGING



The packaging consists of cardboard and correspondingly marked plastics that can be recycled. Make these materials available for recycling.

Information about the residual risks that remain despite the inherent safe design measures, safeguarding and complementary protective measures adopted.

Emergency Contact

In the rare case a battery is damaged & any of the contents leaks or comes into contact with a person's skin, eyes, or is ingested, follow the first aid instructions inside the battery & charger manual. Seek further medical attention immediately.



ASSEMBLY PROCEDURES

Unpacking

This product requires assembly.

- Carefully remove the product and any accessories from the box. Make sure that all items listed in the packing list are included. Refer to page 3 and 4.
- Do not discard the packing material until you have carefully inspected and ensured product is in correct operating condition.



WARNING

Do not attempt to modify this product or create accessories not recommended for use with this product. Any such alteration or modification is misuse and could result in a hazardous condition leading to possible serious personal injury.

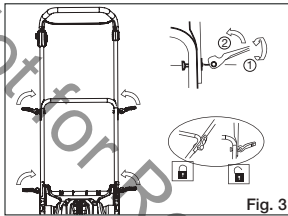
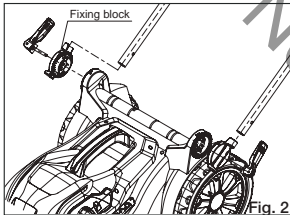
Do not insert key until assembly is complete and you are ready to operate the machine.



Unfolding & Adjusting the Handles

NOTE: Refer to Figure 2 & 3.

- Ensure batteries and safety key are removed from mower before commencing assembly.
- Slide the two fixing blocks to the end of lower handle.
- Insert the lower handle lock into the tube and fixing block. Screw the bolt in and clamp it to fix the lower handle.
- Fit the upper handle and lower handle together with handle cam lock. You can rotate and release lock to adjust the tightness of lock.



WARNING

Do not operate if handles are incorrectly installed.

Take care to avoid pinch points when folding handles.

Installing the Grass Catcher

NOTE: Refer to figure 4 (Image shown may differ from actual model).

- Ensure battery and safety key are removed from mower before commencing assembly.
- Lift the rear flap (1).
- Lift the grass catcher (2) by its handle and place under the rear flap so that the hooks on the grass catcher frame are seated into the two slots (3) on the mower.
- Release the rear flap gently.
- When installed correctly, the hooks on the grass catcher will rest securely in the slots on the handle brackets.

WARNING

Always replace damaged or worn grass catchers.

Do not operate if catcher is incorrectly installed.

Do not hold open the flap when the machine is running.

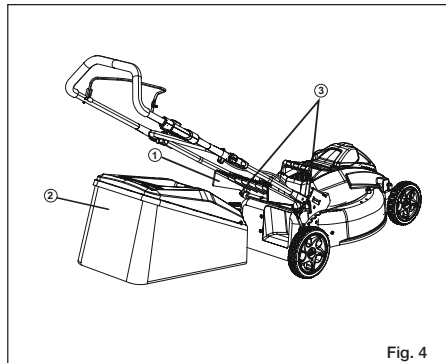


Fig. 4



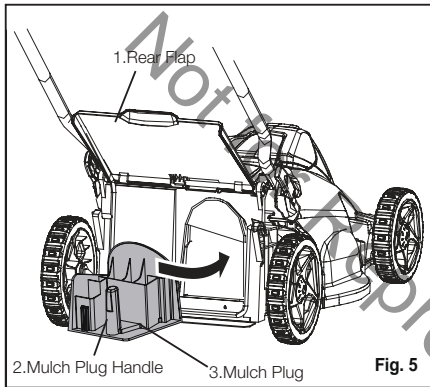
ASSEMBLY PROCEDURES

Installing & Removing the Mulch Plug

NOTE: Not included with all the models.

NOTE: Refer to figure 5 (Image shown may differ from actual model).

- Ensure battery and safety key are removed from mower before commencing assembly.
- To remove the mulching plug, lift the rear flap (1).
- Grasp the handle (2) of the mulching plug and pull the mulching plug out using the handle.
- The mulching plug (3) is inserted at an angle, so it may require some force to remove it.
- The mulching plug must be removed in order to install the grass catcher.
- The mulching plug must be re-installed when the grass catcher is removed.



WARNING

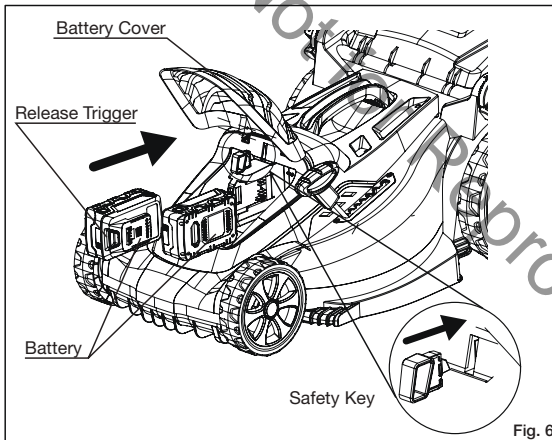
Do not allow the rear flap to slam closed, always close gently to avoid damage. Always replace rear flap and mulching plug if damaged.



Installing Twin Batteries

NOTE: Instructions for twin battery mower. Refer to figure 6.

- Lift and hold up the battery cover.
- Place the batteries in the mower. Align guided ribs on battery with grooves in the product's battery port.
- Make sure the latch on bottom of the battery snaps in place and that the battery is fully seated (will "click" into place) and secure in the mower before beginning operation.
- Insert the safety key.
- If the machine is not going to be used immediately, do not insert the safety key.
- Close the battery cover gently to avoid damage.



WARNING

Do not insert any object into the battery recess other than the battery supplied.

Do not force the battery. It should glide smoothly if inserted or released correctly.

Removing the Battery

NOTE: Refer to figure 6.

- Release the bail to stop the product.
- Remove the safety key.
- Press and hold the battery release trigger button at the bottom of the battery.
- Slide outward to remove the battery from the product.



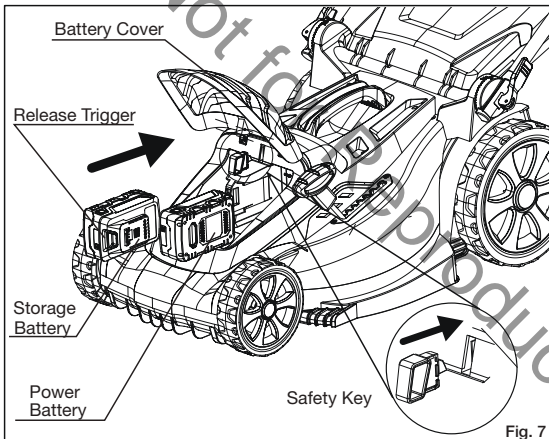
ASSEMBLY PROCEDURES

Installing Single Battery

NOTE: Instructions for single battery mower. Refer to figure 7 & 8.

NOTE: Storage location (shown in fig. 8) is to store B&S 18V battery only. Storage battery is not provided with the kit.

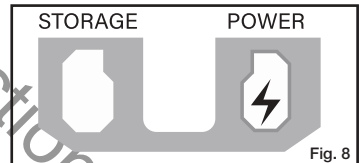
- Lift and hold up the battery cover.
- Place the battery in to the mower as per label (See fig 8), in the power port. Align guided ribs on battery with grooves in the product's battery port.
- Make sure the latch on bottom of the battery snaps in place and that the battery is fully seated (will "click" into place) and secure in the mower before beginning operation.
- Insert the safety key.
- If the machine is not going to be used immediately, do not insert the safety key.



WARNING

Do not insert any object into the battery recess other than the B&S 18V battery.

Do not force the battery. It should glide smoothly if inserted or released correctly.



Removing the Battery

NOTE: Refer to figure 7.

- Release the bail to stop the product.
- Remove the safety key.
- Press and hold the battery release trigger button at the bottom of the battery.
- Slide outward to remove the battery from the product.



Starting & Stopping

NOTE: Refer to figure 6, 7 & 8.

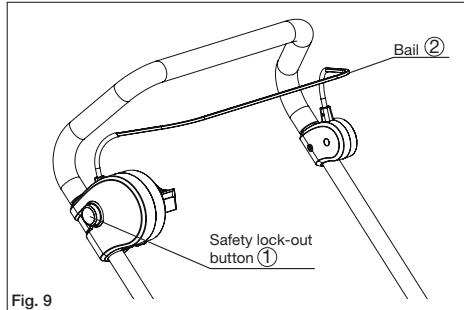
To START the Mower:

- Open the battery cover and insert the safety key into the slot. (See Fig. 6 and 7)
- Press and hold the safety lock-out button (1). (See Fig. 8)
- Pull the bail (2) upward to the handle to start the mower and release the safety lock out button with feet well away from blades.

To STOP the Mower:

- Release the bail.
- Wait for mower to completely stop, then remove safety key.

If the mower fails to stop or in emergency, remove the battery.



SOFT-START

This Mower is equipped with a “Soft-start” feature. When initially starting up, the mower will take approximately 3 seconds to get up to full speed. If the mower does not initially start: Remove the battery and check under the mower deck to ensure there is nothing obstructing the blade and that the blade can spin freely by hand. Even a small amount of grass on start up will prevent the “soft-start” from turning the mower on.

WARNING

Do not attempt to override the operation of the safety lock-out button or bail lever, do not tie or lock on the bail.

Do not leave the mower running unattended.



OPERATING INSTRUCTIONS

Battery Capacity Indicator

NOTE: Refer individual battery for exact charge capacity percentage.

NOTE: Only available with twin battery mower.

Checking the battery capacity:

Press the battery capacity indicator (BCI) button located on the battery. The lights will illuminate according to the batteries capacity level. See chart below:

Battery Charge Display	
Press to display	
Lights	Capacity %
3 Green lights	100-60
2 Green lights	60-30
1 Green Light	30-0

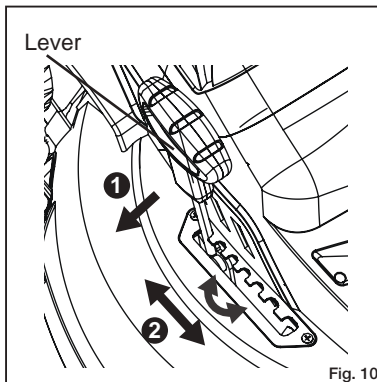


Cutting Height Adjustment

NOTE: Refer to figure 10.

NOTE: The location and appearance of the height adjustment lever may vary between different models.

Before using the mower for the first time, raise the cutting position to the height best suited for your lawn.



To adjust the blade height:

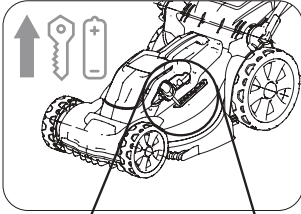
- To **ADJUST** the blade height, grasp the height adjustment lever, pull to the side and move it forward (1).
- To **LOWER OR RAISE** the blade height, move the lever as shown in Fig 10. Height of the mower can be lowered by moving the lever in forward direction and raised by moving it in backward direction (2).

WARNING

Do not adjust the height while the mower is running.



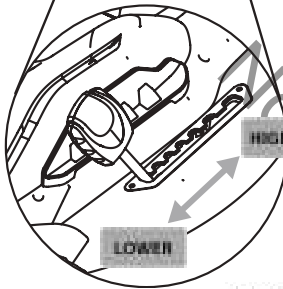
Quick Setup Guide



1 - READY

- Remove battery & key
- Check if the grass is tall or thick
- Check catcher & deck are empty of grass
- Check the battery is fully charged

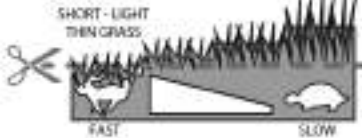
- ✗ **Don't** adjust the mower with battery or key inserted.
- ✓ Remove battery & key before adjusting the mower.
- ✗ **Don't** cut when catcher is full or if chute is blocked.
- ✓ Empty catcher prior to mowing.



2 - SET

- Increase cut height in tall or heavy grass
- Clean the catcher & deck of cut grass
- Push the mower slower in heavy grass

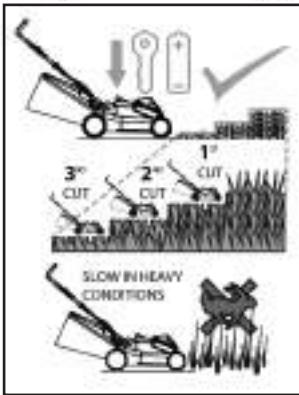
- ✗ **Don't** cut low in long, thick or wet grass.
- ✓ Adjust to cut higher in overgrown lawn.
- ✗ **Don't** force mower through thick lawn.
- ✓ Slow down if grass becomes thicker.



3 - GO

- Insert battery & key
- Try cutting grass at selected height
- Increase height & cut grass more frequently as required in long heavy grass
- If LOAD PROTECTION* stops the mower, repeat Step 1,2,3 by increasing the height pushing slower or clean grass from the catcher & deck.
- When mowing if catcher indicator flap is down, catcher is full.

- ✗ **Don't** continue cutting if mower frequently cuts out.
- ✓ Avoid frequent load protection cutouts.
- ✗ **Don't** continue if battery over heats.
- ✓ Allow the battery to cool if the battery thermal protection is activated.



The Mower has built in load sensing technology. Under certain conditions the Mower may reset due to the LOAD PROTECTION* feature.

Avoid frequently over-loading the mower as this may increase battery temperatures & turn on the Battery Thermal Protection. The Battery Thermal Protection will require the machine to be rested sufficiently to cool.



OPERATING INSTRUCTIONS

Mowing Tips

A sharp blade will greatly enhance the performance of the mower, especially when cutting high grass. Be sure to check the blade and to replace it at least once per year, as described in the Maintenance section.

- Verify that the lawn is free of stones, sticks, wires and other objects that could damage the blades or the motor. These objects could be accidentally thrown by the mower in any direction, and could cause serious personal injury to the operator and to others. In order to prevent electric shock, do not operate the mower in damp or wet conditions.
- When cutting thick grass, reduce walking speed in order to allow for a more effective cut and a proper discharge of the clippings.

WARNING

The mower is fitted with a current overload device, under heavy conditions the mower may cut out (or "stall") e.g. long, thick or moist lawns or some grass types. If this occurs, increase the cutting height in order to reduce the load or effort on the mower.

Mow across the face of slopes, never up & down. Exercise extreme caution when changing direction on slopes. Do not mow excessively steep slopes, always be sure of your footing on slopes.

Mulching Tips

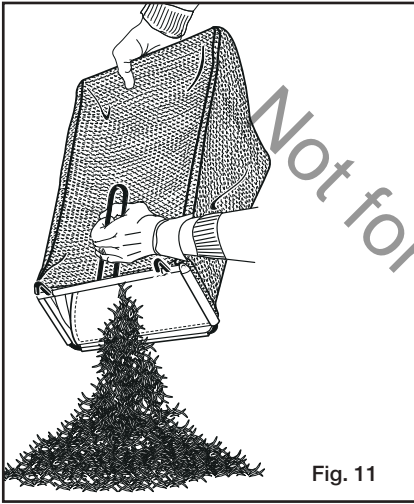
- Set mower to the highest cutting height when mowing on uneven ground or in tall weeds.
- For effective mulching, do not cut wet grass, because it tends to stick to the underside of the deck, preventing proper mulching of grass clippings. New or thick grass may require a narrower cut. The ground speed should be adjusted to the condition of the lawn. If mowing has been delayed and the grass has been allowed to grow longer than 4" (10 cm), mow the lawn twice in order to reduce the grass height to a maximum of 3 1/4" (8.3 cm).
- Walk at a steady pace. Overlap the cutting rows. Do not let the grass get too tall. If the grass gets too long, start at the highest cutting position and work down to the desired cutting height.



Emptying the Grass Catcher

NOTE: Refer to figure 11 (Image shown may differ from actual model).

- Stop mower, allow blades to completely stop, and remove battery & safety key.
- Lift the rear flap.
- Lift the grass catcher by its handle to remove from mower.
- Empty grass clippings.
- Lift the rear flap and reinstall the grass catcher as described earlier in this manual.



WARNING

- Check grass catcher frequently & replace if grass catcher is worn or damaged.
- Do not store grass in catcher. Always empty after use.
- Do not use the catcher for other purposes than collecting grass.
- Do not mow over or collect hot materials, ashes or remains from camp fires or smouldering materials.
- Allow bag to dry in wet conditions.

Battery Replacement

WARNING

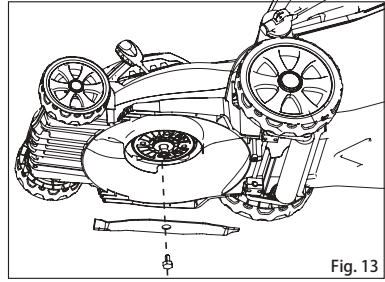
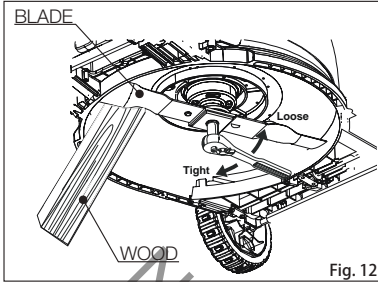
Never dispose of battery in fire or regular household trash.

Refer to Battery & Charger instruction manual for further information relating to battery and charger safety and disposal.



Blade Bar Replacement

NOTE: Refer to Fig.12, Fig.13 & Fig.14.



WARNING

Always protect hands by wearing heavy gloves and/or wrapping the cutting edges of the blade with rags and other material when performing blade maintenance. Contact with the blade could result in serious personal injury.

NOTE: Use only genuine replacement parts made and guaranteed by SPRINT. Insist on them from your parts and service dealer.

Detailed fitting instructions are printed on genuine SPRINT blade packs. Use of non-genuine blades may void your warranty, and could result in damage or injury.

WARNING

Never run mower without blades or with damaged blades.

WARNING

Never modify the blades or cutting system.



Fig. 14 (a)



Fig. 14 (b)



Blade Bar Replacement

NOTE: Check all fasteners often, always be sure mower is in safe operating condition. Only use SPRINT genuine replacement blades. Replace worn or damaged blades and bolts in sets to preserve balance.

1. Stop the mower and allow the blade to come to a complete stop.
2. Remove the battery and safety key.
3. Turn the mower on its side.
4. Wedge a block of wood between the blade and mower deck to prevent the blade from turning (Refer to Fig.12).
5. Loosen the blade bolt by turning it counterclockwise (as viewed from bottom mower) using a wrench or socket (not provided).
6. Remove the blade bolt and blade (Refer to Fig.13).
7. To install the blade locate the two mounts on the shaft sleeve. These are marked in circles in Fig.14(a). Align the blade with these two mounts.
8. Install the blade on the shaft carefully. Blade must fit onto these two mounts properly. Make sure there is no gap. Refer Fig.14(b).
9. Screw the blade bold and tighten to fix the blade. Recommended torque is 12-16 Nm.

Cleaning

WARNING

To prevent serious personal injury remove the battery and key from the mower before servicing, cleaning, or removing debris.

The underside of the mower deck should be cleaned after each use, because grass clippings, leaves, dirt, and other debris will accumulate, which will cause rust and corrosion. Remove any build-up of grass and leaves on or around the motor cover. If debris builds up on the underside of the mower during use, stop the motor, remove the battery, and then tilt the mower forward or on its side, and scrap it clean using an appropriate tool.

- Clean the unit using a damp cloth with a mild detergent.
- Do not immerse the mower or any part of it in water.
- Moisture can cause a shock hazard. Wipe off any moisture with a soft dry cloth & ensure the machine is dry before replacing the battery & key.
- Use a small brush or vacuum cleaner to clean the air vents on the product
- Keep the air vents free of obstructions.

Do not use solvents, strong detergents, certain aromatic oils such as pine and lemon when cleaning plastic parts. Chemicals can damage, weaken or destroy plastic component which may result in serious personal injury.



MAINTENANCE & CARE

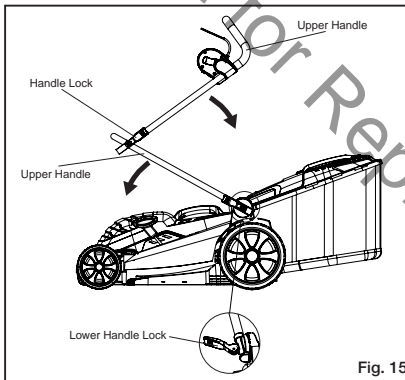
Storing

The following steps should be taken in order to prepare the machine for storage.

- Clean the machine as described in the previous section.
- Inspect the blade, and replace it or sharpen it, if required (refer to the Maintenance section).
- Store the mower in a dry, clean location. Do not store it next to corrosive materials, such as fertilizer or fuel.
- Store the mower indoors, in a cool, dry place, out of the reach of children.

The handle may be folded away completely for storage. (See Figure 15)

- Release the handle locks on the sides of the handle to unlock, and fold the upper handle down.
- Release the lower handle locks to unlock and disengage the cams from the mounting bracket. Fold the lower handle forward. Make sure not to bend or kink the power cord.
- Remove the battery and store it in a cool dry location.



Service

Servicing requires extreme care and knowledge and should be performed only by a qualified service technician. For service we suggest you return the product to your nearest Authorized service centre for repair. When servicing, use only genuine replacement parts.

- Keep the handles dry, clean, and free of oil and grease.
- In order to reduce the risk of fire, keep the motor free of grass, leaves, and debris build-up.
- Check the blade and motor mounting bolts for proper tightness frequently. Visually inspect blade for damage (e.g., bent, cracked, or worn).
- For best and safest performance, maintain the mower with care. Keep the mower blade sharp and clean. Mower blades are sharp, and can cut. Wrap the blades or wear gloves, and use extra caution when servicing.
- Keep all nuts, bolts, and screws tight in order to be sure that the equipment is in safe working condition.



Service Cont'd

- Never tamper with safety devices. Check them regularly for proper operation.

NOTE: Refer to warranty card supplied with this product for service contact details.

WARNING

Do not at any time let brake fluids, gasoline, petroleum based products, penetrating oils, etc., to come in contact with plastic parts. Chemicals can damage, weaken, or destroy plastic which may result in serious personal injury.

WARNING

Do not lubricate any of the wheel components. Lubrication may cause the wheel components to fail during use, which could result in serious personal injury to the operator and/or mower or property damage.

Maintenance Chart

Refer to the following table for routine maintenance.

Features	Requirements	Before use	After use	Recharging	Weekly	Monthly	If faulty	If damaged	As required
Lawnmower	Visual inspection.	●		●					
Battery	Check operation and for damage.	●	●						
Cutting system (Blades)	Inspect and check assembly	●							
	Replace						●	●	
Rear flap	Inspect and check assembly	●							●
Chassis	Check for buildup of grass		●						
	Clean		●						
	Replace							●	
All accessible fasteners	Check	●							
	Tighten								●
Motor mounting bolts	Check and retighten					●			
Mulching Plug (If available)	Inspect and check assembly	●							●
Grasscatcher	Check	●							
	Clean		●						
	Replace							●	



TROUBLESHOOTING

Troubleshooting

PROBLEM	POSSIBLE CAUSE	SOLUTION
The mower does not start.	The battery is not charged.	Charge the battery.
	The safety key is defective.	Replace the safety key.
	Grass wrapped on blades, grass catcher jammed.	Remove battery, check under deck & grass catcher for clogged grass.
	The battery is not fitted correctly.	Check fitment of battery, ensure retaining tab is engaged correctly.
	Battery may require service or replacement. Safety key is not installed.	Replace battery. Insert the safety key.
The mower cuts the grass unevenly.	The lawn is rough or uneven.	Check the mowing area.
	The cutting height is not set properly.	Increase / decrease the cutting height.
The mower does not mulch properly.	Wet grass clippings are sticking to the underside of the deck.	Wait until the grass dries before mowing.
	The mulch plug is missing.	Install the mulch plug.
The mower is hard to push.	The grass is too tall, or the cutting height is too low.	Raise the cutting height.
	The rear of the mower housing and the blade are dragging in thick grass.	Empty the grass clippings from the grass catcher.
The mower is excessively noisy and vibrates.	The motor shaft is bent.	Stop the motor, and inspect for damage.
	The blade is unbalanced.	Repair before restarting. If vibration persists, contact authorized service centre.
The mower cuts out ("stalls") when cutting grass.	The mower blade is overloaded due to mowing conditions, e.g. long, thick, moist grass or the grass type.	Stop the motor, increase the cutting height and try to cut again. Wait for the grass to dry and attempt mowing again.
	The mower grass catcher is full / catcher outlet is blocked / clogged grass under deck	Empty catcher bag & clear catcher outlet, clean under the deck, increase height and try again.

Technical Specifications

PRODUCT SPECIFICATIONS			
Description	Twin 18V 37cm Lawn Mower	Single 18V 37cm Lawn Mower	Twin 18V 44cm Lawn Mower
Deck Type	Plastic	Plastic	Plastic
Deck Size	39cm	39cm	46cm
Front Wheel Size	165mm	165mm	165mm
Rear Wheel Size	250mm	250mm	250mm
Wheel Bearing	Metal Bushing	Metal Bushing	Metal Bushing
Catcher Material	Hybrid (Fabric + Plastic)	Hybrid (Fabric + Plastic)	Hybrid (Fabric + Plastic)
Catcher Capacity	40L	40L	50L
Mulch	Not Available	Not Available	Not Available
Push / Self Propelled	Push	Push	Push
Blade Type	Blade Bar	Blade Bar	Blade Bar
Handle Type	Ergonomic	Ergonomic	Ergonomic
Height Adjustment Positions	7	7	7
Height Adjustment Range	25-75mm	25-75mm	25-75mm
Motor Type (brushless/brushed)	BRUSHLESS	BRUSHLESS	BRUSHLESS
Motor Specification	102/25 - 36V DC	102/20 - 18V DC	102/25 - 36V DC
Motor Shaft Diameter	17mm	17mm	17mm
Product Weight (No Battery)	12.5 Kg	12.2 Kg	14 Kg
Start System	Soft Start	Soft Start	Soft Start
Safety Mechanisms	Yes 20A	Yes 20A	Yes 20A
Max Motor Speed	3500	3700	3700
Run Motor Speed	3200	3300	3400
Sound Pressure Level	Lpa: 78dB (A), K: 3dB (A)	Lpa: 78.2dB (A), K: 3dB (A)	Lpa: 78.1dB (A), K: 3dB (A)
Sound Power Level (Measured)	Lwa: 92dB (A)	Lwa: 87dB (A)	Lwa: 93dB (A)
Sound Power Level (Guaranteed)	Lwa: 94dB (A)	Lwa: 90dB (A)	Lwa: 95dB (A)
Vibration Total Value (Max)	ah: 3.12 m/s ² , K: 1.5 m/s ²	ah: 1.22 m/s ² , K: 1.5 m/s ²	ah: 3.75 m/s ² , K: 1.5 m/s ²

A warning:

- That the declared vibration total value has been measured in accordance with a standard test method and may be used for comparing one tool with another;
- That the declared vibration total value may also be used in a preliminary assessment of exposure.
- That the vibration emission during actual use of the power tool can differ from the declared total value depending on the ways in which the tool is used; and
- Of the need to identify safety measures to protect the operator that are based on an estimation of exposure in the actual conditions of use (taking account of all parts of the operating cycle such as the times when the tool is switched off and when it is running idle in addition to the trigger time).