

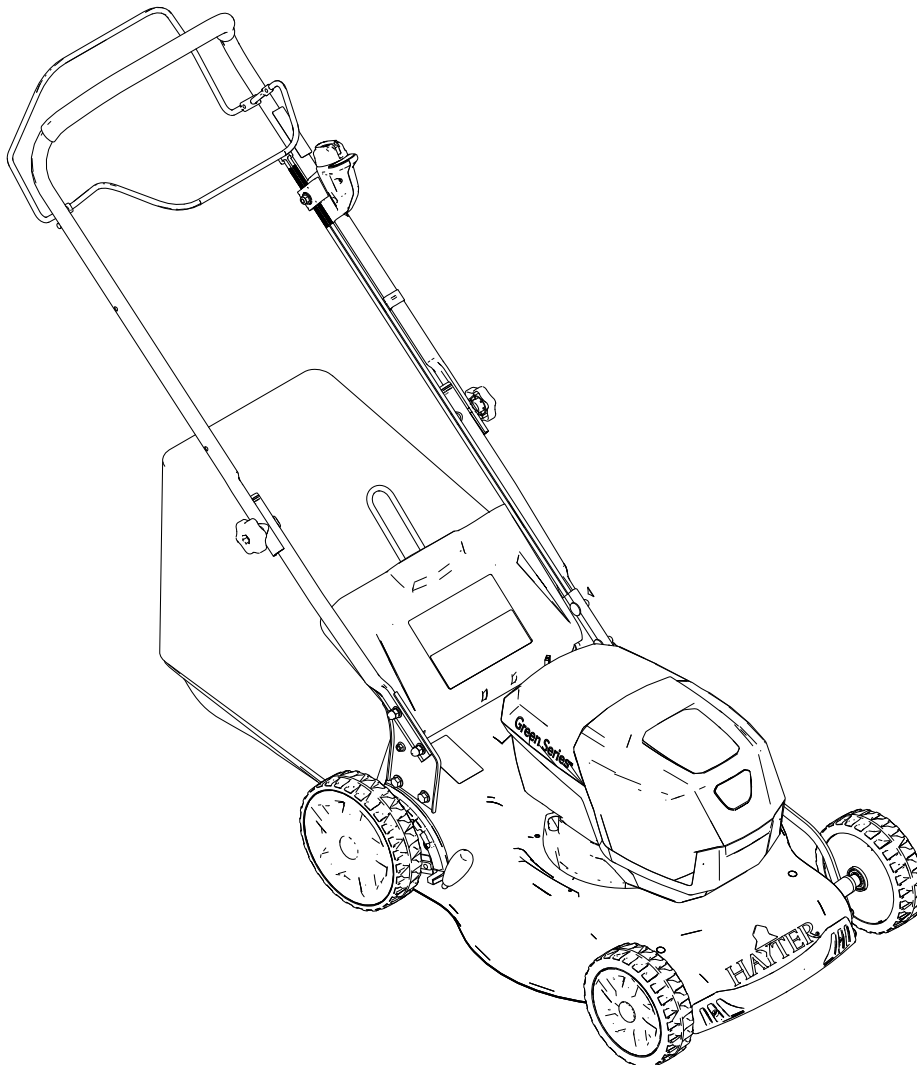


HAYTER[®]
MAKERS OF THE FINEST MOWERS

Operator's Manual

46cm Lawn mower

Model No. CODE613A - Serial No. 32000101 and Up



THIS PAGE HAS BEEN LEFT INTENTIONALLY BLANK

Contents

Introduction	5
Safety	5 - 7
- Training	5
- Preparation	5 - 6
- Operation	6 - 7
- Maintenance and Storage	7
Safety and Instructional Decals	8 - 9
Setup	10
- Mounting the Battery Charger (Optional)	10
- Assembling the Handle	10 - 11
- Inserting the Electric-Start Button	11
- Assembling the Grass bag	11
Product Overview	12
- Grass Bag Assembly	12
- Specifications	12
- Appropriate Temperature Ranges	12
Operation	13 - 17
- Before Operation	13
- Installing the Battery Pack	13
- Adjusting the Cutting Height	13
- During Operation	14 - 15
- Starting the Machine	14
- Using the Self-Propel Lever	14
- Bagging the Grass Clippings	14
- Installing the Grass bag	14
- Removing the Grass bag	14
- Rear-Discharging the Grass Clippings	14
- Shutting off the Machine	14
- Removing the Battery Pack	15
- Setting the Power-Boost / Boost Max Modes	15
- Operating Tips	15
- General Mowing Tips	15
- Cutting Grass	15
- Cutting Leaves	15
- After Operation	16 - 17

- Charging the Battery Pack	16
- Cleaning under the Machine	16
- Folding the Handle	17
Maintenance	17 - 19
- Replacing the Blade	17 - 18
- Lubricating the Machine	18
- Adjusting the Self-Propel Lever	18
- Prepare the Battery Pack for Recycling	18
- Storage	19
Troubleshooting	20 - 21
Warranty	22
Privacy Policy	23
Blank Page	24

Introduction

This rotary-blade, walk-behind lawn mower is intended to be used by residential homeowners. It is designed primarily for cutting grass on well-maintained lawns on residential properties. It is not designed for cutting brush or for agricultural uses. It is designed to use lithium-ion battery pack CODE102A, CODE106A or CODE107A. Using these products for purposes other than their intended use could prove dangerous to you and bystanders.

CODE613A does not include a battery or a charger. These are available to purchase from your local Hayter sales dealer.

Read this information carefully to learn how to operate and maintain your product properly and to avoid injury and product damage. You are responsible for operating the product properly and safely.

Visit www.hayter.co.uk for more information, including safety tips, training materials, accessory information, help finding a dealer, or to register your product.

Whenever you need service, genuine Hayter parts, or additional information, contact an Authorised Service Dealer or Hayter Customer Service and have the model and serial numbers of your product ready.

Figure 1 identifies the location of the model and serial numbers on the product.

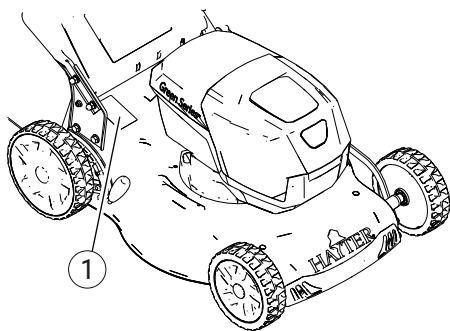
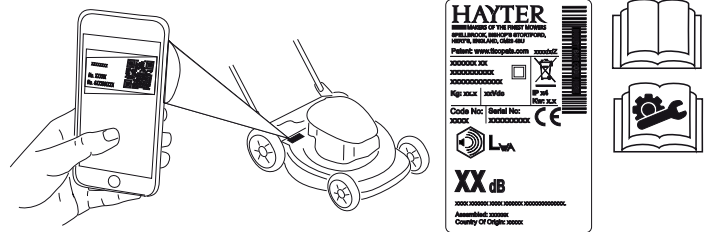


Figure 1

1.	Model and serial number location
----	----------------------------------

Important: With your mobile device, you can scan the QR code on the serial number decal (if equipped) to access warranty, parts, and other product information.



Safety

IMPORTANT SAFETY INSTRUCTIONS

This machine has been designed in accordance with EN ISO 5395.

WARNING—When using an electric machine, always read and follow basic safety warnings and instructions to reduce the risk of fire, electric shock, or injury, including the following:

Training

1. The operator of the machine is responsible for any accidents or hazards occurring to others or their property.
2. Do not allow children to use or play with the machine, battery pack, or the battery charger; local regulations may restrict the age of the operator.
3. Do not allow people with reduced physical, sensory, or mental capabilities or without experience and knowledge to use the machine, battery pack, or battery charger unless they receive instruction or supervision on using it safely and understand the hazards involved while using it.
4. Before using the machine, battery pack, and battery charger, read all the instructions and cautionary markings on these products.
5. Become familiar with the controls and proper use of the machine, battery pack, and battery charger.

Preparation

1. Keep bystanders, especially children and pets, out of the operating area.
2. Do not operate the machine without all guards and safety devices, such as deflectors and grass

catchers, in place and functioning properly on the machine.

3. Inspect the area where you will use the machine and remove all objects that could interfere with the operation of the machine or that the machine could throw.
4. Before using the machine, ensure that the blade, blade bolt, and blade assembly are not worn or damaged. Replace any damaged or unreadable labels.
5. Use only the battery pack specified by Hayter. Using other accessories and attachments may increase the risk of injury and fire.
6. Plugging the battery charger into an outlet that is not 100 to 240 V can cause a fire or electric shock. Do not plug the battery charger into an outlet other than 100 to 240 V. For a different style of connection, use an attachment plug adapter of the proper configuration for the power outlet if needed.
7. Do not use a damaged or modified battery pack or battery charger, which may exhibit unpredictable behaviour that results in fire, explosion, or risk of injury.
8. If the supply cord to the battery charger is damaged, contact an Authorised Service Dealer to replace it.
9. Do not use non-rechargeable batteries.
10. Charge the battery pack with only the battery charger specified by Hayter. A charger suitable for 1 type of battery pack may create a risk of fire when used with another battery pack.
11. Charge the battery pack in a well-ventilated area only.
12. Do not expose a battery pack or battery charger to fire or to temperatures higher than 68°C (154°F).
13. Follow all charging instructions and do not charge the battery pack outside of the temperature range specified in the instructions. Otherwise, you may damage the battery pack and increase the risk of fire.
14. Dress properly – wear appropriate clothing, including eye protection; long trousers; substantial, slip-resistant footwear (not barefoot or wearing sandals); and hearing protection. Tie back long hair and do not wear loose jewellery that can get caught in moving parts. Wear a dust mask in dusty operating conditions.

Operation

1. Contact with the moving blade will cause serious injury. Keep your hands and feet away from the cutting area and all moving parts of the machine. Keep clear of any discharge opening.
2. Using this machine for purposes other than its intended use could prove dangerous to you and bystanders.
3. Disengage the self-propel lever before starting the machine.
4. Do not tilt the appliance when starting the motor.
5. Prevent unintentional starting—Ensure that the electric-start button is removed from the ignition before connecting the battery pack and handling the machine.
6. Use your full attention while operating the machine. Do not engage in any activity that causes distractions; otherwise, injury or property damage may occur.
7. Stop the machine, remove the electric-start button, remove the battery pack from the machine, and wait for all movement to stop before adjusting, servicing, cleaning, or storing the machine.
8. Remove the battery pack and electric-start button from the machine whenever you leave it unattended or before changing accessories.
9. Do not force the machine—Allow the machine to do the job better and safer at the rate for which it was designed.
10. Stay alert—Watch what you are doing and use common sense when operating the machine. Do not use the machine while ill, tired, or under the influence of alcohol or drugs.
11. Operate the machine only in good visibility and appropriate weather conditions. Do not operate the machine when there is the risk of lightning.
12. Use extreme caution when reversing or pulling the machine toward you.
13. Keep proper footing and balance at all times, especially on slopes. Mow across the face of slopes, never up and down. Use extreme caution when changing directions on slopes. Do not mow exceedingly steep slopes. Walk, never run with the machine.
14. Do not direct the discharge material toward anyone. Avoid discharging material against a wall or obstruction; material may ricochet toward you. Stop the blade(s) when crossing gravel

surfaces.

15. Watch for holes, ruts, bumps, rocks, or other hidden objects. Uneven terrain could cause you to lose your balance or footing.
16. Wet grass or leaves can cause serious injury if you slip and contact the blade. Avoid mowing in wet conditions or when it is raining.
17. If the machine strikes an object or starts to vibrate, immediately shut off the machine, remove the electric-start button, remove the battery pack, and wait for all movement to stop before examining the machine for damage. Make all necessary repairs before resuming operation.
18. Stop the machine and remove the electric-start button before loading the machine for hauling.
19. Under abusive conditions, the battery pack may eject liquid; avoid contact. If you accidentally come into contact with the liquid, flush with water. If the liquid contacts your eyes, seek medical help. Liquid ejected from the battery pack may cause irritation or burns.

Maintenance and Storage

1. Stop the machine, remove the electric-start button, remove the battery pack from the machine, and wait for all movement to stop before adjusting, servicing, cleaning, or storing the machine.
2. Do not attempt to repair the machine except as indicated in the instructions. Have an Authorised Service Dealer perform service on the machine using identical replacement parts.
3. Wear gloves and eye protection when servicing the machine.
4. Sharpen a dull blade on both sides to maintain balance. Clean the blade and ensure that it is balanced.
5. Replace the blade if it is bent, worn, or cracked. An unbalanced blade causes vibration, which could damage the motor or cause personal injury.
6. When servicing the blade, be aware that the blade can still move even though the power source is off.
7. Check the grass collection bag frequently for deterioration or wear, and replace a worn bag with a Hayter [replacement] bag.
8. For best performance, use only genuine Hayter replacement parts and accessories. Other

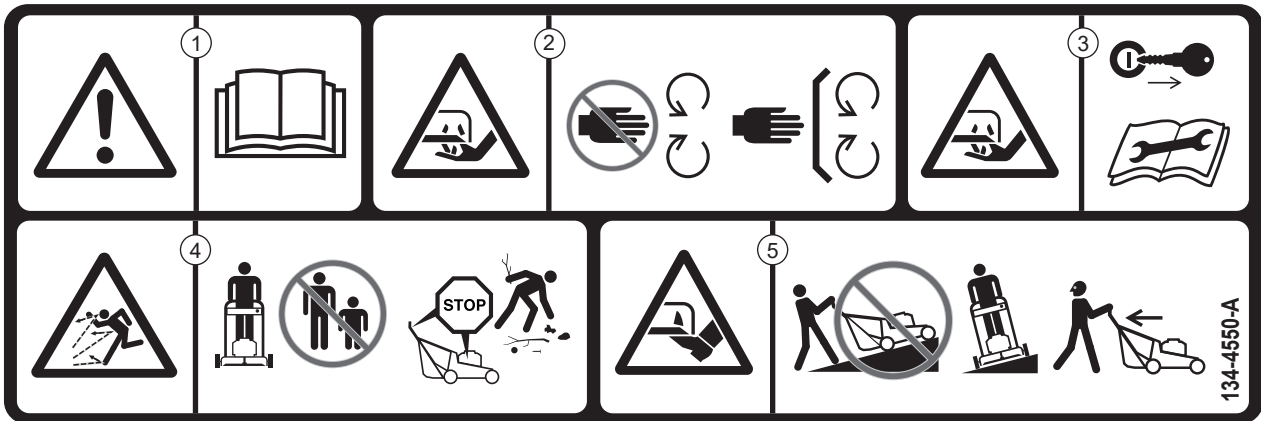
replacement parts and accessories could be dangerous, and such use could void the product warranty.

9. Maintain the machine—Keep cutting edges sharp and clean for the best and safest performance. Keep handles dry, clean, and free from oil and grease. Keep guards in place and in working order. Keep blades sharp. Use identical replacement blades only.
10. Check the machine for damaged parts—If there are damaged guards or other parts, determine whether the machine will operate properly. Check for misaligned and binding moving parts, broken parts, mounting, and any other condition that may affect its operation. Unless indicated in the instructions, have an Authorised Service Dealer repair or replace a damaged guard or part.
11. When the battery pack is not in use, keep it away from metal objects such as paper clips, coins, keys, nails, and screws that can make a connection from 1 terminal to another. Shorting the battery terminals may cause burns or a fire.
12. Check the blade and motor mounting bolts frequently for tightness.
13. When you are not using the machine, store it indoors in a dry, secure place out of the reach of children.
14. CAUTION—A mistreated battery pack may present a risk of fire or chemical burn. Do not disassemble the battery pack. Do not heat the battery pack above 68°C (154°F) or incinerate it. Replace the battery pack with a genuine Hayter battery pack only; using another type of battery pack may cause a fire or explosion. Keep battery packs out of the reach of children and in the original packaging until you are ready to use them.
15. Do not dispose of the battery in a fire. The cell may explode. Check with local codes for possible special disposal instructions.

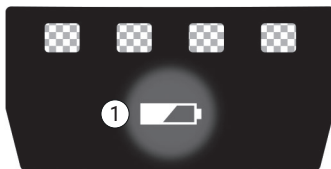
SAVE THESE INSTRUCTIONS

Safety and Instructional Decals

Safety decals and instructions are easily visible to the operator and are located near any area of potential danger. Replace any decal that is damaged or missing.



1.	Warning—read the Operator's Manual.	4.	Thrown object hazard—keep bystanders away; shut off the motor and wait for all moving parts to stop before leaving the machine; pick up debris before mowing.
2.	Cutting/dismemberment hazard of the hand, mower blade—stay away from moving parts; keep all guards and shields in place.	5.	Cutting/dismemberment hazard of the foot, mower blade—do not mow up or down slopes; only mow across slopes; look behind you when mowing in reverse.
3.	Cutting/dismemberment hazard of the hand, mower blade—remove the button and read the Operator's Manual before performing maintenance.		



137-9461

1.	Battery charge status
----	-----------------------



111-9937

1.	Easy-wash port
----	----------------



137-4691

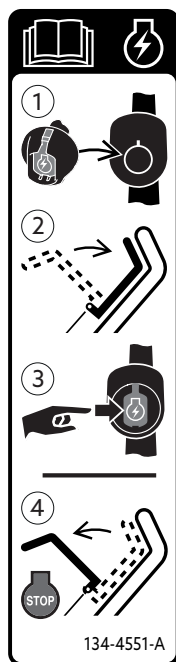
1.	'Eco' setting
2.	'Max' setting



134-4217

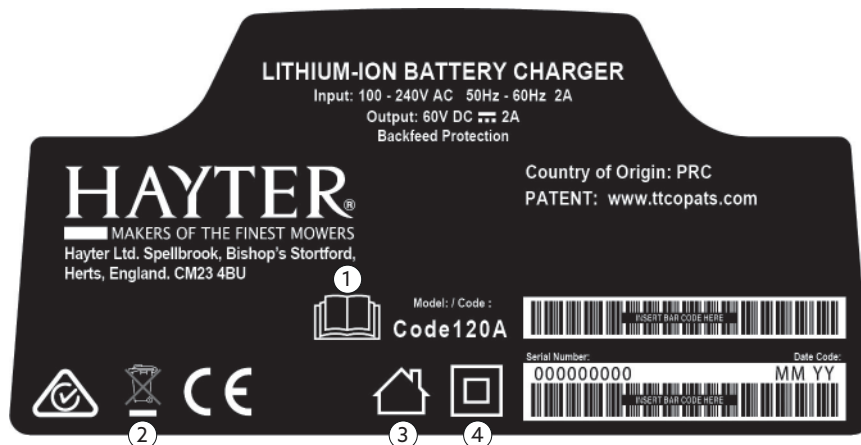
1.	The battery pack is charging.	3.	The battery pack is over or under the appropriate temperature range.
2.	The battery pack is fully charged.	4.	Battery pack charging fault

Safety and Instructional Decals



134-4551

1.	Electric-start button & electric starter
2.	Blade control bar - engage
3.	Electric-start button
4.	Blade control bar - disengage



134-4213

1.	Read the Operator's Manual.	3.	For indoor use.
2.	Do not discard.	4.	Double insulated.

Setup

Note: The battery pack is not fully charged when it is purchased. Before using the machine for the first time, refer to Charging the Battery Pack.

Mounting the Battery Charger (Optional)

Parts needed for this procedure:

1.	Mounting hardware (not included)
----	----------------------------------

If desired, mount the battery charger securely on a wall using the wall-mount key holes on the back of the charger.

Mount it indoors (such as a garage or other dry place), near a power outlet, and out of the reach of children.

Refer to Figure 2 for assistance in mounting the charger.

Slide the charger over the appropriately positioned hardware to secure the charger in place (hardware not included).

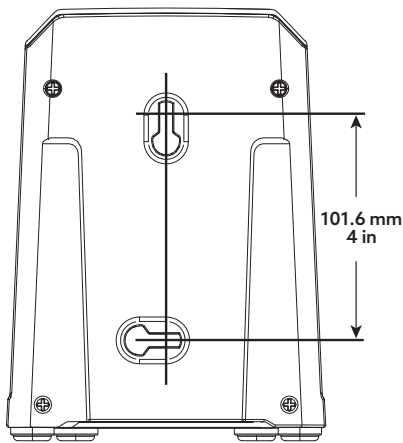


Figure 2

Assembling the Handle

No Parts Required

1. Attach the lower handle to the mower housing with 4 bolts, 4 flat washers, 4 split washers, and 4 nuts (Figure 3).

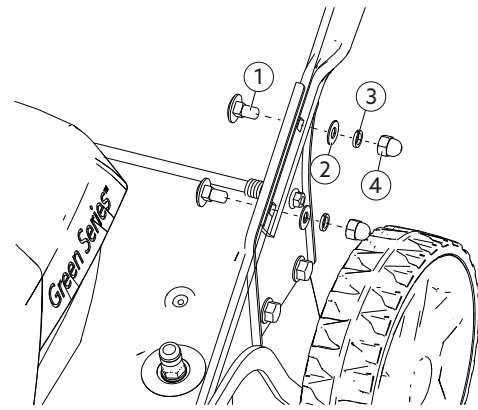


Figure 3

1.	Bolt (4)	3.	Split washer (4)
2.	Flat washer (4)	4.	Nut (4)

2. Attach the upper handle to the lower handle using 2 handle knobs, 2 curved washers, and 2 bolts. Tighten the handle knobs securely by hand (Figure 4).

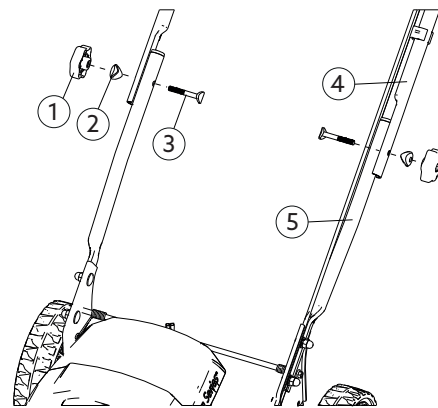


Figure 4

1.	Handle knob (2)	4.	Upper handle
2.	Curved washer (2)	5.	Lower handle
3.	Bolt (2)		

3. Insert the cables into the cable clamp and attach the cable clip to the handle (Figure 5).

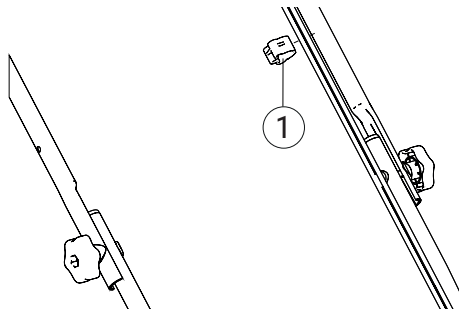


Figure 5

1.	Cable clip
----	------------

Inserting the Electric-Start Button

Remove the electric-start button from the plastic parts bag and insert it into the electric starter (Figure 6).

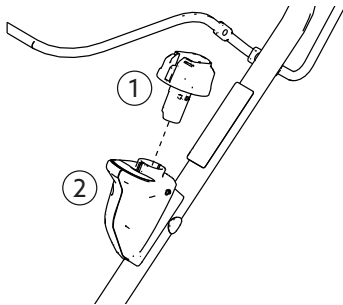


Figure 6

1.	Electric-start button
2.	Electric starter

Assembling the Grass bag

1. Slide the grass bag frame (1) into the grass bag. (Figure 7).
2. Position all 6 grass bag clips (2) over the grass bag frame. (Figure 7).

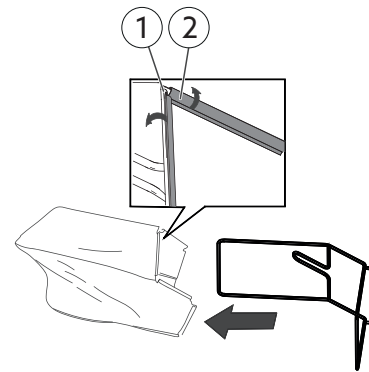


Figure 7

1.	Grass Bag Frame
2.	Grass Bag Clip

Product Overview

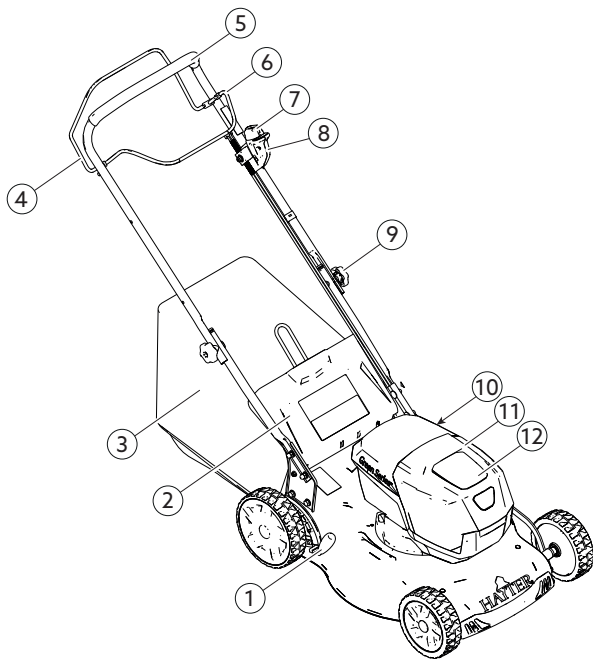


Figure 8

1.	Height of Cut Lever
2.	Rear Deflector
3.	Grass Bag Assembly
4.	Self-Propel Lever
5.	Handle
6.	Blade Control Bar
7.	Electric-Start Button
8.	Electric Starter
9.	Handle Knob
10.	Easy Wash Port (Not Shown)
11.	Green Series Motor
12.	Battery Compartment

Grass Bag Assembly

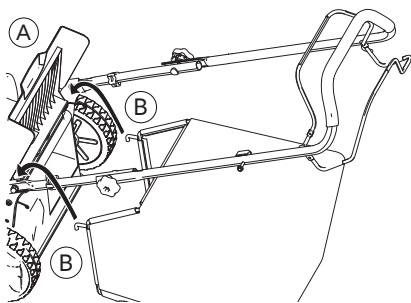


Figure 9

Specifications

Model	Weight* kg	Length mm	Width mm	Cutting Width mm	Height mm
CODE613A	28.3 kg	1400	530	460	1050

* Without battery

Appropriate Temperature Ranges

Charge/store the battery pack at	5°C (41°F) to 40°C (104°F)*
Use the battery pack at	-30°C (-22°F) to 49°C (120°F)*
Use the machine at	0°C (32°F) to 49°C (120°F)*

*Charging time will increase if you do not charge the battery pack within this range.

Store the machine, battery pack, and battery charger in an enclosed clean, dry area. Figure 10.

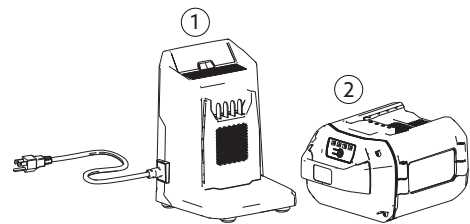


Figure 10

1.	Battery charger
2.	Battery pack CODE106A

Operation

Note: Determine the left and right sides of the machine from the normal operating position.

Before Operation

Installing the Battery Pack

Important: Operate the battery pack only in temperatures that are within the appropriate range; refer to Specifications.

1. Make sure that the vents on the battery are clear of any dust and debris.
2. Lift up the battery compartment lid (Figure 11A).
3. Line up the cavity in the battery pack with the tongue on the machine and slide the battery pack into the compartment until it locks into place (Figure 11B).
4. Close the battery compartment lid (Figure 11C).

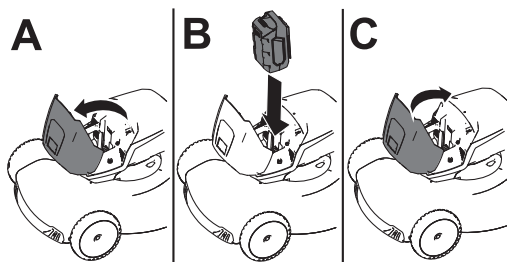


Figure 11

Adjusting the Cutting Height

WARNING: Adjusting the cutting height may bring you into contact with the moving blade, causing serious injury.

- Shut off the motor and wait for all moving parts to stop.
- Do not put your fingers under the housing when adjusting the cutting height.

There are 7 cutting-height settings from 25 to 70 mm. Adjust the cutting height as desired. Figure 12.

To adjust the cutting height, disengage the lever, raise or lower the machine, and then engage the lever. Figure 13.

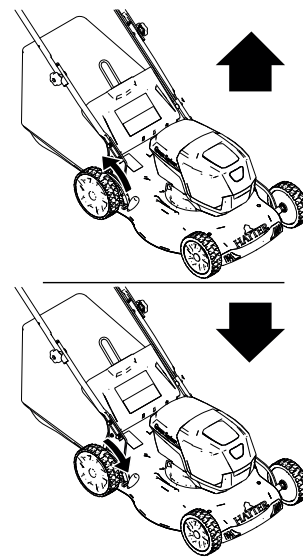


Figure 12

The cutting height positions are shown in Figure 13.

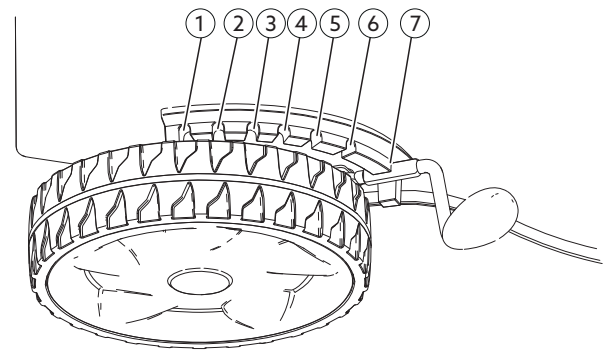


Figure 13

1.	70.0 mm	5.	40.0 mm
2.	62.5 mm	6.	32.5 mm
3.	55.0 mm	7.	25.0 mm
4.	47.5 mm		

During Operation

Starting the Machine

1. Ensure that the battery pack is installed in the machine; refer to Installing the Battery Pack.
2. Insert the electric-start button into the electric starter switch (Figure 14A).
3. Squeeze the blade-control bar and hold it to the handle (Figure 14B).
4. Press the electric-start button and keep it pressed until the motor starts (Figure 14C).

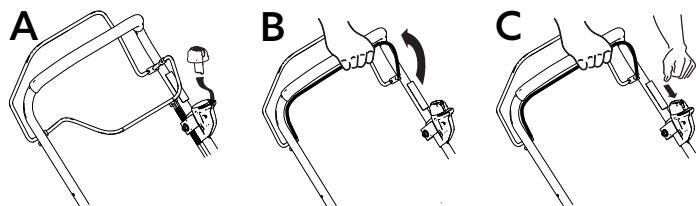


Figure 14

Using the Self-Propel Lever

To operate the self-propel drive, squeeze the self-propel lever (Figure 15) toward the handle and hold it.

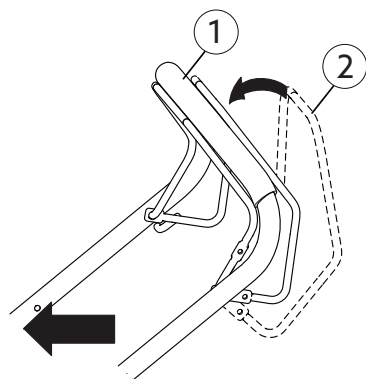


Figure 15

1.	Blade control bar
2.	Self-propel lever

To disengage the self-propel drive, release the self-propel lever.

Bagging the Grass Clippings

Use the grass bag when you want to collect grass and leaf clippings from the lawn.

Installing the Grass Bag

1. If necessary, assemble the grass bag; refer to Figure 7 Assembling the Grass Bag.
2. Raise and hold up the rear deflector (Figure 16A).

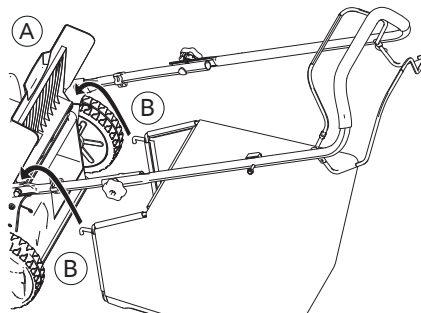


Figure 16

3. Install the grass bag, ensuring that the pins on the bag rest in the notches on the handle (Figure 16B).
4. Lower the rear deflector.

Removing the Grass Bag

1. To remove the bag, reverse the steps in Installing the Grass Bag.

Rear-Discharging the Grass Clippings

1. If the grass bag is on the machine, remove it before rear-discharging the clippings; refer to Removing the Grass Bag.

Shutting off the Machine

1. Release the blade-control bar (Figure 17 A).
2. Remove the electric-start button from the electric starter (Figure 17B).
3. Remove the battery pack; refer to Removing the Battery Pack from the Machine.

Note: Whenever you are not using the machine, remove the battery pack.

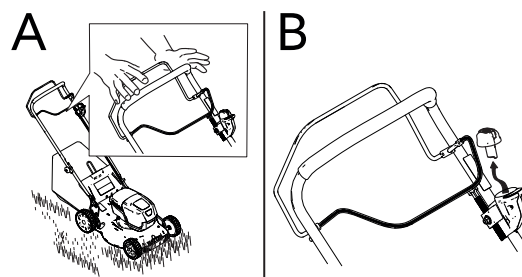


Figure 17

Removing the Battery Pack

1. Lift up the battery compartment lid.
2. Press the battery-pack latch to release the battery pack and remove the battery pack.
3. Close the battery compartment lid.

Power-Boost / Boost-Max Modes

Note: This machine has 2 speed settings, 'AUTO' and 'Max'.

The Power-Boost / Boost Max feature automatically adjusts power to suit mowing conditions, increasing and decreasing blade speed when necessary.

Set the control switch to the 'AUTO' position to benefit from the most efficient use of battery power. Refer to Figure 17.

Switch to 'Max' mode to engage Boost-Max. This mode sets the blade to a constant maximum speed, ideal for tougher conditions but reduces the expected battery power. Figure 18.



Figure 18

1.	AUTO speed
2.	Max speed

The 'AUTO' mode automatically adjusts forward speeds 1.9 - 2.2 mph (3.05 - 3.54 kph).

The 'Max' mode forward speed is fixed to the maximum setting of 2.2 mph (3.54 kph).

Note: Running the machine permanently in 'Max' mode will reduce the expected battery run time.

Operating Tips

General Mowing Tips

- Avoid striking solid objects with the blade. Never deliberately mow over any object.

- For best performance, install a new blade before the cutting season begins.
- Replace the blade when necessary with a Hayter replacement blade.

Cutting Grass

Cut only about a third of the grass blade at a time. For improved runtime, cut grass at a higher height of cut.

- Do not cut below 51 mm (2 inches) unless the grass is sparse or it is late fall when grass growth begins to slow down.
- When cutting grass over 15 cm (6 inches) tall, mow at the highest cutting height setting and walk slower; then mow again at a lower setting for the best lawn appearance. If the grass is too long, the machine may plug and cause the motor to stall.
- Wet grass and leaves tend to clump on the yard and can cause the machine to plug or the motor to stall. Avoid mowing in wet conditions.
- Be aware of a potential fire hazard in very dry conditions, follow all local fire warnings, and keep the machine free of dry grass and leaf debris.
- Alternate the mowing direction. This helps disperse the clippings over the lawn for even fertilisation.
- If the finished lawn appearance is unsatisfactory, try 1 or more of the following:
 - Replace the blade or have it sharpened.
 - Walk at a slower pace while mowing.
 - Raise the cutting height on your machine.
 - Cut the grass more frequently.
 - Overlap cutting swaths instead of cutting a full swath with each pass.

Cutting Leaves

- After cutting the lawn, ensure that half of the lawn shows through the cut leaf cover. You may need to make more than a single pass over the leaves.
- If there are more than 13 cm (5 inches) of leaves on the lawn, mow at a higher cutting height and then again at the desired cutting height.
- Slow down your mowing speed if the machine does not cut the leaves finely enough.

After Operation

Charging the Battery Pack

Important: The battery pack is not fully charged when you purchase it. Before using the tool for the first time, place the battery pack in the charger and charge it until the LED display indicates the battery pack is fully charged. Read all safety precautions.

Important: Charge the battery pack only in temperatures that are within the appropriate range; refer to Specifications.

Note: At any time, press the battery-charge-indicator button on the battery pack to display the current charge (LED indicators).

1. Make sure that the vents on the battery are clear of any dust and debris.

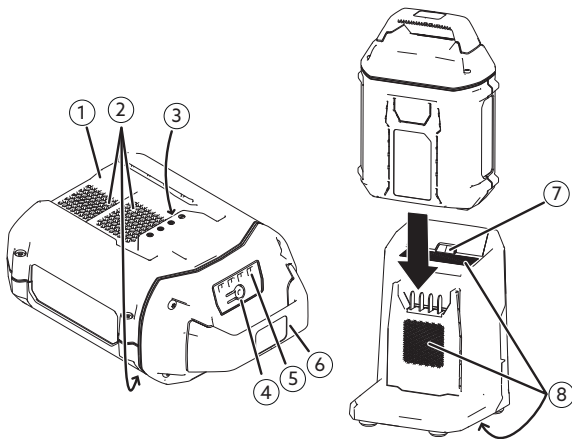


Figure 19

1.	Battery pack cavity	5.	LED indicators (current charge)
2.	Battery pack venting areas	6.	Handle
3.	Battery pack terminals	7.	Charger LED indicator light
4.	Battery-charge-indicator button	8.	Charger venting areas

2. Line up the cavity in the battery pack (Figure 19) with the tongue on the charger.
3. Slide the battery pack into the charger until it is fully seated (Figure 19).
4. To remove the battery pack, slide the battery backward out of the charger.
5. Refer to the following table to interpret the LED

indicator light on the battery charger.

Indicator light	Indicates
Off	No battery pack inserted
Green blinking	Battery pack is charging
Green	Battery pack is charged
Red	Battery pack and/or battery charger is over or under the appropriate temperature range
Red blinking	Battery pack charging fault*

*Refer to Troubleshooting for more information.

Cleaning under the Machine

Service Interval: Before each use or daily.

For best results, clean the machine soon after you have completed mowing, using the easy-wash port.

1. Move the machine onto a flat paved surface.
2. Shut off the motor and wait for all moving parts to stop before leaving the operating position.
3. Lower the machine to its lowest cutting-height setting. Refer to Adjusting the Cutting Height.
4. Wash out the area under the rear deflector where the clippings go from the underside of the machine to the grass bag.
5. Attach a garden hose that is connected to a water supply to the easy-wash port (Figure 20).

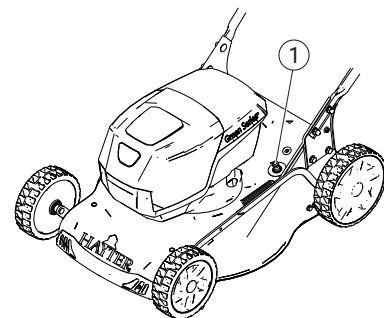


Figure 20

1.	Easy-wash port
----	----------------

6. Turn the water on.
7. Start the motor and run it until the clippings no longer come out from under the machine.
8. Shut off the motor.
9. Shut off the water and disconnect the hose from the machine.
10. Start the motor and run it for a few minutes to dry the underside of the machine to prevent it from rusting.
11. Shut off the motor and allow it to cool before storing the machine in an enclosed area.

Folding the Handle

WARNING: Folding or unfolding the handle improperly can damage the cables, causing an unsafe operating condition.

- Do not damage the cables when folding or unfolding the handle.
- If a cable is damaged, contact an Authorised Service Dealer.

Important: Route the cables to the outside of the handle hinge as you fold the handle.

1. Remove the electric-start button.
2. Loosen the 2 handle knobs (Figure 21A).
3. Fold the handle by rotating it forward (Figure 21B).

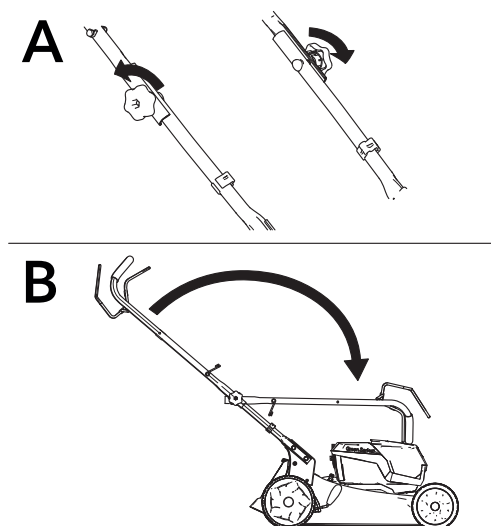


Figure 21

Maintenance

Remove the electric-start button and battery pack from the machine before maintaining or cleaning the machine.

Use only the manufacturer's recommended replacement parts and accessories.

Inspect and maintain the machine regularly. Have the machine repaired only by an Authorised Service Dealer.

Replacing the Blade

Service Interval: Yearly

Important: You will need a torque wrench to install the blade properly. If you do not have a torque wrench or are uncomfortable performing this procedure, contact an Authorised Service Dealer.

If the blade is damaged or cracked, replace it immediately. If the blade edge is dull or nicked, have it sharpened and balanced, or replace it.

WARNING: When servicing the blade, be aware that the blade can still move even though the power source is off. The blade is sharp; contacting the blade can result in serious personal injury.

Wear gloves when servicing the blade.

1. Remove the electric-start button and battery pack from the machine.
2. Use a block of wood to hold the blade steady (Figure 22).

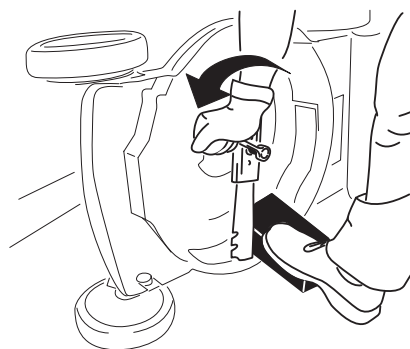


Figure 22

3. Remove the blade, saving all mounting hardware (Figure 23).
4. Install the new blade and all mounting hardware (Figure 23).

Important: Position the curved ends of the blade to point toward the mower housing.

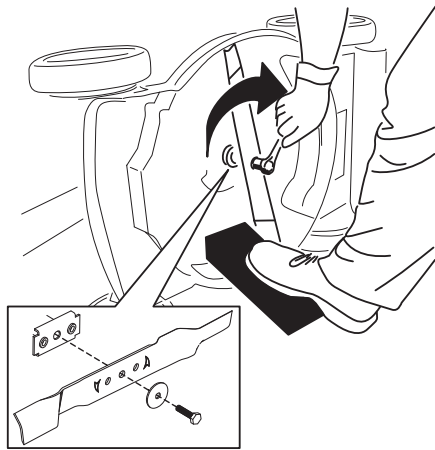


Figure 23

5. Use a torque wrench to tighten the blade bolt to 45 N·m.

Important: A bolt torqued to 45 N·m is very tight. While holding the blade with a block of wood, put your weight behind the ratchet or wrench and tighten the bolt securely. This bolt is very difficult to overtighten.

Lubricating the Machine

Service Interval: Yearly or before storage

Apply a few drops of No. 2 lithium grease to the ball bearings on each of the wheels (Figure 24).

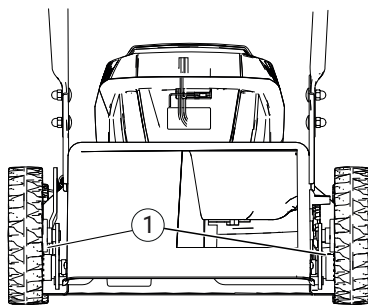


Figure 24

1.	Ball bearings
----	---------------

Adjusting the Self-Propel Lever

Whenever you install a new self-propel cable or if the self-propel drive is out of adjustment, adjust the self-propel drive.

1. Turn the adjustment nut counterclockwise to loosen the cable adjustment (Figure 25).

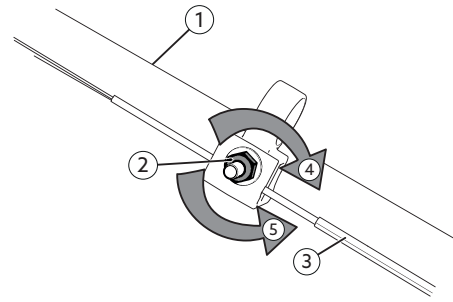


Figure 25

1.	Handle (left side)	4.	Turn the nut clockwise to tighten the adjustment.
2.	Adjustment nut	5.	Turn the nut counterclockwise to loosen the adjustment.
3.	Self-propel-drive cable		

2. Adjust the tension on the cable (Figure 25) by pulling it back or pushing it forward and holding that position.

Note: Push the cable toward the motor to increase the traction; pull the cable away from the motor to decrease the traction.

3. Turn the adjustment nut clockwise to tighten the cable adjustment.

Note: Tighten the nut firmly with a socket or wrench.

Preparing the Battery Pack for Recycling

Important: Upon removal, cover the terminals of the battery pack with heavy-duty adhesive tape. Do not attempt to destroy or disassemble the battery pack or remove any of its components.

Contact your local council or your authorised Hayter dealer for more information on how to responsibly recycle the battery.

Storage

Important: Store the machine, battery pack, and charger only in temperatures that are within the appropriate range; refer to Specifications.

Important: If you are storing the machine for a year or longer, remove the battery pack from the machine and charge the battery pack until 2 or 3 LED indicators turn green on the battery. Do not store a fully charged or fully depleted battery. When you are ready to use the machine again, charge the battery pack until the left indicator light turns green on the charger or all 4 LED indicators turn green on the battery.

- Disconnect the product from the power supply (i.e., remove the battery pack) and check for damage after use.
- Clean all foreign material from the product.
- When not in use, store the machine, electric-start button, battery pack, and battery charger out of the reach of children.
- Keep the machine, battery pack, and battery charger away from corrosive agents, such as garden chemicals and de-icing salts.
- To reduce the risk of serious personal injury, do not store the battery pack outside or in vehicles.
- Store the machine, battery pack, and battery charger in an enclosed clean, dry area.

Troubleshooting

Perform only the steps described in these instructions. All further inspection, maintenance, and repair work must be performed by an authorised service centre or a similarly qualified specialist if you cannot solve the problem yourself.

Problem	Possible Cause	Corrective Action
The machine does not start.	<ol style="list-style-type: none"> 1. The battery is not fully installed in the machine. 2. The battery pack is not charged. 3. The battery pack is damaged. 4. There is another electrical problem with the machine. 	<ol style="list-style-type: none"> 1. Remove and then replace the battery into the machine, making sure that it is fully installed and latched. 2. Remove the battery pack from the machine and charge it. 3. Replace the battery pack. 4. Contact an Authorised Service Dealer.
The machine does not run continuously.	<ol style="list-style-type: none"> 1. There is moisture on the leads of the battery pack. 2. The battery is not fully installed into the tool. 	<ol style="list-style-type: none"> 1. Allow the battery pack to dry or wipe it dry. 2. Remove and then replace the battery into the tool making sure that it is fully installed and latched.
The machine does not reach full power.	<ol style="list-style-type: none"> 1. The battery pack charge capacity is too low. 2. The air vents are blocked. 	<ol style="list-style-type: none"> 1. Remove the battery pack from the machine and fully charge the battery pack. 2. Clean the air vents.
The battery pack loses charge quickly.	<ol style="list-style-type: none"> 1. The battery pack is over or under the appropriate temperature range. 	<ol style="list-style-type: none"> 1. Move the battery pack to a place where it is dry and the temperature is between 5°C (41°F) and 40°C (104°F).
The battery charger is not working.	<ol style="list-style-type: none"> 1. The battery charger is over or under the appropriate temperature range. 2. The outlet that the battery charger is plugged into does not have power. 	<ol style="list-style-type: none"> 1. Unplug the battery charger and move it to a place where it is dry and the temperature is between 5°C (41°F) and 40°C (104°F). 2. Contact your licensed electrician to repair the outlet.
The LED indicator light on the battery charger is red.	<ol style="list-style-type: none"> 1. The battery charger and/or battery pack is over or under the appropriate temperature range. 	<ol style="list-style-type: none"> 1. Unplug the battery charger and move the battery charger and battery pack to a place where it is dry and the temperature is between 5°C (41°F) and 40°C (104°F).
The LED indicator light on the battery charger is blinking red.	<ol style="list-style-type: none"> 1. There is an error in the communication between the battery pack and the charger. 2. The battery pack is weak. 	<ol style="list-style-type: none"> 1. Remove the battery pack from the battery charger, unplug the battery charger from the outlet, and wait 10 seconds. Plug the battery charger into the outlet again and place the battery pack on the battery charger. If the LED indicator light on the battery charger is still blinking red, repeat this procedure again. If the LED indicator light on the battery charger is still blinking red after 2 attempts, properly dispose of the battery pack at a battery recycling facility. 2. Properly dispose of the battery pack at a battery recycling facility.

Troubleshooting

Problem	Possible Cause	Corrective Action
It is difficult to remove the battery pack from the tool.	1. The battery pack/tool is new or there is corrosion in the battery terminals and/or the terminals on the tool.	1. Clean the terminals on the battery and the tool. Then apply dielectric grease to the battery terminals; do not use any other type of lubricant as it can damage the terminals.
The machine is producing a beeping sound.	<ol style="list-style-type: none"> 1. The battery pack is not charged. 2. The machine is in an unsafe position for operation. 3. The machine is overloaded. 4. There is another electrical problem with the machine. 	<ol style="list-style-type: none"> 1. Remove the battery pack from the machine and charge it. 2. Ensure that the machine is not at an extreme angle while operating. 3. Cut the grass at a higher height of cut or walk at a slower pace while mowing. 4. Attempt the other troubleshooting actions, if the alarm still sounds, contact an Authorised Service Dealer.
The quality of cut is decreased or unsatisfactory.	1. The blade is dull.	1. Have the blade sharpened or replaced.
The machine is cutting unevenly.	<ol style="list-style-type: none"> 1. The blade is dull. 2. The cutting deck is damaged. 	<ol style="list-style-type: none"> 1. Have the blade sharpened or replaced. 2. Contact an Authorised Service Dealer.
The machine is vibrating.	1. The blade is bent or damaged.	2. Inspect the blade and replace if necessary.

Warranty

2 Year Warranty - Residential Use

3 Year Warranty Battery and Power head - Residential Use

30 Day Warranty - Commercial Use

Hayter Limited warrants to the original purchaser that this unit shall be free from defects in material and workmanship, under normal, residential use, for a period of two years from the date of purchase or, if used commercially, for a period of 30 days from the date of purchase. (Please note that the battery and powerhead are covered for a 3 year period). To qualify for the 2 year warranty, you must have the machine serviced by a Hayter Authorised Service Dealer* within 12 months of the date of purchase. Please note that these services will be charged at a rate agreed between you and the Dealer. If the machine is not serviced annually, the warranty will automatically expire twelve months after the machine's most recent annual service.

Excluded from warranty include those items which are subject to normal wear and tear, including but not limited to tyres, wheels, cutterblades, belts, cables, grass bags, and other consumable wearing parts.

Terms and Conditions

Hayter shall, at our option, repair or replace any part covered by warranty during the applicable period.

Your product must be registered within 14 days of purchase to qualify for the full benefit of the product warranty. Please go to www.hayter.co.uk/warranty-registration to complete this process.

This warranty does not apply to any unit that has been tampered with, altered, misused, abused or used for hire, and will become invalid if non-genuine Hayter parts are fitted. Minor mechanical adjustments are not covered unless they are due to defective material or workmanship. Consult the Operator's Manual or a Hayter Authorised Service Dealer for assistance when making these adjustments.

Making a Claim

To make a warranty claim, return the unit to a Hayter Authorised Service Dealer, along with proof of purchase stating the machine serial number and date of purchase and the service receipt(s) or stamped service card.

This warranty gives you specific legal rights and are in addition to any statutory rights to which you may be entitled. Your statutory rights are not affected by this warranty. If you need additional information concerning this written warranty, or assistance in obtaining services please email customer.care@hayter.co.uk, write to Hayter Limited, Customer Care Team, Spellbrook, Bishop's Stortford, Hertfordshire CM23 4BU or Tel Freephone 0800 616 298.

*Details of your local Hayter Authorised Dealer can be found on the Hayter website www.hayter.co.uk or contact: Freephone 0800 616 298.

EEA/UK Privacy Notice

Hayter's Use of Your Personal Information

Hayter Limited, and its parent, The Toro Company, respect your privacy. When you purchase our products, we may collect certain personal information about you, either directly from you or through your local retail outlet. We use this information to fulfil contractual obligations - such as to register your warranty, process your warranty claim or to contact you in the event of a product recall - and for legitimate business purposes - such as to gauge customer satisfaction, improve our products or provide you with product information which may be of interest. We may share your information with The Toro Company, its subsidiaries or affiliates, or with our dealers, retailers or other business partners in connection these activities. We may also disclose personal information when required by law or in connection with the sale, purchase or merger of a business. We will never sell your personal information to any other company for marketing purposes.

Retention of your Personal Information

We will keep your personal information as long as it is relevant for the above purposes and in accordance with legal requirements. For more information about applicable retention periods please contact legal@toro.com.

Hayter's Commitment to Security

Your personal information may be processed in the US or another country which may have less strict data protection laws than your country of residence. Whenever we transfer your information outside of your country of residence, we will take legally required steps to ensure that appropriate safeguards are in place to protect your information and to make sure it is treated securely.

Access and Correction

You may have the right to correct or review your personal data, or object to or restrict the processing of your data. To do so, please contact us by email at legal@toro.com. If you have concerns about the way in which Hayter Ltd. has handled your information, we encourage you to raise this directly with us. Please note that European residents have the right to complain to your Data Protection Authority.

THIS PAGE HAS BEEN LEFT INTENTIONALLY BLANK