

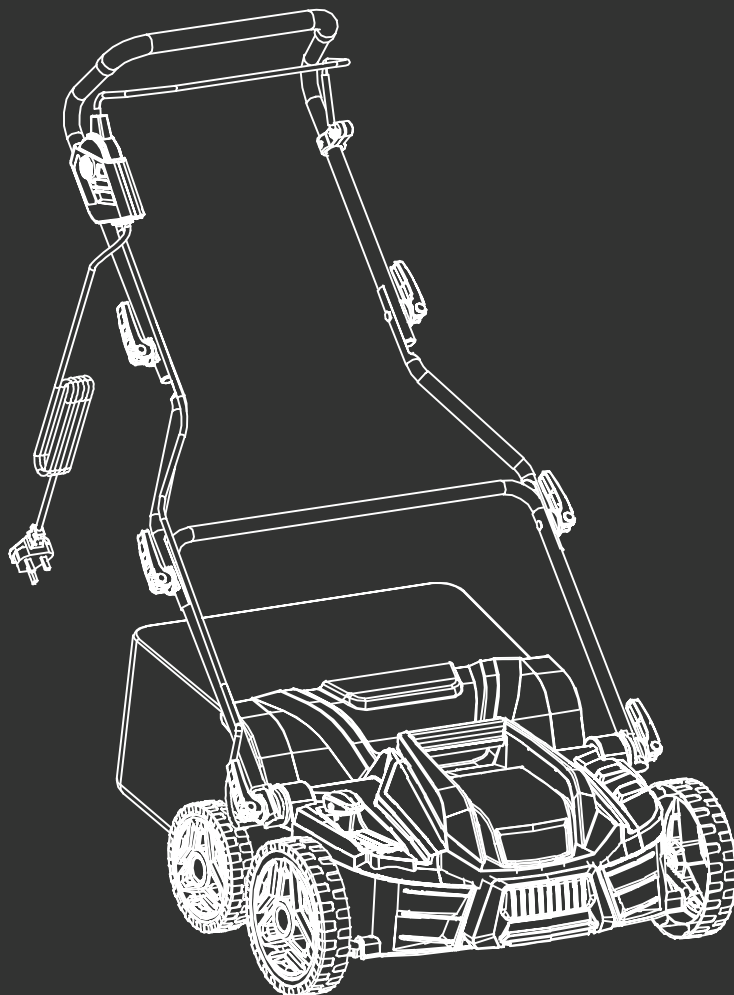
HYUNDAI
POWER PRODUCTS



ELECTRIC SCARIFIER

HYSC1500E

Instruction Manual



Introduction

Thank You For Purchasing Your HYUNDAI Product

We work very hard to give all of our customers the best possible service. If you have any problems, before leaving negative feedback, please contact us to give us a chance to resolve the issue. We would be delighted if you left us positive feedback! Thank you for purchasing this product.

Important!



⚠️ WARNING : READ THE INSTRUCTION BOOKLET THOROUGHLY BEFORE USING THE MACHINE. Keep for future reference and pass it on if the machine is loaned or sold to another user.

This manual has been produced by Hyundai Power Products and should be kept with the product. Please read and understand these instructions before you use your product. Failure to do this may result in personal injury or damage to the product.

The safety precautions and warnings are to ensure your safety and protect you from harm or damage to the product.

The information contained in this manual was accurate at the time of production, however HYUNDAI Power Products may make modifications to the product without notification.



Contents

Safety Information.....4-17

Understand Your Machine.....	4
Personal Safety.....	5
Inspect Your Machine.....	6
Work Area.....	7
During Use.....	8-9
Batteries.....	10
Residual Risks.....	11
Double Insulated Appliances.....	11
Electrical Safety.....	12-13
Vibrations.....	14
Noise.....	14
Personal Protective Equipment.....	15
Intended Use.....	16
Symbols On The Machine.....	17

Features.....18-19

Unboxing.....20-21

Assembly.....22-25

Assembly Safety.....	22
Assemble Handlebars.....	22-24
Grass Collector Assembly.....	25

Operation.....26-29

Working Depth Adjustment.....	26
Using The Scarifier.....	27
Using The Raker.....	27
Blade System Change.....	28
Before Each Use.....	29
Working Direction.....	29

Starting / Stopping.....30

Maintenance.....32-34

Maintenance Safety.....	32
Checking Your Machine.....	32
Transportation.....	32
Cleaning.....	33
Storage.....	33
Blade Maintenance.....	34
Troubleshooting.....	34

Technical Data.....35

Recycling And Disposal.....36

Declaration Of Conformity.....37

Notes.....38-39

Useful Information.....40

Our YouTube Channel.....	40
Warranty.....	40
Manual Updates.....	40
Returning Your Product.....	40
Leaving A Review.....	40
Ordering Spare Parts.....	40

Our Product Range.....41

Product Information.....42

Contact Us.....43



Safety Information

Safety

No list of safety guidelines can be complete. Every environment is different. Always consider safety first, as it applies to your individual working conditions. Use this and other machinery with caution and respect. Failure to do so could result in serious injury, damage to equipment, or poor work results.

Some or all of the following - warning signs and symbols may appear throughout this manual. You **MUST** adhere to their warnings. Failure to do so may result in personal injury to yourself or those around you.

DANGER

Indicates a hazard, which, if not avoided, could result in serious injury or death.

WARNING

Indicates a hazard, which, if not avoided, could result in serious injury.

CAUTION

Indicates a hazard which, if not avoided, might result in minor or moderate injury.

Understand Your Machine

- **WARNING!** You must read these instructions carefully before operating the machine. Make sure that you are familiar with the controls and properly operate the machine. You must learn how to stop the machine quickly. If you do not follow the warnings and instructions, it may result in fire and/or serious injury. Make sure to save all warnings and instructions for future reference.
- Read this manual and labels affixed to the machine to understand its limitations and potential hazards.
- Be thoroughly familiar with the controls and their proper operation. Know how to stop the machine and disengage the controls quickly.
- If the unit is to be used by someone other than original purchaser, or is to be loaned, rented, or sold, always provide this manual and any needed safety training before operation. The user can prevent and is responsible for accidents or injuries that may occur to themselves, to other people, or to property.
- Do not force the machine beyond its limits. Use the correct machine for your application.
- Know how to stop the machine quickly in case of emergency. Understand the use of all controls.
- ALL MAINTENANCE other than that listed in this manual, should be carried out by professionally trained and certified personnel.
- When using this machine for the first time and before actual work, you **MUST** learn how to handle the machine from an experienced or skilled person.



Safety Information

⚠ Personal Safety

- **WARNING!** Never allow children or people unfamiliar with these instructions to use the product. Local regulations can restrict the minimum age of the operator.
- Keep children, pets, and other people not using the unit away from the work area (at least 15m). Be alert and shut off the unit if anyone enters work area. Keep children under the watchful care of a responsible adult.
- Stay alert, watch what you are doing and use common sense when operating the machine. Never operate the machine when unwell or tired, or if you have taken alcohol, medicine, drugs or any substances which may slow your reflexes and compromise judgment. A moment of inattention while operating the machine may result in serious personal injury.
- Appropriate Personal Protective Equipment (PPE), **MUST** be worn at all times when operating or repairing the machine. Always wear anti-slip and resistant work footwear and long trousers while using the machine. Do not use the machine when barefoot, wearing sandals or similar lightweight footwear. Do not wear chains, bracelets or clothing that is loose fitting or hanging ties or cords. Tie long hair back. Always wear protective earplugs. Loose clothes, jewellery, or long hair can be caught in moving parts. Protect eyes, face, and head from objects that may be thrown from the unit. Always wear safety goggles or safety glasses with side shields when operating.
- Always keep hands and feet away from all moving parts during operation. Moving parts can cut or crush body parts. Always keep hands and feet away from all pinch points.
- Do not touch parts that might be hot from operation. Allow parts to cool before attempting to maintain, adjust, or service.
- Do not overreach. Keep proper footing and balance at all times. This enables better control of the machine in unexpected situations. Extending your body too far can result in a loss of balance and you may fall which will result in injury.
- Never place any part of your body where it would be in danger if movement should occur during assembly, installation, and operation, maintenance, repairing or moving.
- Start the machine carefully according to instructions and with feet away from the moving parts.
- Do not place your hands or feet near or under rotating parts. Keep away from any discharge openings.
- Keep in mind that the operator or user is responsible for accidents, hazards or unexpected events involving the machine that occur to other people or their property. It is the responsibility of the user to assess the potential risk of the area where work is being carried out. The operator or user must take all necessary precautions to ensure their own safety and that of others, especially on slopes or rough, slippery and unstable ground.



Safety Information

▲ Inspect Your Machine

- Check your machine before starting it. Keep guards in place and in working order. Make sure all nuts, bolts, etc., are securely tightened.
- You must check the general condition of the machine before use.
- Never operate the machine when it is in need of repair or is in poor mechanical condition. Replace damaged, missing, or failed parts before using it. Keep the machine in safe working condition.
- Do not use the machine if the switch does not turn off the machine when running.
- Regularly check to see that keys and adjusting wrenches are removed from the machine area before starting it. A wrench or a key that is left attached to a rotating part of the machine may result in personal injury.
- If the machine should start to vibrate abnormally, stop the machine and check immediately for the cause. Vibration is generally a warning sign of trouble.
- Avoid accidental starting. Be sure the machine's switch is off before transporting the machine or performing any maintenance or service on the unit. Transporting or performing maintenance or service on a machine with its switch on invites accidents.
- Do not tamper with or disable safety systems.
- Only use manufacturer-recommended attachments.
- Before using, always visually inspect to see that the tools are not worn out or damaged. Replace worn out or damaged elements and bolts in set to preserve balance.
- Keep the machine in good operating condition. Operating the machine in poor or questionable condition could result in serious injury.
- Be sure all safety devices are in working order and warning labels are in place. These items are installed for your safety.



Safety Information

▲ Work Area

- Make sure you thoroughly inspect the entire work area and remove all objects and anything that could be thrown by the machine or could damage the machine (branches, stones, wire, toys, etc). Attempting to clear the work area whilst using the machine will reduce your concentration and creates a trip hazard. Any liquid spilled on the floor may result in you slipping.
- You must only work in daylight or with good artificial light in good visibility conditions. Do not work at night, at times of heavy fog, or at any other times when your field of vision might be limited and it would be difficult to gain a clear view of the area.
- Keep people, children and animals away from the working area.
- Operate on flat, level ground.
- DO NOT work on wet ground. If there has been heavy rain on the working site, wait until the ground has dried up.
- You must pay special attention when approaching obstacles that could compromise visibility.
- Exercise extreme caution when changing direction on slopes. When changing direction, you need to be careful that the wheels do not hit any obstacles (such as roots, branches, stones, etc) that can cause the machine to slide sideways or make you lose control of it. Avoid driving on slopes steeper than 15%. Make sure on slopes you have a steady foothold.
- Find and locate all fixed objects in the ground, such as sprinkler systems, poles, water valves, bases for washing lines etc. Make sure that you check for hidden electrical cables or similar on the surface of the lawn. ALWAYS run the machine around these objects. NEVER intentionally run the machine over foreign objects.
- Never park the machine in a place with unstable ground which could give way.
- Do not work near ravines, ditches or embankments.
- Exercise extreme caution when operating on or crossing gravel drives, walks, or roads. Stay alert for hidden hazards or traffic.
- Pay the utmost attention when working on frozen ground as the machine may tend to skid.
- Do not work in the rain, when there is a thunderstorm or lightning risk, at times of strong or gale force winds, or at any other times when the weather conditions might make it unsafe to use this product. If there is bad weather conditions, do not use the machine.
- Do not operate your machine on sanded, concrete or wooded ground.
- Watch for holes, ruts, bumps, rocks or other hidden objects. These may cause an unexpected slip or fall.



Safety Information

⚠ During Use

- Always hold the unit with both hands when operating. Keep a firm grip on the handlebars. Be aware that the machine may unexpectedly bounce upward or jump forward if the machine should strike buried obstacles such as large rocks or roots.
- Do not operate the machine in confined areas where there may be a risk of crushing the operator between the machine and another object.
- Walk, never run with the machine. Be very careful when pulling the machine toward you. You must look behind you to make sure there are no obstacles before and during operations in reverse gear (if applicable). Do not allow the machine to pull you along.
- **WARNING!** If something breaks or an accident happens whilst working, you must turn off the machine immediately and move the machine away to prevent further damage. If an accident happens with injuries or third parties are injured, carry out the first aid measures most suitable for the situation immediately and contact the medical authorities for any necessary health care. Carefully remove any debris that might cause damage or harm persons or animals should it not be seen.
- Use extreme caution when reversing or pulling the machine backwards.
- Do not carry passengers.
- Never operate the machine at a fast pace.
- The excessive speed of movement or the absence of maintenance have a significant influence on noise emissions and vibrations. It is necessary to take preventive steps to eliminate possible damage due to high levels of noise and stress from vibration. You must maintain the machine well, wear ear protection and take breaks from working.
- After striking a foreign object, stop the machine immediately and inspect the machine thoroughly for damage. Repair the damage before continuing.
- Never attempt to make any adjustments, while the machine is running.
- Never attempt to move the machine in any way other than intended for normal use while the machine is running.
- Factory-fitted control devices, such as the handle-mounted clutch cable, must not be removed or exposed.
- Do not attempt to operate your machine with one hand – you must guide it with both hands.
- Be careful when cultivating in hard ground. The tines may catch in the ground and propel the machine forward. If this occurs, let go of the handlebars and the starting lever and do not restrain the machine.



Safety Information

⚠ During Use (Continued)

- Stop the tines if the machine has to be tilted for transportation. Do not operate the tines when crossing surfaces other than grass, and when transporting the product to and from the working area.
- You must disengage the blade, switch off the machine and disconnect from the power supply (making sure that all moving parts are stationary):
 - Before adjusting the cutting height.
 - After striking a foreign object, you must inspect the machine for damage and make repairs before using it again.
 - Before checking or working on the machine.
 - Before clearing blockages.
 - When transporting the machine.
 - Whenever you leave the machine unattended.
 - Before emptying the grass collector.
 - Before changing the working height.
- Never use the machine without the grass collection bag securely fitted.
- Do not tilt the machine when switching on the motor, except if the product has to be tilted for starting. In this case, do not tilt it more than absolutely necessary and lift only the part which is away from the operator.
- Do not start the motor when standing in front of the discharge opening.



Safety Information

⚠ Batteries (Where Present)

Batteries present a risk if they become damaged by the possible leaking of electrolyte. This electrolyte is an acid and can cause serious burn injuries. Care should be taken when working on or near them. **NOTE** the electrolyte may be in a liquid or gel form.

Should you come in to contact with electrolyte you should;

- Remove all clothing contaminated with electrolyte. If you cannot remove then saturate them in water.
- Get medical assistance as soon as possible.

You must advise the medical staff of the type of acid.

- Lead/acid battery = dilute sulphuric acid.
- Nickel/cadmium = potassium hydroxide alkali electrolyte.
- Use fresh running water to wash off excess electrolyte, continue this until medical assistance arrives. Make sure that you do not wash the electrolyte to another part of your body or face.
- If electrolyte comes in to contact with Eyes the electrolyte needs to be immediately washed away with large amounts of water. Make sure that you do not wash the electrolyte to another part of your face or body.
- Gasses from charging batteries are highly flammable and great care should be taken to charge in well ventilated areas.



- There is an explosion risk if the battery terminals are short circuited, when connecting/disconnecting **ALWAYS** exercise great care so that the terminals or battery leads are **NOT** allowed to touch and cause a spark. **ALWAYS** use suitable insulated tools.



Safety Information

⚠ Residual Risks

Even if you are operating this product in accordance with all the safety requirements, potential risks of injury and damage remain.

This product produces an electromagnetic field during operation! This field may under some circumstances interfere with active or passive medical implants! To reduce the risk of serious or fatal injury, we recommend persons with medical implants to consult their doctor and the medical implant manufacturer before operating this product!

⚠ Double-Insulated Appliances



In a double-insulated appliance, two systems of insulation are provided instead of grounding. No grounding means that it is already provided on a double-insulated appliance. Servicing a double-insulated appliance requires extreme care and knowledge of the system, and should be performed only by qualified service personnel. Replacement parts for a double-insulated appliance must be identical to the parts they replace.



Safety Information

⚠ Electrical Safety



DANGER!

ELECTRICITY CAN KILL - NEVER WORK ON LIVE/ENERGISED EQUIPMENT.

- Prior to carrying out any maintenance work you **MUST** identify electrical isolation methods and isolate all electrical supplies.
- Prior to use and with all electrical supplies isolated, you **MUST** check all electrical cables, plugs and connectors for the following;
 - Are intact and have no signs of damage, to include but not limited to bare wires, chaffing, cuts and loose wiring.
 - If there are any signs of damage, the damaged item **MUST** be taken out of service until the damage has been repaired by an electrically competent person.
 - All trailing cables should be routed so as not to cause any kind of trip hazard.
 - **NEVER** work on or near electricity with wet hands, wet clothing and wet gloves.
- Power tools plug must match the outlet. Never modify the plug in any way. **DO NOT** use any adapter plugs with earthed (grounded) power tools. Unmodified plugs and matching outlets will reduce risk of electric shock.
- **DO NOT** expose this power tool to rain or wet conditions. Water entering a power tool will increase the risk of electric shock. **DO NOT** abuse the power cord. Never use the cord for carrying, pulling or unplugging the power tool. Keep the cord away from heat, oil and sharp edges or moving parts. Damaged or entangled cords increase the risk of electric shock. When operating a power tool, use an extension cord suitable for outdoor use. Use of a cord suitable for outdoor use reduces the risk of electric shock.
- **IMPORTANT:** Make sure that the electric circuit is fused, and that the power, voltage and frequency of the motor is supported by your mains supply. Also, make sure that your power supply is earthed. Connect your machine to earth. Never open the ON/OFF switchbox. However, if it should become necessary to do so, contact a qualified electrician. Make sure that you will never touch live contacts, specifically when you plug or unplug your machine. This machine and its power cord must never get into contact with water.
- Never use its power cord to move/shift your machine. Always unplug the power cord before handling your machine. Do not pull the plug out of the wall socket by the cable and protect the latter against heat sources, oil and objects which can damage it.
- Avoid body contact with earthed or grounded surfaces such as pipes, radiators, ranges and refrigerators. There is an increased risk of electric shock if your body is earthed or grounded.



Safety Information

⚠ Electrical Safety (Continued)

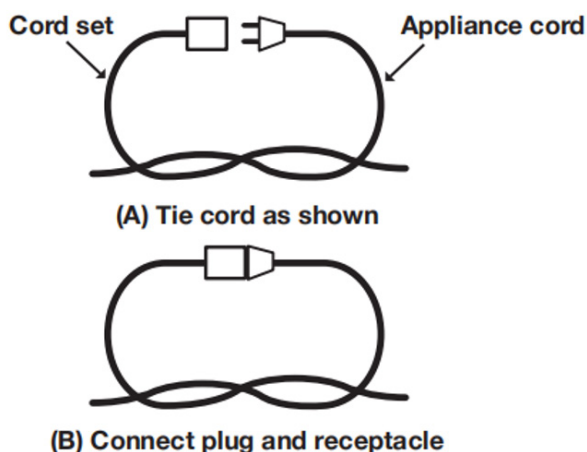
- Ground fault circuit interrupter (GFCI) protection should be provided on the circuit(s) or outlet(s) to be used for this electric scarifier + aerator. Receptacles are available having built-in GFCI protection and may be used for this measure of safety.
- To prevent electric shock, use only with an extension cord suitable for outdoor use.
- Before use, check that the extension cord is in good condition. When using an extension cord, make sure to use one heavy enough to carry the current your product will draw. A 1.5mm² (or greater) extension cord should be used. An undersized cord will cause a drop in line voltage resulting in loss of power and overheating.

WARNING! Electric shock may cause SEVERE INJURY or DEATH. Heed these warnings:

- Do not allow any part of the electric scarifier + aerator to make contact with water while it is in operation. If the appliance becomes wet while turned off, wipe dry before starting.
- Use only an extension cord for outdoor, all-weather use.
- Do not touch the appliance or its plug with wet hands or while standing in water. Wearing rubber boots offers some protection.
- To reduce the risk of electric shock, this appliance has a polarized plug (i.e. one blade is wider than the other). Use this appliance only with an extension cord recommended for outdoor, all-weather use.
- The appliance plug will fit into a polarized extension cord only one way. If the appliance plug does not fit fully into the extension cord, reverse the plug. If the plug still does not fit, obtain a correct polarized extension cord. A polarized extension cord will require the use of a polarized wall outlet. The extension cord plug will fit into the polarized wall outlet only one way. If the plug does not fit fully into the wall outlet, reverse the plug. If the plug still does not fit, contact a qualified electrician to install the proper wall outlet. Do not modify the appliance plug, extension cord receptacle, or extension cord plug in any way.

- To prevent the appliance cord from disconnecting from the extension cord during operation, use the onboard extension cord restraint hook and/or make a knot with the two cords as shown.

Table 1. Method of Securing Extension Cord




Safety Information

⚠ Vibrations (Where Applicable)

- Prolonged use of hand held (operated) machines will cause the user to feel the effects of/from vibrations. These vibrations can lead to white finger (Raynaud's phenomenon) or carpal tunnel syndrome. This condition reduces the ability of the hand to feel and regulate temperature, causing numbness and heat sensations and may cause nerve damage and circulatory tissue death.
- Not all factors that lead to white finger disease are known, but cold weather, smoking and other diseases that affect blood vessels and blood circulation as well as large and long-lasting impact of shocks are considered factors in the formation of white finger. Note the following to reduce the risk of white finger and carpal tunnel syndrome;
 - Wear gloves and keep your hands warm.
 - Take regular breaks.
- All of the above precautions may help reduce the risk of white finger disease but not rule out the carpal tunnel syndrome. Long-term and regular users are therefore recommended to observe the condition of your hands and fingers. Seek medical attention immediately if any of the above symptoms should occur.

⚠ Noise (Where Applicable)

- The operating noise of the machine can damage your hearing. When wearing protection such as earplugs or ear defenders to protect your hearing. Long-term and regular users are advised to have hearing checked regularly. Be especially vigilant and cautious when wearing ear protection because your ability to hear alarm warnings will be reduced.
 - Noise emissions for this equipment is unavoidable. Carry out noisy work at approved times and for certain periods. Limit the working time to a minimum. For your personal protection and protection of people working nearby it is also advisable for them to wear hearing protection.
-  • See Certificate of Conformity section for Outdoor Noise declaration of conformity.

⚠ Vibration & Noise Reduction

To reduce the impact of noise and vibration emission, limit the time of operation, use low-vibration and low-noise operating modes as well as wear personal protective equipment. Take the following points into account to minimize the vibration and noise exposure risks:

- Only use the product as intended by its design and these instructions.
- Ensure that the product is in good condition and well maintained.
- Use correct application tools for the product and ensure they are in good condition.
- Keep tight grip on the handles/grip surface.
- Maintain this product in accordance with these instructions and keep it well lubricated (where appropriate).
- Plan your work schedule to spread any high vibration tool use across a number of days.

Safety Information

⚠ Personal Protective Equipment

Appropriate Personal Protective Equipment (PPE), **MUST** be worn at all times when operating or repairing the machine. No protective equipment can ensure 100% protection.

When selecting PPE, make sure it's CE marked and it suits the user in terms of size, fit, etc. If more than one item of PPE is worn at the same time, make sure they can be used together, e.g. wearing safety glasses may disturb the seal of a respirator, causing air leaks.



HAND PROTECTION MUST BE WORN

Protective electrically non-conductive gloves are highly recommended when working.



FOOT PROTECTION MUST BE WORN

Non-skid heavy duty footwear are highly recommended when working.



HEARING PROTECTION MUST BE WORN

Suitable safety hearing protection is recommended.



EYE PROTECTION MUST BE WORN

Always wear safety glasses/goggles and/or face shields. Everyday eyeglasses have only impact resistant lenses; they are not safety glasses/goggles.



PROTECTIVE CLOTHING MUST BE WORN

Do not wear loose clothing, gloves, scarfs, neckties or jewellery (rings, wrist watches), which can be caught in moving parts.



HEAD PROTECTION MUST BE WORN

Wear a safety helmet with a safety visor.



FACE SHIELD MUST BE WORN

Wear a face shield to protect your face.



RESPIRATOR MUST BE WORN

Wear a respirator.



Safety Information

Intended Use

Machine Description And Scope Of Application

The HYSC1500E is a lawn scarifier and aerator from Hyundai, ideally suited for small to medium sized lawns. The HYSC1500E has a working width of 360mm and is powered by a 1500W motor.

The operator is able to operate the machine and use the main controls, always staying behind the handle at a safe distance from the rotating blade. If the operator leaves the machine, the motor and cutting means will stop within a few seconds.

The scarifier is manufactured according to the latest safety requirements. These include the OPC lever which stops the motor when you let go of the lever. Every precaution is only effective when it is followed exactly.

Intended Use

The basic version of the equipment is a scarifier intended for private use, i.e. for use in home and gardening environments. The scarifier is designed for ripping moss and weeds out of the soil and for loosening the soil. As a result your lawn can absorb nutrients better and is cleaned. We recommend you to scarify you lawn in the spring and autumn.

User Types

This machine is intended for use by consumers, i.e. non professional operators. The machine is intended for “DIY” and domestic use only.

Improper Use

Any other usage not in keeping with the above mentioned ones may be hazardous and harm persons and/or damage things. Examples of improper use may include, but are not limited to:




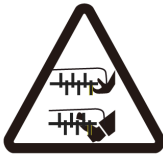


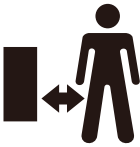
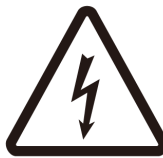


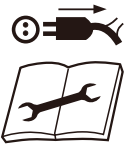
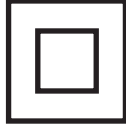


- transporting people, children or animals on the scarifier
- letting yourself be transported by the scarifier
- using the machine to tow or push loads
- using the machine for leaf or debris collection
- use of the machine by more than one person
- using the scarifier on surfaces other than grass



Safety Information

Symbols On The Machine

We have provided safety messages in this manual and on the machine. This information alerts you to potential hazards that could hurt you or others. Please read these messages carefully. However, we may not have listed all of the possible hazards, you must also use your own judgment.

Symbol	Description	Symbol	Description
	READ THE OPERATOR'S MANUAL - Read, understand, and follow all instructions in the user manual(s) before attempting to assemble and operate.		SAFETY ALERT - Indicates a precaution, a warning, or a danger.
	WARNING! Do not expose the unit to rain or wet conditions.		DANGER! Rotating blades - Keep hands and feet away from moving parts.
	Wear eye and hearing protection. For protection against injury, wear ear defenders and safety goggles.		Thrown objects picked up by the rotating tines can cause severe injury.
	Keep bystanders at a safe distance away from the work area.		DANGER! Risk of electric shock.
	Inspect the work area prior to use and remove all objects that could be thrown by the appliance. If a hidden object is discovered while working, stop the engine and remove the object.		DANGER! Do not mow over cable.
	SWITCH OFF! Remove plug from outlet before cleaning or conducting maintenance checks or if the cord is damaged or cut..		Double insulation.
	Do not touch the rotating parts.		This product complies with the applicable European directives and an evaluation method of conformity for these directives was done.



Features

HYSC1500E Features



Features

HYSC1500E Features

- A Main Handle**
Hold onto with both hands this whilst using the machine.
- B Operator Presence Control (OPC) Lever**
This is a safety feature. The machine will stop if you let go of this lever.
- C Height Adjustment Lever**
- D Wheel**
- E Grass Collector**
- F Quick Release Handle**
- G Start Button**



Unboxing

⚠ Unboxing Safety

⚠ WARNING! Unboxing and assembling the machine should be done on a flat, stable surface with enough room. Disposal of the packaging should be done in accordance with the local regulations in force.

⚠ WARNING! Some of the packaging material may be harmful to children. Keep out of reach of children.

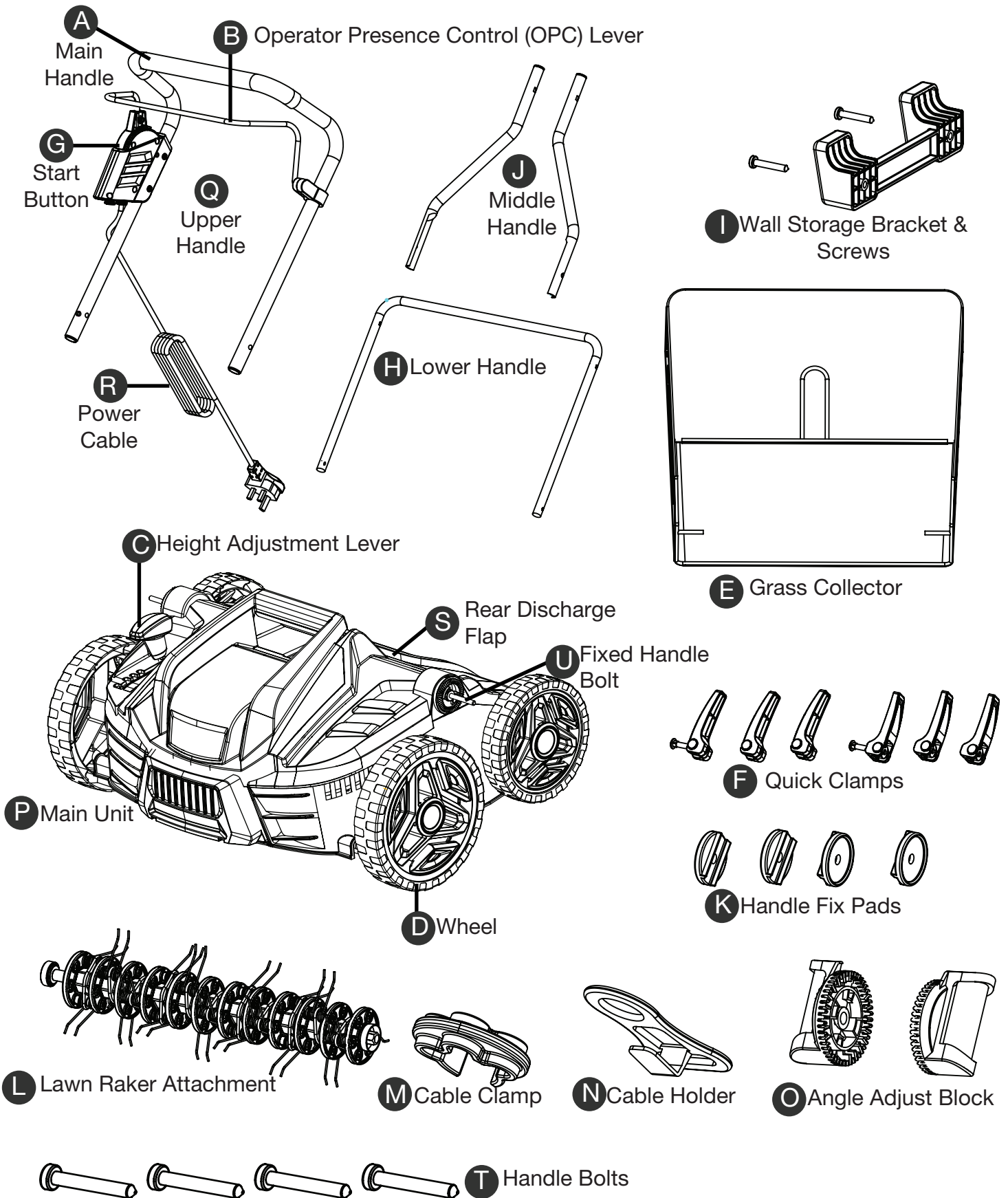
Carefully remove the product from the packaging and examine it for any sign of damage caused during shipping. Lay the contents out and check them. If any part is damaged or missing, you must not use the machine. Contact HYUNDAI Power Products immediately. You must keep the packaging material in case the machine needs to be returned or repaired.

Ensure that you have all the accessories and tools you need for assembly and operation including the suitable personal protective equipment.



Unboxing

Box Contents



Assembly

⚠ Assembly Safety

⚠ **CAUTION** - This guide is meant to serve as a quick reference for operating your HYUNDAI machine. We always advise reading the manual in full before operation.

⚠ **NOTE** - Images may vary depending on model.

⚠ **NOTE** - The machine may be supplied with some parts already assembled. Prior to assembly, check all items have been received.

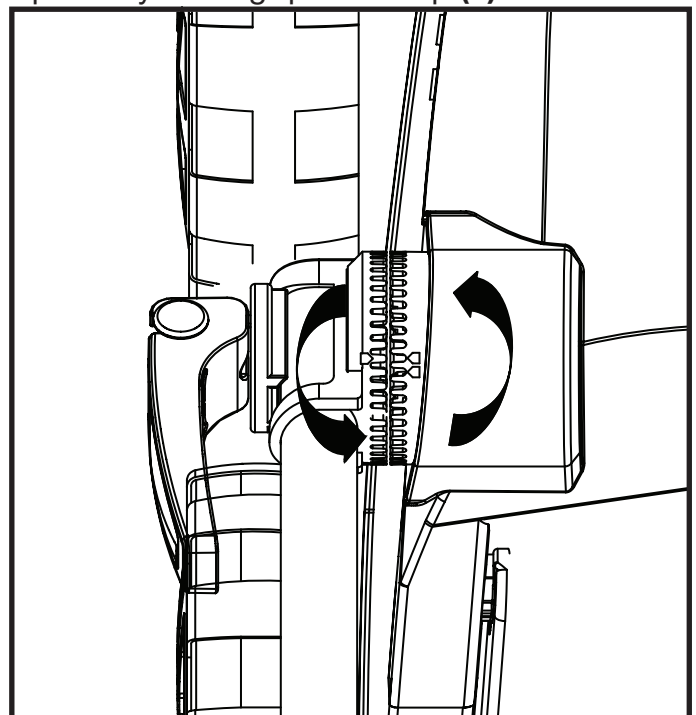
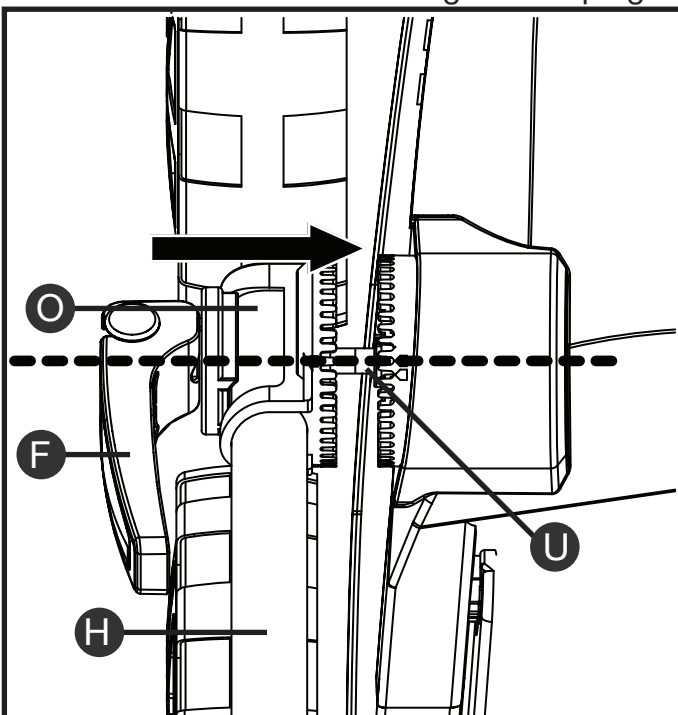
We recommend that you fill out the information on page 42. If you need to contact an authorised dealer or customer service for information on servicing, you may need to provide this information.

Step 1 : Handle Assembly

PLEASE NOTE : Assemble the handles in this order:

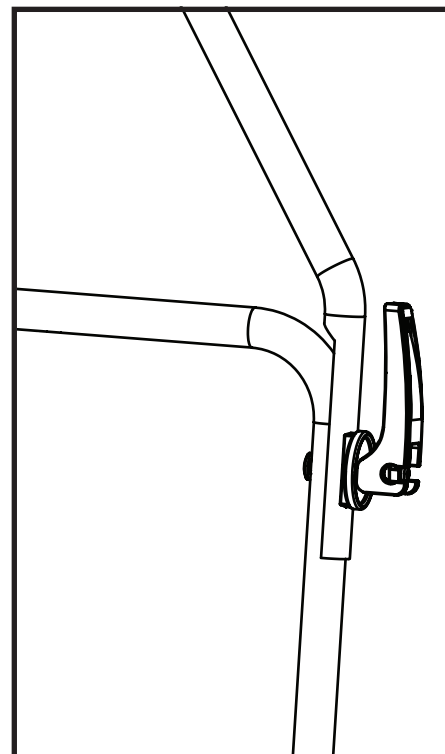
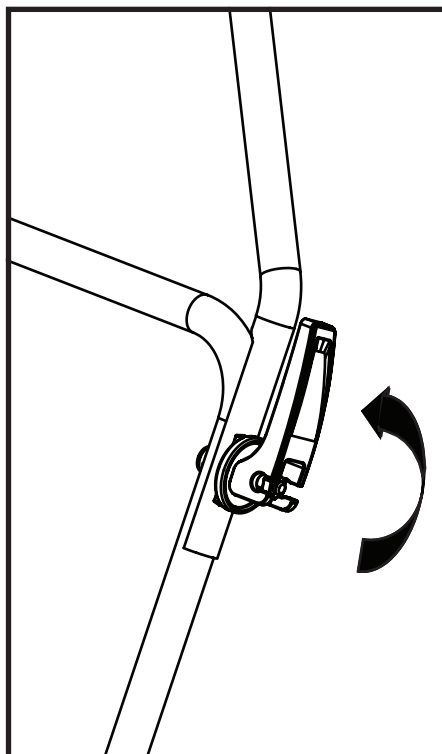
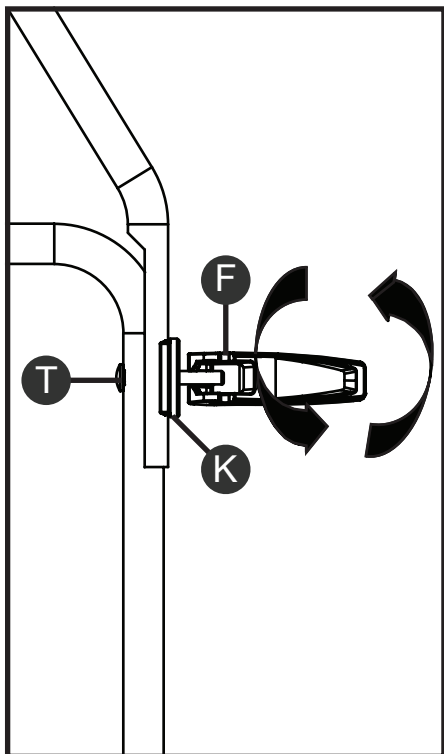
- A. Attach lower handle (**H**) to body.
- B. Attach middle handle (**J**) to lower handle (**H**).
- C. Slide cable holder (**N**) over upper handle shaft (**Q**).
- D. Attach upper handle (**Q**) to middle handle (**J**) and use cable clamp (**M**) to secure cable to handle.

- 1 Push lower handle (**H**) into angle adjust block (**O**) then slide it over fixed handle bolt (**U**) protruding from body.
- 2 Align the threaded part of the quick clamp (**F**) and tighten in a clockwise direction with the handles at the desired height. Clamp tightly in place by moving quick clamp (**F**) over-centre.



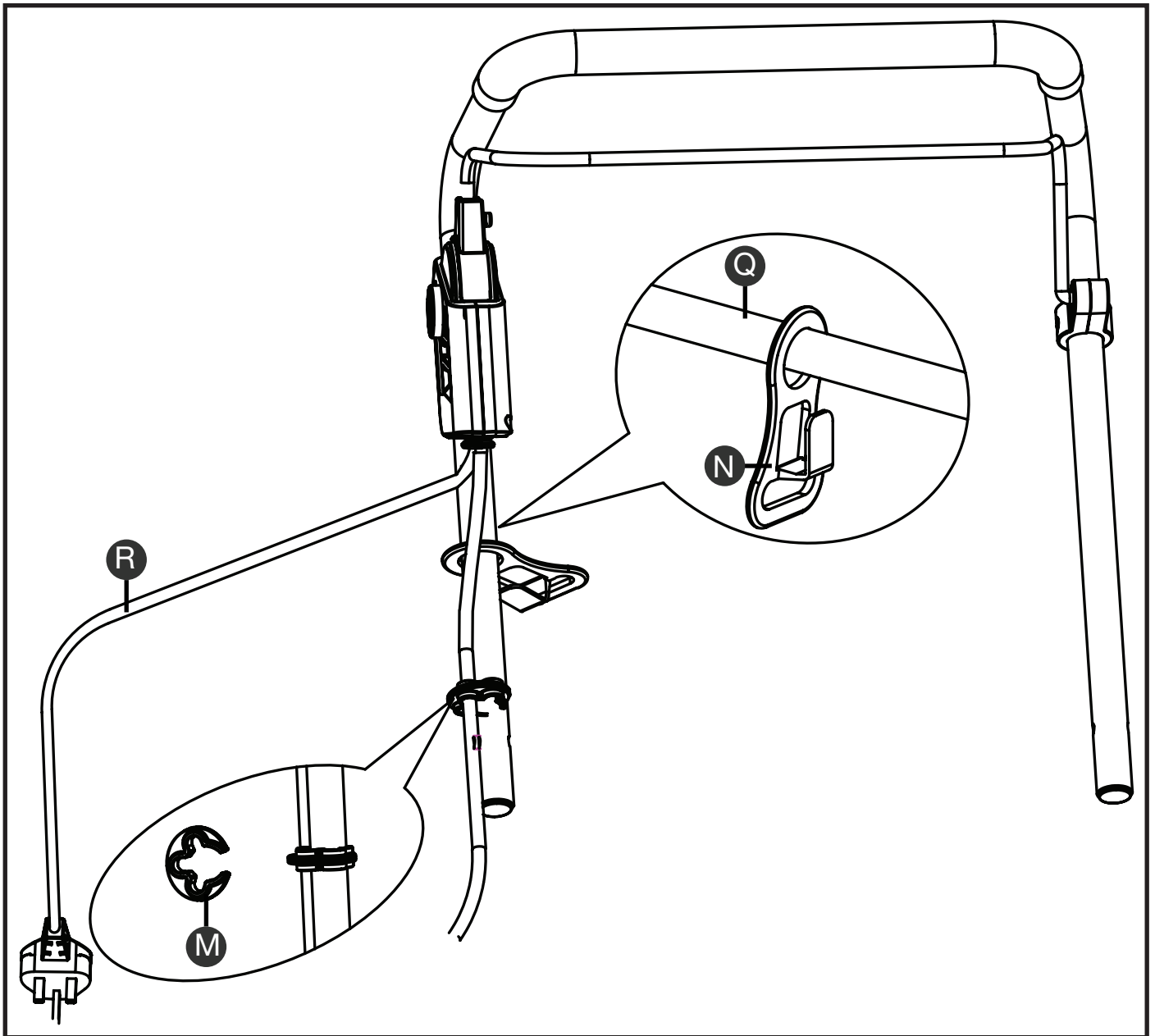
Assembly

- 3 Slide handle bolt (**T**) through inside handle and then through outside handle. Slide handle fix pad (**K**) over bolt then screw quick clamp (**F**) onto bolt and tighten.
- 4 Lock the quick clamp (**F**) over centre to secure.



Assembly

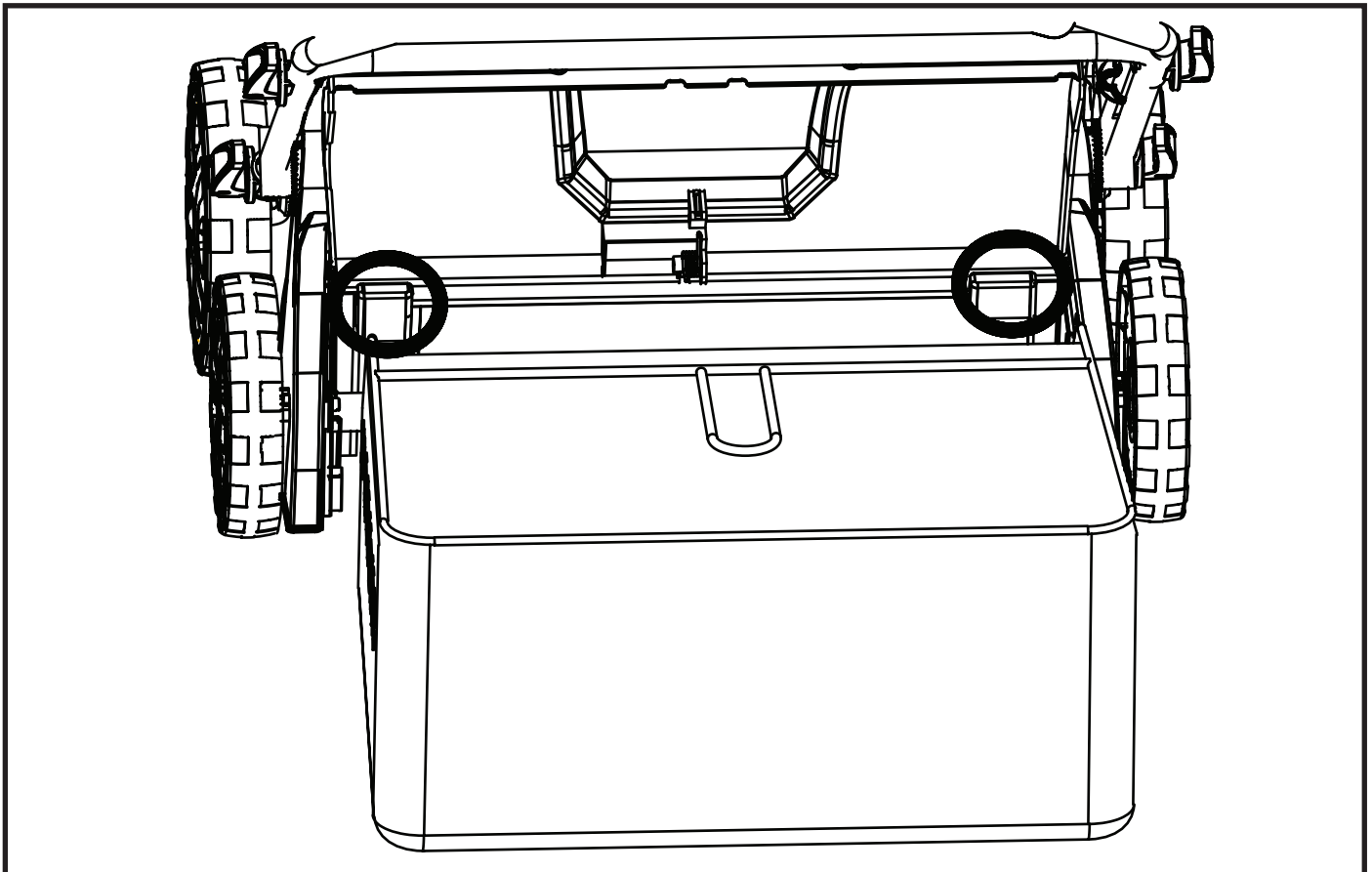
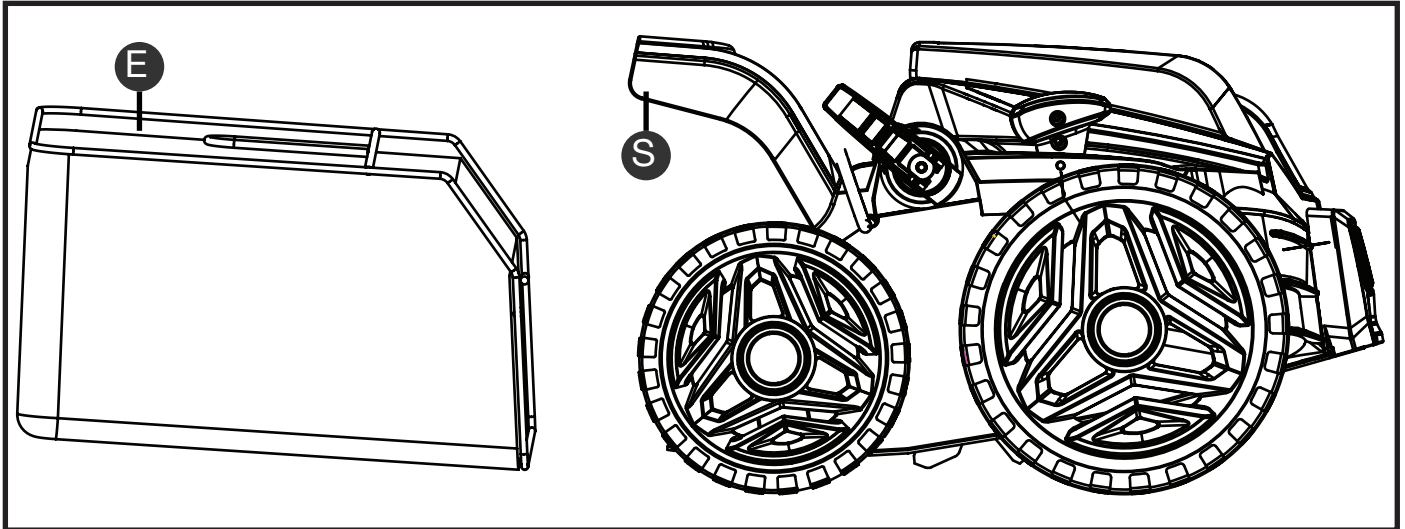
- 5 Fit the cable holder (**N**) onto the upper handle bar (**Q**) from the switch side. Loop the power cable (**R**) through the cable holder to prevent unnecessary strain where the cable enters the control unit.
- 6 Use the cable clamp (**M**) to keep the cable secure and tight to the handle.



Assembly

Step 2 : Grass Collector Assembly

- 1 Fix the metal frame inside the grass bag (E) and clip bag onto frame,
- 2 Lift rear discharge flap (S) and clip grass bag onto the hooks.



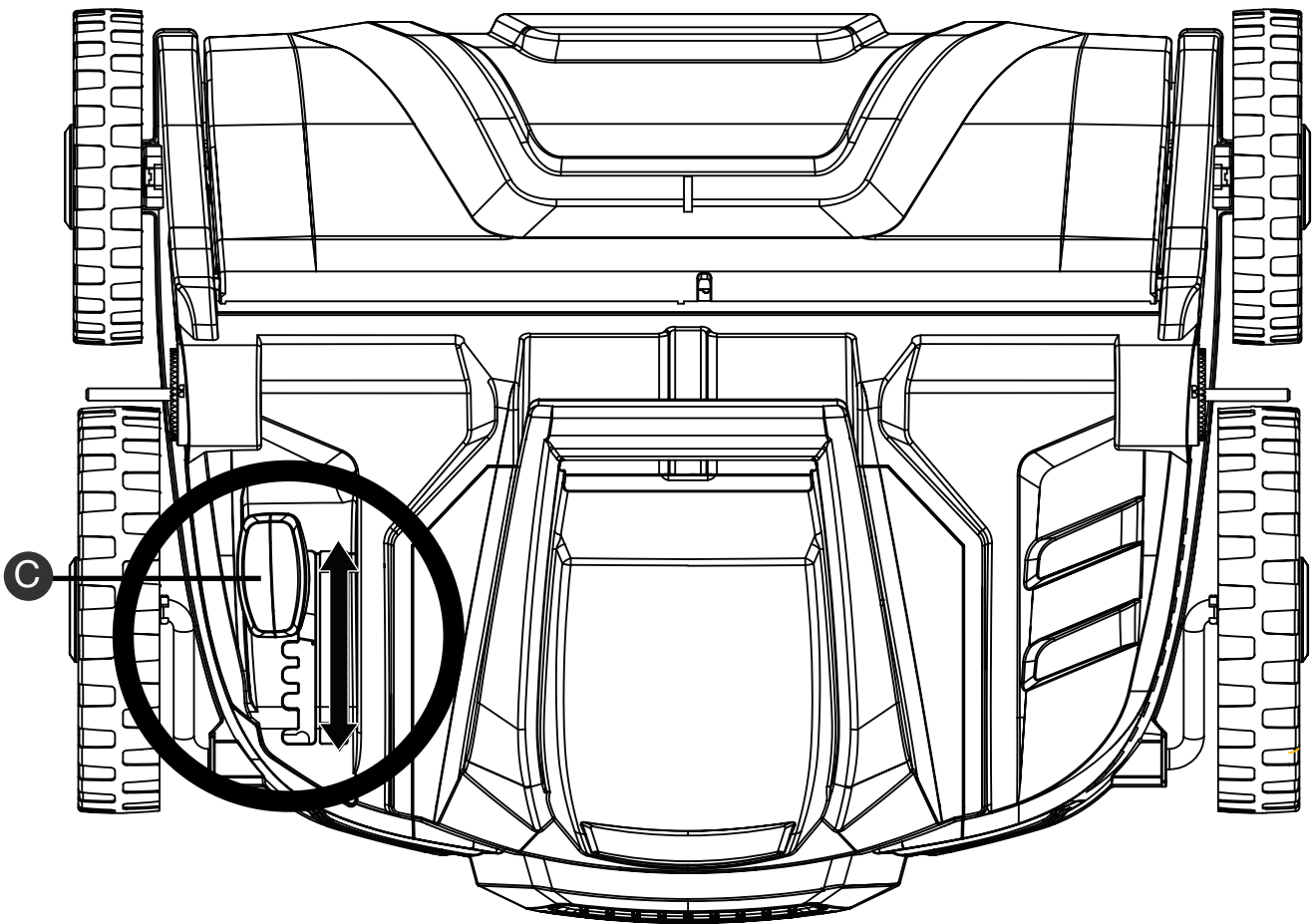
Operation

Working Depth Adjustment

The working depth is adjustable to 5 heights: -12mm, -9mm, -6mm, -3mm and +10mm.

Be careful not to use the scarifier at too deep a setting. If there is excessive strain on the motor, it will lose speed and be less efficient.

- 1 Push the height adjustment handle (C) forwards or backwards to adjust the height.



⚠ IMPORTANT!

Note: The spring cartridge must only be used in highest three positions.

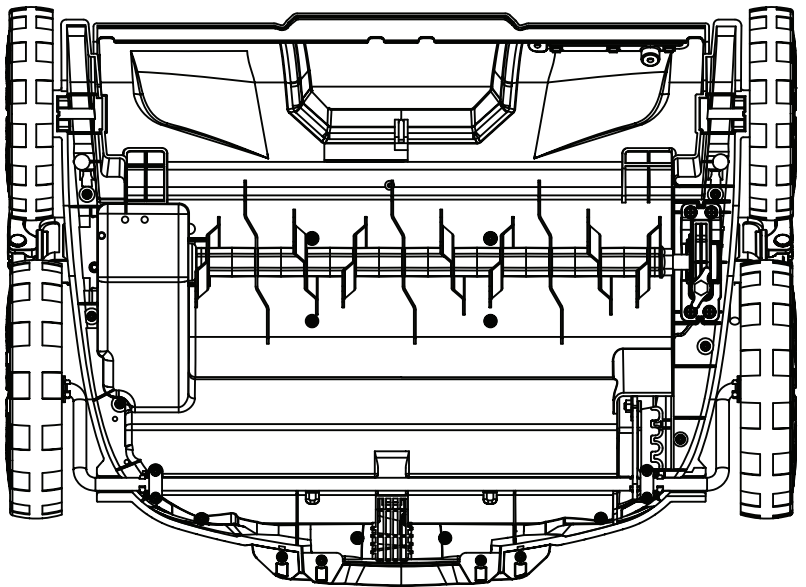
If you are to use it too deep, the efficiency will be reduced and spring damage may occur after prolonged use. The springs are made to remove the grass and moss from the surface. It is not necessary to go deeper into the soil.

The lowest two positions are used for the blade cartridge for heavier moss removal and scarifying.

Operation

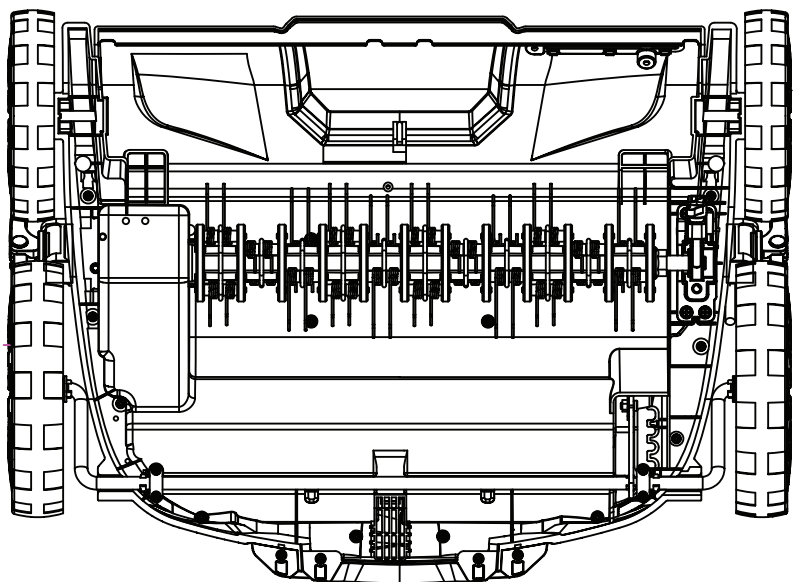
Using The Scarifier (Rigid Tines)

- 1 By scarifying you remove the hardened surface, grass felt and flat-growing weeds and the crusted over grassroots are loosened up. The lawn will start to breathe again and assimilate the nourishing substances, oxygen and water. This also prevents the establishing of bacteria in the lawn during the winter.
- 2 Cut the grass to a height of about 40mm before scarifying. The lawn must be dry when using the machine. The best time for scarifying is any time during the vegetative season, from April through to September. Scarify it at least once a year. We recommend using a fertilizer straight after airing if you want a green carpet like lawn.



Using The Raker (Springs)

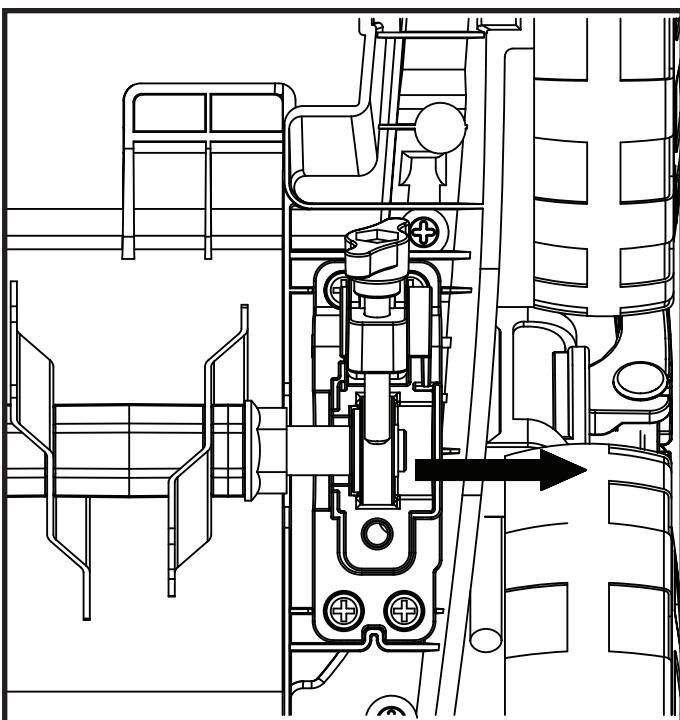
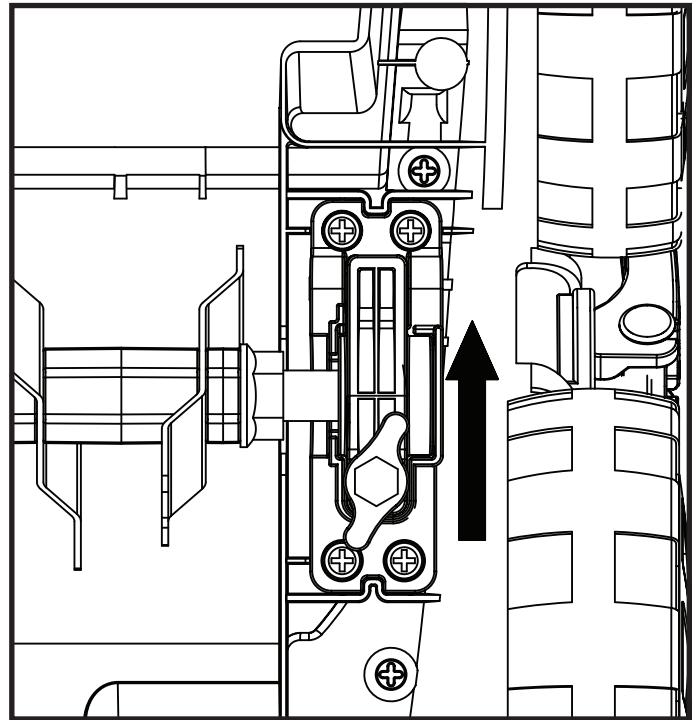
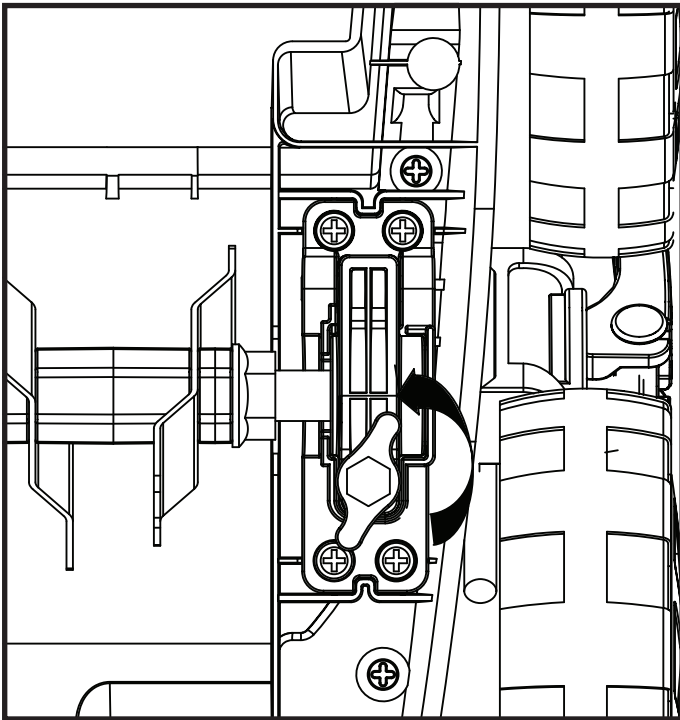
- 1 By raking you remove the dead matter, moss and weed which disfigures a lawn. The build up of dead grass provides a mat of absorbent fibres which prevents water getting through to the ground.
- 2 Do not force your rake through grass that is longer than 75mm. The lawn must be dry when using the machine. It's recommend that this is used at the beginning and the end of each grass cutting season to give your lawn a thorough raking. This could also be used after each mowing to remove any grass cutting that may be left by your mower.



Operation

Blade System Change

- 1 Disconnect from the mains electricity supply. Wear strong gloves.
- 2 Turn the machine on its side and loosen wing nut by turning anti-clockwise to release the blade clamp.
- 3 Pull the blade towards you and lift out the blade drive socket.
- 4 To replace, insert blade into drive socket and other end into blade retaining clamp and tighten the wing nut.



Operation

Before Each Use

⚠ YOU MUST read and understand the full safety instruction manual before starting the machine.

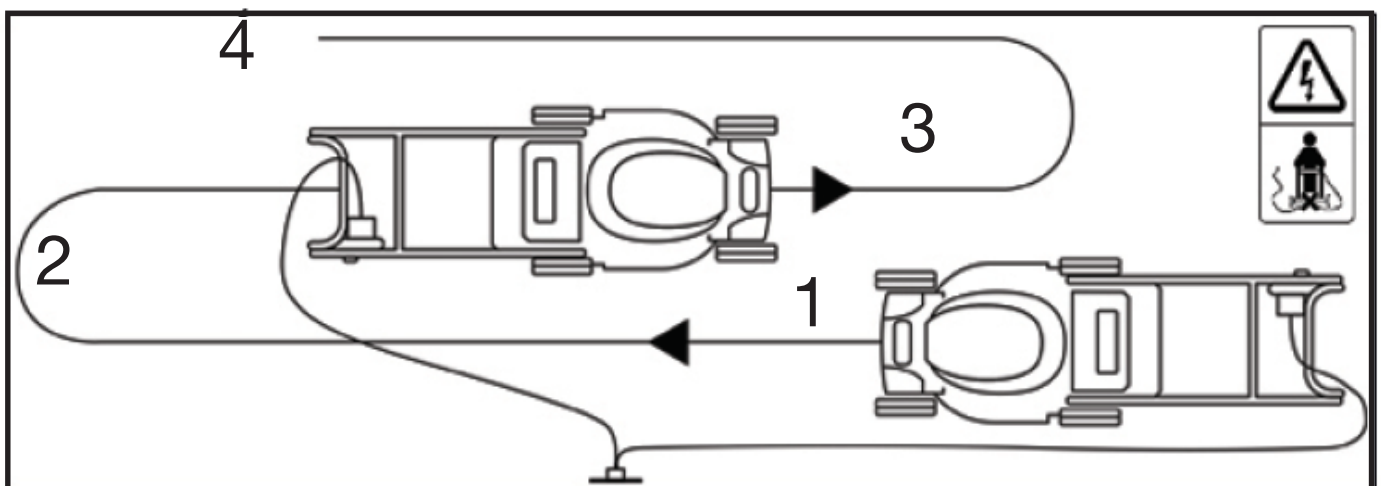
- 1 Always ensure that the machine is in a safe working condition. Inspect and check safety devices and guards and check all nuts, bolts and screws are secure.
- 2 Make sure you know how to stop the machine and ensure you are familiar with emergency stop.
- 3 Start the machine following the instructions and stay clear of the machine's moving parts.

Working Direction

We recommend to use your machine as outlined below to achieve optimum results and to reduce the risk of cutting the mains cable.

⚠ WARNING: DO NOT WORK TOWARDS THE CABLE.

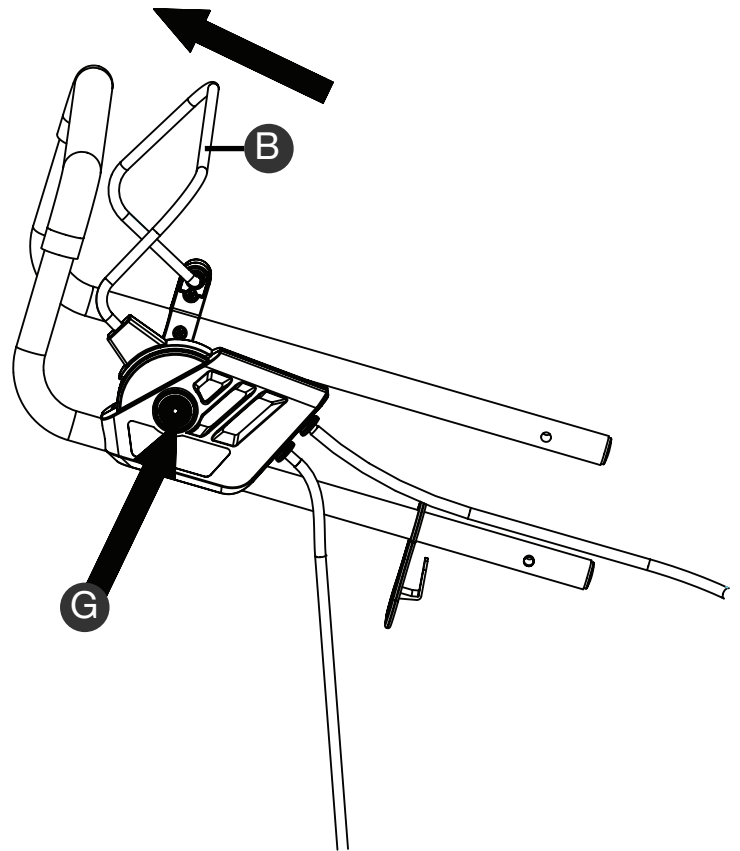
- 1 Place the bulk of the mains cable close to the starting point.
- 2 Move from position 1 to position 2.
- 3 Turn right and proceed towards position 3.
- 4 Turn left and move towards position 4.
- 5 Repeat the above steps as required.



Starting / Stopping

Starting

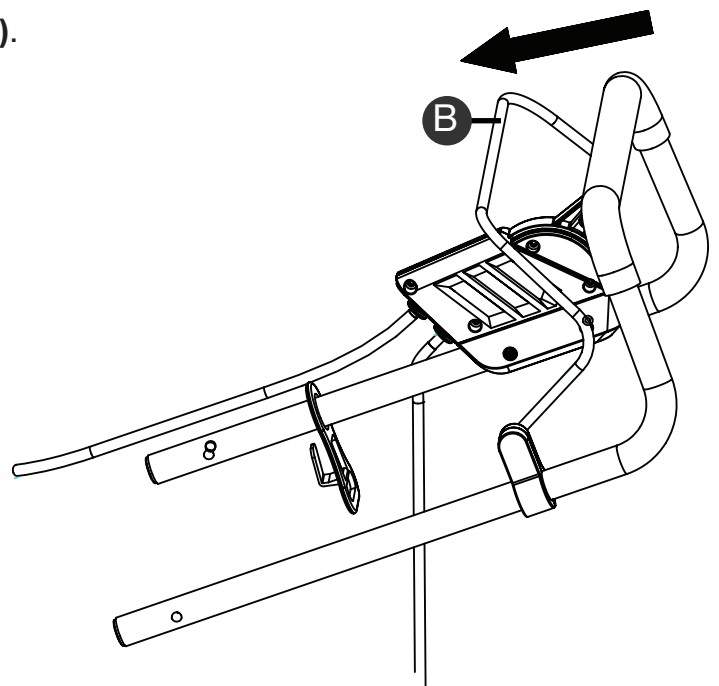
- 1 Before starting the motor, make sure the scarifier is on the lawn, but not sitting on long grass.
- 2 Make sure the cable is well away from the cutting blade.
- 3 Push and hold in the safety button (G) on the side of the handle.
- 4 Pull the Operator Presence Control lever (B) back to start motor.



Stopping

- 1 To stop the motor, release the OPC lever (B).

⚠ WARNING! Once the motor has been switched off, the cutter continues running for several seconds. Do not touch the underside of the machine until the cutter has come to a standstill.



About Scarification

What Is Scarification?

Scarification is the removal of moss, lawn clippings and dead grass blades from the stem of the grass to maintain a healthy growing environment. It is intensive airing of the lawn surface.

- Perfect for revitalising and reviving the most tired and spongiest of lawns.
- It is important to do this because the lawn gradually gets covered which results in a reduced amount of oxygen getting to the grass.
- The lawn will be able to absorb water better and it prevents water logging.
- Ventilation is important so that the lawn can absorb nutrients and it needs air to be able to breathe.

How Does It Work?

Before Scarification

Over time, your lawn collects lawn clippings, moss, etc. These create a seal and do not allow water, air and nutrients into the root of the grass.

During Scarification

Scarification removes moss, lawn clippings, and dead grass blades from the stem of the grass to maintain a healthy growing environment.

After Scarification

After scarification, the lawn will be able to absorb water and oxygen better. It will also absorb nutrients and your lawn will be able to breathe.

Scarification

The steel blades are specially designed to remove moss, thatch and dead grass. During use, the blades penetrate the ground to ensure the lawn absorbs nutrients better.

Raking

The rake rotates and during aeration, the surface of the ground is scratched. This improves water drainage and the absorption of oxygen.

For Best Results

- For best results, your lawn should be scarified every 4-6 weeks.
- We recommend scarifying the lawn in Spring and Autumn.
- We recommend aerating the lawn during the entire growing period.



Maintenance

⚠ Maintenance Safety

⚠ IMPORTANT - Routine and accurate maintenance is essential for maintaining original machine safety and performance levels.

⚠ WARNING - Before cleaning or doing maintenance work, you need to stop the machine, disconnect from the electrical supply and read the relevant instructions. You need to wear proper clothing and protective gloves whenever your hands are at risk.

⚠ If there are worn or damaged parts, never use the machine. Faulty or worn-out parts must be replaced and not repaired. You must only use original spare parts. The use of non-original and/or incorrectly fitted parts will jeopardize the safety of the machine. This may also cause accidents or personal injuries for which the manufacturer is under no circumstance liable or responsible.

⚠ Any maintenance operations or adjustments not explained in this manual must be carried out by your Dealer or a specialised Service Centre with the necessary knowledge and equipment to ensure that the work is done correctly maintaining the machine's original safety level. Any operations performed in unauthorised centres or by unqualified persons will invalidate the Warranty and all obligations and responsibilities of the Manufacturer.

⚠ Be very careful during adjustment of the machine to prevent entrapment of the fingers between moving parts and fixed parts of the machine.

Checking Your Machine

When checking your machine, we recommend you:

- Check for worn or damaged parts.
- Make sure all nuts, screws and bolts are tight.
- Make sure all warning stickers are in place and not damaged.

Transportation

Whenever the machine is to be handled, lifted, transported or tilted, you must:

- 1 Wear sturdy work gloves.
- 2 Hold the machine at the points that offer a safe grip, taking into account the weight and relative distribution of the same.
- 3 Use an appropriate number of people for the weight of the machine and the characteristics of the vehicle or the place where it must be placed or collected.
- 4 You must make sure that machine movements do not cause petrol leaks, damage or injuries.
- 5 During transport, make sure to fasten the machine securely with cables or straps.
- 6 The machine must be transported on a flat surface.

Maintenance

Cleaning

⚠ CAUTION - DO NOT use a hose pipe or pressure washer to clean the machine.

⚠ NOTE Machine must be switched off and disconnected from the power supply.

- You must remove grass and mud from the machine to prevent it from drying. This will cause problems the next time the machine is used.
- Wipe the machine down with a cloth.
- For larger build ups of debris, use a scraper or similar product.
- Avoid using solvents when cleaning plastic parts. Most plastics are susceptible to damage from various types of commercial solvents and may be damaged by their use.

Storage

Where To Store

⚠ Store in a cool, dry place away from sources of ignition and varying changes in temperature.

⚠ Store on a flat and level surface with all wheels on the ground.

⚠ DO NOT stack other items on top of the machine when in storage.

⚠ Store the machine in a safe place, out of the reach of children or anyone who is not familiar with operation.

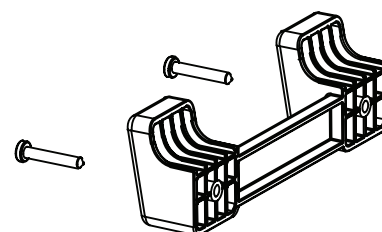
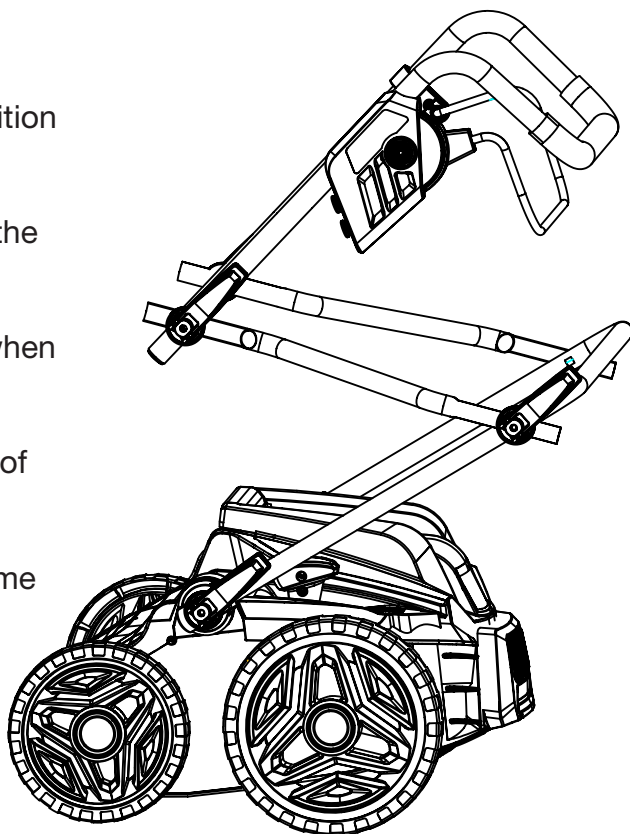
⚠ DO NOT store a machine that has not been given time to fully cool down.

How To Store

Allow the machine to fully cool down. Clean the machine, see the 'Cleaning' section. Cover in a soft dry cloth.

Wall Storage Bracket

The wall storage bracket can be attached to your shed or garage wall using two screws. For a wooden shed wall, screw directly into the wood, making sure it is strong enough to hold the weight of the machine. For a brick or block wall, use rawl plugs to screw into.




Maintenance

The Blade

WARNING

- Never touch a rotating blade.
- Check the blade in order to get a good cut. The blade should always be sharp and well balanced. At regular intervals, check the tightness of all nuts, bolts and screws.
- If the blade hits an obstacle, check for damage and if the machine vibrates badly, stop the machine and take it to a service dealer.
- It is best if all interventions on the blade are done at a specialised centre that has the special tools and equipment.

Troubleshooting

 For faults not listed in this table, or which you cannot resolve by yourself, please contact our aftersales team. Where necessary, all corrective actions should be carried out by suitably qualified persons.

Motor does not start.	<ol style="list-style-type: none"> ① Not connected to power supply. ② Power cord or plug is defective. ③ Other electrical defect to the product. ④ Lock-off button not pressed. 	<ol style="list-style-type: none"> ① Connect to power supply. ② Contact an authorised service agent. ③ Contact an authorised service agent. ④ Press lock-off button first, then the start/stop lever.
Product does not reach full power.	<ol style="list-style-type: none"> ① Extension cord not suitable for operation with this product. ② Power source (e.g. generator) has too low voltage. ③ Air vents are blocked. 	<ol style="list-style-type: none"> ① Use a proper extension cord. ② Connect to another power source. ③ Clean the air vents.



Technical Data

Specifications

Model	HYSC1500E
Voltage	230V - 50Hz
Motor Power Rating	1500W
No Load Speed	3600rpm
Working Width	36cm / 360mm
Working Depth	-12mm, -9mm, -6mm, -3mm, +10mm
Grass Collector Capacity	45L
Insulation Class	Class II
Measured Sound Level	102dB(A)
Guaranteed Sound Level	105dB(A)
Vibration Value	Max.a: 3.5m/s ² K=1.8m/2
Net Weight	11.4kg



Recycling And Disposal

Recycling And Disposal



We do not offer a takeback scheme for the recovery of Waste Electrical Electronic Equipment (WEEE) & Batteries. Instead the responsibility to dispose of WEEE and/or Batteries is passed onto you by us.

So when it becomes necessary to dispose of your machine you must take it to your local Civic Amenity Site. For further information please contact your local Authority for disposal advice.

You **MUST** make sure that all unused oil and fuel is disposed of correctly either beforehand or at your local Civic Amenity Site.

- Under NO circumstances must any fuel or oil be put down any drains.
- Certain products contain WEEE waste which should not be disposed of in your domestic waste.
- You **MUST** recycle WEEE in accordance with your local authority or recycling centre.
- Certain products contain batteries which should not be disposed of in your domestic waste.
- You **MUST** recycle batteries in accordance with your local authority or recycling centre.
- Unwanted packaging and materials should be stored and taken to a recycling centre so it can be disposed of in a manner which is compatible with the environment.

We are a Member of the VALPAK National Compliance Scheme and our registration number is **RM08660**. For further information about disposal please contact your Local Authority.

You can also get more advice and guidance about recycling at the following website
<http://www.recycle-more.co.uk>

Should you pass this product on to another user either sold or loaned, you **MUST** pass on this user manual. This will make sure that all other users can use and maintain this machine safely.

Environmental Protection

1. Environmental protection should be a priority of considerable importance when using the machine, for the benefit of both social coexistence and the environment in which we live. Try not to cause any disturbance to the surrounding area.
2. You must comply with local regulations and provisions for the disposal of packaging, oils, petrol, filters, damaged parts or any elements which have a strong impact on the environment. This waste must not be disposed of as normal waste. It needs to be separated and taken to specified waste disposal centres where the material will be recycled.
3. You must comply with local regulations for the disposal of waste materials after mowing.
4. When disposing, do not pollute the environment with the machine, but hand it over to a disposal centre, in accordance with the local laws in force.



Declaration Of Conformity

EC Declaration of Conformity

We hereby declare that the machine detailed in this declaration complies to all the relevant provisions of the following EC directives.

- 2006/42/EC The Machinery Directive
- 2014/30/EU Annex II Electromagnetic Compatibility Directive
- 2000/14/EC & 2005/88/EC Outdoor Noise Emissions Directive

And is in conformity with the applicable requirements of the following documents:

- EN60335-1:2012/A2:2019, EN 50636-2-92:2014
- EN62233:2008
- EN 55014-1:2017, EN55014-2:2015, EN6100-3-2:2014, EN6100-3-3:2013

Notified Body: TÜV SUD Shanghai Branch.

Model	Type	Motor watts	Measured Sound Power	Guaranteed Sound Power
HYSC1500E	Electric Scarifier	1500w	102dB(A)	105dB(A)

Product Details:


Brand: Hyundai

Model: HYSC1500E

Description: Electric Scarifier

Name and address of technical documentation holder and EU distributor:

Genpower Ltd, Isaac Way, Pembroke Dock, Pembrokeshire, SA72 4RW, UK.

Signed by: 

Roland Llewelin, Managing Director

Date: 16/12/2019



Useful Information

Check Out Our YouTube Channel

Our videos on YouTube include:

- Unboxing
- Assembly of your machine
- How to service your machine
- Products in use
- 'How To' videos
- Product features

Go to www.hyundaisupport.co.uk or search 'Hyundai Power Products' in YouTube.

Warranty

Proof of purchase will be required before you make a warranty claim.

Full warranty terms and conditions can be found on the HYUNDAI POWER PRODUCTS website: www.hyundaipowerproducts.co.uk

Manual Updates

Our manuals are constantly being reviewed and updated. Should you find an error, omission or something unclear, please contact us for assistance.

We reserve the right to make any modifications without prior notice whenever necessary.

Our latest manuals are also placed online.

All our manuals can be downloaded at: www.hyundaipowerproducts.co.uk

Returning Your Product

If you are returning your product, please contact the dealer for their returns policy.

Leaving A Review

We work very hard to give all of our customers the best possible service. If you have any problems, before leaving negative feedback, please contact us to give us a chance to resolve the issue. We would be delighted if you left us positive feedback!

To leave a review, please go to: uk.trustpilot.com/review/hyundaipowerequipment.co.uk

Ordering Spare Parts

You can find the spare part you are looking for in the 'Spare Parts' section of this manual or visit power-spares.co.uk



Our Product Range

Generators

Leisure Inverter, Petrol, Diesel And Built-In Motorhome Generators

Pressure Washers

Petrol, Diesel And Electric Pressure Washers

Water Pumps

Submersible, Clean And Dirty Water And Professional Chemical Water Pumps

Lawnmowers

Petrol, Cordless, Electric, Roller, Self Propelled, Electric Start And Robotic Lawnmowers

Grass Trimmers And Brush Cutters

Petrol, Cordless, Electric And Wheeled Grass Trimmers And Brush Cutters

Chainsaws

Petrol, Cordless And Electric Chainsaws

Hedge Trimmers

Petrol And Cordless Hedge Trimmers

Leaf Blowers

Petrol, Electric, Cordless, Backpack And 3 -in-1 Leaf Blowers

Log Splitters

Horizontal, Vertical, Petrol And Electric Log Splitters

Wood Chippers

Petrol And Electric Start Wood Chippers

Tillers

Petrol Garden Tiller And Cultivator

Earth Augers And Trenchers

Petrol Earth Augers And Heavy Duty Trenchers

Compactor Plates

Petrol Compactor Plates

Cement Mixers

Portable Electric Cement Mixers

Mini Dumpers

4-Wheel Drive Mini Dumpers And Tracked Dumpers

Yard Sweeper

Self Propelled Yard Sweeper Power Brush

Scarifiers

Petrol Lawn Scarifier And Aerator

Stump Grinders

Petrol 4-Stroke Stump Grinders

Welders And Plasma Cutters

MIG, TIG, MMA, ARC Welders And Plasma Cutters

Power Tools And Tool Chests

Electric And Cordless Power Tools And Filled Tool Chests

Vacuum Cleaners

Wet And Dry Vacuum Cleaners

Engines

Petrol And Electric Start Engines

Battery Chargers / Starters

6V, 12V, 24V Battery Chargers, Jump Starters And Hydraulic Floor Jack

Air Compressors

Home, Domestic, DIY And Professional Use Air Compressors

Lighting Towers

Mobile Lighting Towers With Diesel Generators

Portable Power Stations

Camping Power Packs And Solar Chargers

And More

We Are Constantly Expanding Our Range With New Products

If you would like more information on any of these products, please contact our sales team on 01646 687880 or visit our website www.hyundaipowerproducts.co.uk



Product Information

Information

As soon as you have purchased the machine, we recommend that you fill out the following. If you need to contact an authorised dealer or customer service for information on servicing, you may need to provide the following information.

The model number and serial number can be found on the grey specification sticker on your machine.

Date Of Purchase:

Dealer Name:.....

Dealer Phone:.....

Model Number:.....

Serial Number:.....



Need Help? Talk To Our Experts

Contact Us

Our friendly aftersales team will be more than happy to help you.



Phone

Call our team on 01646 687880, open Monday-Friday 8.30am-5pm.



Email

aftersales@hyundaipowerproducts.co.uk



Online Live Chat

Go to www.hyundaipowerproducts.co.uk

Live chat is open Monday-Friday from 8.30am-5pm.



Post

Genpower Limited, Isaac Way, Pembroke Dock, Pembrokeshire, SA72 4RW, UK.



HYUNDAI

POWER PRODUCTS

Importer:
GENPOWER LTD
Isaac Way, London Road,
Pembroke Dock, UNITED KINGDOM, SA72 4RW
T: +44 (0) 1646 687 880 F: +44 (0) 1646 686 198
E: info@hyundaipowerproducts.co.uk
www.hyundaipowerproducts.co.uk

Imported/Distributed by Genpower Ltd for The United Kingdom & Ireland

Licensed by Hyundai Corporation, Korea