



**PETROL LAWN MOWER**  
**BENZIN-RASENMÄHER**  
**CORTACÉSPED DE GASOLINA**  
**TONDEUSE THERMIQUE**  
**FALCIATRICE A BENZINA**  
**KOSIARKA SPALINOWA**  
**EQ2-700X**

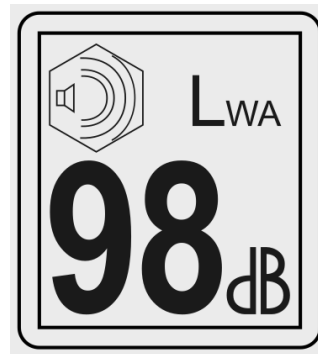




A



B



C



D

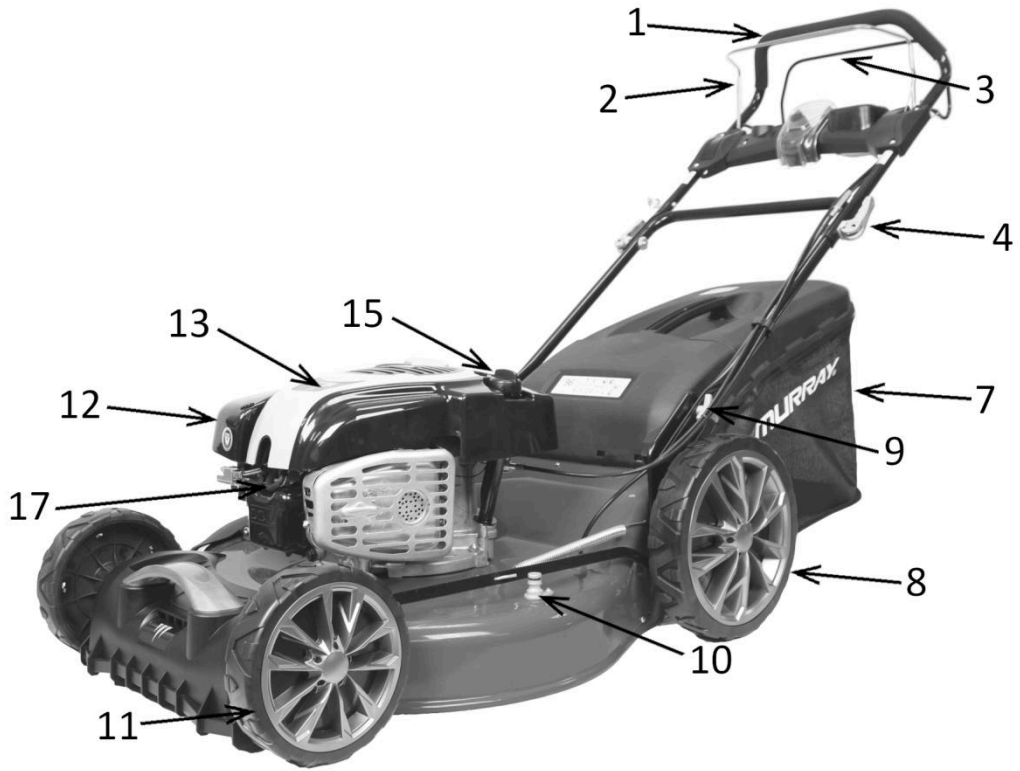


Fig. 1

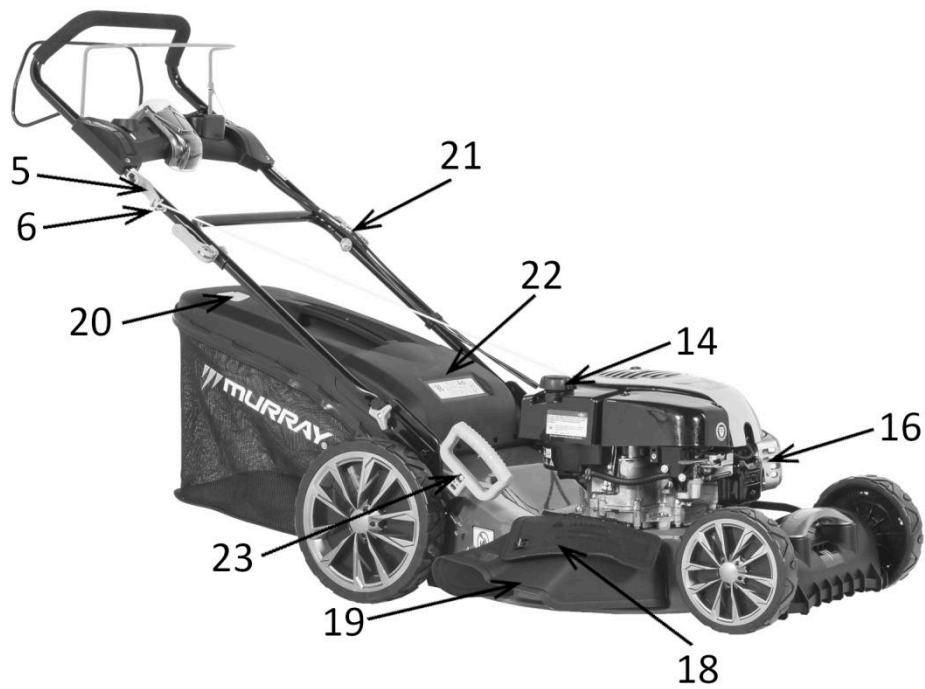


Fig. 2



Fig. 3

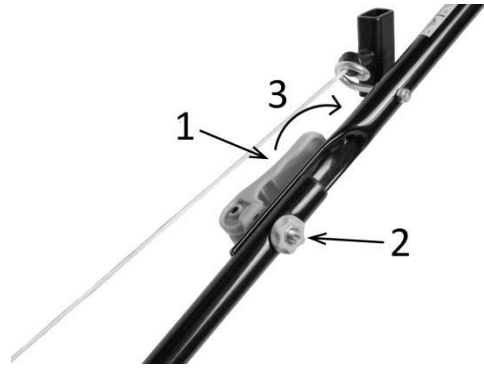


Fig. 4



Fig. 5



Fig. 6A



Fig. 6B



Fig. 7A



Fig. 7B



Fig. 8A



Fig. 8B



Fig. 8C



Fig. 9



Fig. 10



Fig. 11A



Fig. 11B



Fig. 12



Fig. 13



Fig. 14A



Fig. 14B



Fig. 14C



Fig. 14D

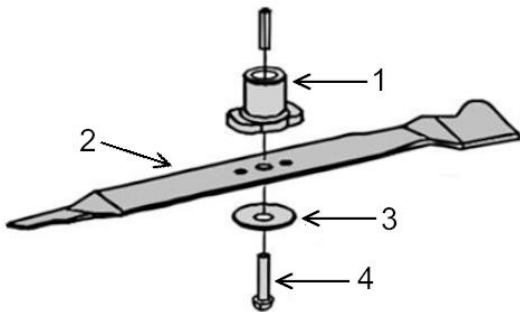


Fig. 15A

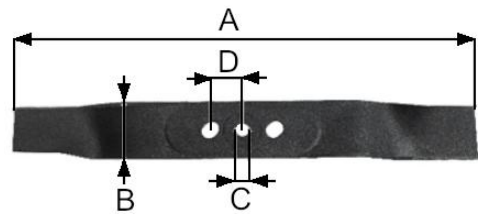


Fig. 15B



Fig. 16A



Fig. 16B



Fig. 17

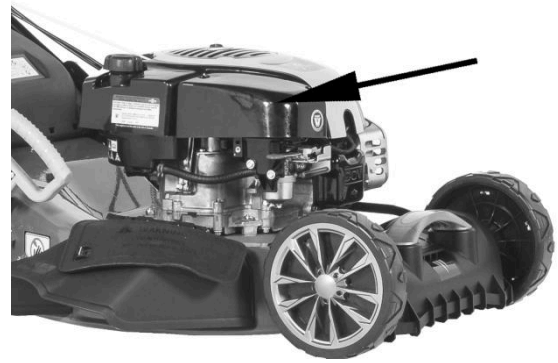


Fig. 18A

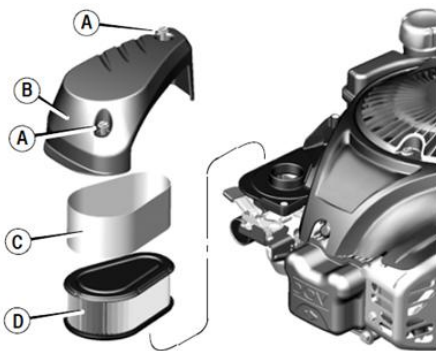


Fig. 18B

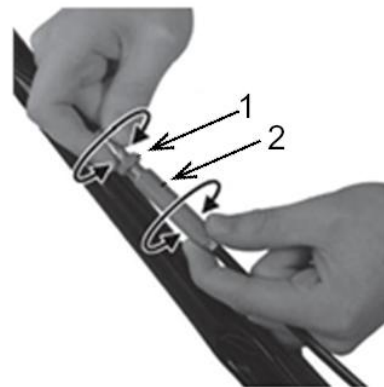


Fig. 19

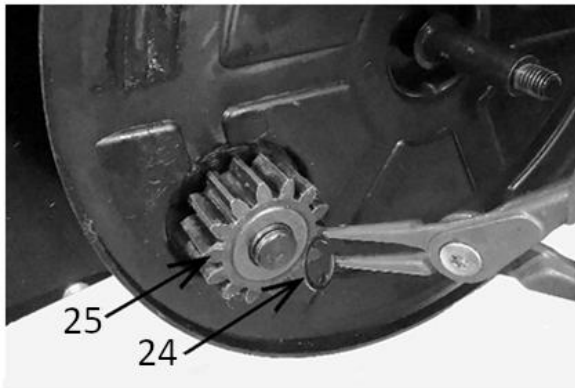


Fig. 20

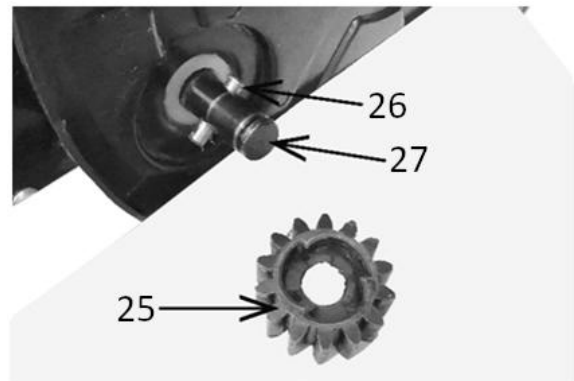


Fig. 21

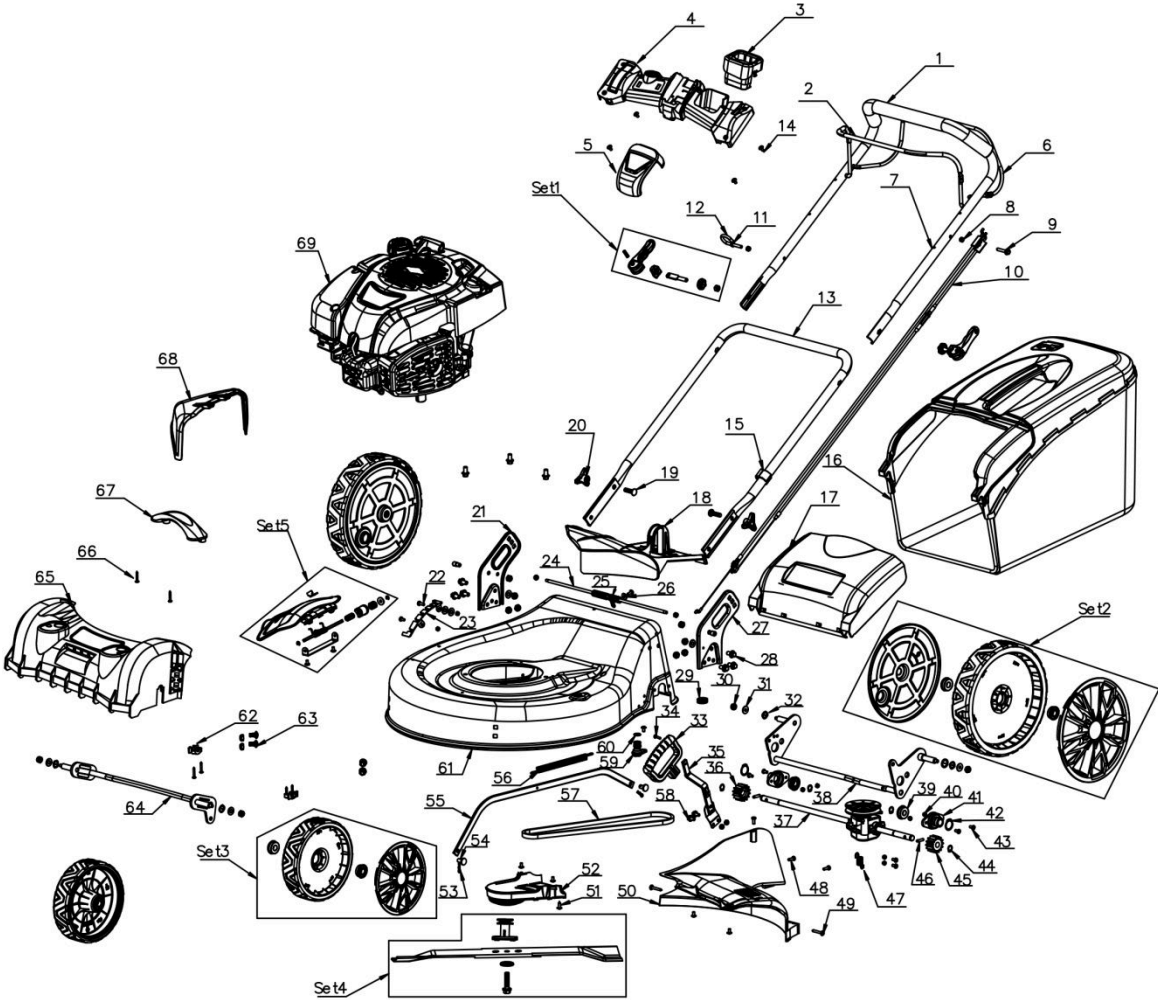


Fig. 22





<b>EN English</b> (User manual and warranty card)	<b>10 - 31</b>
<b>DE Deutsch</b> (Bedienungsanleitung und Garantiekarte)	<b>32 - 55</b>
<b>ES Español</b> (Manual del usuario y tarjeta de garantía)	<b>56 - 78</b>
<b>FR Français</b> (Manuel d'utilisation et carte de garantie)	<b>79 - 102</b>
<b>IT Italiano</b> (Manuale d'uso e certificato di garanzia)	<b>103 - 126</b>
<b>PL Polski</b> (Instrukcja obsługi i karta gwarancyjna)	<b>127 - 149</b>



**Warning! Before assembly or operating, read the Operator's Manual.**

**The device is intended for household areas.**

**Using the device for professional, semi-professional or commercial purposes voids the warranty.**

Original operation manual, edition 1/2022

This manual should be treated as an integral part of the device. It should be stored in the place provided for it so that it is easily accessible. Remember to pass on the operation manual to a new owner or user if the device is resold or transferred to another person.

## **TABLE OF CONTENTS**

Table of contents	10
Technical data	11
Description of graphic pages and pictograms	11
Safety rules for machines and devices with internal combustion engine	12
General safety regulations	12
Detailed safety regulations	15
Safety and producer's liability	18
Residual risk	18
Usage	18
Preparing for operation	18
Construction of a lawn mower	19
Operation	21
Maintenance	23
Transportation	25
Problems review and diagnosis	26
Warranty and service	27
Declaration of conformity	28
Warranty conditions	30
Warranty card	31

**TECHNICAL DATA**

<b>Type, model</b>	<b>EQ2-700X</b>
Engine	B&S 750EX DOV
Engine type	single cylinder, four-stroke, air-cooled, DOV
Fuel	unleaded petrol 95 Pb
Engine capacity	161 cc
Machine rated power	2,61 kW – 2900 rpm
Maximum torque	9,5 Nm – 2400 rpm
Maximum rotation speed	2900 rpm
Fuel tank capacity	1 L
Oil pan capacity	0,6 L
Housing	steel
Basket capacity	75 L
Cutting width	56 cm
Cutting height	25-75 mm, 6 steps
Guaranteed sound power level LWA	98 dB (A)
Sound pressure (acoustic pressure) LpA	LpA=82,5 dB (A), K=3 dB (A)
The value of vibrations transmitted by the machine and acting on the operator's upper limbs	ahv=5,569 m/s <sup>2</sup> , K=1,5m/s <sup>2</sup>
Equipment mass	34,1 kg
Year of manufacture	2022

The device includes:

- lawn mower,
- basket,
- bolts, nuts,
- operation manual,
- warranty card,
- guarantee conditions,
- EC declaration of conformity.

**DESCRIPTION OF GRAPHIC PAGES AND PICTOGRAMS**

Pictograms pages 2.A

1. Attention! Danger. Caution.
2. Important! Read the operation manual and follow the warnings.
3. Danger of injury from objects thrown out by the working machine. Keep away from unauthorized persons.
4. Keep a safe distance from buildings.
5. Do not cut grass on slopes towards slopes.
6. Note: Disconnect the high-voltage pipe from the spark plug before maintenance and / or repair.
7. Keep out of the reach of children.
8. It is prohibited to work in the rain.
9. Note: Keep hands and feet away from the knife blades.
10. Never work with the ejection flap raised. Objects picked up by the mower blade can be dangerous.
11. Check and clean the area before starting work.
12. Keep unauthorized persons away from the working mower.
13. Note: Keep hands and feet away from rotating parts.

14. Before cleaning, repairing / checking the machine, make sure that the blade and all moving parts have stopped.
15. Risk of fire or explosion. Gasoline is highly flammable.
16. Note: A hot surface can cause burns.
17. Wear safety goggles.
18. Wear ear protection.
19. Use protective gloves.
20. Wear protective footwear
21. Attention! Four-stroke engine, do not mix gasoline and oil. The machine has two separate tanks and oil and petrol fillers.
22. The blade rotates for a few seconds after switching off the mower. Do not move the mower whose blades are not completely stopped.
23. Note: Exhaust gases are harmful to health. There is a danger of poisoning or suffocation. Do not use the device indoors.
24. Do not dispose of used equipment. It is the user's responsibility to hand over used equipment to a designated collection point for waste recycling.

#### **OTHER MARKINGS ON THE MACHINE**

1. Name plate (page 2.B)
2. The type plate is located on the rear of the mower housing. The information on the plate is necessary to determine the appropriate spare parts and service activities
3. Guaranteed sound power level (page 2.C)
4. Warnings and other labels (page 2. D)

#### **SAFETY RULES FOR MACHINES AND DEVICES WITH COMBUSTION ENGINE**



##### **Warning!**

- Read this manual thoroughly. Familiarize yourself with the safety regulations and with the control systems and the principles of proper use of the device.
- Failure to observe the following warnings and safety instructions may result in electric shock, fire and / or serious injury.
- Retain this operation manual for reference.
- This equipment is not intended for use by persons (including children) with reduced physical, sensory or mental capacity or without experience or knowledge of the equipment, unless supervised or in accordance with instructions for use given by persons responsible for their safety.
- Do not allow the device to be used by children, adolescents up to 16 years of age and people not acquainted with the device's operation manual.

#### **GENERAL SAFETY REGULATIONS**

##### **WORKING AREA SAFETY**

- Ensure good lighting and order in the workplace. Cluttered and dark areas contribute to accidents.

- Keep children and observers away from places where devices with an internal combustion engine are used. Distractions can cause loss of control of the device. Garden equipment should be left away from unauthorized persons.
- The operator or user is responsible for accidents or hazards occurring to other people or the environment.

### **SAFETY DURING WORKING WITH FUEL**

- The internal combustion engine is designed to run on gasoline or a fuel mixture (see type of fuel in the device's technical data).
- Gasoline should be stored only in specially prepared containers (canisters).
- Store gasoline away from factors that could cause a fire, e.g. bonfires, open flames, where there is electric sparking, elevated temperature, welding sparks or other heat sources that can cause fuel to ignite.
- The fuel tank should only be filled outdoors.
- It is extremely dangerous to smoke cigarettes or use open flames when the machine is running or when filling the fuel tank.
- Always turn the engine off and cool before filling the tank with fuel.
- Do not fill the tank above the lower edge of the filler neck, gasoline has a high thermal expansion.
- If you spill fuel, immediately wipe up spilled gasoline with a dry cloth.
- When filling the fuel tank, be careful not to spill fuel on clothing. Gasoline-soaked clothing can catch fire and should be changed immediately.
- After filling the tank with fuel, tighten the cap tightly and before starting the engine, move the fuel canister to a place at least 3 m away from the place where the filling was carried out.
- Before starting the engine, check the tightness of the entire fuel system, especially the fuel tank, fuel lines, connectors, filler cap and carburetor area. Do not start the engine if you detect a leaking fuel system as it may cause a fire.
- The device should not be operated in explosive atmospheres, which form flammable liquids, gases or dust. The internal combustion engine may create sparks which may ignite the dust or fumes.
- Do not use the device if you have trouble turning it off. Any device that cannot be turned off is dangerous and must be repaired.
- Do not store the device with filled fuel tank indoors. Gasoline vapors are flammable and dangerous to health.



#### **Caution!**

- Avoid breathing gasoline vapors and exhaust fumes. Gasoline, gasoline vapors and exhaust fumes can cause poisoning.
- Do not operate the device in closed or poorly ventilated rooms. In case of headache, nausea, hearing or vision impairment, stop work immediately.

### **PERSONAL SAFETY**

- Be foresightful, watch what you do, and use common sense when working with the equipment. Do not use the equipment when you are tired or under the influence of drugs, alcohol or medication. A moment of inattention during work can cause serious personal injury.

- Protective equipment should be used. Always wear safety glasses. Wearing protective equipment such as a dust mask, non-slip shoes, helmet or hearing protectors under the right conditions will reduce personal injury.
- Before starting the equipment, remove all objects and keys. Leaving the key in the rotating working part of the machine can cause personal injury.
- Do not lean too far. You should always stand firm and balance. This will allow better control in unpredictable situations.
- Dress properly. Do not wear loose clothing or jewelry. Keep your hair, clothing and gloves away from moving parts. Loose clothes, jewelry or long hair can be caught in moving parts.
- When working, hold the tool by the additional handles if the tool is equipped with them. Losing control of the tool carries the risk of injury.
- Do not use the device if you have trouble turning it off. Any device that cannot be turned off is dangerous and must be repaired.



**Caution! Despite the use of a safe structure by design, the use of protective measures and additional protective measures, there is always a residual risk of injury during work.**

#### **USE AND CARE FOR EQUIPMENT**

- Do not overload the tool. Use a tool with the power appropriate for the work. Properly selected equipment will enable better and safer work under the load for which it was designed.
- Store the unused equipment out of the reach of children. Do not allow people not familiar with the tool or this manual to use the equipment. Internal combustion tools and equipment are dangerous in the hands of untrained users.
- Internal combustion tools must be maintained. Check alignment or jamming of moving parts, cracked parts and all other factors that may affect the operation of the device. If damage is found, the equipment must be repaired before use. Many accidents are caused by improper repair and / or maintenance of the equipment.
- Before using the device, replace all defective, worn and damaged parts. Replace with new warning signs on the device if they become illegible or damaged.
- Warning decals and spare parts can be ordered from Murray service and authorized dealers.
- An internal combustion tool, equipment, working tools etc. should be used in accordance with these instructions, taking into account the conditions and the type of work to be performed. Using the device in a manner not intended for it may be dangerous.

#### **OPERATION AND EXPLOITATION OF TOOLS EQUIPPED WITH A BATTERY**

- Before inserting batteries into the tool, make sure that its on / off switch is in the "off" position. Inserting the batteries into the device when the on / off switch is in the "on" position can cause serious injury.
- Use only the charger recommended by the manufacturer. Using a charger to charge other types of batteries may cause a fire.
- Never use batteries other than those recommended by the manufacturer. Use of other batteries may result in serious injury or fire.
- When the device is not in use, remove the battery. The battery should be kept away from metal objects such as paper clips, coins, nails, screws, etc., which may short-circuit the battery terminals. Shorting the battery terminals together may cause burns or a fire.

- Under extreme conditions, liquid may escape from the battery. You must avoid contact with it. If it accidentally it comes into contact with liquid - rinse immediately with water. If liquid gets in your eyes, contact your doctor immediately. Liquids leaking from the battery may cause irritation or burns.
- It is forbidden to use chargers and power supplies outside the rooms and in rooms with high humidity such as bathrooms or basements.



**Caution! Chargers and power supplies for battery devices are intended for indoor use in a dry environment. Danger of electric shock and / or damage to the device.**

#### **REPAIR**

- Before carrying out any adjustment, part replacement or storage, the spark plug wire must be removed. Such preventive safety measures reduce the risk of accidental starting.
- Repair should be performed by a qualified person using only original spare parts. This will ensure further safe operation of the device. It is recommended to have any service performed by an authorized MURRAY service center.



**Caution!** Danger of suffocation when children play with the packaging. The packaging, especially the foil bag, should be stored out of the reach of children.

#### **DETAILED SAFETY PROVISIONS FOR MOWERS**



##### **Warning!**

- Beware of sharp knife edges. The blades rotate even after the engine has been turned off.
- You can only use the chain saw in good technical condition, perform the necessary actions if necessary or contact the service center. It is recommended to use the services of an authorized MURRAY service.
- Before starting, check if:
  - the device is assembled according to the operation manual;
  - the cutting tool and the whole cutting unit (three-armed knife or head with a cutting line, fastening elements, construction of the cutting unit) are in good technical condition; regularly check their attachment, damage and wear (depressions, cracks);
  - safety devices (e.g. ejector cover, housing, steering handle, engine brake lever) are in good technical condition and work properly;
  - the grass catcher is undamaged and correctly mounted, you cannot use a damaged grass basket.
- The mower must not be switched on unless the blade is correctly mounted. Danger of dangerous vibrations!
- Cutting tools should be sharp and clean. Properly keeping sharp edges of cutting tools reduces the likelihood of jamming and simplifies handling.
- Before adjustment, cleaning, maintenance, switch off the device and remove the high voltage cable from the spark plug.
- Do not mow when other people, especially children or pets, are nearby.
- Do not start a damaged mower.
- Do not touch the knives until the equipment is turned off and the knives do not stop completely.
- Do not lift or carry the device with the engine running.

- Turn off the mower and remove the high voltage cable from the spark plug when:
  - you leave the equipment unattended,
  - before adjusting the lock,
  - before checking, cleaning or repairing the device,
  - after hitting with a foreign object,
  - before cleaning the outlet,
  - if excessive vibration occurs.

### PREPARATION

- When mowing, always wear solid footwear and long pants, do not operate the device without shoes or wearing sandals.
- Check carefully the area where the device will work and remove all stones, branches, wires, bones and other foreign objects.
- In high grass, you may not notice obstacles (e.g. stumps, roots), so before starting work with the device, mark all obstacles hidden in the grass that cannot be removed.
- Always check the blades, bolts and knife assembly for wear and damage before use. Replace worn or damaged knives and bolts in pairs to maintain balance.
- In the case of multi-knife devices, be careful, because the rotation of one knife may cause the rotation of other knives.

### KNIFE SHARPENING

- To ensure optimal working conditions for the mower, the machine's knife should be sharpened. This seemingly simple operation must be carried out with special care. It requires a lot of technical knowledge and necessary service equipment. The manufacturer is not responsible for any damage to the mower related to improper knife sharpening.  
The recommended angle is 30 °.
- It is safe to have the knife sharpened by an authorized MURRAY service center.
- Before sharpening, the mower should be turned off, allow the engine to cool down, remove the high voltage cable from the spark plug, if necessary remove the battery and unscrew the knife.
- The knife can be sharpened manually, using a whetstone or a suitable metal file, it is preferable to sharpen with a professional sharpener, all the time bearing in mind that the blade may overheat, thus it will not be suitable for work. It is recommended to use liquid coolant for metalworking, it is permissible to use water all the time, bearing in mind that not all sharpening machines can work in the coolant stream. The blue surface of the blade indicates damage to the knife, which should no longer be used.
- **After each sharpening, the knife must be balanced.** If the user does not have a balancing machine and the appropriate knowledge, it is necessary to return the knife to a specialized service for balancing. Working with an unbalanced knife causes excessive vibration and, as a consequence, may cause loosening of the screw connections of the entire device, including the knife attachment screw, which may be dangerous to the health and life of the user.

### USAGE

- Mow only in daylight or in good artificial light.
- Do not mow during rain, especially during a storm. Avoid mowing wet grass.
- Always make sure that your legs stand firmly on the slope.



- Come on, never run. Remember to keep a secure position.
- Mow across slopes, never up or down.
- Be very careful when changing the direction of travel on a slope.
- Do not mow on excessively sloping slopes.
- Pay special attention when reversing or pulling the device towards you.
- Turn off the machine if it is to be tilted or when moving it over non-grass surfaces and when transporting it to the mowing site and back again.
- Before transporting the mower, cool the engine, drain fuel and oil.
- Do not use the device with damaged covers or housings or without safety devices, e.g. attached covers and / or grass containers.
- Start the engine according to the instructions, making sure that the feet are away from the cutting tools.
- Do not start the mower when it is tilted, unless it is necessary to start in high grass. In this case, press the handle to lift the front of the machine, but only as much as is necessary, and then slowly lower the mower to the ground. Make sure that both hands hold the handle securely throughout the operation.



**Attention! The B&S engines cannot operate on a slope above 15°.**

- Do not keep your hands and feet near rotating parts. For rotary mowers, make sure that the discharge opening is not blocked at all times.
- When starting the powered mower, do not pull on the drive start lever.

## MAINTENANCE AND STORAGE



### Warning!

- Before carrying out any repair or maintenance operations, make sure that the mower has the spark plug high voltage cable removed and there are no children or third parties nearby.
- Remember that there may be fuel in the machine's tank. Safety rules for handling fuel are described in this manual in the section "Safety in handling fuel".
- Keep all nuts, bolts and screws in good condition to make sure that the device will work safely. Check the grass container often for wear or damage.



Make sure you use the right type of knives.

After finishing work, the mower should be cleaned. The fuel tank must be empty. Place the mower on the handle (spark plug up). Use a brush to clean the inside of the mower housing from grass and dust, and possibly protect metal parts with anti-corrosive agents. You can clean the entire mower with a damp cloth and, if necessary, protect it with varnish paste.

The mower must be stored in a well-ventilated room in a dry, dust-free place. Check that the grass basket is empty and properly cleaned. Rotting grass can damage the basket.

Only a functional mower should be stored, if necessary, the faults must be rectified before storage.

If the mower is equipped with a battery, remember that the optimal storage conditions for the battery are 10 to 21° C, low humidity, 50% charged battery.

## **IN CASE OF AN ACCIDENT OR FAILURE**

In the event of an accident, stop / turn off the machine immediately and call for help (if required).

In the event of a fault, stop / turn off the machine and contact an authorized service center to avoid the fault.

## **SAFETY AND PRODUCER'S LIABILITY**

Any use of the mowers, other than described in this manual is considered improper and the manufacturer is not liable for any damage or damages resulting from such a procedure.

Proper use also includes respecting the operating, maintenance, storage and repair conditions established by the manufacturer.

To prevent accidents, all safety precautions and hazard avoidance must be followed.

Any changes in the construction of the device made by the user may affect the safety of use of the machine and release the manufacturer from liability for damage or injuries.

## **RESIDUAL RISKS**

Despite the fact that the machine manufacturer bears responsibility for its construction eliminating danger, certain elements of risk during operation are unavoidable. The residual risk arises from the erroneous behavior of the machine's operator.

The greatest danger occurs when performing the following prohibited activities:

- use of the device by children,
- use of the machine for other purposes than described in the Operation Manual,
- when other people, especially children or animals are nearby,
- use of the device by people not acquainted with the operation's manual,
- using the device without proper, protecting operating clothing and footwear protecting foot,
- using the device with damaged covers or casing and without properly installed safety devices.

When observing the instructions in the operating manual, the residual hazards of using the machine may be eliminated. There is a risk in case of failure to comply with the above recommendations.

## **USAGE**

The device is intended only for mowing lawns in accordance with the description and safety rules contained in these instructions for use. Other applications may be dangerous to users and may cause damage to the equipment.

The machine should not be used to:

- collecting leaves or cleaning the area of dry plants,
- leveling molehills,
- cutting bushes,
- chopping branches.

## **PREPARING FOR OPERATION**

The mower is supplied by the manufacturer in a cardboard packaging in a partially disassembled state. After reading the operating manual and assembly drawings, it should not be too difficult to assemble the mower. All necessary components for assembly are included in the packaging. This

operation manual applies to various models of mowers. The mower described may differ from your purchase. Read the passages that refer to the device model you have.

## **CONSTRUCTION OF PETROL MOWER**

Illustrative drawings can be found on page 3, Fig. 1-2

- 1 Handle
- 2 Engine brake lever
- 3 Drive lever with line
- 4 Clamp lever
- 5 Starter handle with cable
- 6 Starter cable attachment point
- 7 Basket
- 8 Rear wheel
- 9 Handle connection nut with housing
- 10 Water cleaning system connection
- 11 Front wheel
- 12 Air filter cover
- 13 Engine
- 14 Fuel-filler cap
- 15 Oil filler cap
- 16 Muffler
- 17 Spark plug pipe
- 18 Side discharge cover
- 19 Side discharge chute
- 20 Basket full indicator
- 21 Cable adjustment
- 22 Grass ejection cover
- 23 Cutting height adjustment lever

## **ASSEMBLY**

The mower handle is factory set in the storage position.

- Set the lower handle to the use position, making sure that the handle is between the stops and tighten it with the wing nut (Fig. 3).
- Set the upper handle to the use position and lock it with the clamping lever. Turning the nut changes the length of the clamping lever bolt, thus increasing or reducing the clamping force. Fastening occurs when the clamp is pressed against the handle in the direction of the arrow on Fig. 4.



**Attention! Too short the bolt with a nut may cause the clamping lever not to be tightened, and consequently damage the lever.**



**Attention! When unfolding and folding the handle, make sure that the engine brake cable does not break or bend. A bent or otherwise damaged cord may prevent the mower from working properly.**

- Fasten the starter rope handle 5 (Fig. 2) at the attachment point 6 (Fig. 2).



**Attention! The starter rope extends with resistance. Pull the engine brake lever towards you and slowly pull the cable out to the necessary length. Remember that pulling the starter cord vigorously can start the mower.**

### FILLING THE ENGINE WITH OIL

The engine is not filled with oil at the factory. There may be traces of oil remnants in the engine after factory inspection. Before first start-up, pour approximately 0.6L of recommended B&S SAE30 engine oil (Fig. 6A), checking its level on the dipstick integrated with the oil filler cap (Fig. 6B).

The oil level must be between the lines: min. / max.

Original engine oil for B&S SAE30 for lawn mowers is recommended.

The first oil change should be carried out after 5 hours of mower operation, after burning about two fuel tanks. The next oil changes should be carried out every 25 hours of work, but at least once a year.

Drain the used oil while the engine is still hot.

Regularly check the oil level before each use.

If necessary, top up oil.



**Attention! Used oil should not be disposed of by accident, dispose of it in the sewage system or directly into the environment. Take it to an oil disposal point.**

### REFUELING

- Before using, familiarize yourself with the safety, use, handling and storage principles contained in this Operation Manual.
- Fuel should be poured outside, in a place where there is no risk of sparks or flames.
- Gasoline should only be stored in suitable containers (canisters) that are approved. Check the condition of fuel storage containers regularly.
- Fuel tanks must be securely closed. For safety reasons, replace damaged fuel filler caps.
- Do not use beverage bottles or similar to store consumables, e.g. fuel or oil, as other people, especially children, could drink from them.
- The fuel tank should only be filled outdoors; do not smoke while refueling.
- Gasoline should be topped up before starting the internal combustion engine.
- Do not unscrew the fuel tank cap or add fuel while the internal combustion engine is running or when the engine is hot.
- Do not overfill the fuel tank! Due to the thermal expansion of the fuel, do not fill the tank above the lower edge of the filler neck.
- The device must not be stored with the fuel tank filled indoors. The resulting gasoline vapors may come into contact with open flames and ignite. If the fuel tank needs to be emptied, it should be done outdoors. Before starting the machine, make sure that there is no spilled fuel on or near the machine. If necessary, wipe off the fuel.



**Attention!** Gasoline vapors are flammable. Before starting the mower, make sure that the working machine is not less than 3m from fuel tanks.

## **OPERATION**

### **BRAKE LEVER**

Pull the brake lever 2 (Fig. 1) before starting the engine to the handle 1 (Fig. 1) as show in Fig. 8A. By releasing the brake lever, the engine and cutting knife stop.

### **ENGINE STARTING**



**Warning!** When the engine is running, the cutting blades rotate.

1. Check the oil level (Fig. 6B).
2. Fill the fuel tank with clean, unleaded gasoline (Fig. 5). Make sure the spark plug wire is connected to the spark plug (Fig. 7A, B).
3. Stand behind the mower. Hold the brake lever with one hand 2 (Fig. 1) in the working position as shown in the Fig. 8A.
4. With your other hand, grasp the starter cord handle 5 (Fig. 2), as shown in the Fig. 8C.
5. Lightly pulling the cord towards you, remove the starter slack, and when you feel resistance, pull the cord hard and vigorously and let it slowly go back to its place.
6. Do not release the line handle until the line is pulled through the starter return system.
7. If the engine does not start after 5-6 strokes, follow the directions in the "Inspection and Troubleshooting" chapter.

### **WORKING WITH A DRIVE**

To start the drive, pull it to the handle 1 (Fig. 1) drive lever 3 (Fig. 1), as show in the Fig. 8B.

You can turn off the drive at any time by releasing the drive lever and operate the device like a mower without a drive.

### **MOWING HEIGHT SETTING**



**Attention!** Before changing the cutting height, stop the engine and disconnect the spark plug cable.

To set the desired cutting height, change the position of the adjustment lever 23 (Fig. 2) located on the housing of the mower (Fig. 9).

You can choose from 6 different cutting heights in the range of 25 - 75 mm.

### **INSTALLING THE GRASS BASKET**

1. Raise the mower basket cover 22 (Fig. 2).
2. Insert the basket 7 (Fig. 1) attaching the hooks at the inlet to the basket on a rod designed for this purpose (Fig. 10) at the mower outlet cover, then lower the cover.
3. Make sure the hooks are attached correctly.



**Warning!** Often check the technical condition of the grass basket. If any parts are worn or damaged, they must be replaced with new parts that are available at authorized service centers.

### **EMPTYING THE GRASS BASKET**

**Warning!** Stop the engine before emptying and removing the basket.

Basket full indicator 20 (Fig. 2) allows you to quickly assess the level of basket filling. If the indicator plate is raised while the mower is running (Fig. 11A), it means that the basket is not full yet. If the

indicator plate is in a horizontal position (Fig. 11B) during the mower's operation, it means that the basket is full and should be emptied.

### THE CUTTING UNIT CABINET



**Warning!** When the engine is running, the cutting blades rotate.

1. After finishing work, thoroughly clean the entire device.
2. Stop the engine and disconnect the spark plug wire before cleaning the housing.
3. Empty the fuel tank before cleaning.
4. Without tilting the mower to the side, lay it on the ground so that the front wheels are in the air.
5. Clean the underside of the mower with a brush and water.

Do not use high-pressure cleaning devices, as high-pressure water can break the paint protection of the housing. Do not use intensive cleaning and washing agents, e.g. aggressive detergents, they can damage plastics and metals, which may result in deterioration of the device's safety.

After connecting the hose to a special quick coupler that is already mounted in the mower housing and unscrew the water, start the mower. The device is cleaned during the rotation of the knife, on which a strong stream rinses out flushing residues of grass. (Fig. 12)

### MOUNTING THE SIDE DISCHARGE CHUTE

To mount the side discharge chute:

1. open the side ejector cover 18 (Fig. 2) (To unlock the cover, first turn the axle cover (Fig. 14A, B)),
2. push in the side discharge chute 19 (Fig. 2) as shown in the Fig. 14C,
3. rest the side ejection cover on the side discharge chute (Fig. 14D).

### GRINDING FUNCTION

Mulching is a care procedure involving the fragmentation of cut grass. The mulching system allows it to be left completely or partially on the soil, where it decomposes and provides nutrients.

The lawn meets the mulching conditions when the grass is no more than 4 cm. The lawn on which mulching will be carried out must be mowed regularly and quite often - even every few days. During mulching, only young and delicate blades can be left on the surface, without damaging the lawn, as they break down and do not rot.

To start the grinding function, remove the grass catcher and remove the side ejection cover (if fitted), mount the grass grinding attachment /plug (Fig. 13) to the rear outlet and close the tailflap.



**For mulching to be fully effective, you must buy a milling knife.**

### SIDE EJECTION FUNCTION

To work with the side ejection:

1. remove the grass basket 7 (Fig. 1) (if fitted), insert the mulching plug into the rear outlet opening (Fig. 13) and close the flap 22 (Fig. 2),
2. lift the side discharge cover and install the side discharge chute with the catches. Note: to raise the side discharge cover, it may be necessary to use a lot of force or to open a special lock preventing its automatic opening (if present on your model). (Fig. 14A-C),
3. rest the side discharge cover on the side discharge cover (side discharge duct). (Fig. 14D).

## **MAINTENANCE**

### **HANDLING THE CUTTING KNIFE**



#### **Warning:**

Disconnect the spark plug wire before checking the cutting knife or blade attachment shaft. If the knife hits an object, stop the engine, disconnect the spark plug cable and check the mower for damage. Check whether the crankshaft on the power take-off side or the adapter to which the knife is attached has not been damaged (bent or cracked).

The knife adapter does not provide protection against engine damage when the knife hits objects other than grass, e.g. stones, branches, molehills.

Check often that the knives are not bent, that they are not excessively worn, and that there are no other damages such as cracks or deformations.

Damaged parts must be replaced with new ones, recommended by the manufacturer. For safety, replace the knives every two years. Knives should be well sharpened (details in chapter "Sharpening a knife"). Blunt knives tug at the grass, causing the tips to yellow.



**Attention! It is imperative to balance the knife after each sharpening. An unbalanced blade can cause dangerous vibrations that can damage the mower and / or cause an accident.**

**Check the knife clamping screw often. The screw must be firmly tightened to a torque of 45 to 55 Nm.**

### **REMOVING THE KNIFE (Fig. 15A)**

1. Addapter
2. Knife
3. Saddle half pad
4. Screw



**Attention! Cutting knife 2 (Fig. 15A) it can be very sharp, use gloves to protect your hands against injury.**

1. Empty the fuel tank.
2. Use a wooden block to prevent the knife from turning.
3. Loosen the screw that holds the knife.
4. Check the condition of the knife (see chapter "Operation of the cutting knife").
5. Replace a worn or damaged knife with a new one recommended by the manufacturer.
6. Tighten the screw to 45 to 55 Nm. If the clamping screw is too loose, the knife may become loose, which may cause an accident.

Attention! When installing the knife, remember about the direction of the knife. If the knife is incorrectly fastened, it will not cut properly and may cause an accident.



**Attention!** When installing the knife, remember about the direction of the knife. If the knife is incorrectly fastened, it will not cut properly and may cause an accident.

### **THE MOST IMPORTANT KNIFE PARAMETERS (Fig. 15B)**

A - length (560 mm), shorter knives are allowed, but then you have to take into account that the effective cutting width will be smaller,

B - width (57 mm),

C - clamping hole diameter (11 mm),

D - hole center distance (27,5 mm),

Hole diameter 11x11 mm circle for safety wedges is standard and amounts to 15.5 mm.

It is recommended to use MURRAY cutting knives dedicated to the given mower model.



**Attention! The shape of the knife indicates its characteristics, depending on the shape of the knife is more suitable for: mowing with a basket, mowing with side ejection or mulching. The universal knife used in the factory may turn out to be less efficient than we would have expected, so it is recommended to buy accessory knives for each function, i.e. one for grinding, the other for throwing grass into the basket.**

### SPARK PLUG OPERATION

Spark plug (Fig. 16A) must be replaced at the beginning of each season or after 100 hours of operation.

Use original B&S QC12YC / B&S 797429 spark plugs. Recommended gap between electrodes is: 0.51 mm (Fig. 16B). Check the gap with a blade feeler gauge.

### OIL REPLACEMENT

The first oil change should be carried out after 4 to 5 hours of engine operation. Perform next oil changes every 25 hours of operation or more often. The oil drain plug may be mounted on the engine block, but this depends on the engine model. If the engine does not have a drain plug in the engine block, pour oil with the filler plug after emptying the fuel tank:

- Unscrew the oil filler cap with the dipstick.
- Remove the air filter to prevent it from absorbing gasoline when the mower is tilted.
- Tilt the mower to the oil filler plug side 15 (Fig. 1).
- Leave the mower in this position until the oil stops flowing (this may take several minutes).

After pouring the oil out of the engine, set the mower in a flat position and pour about 0.6L of engine oil recommended by B&S SAE30 specification by checking the level on the dipstick integrated with the oil filler cap. Screw in the oil plug with the dipstick and install the air filter.

### AIR FILTER REPLACEMENT (Fig. 18A, B)

Every 25 hours of operation, check the condition of the air filter. The filter must be replaced every 100 hours or earlier if it is contaminated.

Loosen the fastener A that holds the cover B (Fig. 18B).

1. Open the cover B (Fig. 18B).
2. Remove the pre-filter C and air filter D (Fig. 18B).
3. If the filter is not damaged:
  - gently tap the filter D (Fig. 18B) on a hard surface to remove impurities,
  - wash the filter sponge element C with water and detergent,
  - squeeze the foam element into a clean cloth.
  - do not oil the pre-filter.
4. If the filter is damaged replace the filter with a new one.
5. Replace the cover by sliding the catches into the slots on the filter housing or tighten the screw. Reinstall all air cleaner components, replace the air cleaner cover and secure with the fastener.



## LINE ADJUSTMENT

The cables may stretch and contract during use. They should then be checked and properly adjusted (if adjustment is available on your model). To do this loosen the small locking nut 1 (Fig. 19) and then depending on your needs:

- 1 turn the adjusting nut 2 (Fig. 19) counterclockwise: the cable is shortened,
- 2 turn the adjusting nut 2 (Fig. 19) clockwise: the cord will be extended.

## LUBRICATION

To lubricate the rear drive wheel rack 8 (Fig. 1) you should:

1. Remove the rear wheel hub cap by turning the hub cap counterclockwise.
2. Unscrew the drive wheel nut with a 13 mm wrench.
3. Remove the drive wheel from the axle.
4. Remove the Seger ring 24 (Fig. 20) and then slide the drive rack off 25 (Fig. 20), from the gear shaft 27 (Fig. 21).
5. Sprocket, drive carrier 26 (Fig. 21) and the gear shaft must be cleaned of grease residues and lightly grease the above elements. The recommended grease for this operation is MURRAY bevel gear grease.



**CAUTION! Lubricate the gear wheel from the inside 25 (Fig. 21). Do not lubricate the outer rim on the sprocket and the drive wheel.**

6. Refit the entire mower drive mechanism in reverse order.

## TRANSPORTATION

### PREPARATION FOR TRANSPORT

- Before transporting the mower, remove oil, then: cool the engine, remove fuel from the tank, carburettor and fuel lines.
- The device can only be transported in the working position, i.e. at an angle of up to 15 degrees above the level.
- The handle may be folded.



**Attention! Be careful when folding or unfolding the handle, as the cables may be damaged. Damaged cables can cause the mower to malfunction and in some cases reduce the safety of use of the device.**

**PROBLEMS REVIEW AND DIAGNOSIS****INSPECTIONS**

Inspections		Prior to each use	After 5 hours of operation	Every 25 hours of work or once a season	Before storage	After every 100 hours of work	After each use
Engine oil	check it out	x					
	replace		x (only the first replacement)	x			
Air filter	check it out	x					
	clean		x				
	replace			x			
Spark plug	check it out			x			
	replace					x	
Cutting blade	check it out	x					
	sharpen			x			
Lines adjustment	check it out		x				
Adapter	check it out	x					
Protection of the drive	check it out		x				
Drive belt	check it out			X before each season			
Threaded connections	check it out	x			x		
Fuel	empty	x					
	clean				x		
The bottom of the mower	protect		x				x
	execute				x		
Lubrication	check / adjust			x	x		
Valves	check it out			x			

**Annual, post- or pre-season paid checks carried out on the website will help avoid problems during the season.**

**TROUBLESHOOTING**

<b>Problem</b>	<b>Possible cause</b>	<b>Solution</b>
The device does not start.	Low fuel.	Check the fuel level and add fuel if necessary.
	Spark plug flooded or damaged.	Check, clean or replace the spark plug.
	Interruption in ignition system or contaminated fuel system.	Have the gardening equipment service repaired, it is best to entrust the mower to an authorized MURRAY service center.
Engine fires unevenly.	Contaminated air filter.	Replace or clean the filter.
	Low quality fuel.	Remove fuel and refuel the mower with high-quality fuel.
	Clogged fuel line, no fuel or old fuel.	Clean the fuel line, check fuel delivery, add fresh fuel.
	Water, oil or dirt in the fuel system.	Drain the carburettor with the fuel sink screw and top up with fresh mixture.
	Oil flooded carburettor after tilting the mower to the side.	Clean the carburettor from oil.
Engine fires unevenly.	Badly adjusted brake cable.	Make the appropriate adjustment.
	Dirty air filter.	Replace the filter.
	Muffler flooded with oil after tilting the mower to the side.	Top up oil and start the mower for 15 minutes, the oil will burn itself.
Excessive vibration.	Knife adapter damaged.	Replace it.
	Crooked motor shaft (after impact).	Stop the engine immediately and remove the spark plug cap. Tighten all screws and make other appropriate repairs. If the vibration does not disappear, entrust the repair to an authorized service center.
	Loose assembly of components.	
The mower does not throw grass in the bin.	The grass is too high.	Mow twice.
	Wet grass.	Do not mow.
	Inverted or worn cutting knife.	Insert the cutting knife correctly or replace it.
	Dirty lawn mower chassis.	Clean the mower chassis.
	A dirty or overfilled basket.	Empty and clean the basket.
	Engine speed too low.	Adjust the turnover at the authorized service center.
Wheel drive not working (drive version).	Worn or damaged drive belt.	Replace the wheel drive belt.
	Cut grass lying down.	Clean the transmission mechanism.
	Incorrectly adjusted drive cable.	Adjust the drive cable.
	Adjust the drive cable.	Replace the gear.

**WARRANTY AND SERVICE**

The product purchased by you is intended for amateur (hobby) use only. If the equipment is used for other purposes (commercial, professional), it will lose the guarantor's liability for the purchased equipment. You can find information on the warranty and the MURRAY service network in the attached warranty card.

**DECLARATION OF CONFORMITY****Declaration of conformity**

Manufacturer:

name: NAC Sp. z o.o.  
address: Al. Krakowska 39, 05-090 Raszyn, Poland

with full responsibility declares that the machine:

name: Petrol lawn mower  
model: EQ2-700X  
serial number: 033 22 2490745490 9000 000001 – 033 25 2490745490 9000 999999

meets the essential requirements:

- of Machinery Directive MD 2006/42/EC,
- Compatibility Directive EMC 2014/30/EU,
- Noise Directive NEE 2000/14/EC Annex VI and 2005/88/EC.

meets the requirements of the following harmonized standards:

- EN ISO 5395-1:2013+A1,
- EN ISO 5395-2:2013+A1+A2,
- AfPS GS 2014:01 PAK,
- EN ISO 14982:2009,
- EN ISO 3744:1995,
- ISO 11094:1991

and meets the requirements:

- 2016/1628/EU.

2000/14 / EC: the conformity assessment procedure followed according to Annex VI:

- measured maximum sound power level: LWA is 94 dB(A),
- guaranteed sound power level: LWA is 98 dB(A).

The conformity assessment procedures according to NEE 2000/14/EC were carried out with the participation of a notified body:

name: TÜV Rheinland LGA Products GmbH  
address: Tillystrasse 2, 90431 Nürnberg, Germany  
identification number: 0197

Place of submission and storage of Technical Documentation:

NAC Sp. z o.o.  
Al. Krakowska 39,  
05-090 Raszyn

Jarosław Malinowski  
Technical and Certification Director

Raszyn, November 30, 2021

# WARRANTY

*Dear Sir or Madam,*

*Thank you for purchasing our product and congratulations on your right choice. The device that you bought was designed and manufactured according to the latest technologies and represents global standards of quality and reliability, while being environmentally friendly. We remind you to carefully read the commissioning and operation procedures before using the device; these procedures are contained in the Operating Instructions supplied with the device.*

*Our specialized service network serves you with all assistance in the field of technical and operational advice.*

*A list of authorized service points and service tips can be found at: **[www.murray.com](http://www.murray.com)***

## **WARRANTY CONDITIONS**

In Poland, the guarantor is NAC Sp. z o.o.

1. NAC company guarantees smooth operation of the device Murray in accordance with the technical and operational conditions described in the User Manual.
2. The device is granted a 24-month warranty to the consumer " (i.e. a natural person making a legal transaction with the entrepreneur not directly related to its business or professional activity) " and a 12-month warranty when purchased by the entrepreneur "(i.e. a natural person, a legal person and an organizational unit operating in own business or professional activity). " After this period, the user is entitled to paid repairs.
3. All damages disclosed during the warranty period resulting from material, assembly or manufacturing defects will be removed free of charge.
4. The basis for obtaining warranty protection is proof of purchase of the device from an Authorized Distributor of MURRAY equipment together with the print of this warranty card signed on the day of sale issued by the official MURRAY Authorized Distributor. Warranty coverage will not be granted if the warranty print is certified / stamped by a company that is not an MURRAY Authorized Distributor. This warranty applies within the territory of the Republic of Poland.
5. Defects of the device subject to warranty will be removed within 14 business days from the date of acceptance at the MURRAY Authorized Service. This period may be extended to 30 business days in exceptional cases.
6. For reasons beyond the control of the Guarantor, the aforementioned deadline may be extended, in particular if the product requires additional verification / expertise or there are circumstances in the form of force majeure preventing its behavior, e.g. flood, fire, strikes, natural disasters, import restrictions, etc.
7. The warranty does not include activities such as: assembly, maintenance, service, periodic adjustment and cleaning, as well as inspections, oil and filter changes together with materials and parts used for the above activities. These activities can be carried out for a fee.
8. In order to remove defects or damage, the device together with the proof of purchase and a valid warranty card should be delivered to: the nearest Authorized Service Center or use a convenient "door to door" system or to the place of purchase. The device should be cleaned beforehand. The service / shop may refuse to repair an uncleaned device. If the device is to be sent, the operating fluids (fuel and oil) must be emptied before handing it over to the courier or seller. The packaging must ensure safe transport, original packaging is recommended.
9. The method of repair is determined by the guarantor. The guarantor is not obliged to provide a replacement device during the warranty repair.
10. This warranty applies provided that the device is properly used, maintained and serviced in accordance with the attached operating instructions.
11. The user is obliged to immediately cease using the damaged device. Continued use of a damaged device may result in further faults and endanger the health or life of the user or third parties.
12. The warranty does not cover damage resulting from: mechanical damage, misuse, modification or repair carried out by unauthorized persons. This also applies to the installation and use of incorrect parts and filters, greases, oils, fuels.
13. Damage to the warranty seals, if any, or the serial number plate can be the basis for rejecting the warranty.
14. The warranty does not cover defects caused by lightning, fire, floods and other natural disasters.
15. The warranty does not cover consumables and components subject to natural wear during operation and subject to user control such as V-belts, bulbs, filters, spark plugs, road wheels, knives and cutting blades, knife holders, string heads, cutting chains, chain guides, steering cables, keys and overload pins.
16. NAC is not responsible for direct or indirect damages, losses or costs resulting from the use or inability to use the device for any purpose.
17. If it is necessary to carry out activities related to the maintenance of the device before starting the repair, the Service / Store may carry out such activities against payment with the consent of the user / advertiser.
18. If during the repair it was necessary to replace elements related to safety of use or third parties (e.g. cutting blades, chains, guides, cutting element covers and other safety-related elements), the service is obliged to replace these elements even if it involves this with the need to charge fees with the consent of the user / advertiser. In case of refusal, the service will return the product without any repairs.
19. The warranty does not cover any damage caused to objects or persons.
20. The warranty for the goods sold does not exclude, limit or suspend the rights of the buyer who is a natural person under the warranty for defects of the thing sold.

**WARRANTY CARD**

.....  
 Equipment name\* Model \*

.....  
 Date of sale \* Device serial number \* Engine serial number

I declare that I have read the User Manual and the Warranty Card. I received the purchased equipment in working order, complete, along with the proof of purchase.

Legible signature of the buyer .....

.....  
 Stamp and legible signature of the seller \*<sup>1</sup>

\* *To be completed by the seller*

**\*<sup>1</sup> I declare that I am official MURRAY Authorized Distributor.**

Submission of a statement inconsistent with the facts by an entity that is not an authorized MURRAY Distributor may result in criminal liability of the seller pursuant to art. 271 and Article 267 of the Penal Code.

No.	Dates	Repair report number	Official Stamp
	Equipment notification date		
	Date of completion of repair / Date of device release		
	Equipment notification date		
	Date of completion of repair / Date of device release		
	Equipment notification date		
	Date of completion of repair / Date of device release		
	Equipment notification date		
	Date of completion of repair / Date of device release		
	Equipment notification date		
	Date of completion of repair / Date of device release		

The original repair report is equivalent to the entry on the warranty card.



**Achtung! Bitte lesen Sie diese Bedienungsanleitung vor Montage oder Inbetriebnahme des Geräts.**

**Das Gerät ist für die Grünflächen im häuslichen Bereich bestimmt.**

**Bei gewerblicher oder teilgewerblicher Nutzung oder bei Verwendung zu Erwerbszwecken verfällt der Garantieanspruch.**

Original-Bedienungsanleitung – Ausgabe 1/2022

Diese Anweisungen sind als integraler Bestandteil des Geräts zu betrachten. Sie sollte an dem dafür vorgesehenen Ort aufbewahrt werden, so dass sie leicht zugänglich ist. Denken Sie daran, die Anweisungen an einen neuen Besitzer oder Benutzer weiterzugeben, wenn das Gerät weiterverkauft oder an eine andere Person übertragen wird.

## **INHALTSVERZEICHNIS**

Inhaltsverzeichnis	32
Technische Daten	33
Beschreibung der grafischen Seiten und der Piktogramme	33
Sicherheitsvorschriften für Maschinen und Geräte mit Verbrennungsmotor	34
Allgemeine Sicherheitsbestimmungen	35
Detaillierte Sicherheitsbestimmungen	38
Sicherheit und Haftung des Herstellers	41
Restrisiko	41
Anwendung	42
Vorbereitung auf die Arbeit	42
Aufbau des Rasenmähers	42
Bedienung	44
Wartung	46
Transport	49
Inspektion und Problemdiagnose	50
Garantie und Service	51
Konformitätserklärung	52
Garantiebedingungen	54
Garantiekarte	55



**TECHNISCHE DATEN**

<b>Typ, Modell</b>	<b>EQ2-700X</b>
Motor	B&S 750EX DOV
Motortyp	Einzyylinder, Viertakt, luftgekühlt, DOV
Kraftstoff	Bleifreies Benzin 95 Pb
Motorkapazität	161 cc
Nennleistung der Maschine	2,61 kW – 2900 U / min
Maximales Drehmoment	9,5 Nm – 2400 U / min
Maximale Geschwindigkeit	2900 U / min
Fassungsvermögen des Kraftstoffbehälters	1 L
Fassungsvermögen der Ölwanne	0,6 L
Gehäuse	Stahl
Korb-Kapazität	75 L
Schnittbreite	56 cm
Schnitthöhe	25-75 mm, 6-stufig
Garantierter Schalleistungspegel LWA	96 dB (A)
Schalldruckpegel LpA	LpA=82,5 dB (A), K=3 dB (A)
Wert der von der Maschine übertragenen Schwingungen, die auf die oberen Extremitäten des Bedieners einwirken.	ahv=5,569 m/s <sup>2</sup> , K=1,5m/s <sup>2</sup>
Das Gewicht des Geräts	34,1 kg
Produktionsjahr	2022

Das Set Enthält:

- Benzinrasenmäher,
- Korb,
- Schrauben, Muttern,
- Betriebsanweisung,
- Garantiekarte,
- Garantiebestimmungen,
- EG-Konformitätserklärung.

**BESCHREIBUNG DER GRAFISCHEN SEITEN UND DER PIKTOGRAMME**

Piktogramme Seite 2.A

1. Achtung! Gefahr. Besondere Vorsicht ist geboten.
2. Wichtig! Lesen Sie Bedienungsanleitung und beachten Sie die Warnungen.
3. Verletzungsgefahr wegen der durch die betriebene Maschine ausgeworfenen Objekte. Unbeteiligte Personen fernhalten.
4. Halten Sie einen sicheren Abstand zu Gebäuden ein.
5. Schneiden Sie kein Gras an Hängen und in Richtung Hänge.
6. Hinweis: Trennen Sie die Hochspannungsleitung vor der Wartung und / oder Reparatur von der Zündkerze.
7. Die Maschine ist außer Reichweite von Kindern aufzubewahren.
8. Arbeiten Sie nicht bei Regen.
9. Achtung: Halten Sie Hände und Füße von den Messerklingen fern.
10. Arbeiten Sie niemals mit angehobener Auswurfklappe. Vom Mähmesser aufgenommene Gegenstände können gefährlich sein.
11. Vor Arbeitsbeginn ist das Gelände zu prüfen und zu reinigen.

12. Unbeteiligte Personen dürfen sich nicht in der Nähe der betriebenen Maschine aufhalten.
13. Hinweis: Halten Sie Hände und Füße von rotierenden Teilen fern.
14. Vor der Reinigung, Reparatur oder Prüfung der Maschine ist sicherzustellen, dass das Schneidmesser und sämtliche beweglichen Teile angehalten sind.
15. Brand- oder Explosionsrisiko. Benzin ist leicht brennbar.
16. Achtung: Die heiße Oberfläche kann Verbrennungen verursachen.
17. Tragen Sie eine Schutzbrille.
18. Tragen Sie einen Gehörschutz.
19. Tragen Sie einen Handschutz.
20. Tragen Sie Sicherheitsschuhe.
21. Achtung! Viertaktmotor, Benzin und Öl nicht mischen. Die Maschine hat zwei getrennte Tanks sowie Öl- und Benzineinfüllstutzen.
22. Das Messer dreht sich nach dem Ausschalten des Mähers einige Sekunden lang. Bewegen Sie den Mäher nicht, wenn die Messer nicht vollständig angehalten sind.
23. Achtung: Abgase sind gesundheitsschädlich. Es besteht eine Vergiftungs- oder Erstickungsgefahr. Verwenden Sie das Gerät nicht in Innenräumen.
24. Entsorgen Sie gebrauchte Geräte nicht. Es liegt in der Verantwortung des Benutzers, gebrauchte Geräte an eine dafür vorgesehene Sammelstelle für das Abfallrecycling zu übergeben.

#### **SONSTIGE KENNZEICHNUNGEN AN DER MASCHINE**

1. Typenschild (Seite 2.B).  
Das Typenschild befindet sich auf der Rückseite des Gehäuses des Mähers. Die auf diesem Typenschild enthaltenen Informationen sind notwendig, um die richtigen Ersatzteile und Wartungstätigkeiten zu ermitteln.
2. Garantierter Schalleistungspegel (Seite 2.C).
3. Warnhinweise und andere Markierungen (Seite 2. D).

#### **SICHERHEITSVORSCHRIFTEN FÜR MASCHINEN UND GERÄTE MIT VERBRENNUNGSMOTOR**



##### **Warnung!**

- Lesen Sie sich die Bedienungsanleitung sorgfältig durch! Machen Sie sich mit den Sicherheitsvorschriften für strombetriebene Geräte sowie den Steuersystemen und dem korrekten Gebrauch des Geräts vertraut.
- Die fehlende Einhaltung der nachstehend genannten Warnungen und Richtlinien bezüglich der Sicherheit, kann die Ursache für einen Stromschlag, Brand und/oder schwere Verletzungen sein.
- Bewahren Sie die vorliegende Bedienungsanleitung auf, um in Zukunft davon Gebrauch machen zu können.
- Die vorliegende Ausrüstung ist nicht für den Gebrauch durch Personen (darunter Kinder) mit eingeschränkter körperlicher, sensorischer oder psychischer Leistungsfähigkeit bestimmt, sowie durch Personen, die keine Erfahrung oder Kenntnis der Ausrüstung besitzen, es sei denn, dies erfolgt unter der Aufsicht oder gemäß der Bedienungsanleitung des Geräts, die von der für deren Sicherheit verantwortlichen Person übermittelt wurde.
- Lassen Sie keine Kinder, Jugendliche bis zum 16. Lebensjahr und Personen, die sich mit der Bedienungsanleitung nicht vertraut gemacht haben, das Gerät bedienen.

## **ALLGEMEINE SICHERHEITSBESTIMMUNGEN**

### **SICHERHEIT AM ARBEITSPLATZ**

- Am Arbeitsplatz ist entsprechende Ordnung und gute Beleuchtung zu halten. Unordnung und falsche Beleuchtung tragen zu Unfällen bei.
- Lassen Sie keine Kinder oder Beobachter an Stellen zu, an denen Geräte mit Verbrennungsmotor verwendet werden. Die Ablenkung der Aufmerksamkeit kann zum Verlust der Kontrolle über das Gerät führen. Gartengeräte sind weit weg von Außenstehenden abzustellen.
- Der Bediener oder Benutzer ist für Unfälle oder Gefahren, die anderen Personen oder der Umgebung gegenüber auftreten, verantwortlich.

### **SICHERE KRAFTSTOFF-HANDHABUNG**

- Der Verbrennungsmotor ist für die Arbeit mit Benzin oder Kraftstoffmischung bestimmt (Kraftstoffart siehe Technische Daten des Geräts).
- Das Benzin ist nur in speziell dafür vorbereiteten Behältern (Kanistern) aufzubewahren.
- Das Benzin ist weit weg von Faktoren, die einen Brand auslösen können, zu lagern, z. B. in der Nähe eines Boilers, Lagerfeuers, offenem Feuer, überall dort, wo elektrische Funkenbildung auftritt, erhöhte Temperatur, Funken durch Schweißarbeiten oder sonstige Wärmequellen, die zum Entzünden des Kraftstoffs führen können.
- Die Kraftstoffbehälter sind ausschließlich im Freien zu befüllen.
- Das Rauchen von Zigaretten sowie die Verwendung von offenem Feuer während der Arbeit des Geräts oder beim Befüllen des Kraftstofftanks sind besonders gefährlich.
- Vor dem Beginn mit der Befüllung des Tanks mit Kraftstoff, ist immer zuerst der Motor auszuschalten und abzukühlen.
- Befüllen Sie den Kraftstofftank nicht mehr als 1 cm unter dem unteren Einfüllrand, Benzin hat eine große Wärmeausdehnung.
- Im Fall des Verschüttens von Kraftstoff ist das ausgeschüttete Benzin unverzüglich mit einem trockenen Tuch aufzuwischen.
- Während des Befüllens des Tanks ist besonders darauf zu achten, keinen Kraftstoff auf die Kleidung zu verschütten. Mit Benzin getränkte Kleidung kann sich entzünden, deshalb sollte sie unverzüglich gewechselt werden.
- Nach dem Befüllen des Gerätetanks mit Kraftstoff ist sein Verschluss dicht, aber mit Gefühl, zu verschließen, und vor der Inbetriebnahme des Motors ist der Kraftstoffkanister an einen entfernten Ort zu transportieren, mindestens 3 m von der Stelle, an der die Befüllung vorgenommen wurde.
- Überprüfen Sie vor dem Motorstart die Dichtigkeit des gesamten Kraftstoffsystems, vor allem den Kraftstofftank, die Kraftstoffleitungen, Anschlüsse, Einfüllöffnung und Umgebung des Vergasers. Starten Sie den Motor nicht, wenn Sie eine undichte Stelle des Kraftstoffsystems entdeckt haben, da dies zum Brand führen kann.
- Das Gerät sollte nicht in explosiven Atmosphären arbeiten, die leicht brennbare Flüssigkeiten, Gase oder Staub bilden. Der Verbrennungsmotor kann Funken bilden, die den Staub oder Dämpfe entzünden können.
- Verwenden Sie das Gerät nicht, wenn es Probleme mit seinem Ausschalten gibt. Jedes Gerät, das nicht ausgeschaltet werden kann, ist ein gefährliches Gerät und muss repariert werden.

- Bewahren Sie das Gerät niemals mit vollem Kraftstofftank im Inneren von Räumen auf. Benzindämpfe sind leicht entzündlich und gefährden die Gesundheit.

**Achtung!**

- Vermeiden Sie das Einatmen von Benzin- und Abgasdämpfen. Benzin, Benzindämpfe sowie Abgase können die Ursache einer Vergiftung sein.
- Starten Sie den Motor nicht in geschlossenen oder schlecht belüfteten Räumen. Im Fall von Kopfschmerzen, Übelkeit, Störungen des Gehörs oder Sehsinns, unterbrechen Sie die Arbeit.

**PERSÖNLICHE SICHERHEIT**

- Seien Sie vorausschauend, beobachten Sie, was rundum geschieht und bewahren Sie den Verstand während der Arbeit mit dem Gerät. Das Gerät darf nicht verwendet werden, wenn Sie ermüdet sind oder unter dem Einfluss von Drogen, Alkohol oder Medikamenten stehen. Ein Moment der Achtlosigkeit kann zu schweren persönlichen Verletzungen führen.
- Verwenden Sie eine Schutzausrüstung. Setzen Sie immer eine Schutzbrille auf. Die Anwendung von Schutzausrüstung wie Staubschutzmaske, rutschfestes Schuhwerk, Helm oder Gehörschutz an manchen Orten, reduziert die persönlichen Verletzungen.
- Entfernen Sie vor der Inbetriebnahme des Geräts alle Gegenstände und Werkzeuge. Die Belassung von Werkzeug im drehenden Arbeitsteil der Maschine kann zu persönlichen Verletzungen führen.
- Lehnen Sie sich nicht zu weit hinaus. Stehen Sie die ganze Zeit über sicher und behalten Sie das Gleichgewicht. Dies ermöglicht Ihnen bessere Kontrolle in unvorhergesehenen Situationen zu bewahren.
- Kleiden Sie sich angemessen. Sie sollten keine lockere Kleidung oder Schmuck tragen. Halten Sie Ihre Haare, Kleidung und Handschuhe fern von beweglichen Teilen. Lockere Kleidung, Schmuck oder lange Haare können sich in den beweglichen Teilen einhängen.
- Während der Arbeit ist das Gerät an den zusätzlichen Griffen zu halten, falls das Gerät mit diesen ausgerüstet ist. Der Verlust der Kontrolle über das Gerät birgt ein Risiko der Körperverletzung.
- Verwenden Sie das Gerät nicht, wenn es Probleme mit seinem Ausschalten gibt. Jedes Gerät, das nicht ausgeschaltet werden kann, ist ein gefährliches Gerät und muss repariert werden.



**Achtung! Trotz der Anwendung einer von der Annahme her sicheren Konstruktion, dem Einsatz von Sicherungsmitteln und zusätzlichen Schutzmaßnahmen, besteht immer ein Restrisiko, während der Arbeit eine Verletzung zu erleiden.**

**GEBRAUCH UND PFLEGE DES GERÄTS**

- Überlasten Sie das Gerät nicht. Verwenden Sie ein Gerät mit einer für die auszuführende Arbeit angemessenen Leistung. Ein entsprechend ausgewähltes Gerät ermöglicht die bessere und sichere Arbeit bei der Belastung, für die es entworfen wurde.
- Nicht verwendete Geräte sollten außerhalb der Reichweite von Kindern aufbewahrt werden. Erlauben Sie keinen Personen, die das Gerät oder die vorliegende Bedienungsanleitung nicht kennen, die Verwendung des Geräts. Geräte mit Kraftstoffantrieb sind gefährlich in den Händen ungeschulter Benutzer.
- Geräte mit Kraftstoffantrieb sind zu warten. Überprüfen Sie die Koaxialität oder das Verklemmen von beweglichen Teilen, Sprünge an Teilen und alle anderen Faktoren, die sich auf die Arbeit des Geräts auswirken könnten. Wenn eine Beschädigung festgestellt wird, ist das Gerät vor dem

Gebrauch zu reparieren. Die Ursache vieler Unfälle ist die unsachgemäße Reparatur- und/oder Wartungsart des Geräts.

- Vor dem Gebrauch sollten alle mangelhaften sowie verbrauchten und beschädigten Teile ausgetauscht werden. Wechseln Sie die Warnschilder auf dem Gerät gegen neue aus, wenn diese unleserlich geworden oder beschädigt worden sind.
- Warneaufkleber und Ersatzteile können beim Service der Firma MURRAY sowie bei autorisierten Händlern bestellt werden.
- Geräte mit Kraftstoffantrieb, Ausrüstung, Werkzeug etc. sind gemäß der vorliegenden Bedienungsanleitung zu verwenden, unter Berücksichtigung der Bedingungen und Arten der Arbeiten, die auszuführen sind. Die Verwendung des Geräts auf eine Weise, für die es nicht vorgesehen ist, kann gefährlich sein.

### **BEDIENUNG UND BETRIEB VON GERÄTEN, DIE MIT EINEM AKKU AUSGESTATTET SIND**

- Vor dem Einlegen der Akkus in das Gerät sollten Sie sich vergewissern, dass sein Ein-/Aus-Schalter sich in der „Aus“-Position befindet. Das Einlegen von Akkus in das Gerät, wenn der Ein-/Aus-Schalter in der „Ein“-Position ist, kann zur Ursache ernsthafter Körperverletzungen werden.
- Verwenden Sie ausschließlich das vom Hersteller empfohlene Ladegerät. Die Verwendung eines Ladegeräts zum Aufladen eines anderen Akkutyps kann zum Brand führen.
- Verwenden Sie niemals andere Akkus als die vom Hersteller empfohlenen. Die Verwendung anderer Akkus kann zu ernsthaften Körperverletzungen oder Brand führen.
- In der Zeit, wenn das Gerät nicht verwendet wird, sollte der Akku herausgenommen werden. Der Akku ist weit weg von Metallgegenständen, wie: Papierklammern, Münzen, Nägel, Schrauben etc., die die Akku-Klemmen kurzschließen könnten, gehalten werden. Der Kurzschluss der Akku-Klemmen kann zu Verbrennungen oder zum Brandausbruch führen.
- Unter Extrembedingungen kann Flüssigkeit aus dem Akku treten. Vermeiden Sie ausnahmslos den Kontakt mit dieser. Wenn es zufällig zum Kontakt mit der Flüssigkeit kommt – ist diese Stelle unverzüglich mit Wasser abzuwaschen. Wenn die Flüssigkeit in die Augen gelangt, wenden Sie sich unverzüglich an einen Arzt. Die aus dem Akku heraustretende Flüssigkeit kann zu Reizungen oder Verbrennungen führen.
- Es ist verboten, Ladegeräte und Netzteile im Freien und in Räumen mit hoher Luftfeuchtigkeit wie Badezimmern oder Kellern zu verwenden.



**Vorsicht! Ladegeräte und Netzteile für die Akku-Geräte sind für den Gebrauch in trockenen Räumen vorgesehen.**

**Stromschlaggefahr und/oder Gefahr der Beschädigung des Gerätes.**

### **REPARATUR**

- Vor der Durchführung jeder Nachstellung, Teile-Austausch oder Lagerung ist das Kabel von der Zündkerze abzunehmen. Diese Vorbeugungsmaßnahmen reduzieren das Risiko einer unbeabsichtigten Inbetriebnahme.
- Die Reparatur sollte einer qualifizierten Person, die ausschließlich Original-Ersatzteile verwendet, in Auftrag gegeben werden. Dies gewährleistet den weiteren sicheren Betrieb des Geräts. Es wird empfohlen, jede Service-Tätigkeit dem autorisierten Service der Firma MURRAY in Auftrag zu geben.



**Achtung!** Erstickungsgefahr für Kinder während des Spielens mit der Verpackung.

Die Verpackung, vor allem der Folienbeutel, sollte an einem für Kinder unzugänglichen Ort aufbewahrt werden.

## **DETAILLIERTE SICHERHEITSBESTIMMUNGEN**



**Warnung!**

- Achten Sie auf scharfe Messeranten. Die Schneidmesser rotieren immer noch eine Weile, nachdem der Motor ausgeschaltet wird.
- Benutzen Sie den Mäher nur in gutem Zustand, führen Sie gegebenenfalls die erforderlichen Maßnahmen durch oder wenden Sie sich an das Service. Wir empfehlen Ihnen, einen autorisierten MURRAY-Service zu nutzen.
- Prüfen Sie vor jeder Inbetriebnahme, ob:
  - die Maschine gemäß der Bedienungsanleitung zusammengebaut ist;
  - das Schneidwerkzeug und das gesamte Schneidwerk (Schneidmesser, Befestigungselemente, Schneidwerkgehäuse) im guten technischen Zustand sind; es ist regelmäßig zu prüfen, ob sie gut befestigt sind und nicht beschädigt sind, sowie inwieweit sie verbraucht sind (Vertiefungen oder Risse);
  - die Sicherheitseinrichtungen (z.B. Auswurfschutzabdeckung, Gehäuse, Steuerhalterung, Hebel der Motorbremse) im guten technischen Zustand sind und ob sie richtig funktionieren;
  - der Graskorb unbeschädigt und korrekt montiert ist. Sie dürfen keinen beschädigten Graskorb verwenden.
- Die Maschine darf nicht eingeschaltet werden, falls das Schneidmesser nicht richtig eingebaut ist. Gefahr: gefährliche Vibrationen!
- Die Schneidwerkzeuge müssen scharf und sauber sein. Eine entsprechende Instandhaltung der scharfen Kanten von Schneidwerkzeugen verringert die Wahrscheinlichkeit, dass sie verklemmen und macht die Bedienung einfacher.
- Vor Einstellungen, Reinigung und Wartung ist die Maschine auszuschalten und die Hochspannungsleitung von der Zündkerze zu entfernen,
- Mähen Sie keinen Rasen, falls andere Personen, insbesondere Kinder oder auch Tiere, in der Nähe sind.
- Starten Sie keine beschädigte Kettensäge.
- Berühren Sie keine Schneidmesser, bevor die Maschine ausgeschaltet ist und die Schneidmesser vollkommen stoppen.
- Heben oder tragen Sie das Gerät nicht bei laufendem Motor.
- Schalten Sie die Maschine aus und entfernen Sie die Hochspannungsleitung von der Zündkerze:
  - wenn Sie die Maschine ohne Aufsicht stehen lassen,
  - bevor Sie die Sperre einstellen,
  - bevor das Gerät überprüft, gereinigt oder repariert wird,
  - nachdem gegen die Maschine mit einem Fremdgegenstand in Berührung kommt,
  - bevor der Auswurf gereinigt wird,
  - wenn übermäßige Vibrationen auftreten.

## VORBEREITUNG

- Tragen Sie beim Rasenmähen immer solide Schuhe und leine ange Hose, bedienen Sie Maschine nicht barfuß oder falls Sie Sandalen tragen.
- Prüfen Sie genau das Gelände, auf dem die Maschine benutzt wird und entfernen Sie alle Steine, Äste, Drähte, Knochen und sonstige Fremdgegenstände.
- Bei hohem Rasen kann man Hindernisse (wie z.B. Baumstümpfe, Baumwurzeln) übersehen, daher sind alle im Rasen versteckte Hindernisse, die nicht entfernt werden können, vor Arbeitsbeginn zu markieren.
- Vor Arbeitsbeginn prüfen Sie immer, ob Schneidmesser, Schrauben und Messersatz nicht verbraucht oder beschädigt sind. Wechseln Sie die verbrauchten oder beschädigten Schneidmesser und Schrauben paarweise aus, um richtige Auswucht zu gewährleisten.
- Bei Maschinen mit mehreren Schneidmessern ist Vorsicht geboten, denn die Rotation eines Schneidmessers kann auch die Rotation anderer Schneidmesser bewirken.

## SCHÄRFEN DES MESSERS

- Damit die Maschine optimal betrieben werden kann, muss das Schneidmesser immer scharf sein. Diese anscheinend einfache Tätigkeit muss besonders sorgfältig ausgeführt werden. Dafür sind umfangreiche technische Fachkenntnisse und unentbehrliche Servicegeräte notwendig. Der Hersteller haftet für keine Beschädigungen des Rasenmähers, die infolge eines nicht richtig durchgeführten Schärfvorgangs entstehen. Es wird beim Schärfen ein Neigungswinkel von 30° empfohlen.
- Es ist sicher, Ihr Messer von einem autorisierten MURRAY-Servicezentrum schärfen zu lassen.
- Vor dem Schärfen die Maschine ausschalten, abwarten bis der Motor abkühlt, die Hochspannungsleitung von der Zündkerze entfernen, eventuell auch den Akku ausbauen und das Schneidmesser losschrauben.
- Das Schneidmesser kann manuell geschärft werden. Dazu kann ein Schleifstein oder eine entsprechende Metallfeile verwendet werden, noch besser ist es, eine professionelle Schärfmaschine einzusetzen, wobei immer daran zu denken ist, dass die Messerklinge überhitzt werden kann und sich somit dann die Schneidmesser für den Betrieb nicht eignen. Es wird empfohlen, eine Kühlflüssigkeit, die bei Metallbearbeitung eingesetzt wird, anzuwenden. Zulässig ist auch die Anwendung von Wasser, wobei in solch einem Fall immer zu beachten ist, dass nicht alle Schärfmaschinen unter Kühlflüssigkeitsstrahl funktionieren können. Die blaue Anfärbung der Schneidmesserfläche deutet auf eine Beschädigung hin, so ein Schneidmesser darf nicht mehr verwendet werden.
- Nach jedem Schärfen des Messers muss es absolut ausgewuchtet sein. Wenn der Benutzer nicht über eine Auswuchtmaschine und die entsprechenden Kenntnisse verfügt, ist es notwendig, das Messer von einem Auswuchtspezialisten warten zu lassen. Das Arbeiten mit einem nicht ausgewuchteten Messer führt zu übermäßigen Vibrationen und kann zum Lösen der Schraubverbindungen des gesamten Geräts, einschließlich der Schraube der Messerbefestigung, führen, was für die Gesundheit und das Leben des Benutzers gefährlich sein kann.

## NUTZUNG

- Mähen Sie den Rasen nur bei Tageslicht oder bei guter zusätzlicher Kunstbeleuchtung.
- Mähen Sie den Rasen im Regen, insbesondere bei einem Gewitter. Vermeiden Sie, nassen Rasen zu mähen.

- Vergewissern Sie sich immer, dass ihre Füße auf einem Hang sicher stehen.
- Gehen Sie, Laufen Sie nicht. Denken Sie immer daran, eine zuverlässige und sichere Position einzunehmen.
- Mähen Sie mit Kreiselmähern über den Hang, niemals nach oben oder unten.
- Beim Wechsel der Fahrtrichtung am Hang ist besondere Vorsicht geboten.
- Mähen Sie den Rasen nicht auf zu steilen Hängen.
- Passen Sie besonders auf, wenn Sie das Gerät rückwärts bewegen oder in Ihre Richtung ziehen.
- Schalten Sie die Maschine aus, wenn sie gekippt werden soll oder wenn Sie sie über nicht grasbewachsene Oberflächen bewegen und wenn Sie sie zum Mähplatz und wieder zurück transportieren.
- Kühlen Sie den Motor ab, bevor Sie den Mäher transportieren, lassen Sie Kraftstoff und Öl ab.
- Benutzen Sie keine Maschine mit beschädigten Schutzabdeckungen oder Gehäusen und ohne Sicherheitseinrichtungen, z.B. ohne eingebaute Schutzabdeckungen und/oder Rasenbehälter.
- Starten Sie den Motor nach der Bedienungsanleitung und halten Sie Ihre Füße von den Schneidmessern fern.
- Starten Sie den Mäher nicht, wenn er gekippt ist, es sei denn, Sie müssen im hohen Gras starten. Heben Sie in diesem Fall die Vorderseite des Mähers an, indem Sie auf den Griff drücken, aber nur so viel wie nötig, und senken Sie den Mäher dann langsam auf den Boden. Stellen Sie sicher, dass beide Hände den Griff während des gesamten Vorgangs sicher halten.



**Achtung!** B & S-Motoren können nicht an einem Hang über 15° betrieben werden.

- Halten Sie Ihre Hände und Füße von rotierenden Teilen fern. Stellen Sie bei Kreiselmähern sicher, dass die Auswurföffnung nicht blockiert ist.
- Ziehen Sie beim Starten des Motormähers nicht am Antriebshebel.

## WARTUNG UND LAGERUNG



### Warnung!

- Bevor man mit Reparatur oder Wartung beginnt, ist sicherzustellen, dass die Hochspannungsleitung von der Zündkerze in der Maschine entfernt ist und dass sich in der Nähe keine Kinder und Drittpersonen aufhalten.
- Denken Sie daran, dass im Kraftstoffbehälter Kraftstoff vorhanden sein kann. Die Sicherheitsregeln für den Umgang mit Brennstoff sind in diesem Handbuch in Abschnitt "Sicherheit bei der Handhabung von Brennstoffen" beschrieben.
- Sorgen Sie für einen einwandfreien Zustand aller Muttern, Schrauben und Schaftschrauben, um sicherzustellen, dass die Maschine sicher betrieben werden kann. Prüfen Sie oft, ob der Rasenbehälter nicht verbraucht oder beschädigt ist.



Stellen Sie sicher, dass Sie den richtigen Messertyp verwenden.

Nach Abschluss der Arbeiten sollte der Mäher gereinigt werden. Der Kraftstofftank muss leer sein. Stellen Sie den Mäher auf den Griff (Zündkerze oben). Mit einer Bürste sind aus dem inneren Gehäuseteil Rasenüberreste und Staub zu entfernen. Metallelemente sind eventuell mit einem Korrosionsschutzmittel zu schützen. Die gesamte Maschine kann mit einem feuchten Tuch gereinigt und eventuelle mit einer Paste für Lacküberzüge geschützt werden.



Der Mäher ist in einem gut belüfteten Raum, an einem trockenen, nicht staubigem Ort aufzubewahren. Überprüfen Sie, ob der Grasbehälter entleert und ordentlich gereinigt wurde. Verrottendes Gras kann den Korb beschädigen.

Es ist nur eine einsatzfähige Maschine aufzubewahren. Bevor die Maschine gelagert wird, sind bei Bedarf Mängel zu beseitigen.

Wenn der Mäher mit einer Batterie ausgestattet ist, denken Sie daran, dass die optimalen Lagerbedingungen für die Batterie 10 bis 21 ° C, niedrige Luftfeuchtigkeit und 50% geladene Batterie sind.

### **IM FALLE EINES UNFALLS ODER AUSFALLS**

Im Falle eines Unfalls die Maschine sofort anhalten / ausschalten und um Hilfe rufen (falls erforderlich).

Halten Sie im Fehlerfall die Maschine an / schalten Sie sie aus und wenden Sie sich an ein autorisiertes Servicecenter, um einen Ausfall zu vermeiden.

### **SICHERHEIT UND HAFTUNG DES HERSTELLERS**

Jede Anwendung des Mähers, die nicht der in der vorliegenden Anleitung beschriebenen Beschreibung entspricht, gilt als unangemessen und der Hersteller haftet nicht für Beschädigungen und Schäden, die aus einer solchen Vorgehensweise folgen.

Eine bestimmungsgemäße Anwendung des Vertikutierers bedeutet auch, dass durch den Hersteller festgelegte Betriebs-, Wartungs-, Lagerungs- und Reparaturbedingungen beachtet werden.

Um Unfälle zu vermeiden, sind alle Grundsätze für sichere Nutzung und Vermeidung von Gefahren zu beachten.

Allerlei vom Benutzer vorgenommenen Änderungen an Konstruktion der Maschine können Folgen für einen sicheren Betrieb der Maschine haben und befreien somit den Hersteller von der Haftung für entstandene Schäden oder Verletzungen.

### **RESTRISIKO**

Obwohl der Hersteller für die Konstruktion des Geräts zur Beseitigung der Gefahr verantwortlich ist, sind einige Risikoelemente während des Betriebs unvermeidlich. Das Restrisiko resultiert aus einem falschen Verhalten des Bedieners.

Die größte Gefahr besteht beim Auszuführen von folgenden verbotenen Aktivitäten:

- Benutzung des Geräts durch Kinder,
- Verwendung des Geräts für andere Zwecke als die in der Bedienungsanleitung beschriebenen,
- wenn andere Menschen, insbesondere Kinder oder Tiere, in der Nähe sind,
- Verwendung des Geräts durch Personen, die nicht mit der Bedienungsanleitung vertraut sind,
- Verwendung des Geräts ohne ordnungsgemäße, schützende Betriebskleidung und Schuhe, die den Fuß schützen,
- Verwendung des Geräts mit beschädigten Abdeckungen oder Gehäusen und ohne ordnungsgemäß installierte Sicherheitsvorrichtungen.

Wenn die Anweisungen in der Bedienungsanleitung beachtet werden, kann die verbleibende Gefahr bei der Verwendung des Geräts beseitigt werden. Es besteht die Gefahr, dass die oben genannten Empfehlungen nicht eingehalten werden.

## **ANWENDUNG**

Entsprechend der in dieser Bedienungsanleitung enthaltenen Beschreibung und Sicherheitsvorschriften ist die Maschine ausschließlich für Rasenmähen vorgesehen. Andere Anwendungen können für Benutzer gefährlich sein und können Schäden an der Maschine verursachen.

Die Maschine darf nicht eingesetzt werden, u.a. um:

- Blätter einzusammeln oder trockene Pflanzen aus dem Gelände zu entfernen,
- Maulwurfshaufen zu ebnen,
- Sträucher zu schneiden,
- Äste zu zerkleinern.

## **VORBEREITUNG AUF DIE ARBEIT**

Der Mäher wird vom Hersteller in teilweise zerlegtem Zustand in einer Kartonverpackung geliefert. Nachdem man sich mit der Bedienungsanleitung und Montagezeichnungen vertraut gemacht hat, sollte das Zusammenbauen der Maschine keine besonderen Probleme bereiten. Alle unentbehrlichen Bestandteile sind in der Verpackung vorhanden. Diese Bedienungsanleitung gilt für verschiedene Mähermodelle. Der besprochene Mäher kann deshalb von Ihrem Kauf abweichen. Lesen Sie nur die Teile, die sich auf Ihr Gerätemodell beziehen.

## **AUFBAU DES RASENMÄHERS**

Übersichtszeichnungen finden Sie auf Seite 3, Abb. 1-2

- 1 Griff
- 2 Motorbremshebel
- 3 Antriebshebel mit Kabelzug
- 4 Klemmhebel
- 5 Startergriff mit Kabelzug
- 6 Befestigungspunkt des Starterkabels
- 7 Korb
- 8 Hinterrad
- 9 Griff-zu-Gehäuse-Verbindungsmutter
- 10 Anschluss des Wasserreinigungssystems
- 11 Vorderrad
- 12 Luftfilterdeckel
- 13 Motor
- 14 Tankverschluss
- 15 Öleinfülldeckel
- 16 Schalldämpfer
- 17 Zündkerzenrohr
- 18 Seitliche Auswurfklappe
- 19 Seitliche Auswurfkanal
- 20 Korbanzeige
- 21 Einstellung des Kabels
- 22 Grasauswurfabdeckung
- 23 Einstellhebel für Schnitthöhe

## MONTAGE

Der Mähgriff ist werkseitig in der Aufbewahrungsposition eingestellt.

- Stellen Sie den unteren Griff in die Gebrauchsposition, stellen Sie sicher, dass sich der Griff zwischen den Anschlägen befindet, und ziehen Sie ihn mit der Flügelmutter fest. (Abb. 3).
- Stellen Sie den oberen Griff in die Gebrauchsposition und verriegeln Sie ihn mit dem Klemmhebel. Durch Drehen der Mutter wird die Länge der Klemmhebelschraube geändert, wodurch die Klemmkraft erhöht oder verringert wird. Die Befestigung erfolgt, wenn die Klemme in Pfeilrichtung gegen den Griff gedrückt wird gemäß Abb. 4.



**Achtung! Ein zu kurzes Verschrauben der Schraube mit einer Mutter kann dazu führen, dass der Klemmhebel nicht festgezogen wird und der Hebel beschädigt wird.**



**Achtung! Achten Sie beim Auf- und Zusammenklappen des Griffs darauf, dass das Motorbremskabel nicht bricht oder sich verbiegt. Ein verbogenes oder anderweitig beschädigtes Kabel kann die ordnungsgemäße Funktion des Mähers beeinträchtigen.**

- Den Starterkabelgriff 5 (Abb. 2) am Befestigungspunkt befestigen 6 (Abb. 2).



**Achtung! Das Starterkabel fährt mit Widerstand aus. Ziehen Sie den Motorbremshebel in Ihre Richtung und ziehen Sie das Kabel langsam auf die erforderliche Länge heraus. Denken Sie daran, dass das kräftige Ziehen des Starterkabels den Mäher starten kann.**

## MOTOR MIT ÖL BEFÜLLEN

Der Motor ist werkseitig nicht mit Öl gefüllt. Der Motor kann nach Werksinspektion Ölsuren aufweisen. Gießen Sie vor der ersten Inbetriebnahme ca. 0,6 l des empfohlenen B & S SAE30-Motoröls (Abb. 6A) ein und prüfen Sie den Stand am Ölmesstab, der in den Öleinfülldeckel integriert ist Abb. 6B.

Der Ölstand muss zwischen den folgenden Strichen liegen: min. / max.

Originalmotoröl für B & S SAE30 Rasenmäher wird empfohlen.

Der erste Ölwechsel sollte nach 5 Stunden Mäherbetrieb durchgeführt werden, nachdem etwa zwei Kraftstofftanks verbrannt wurden. Der nächste Ölwechsel sollte alle 25 Arbeitsstunden durchgeführt werden, jedoch mindestens einmal im Jahr.

Altöl ablassen, wenn der Motor noch heiß ist.

Überprüfen Sie vor jedem Gebrauch regelmäßig den Ölstand.

Füllen Sie bei Bedarf das Öl nach.



**Achtung! Altöl darf nicht versehentlich entsorgt, im Abwassersystem oder direkt in die Umwelt entsorgt werden. Bringen Sie es zu einer Ölentorgungsstelle.**

## TANKEN

- Lesen Sie vor dem Gebrauch die Sicherheits-, Gebrauchs-, Betriebs- und Lagerungsanweisungen in diesem Benutzerhandbuch.
- Kraftstoff sollte außerhalb von Räumen an einem Ort eingefüllt werden, an dem keine Funken- oder Flammgefahr besteht.
- Benzin sollte nur in zugelassenen geeigneten Behältern (Kanistern) gelagert werden. Überprüfen Sie regelmäßig den Zustand der Kraftstofflagerbehälter.

- Die Kraftstofftanks müssen sicher geschlossen sein. Ersetzen Sie aus Sicherheitsgründen beschädigte Tankdeckel.
- Verwenden Sie keine Getränkeflaschen oder ähnliches, um Verbrauchsmaterialien wie Kraftstoff oder Öl aufzubewahren, da andere Personen, insbesondere Kinder, daraus trinken könnten.
- Der Kraftstofftank sollte nur im Freien gefüllt werden. Rauchen Sie beim Tanken nicht.
- Vor dem Starten des Verbrennungsmotors sollte Benzin nachgefüllt werden.
- Schrauben Sie den Tankdeckel nicht ab und füllen Sie keinen Kraftstoff nach, während der Verbrennungsmotor läuft oder wenn der Motor heiß ist.
- Überfüllen Sie den Kraftstofftank nicht! Füllen Sie den Tank aufgrund der Wärmeausdehnung des Kraftstoffs nicht über der Unterkante des Einfüllstutzens.
- Das Gerät darf nicht mit gefülltem Kraftstofftank in Innenräumen gelagert werden. Die entstehenden Benzindämpfe können mit offenen Flammen in Kontakt kommen und sich entzünden. Wenn der Kraftstofftank geleert werden muss, sollte dies im Freien erfolgen. Stellen Sie vor dem Starten der Maschine sicher, dass sich kein Kraftstoff auf oder in der Nähe der Maschine befindet. Wischen Sie gegebenenfalls den Kraftstoff ab.



**Achtung!** Benzindämpfe sind brennbar. Stellen Sie vor dem Starten des Mähers sicher, dass die Arbeitsmaschine mindestens 3 m von den Kraftstofftanks entfernt ist.

## **BEDIENUNG**

### **BREMSHEBEL**

Ziehen Sie den Bremshebel, bevor Sie den Motor starten 2 zum Griff 1 (Abb. 1), wie in Abb. 8A gezeigt.

Durch Loslassen des Bremshebels stoppen Motor und Schneidmesser.

### **INBETRIEBNAHME DES MOTORS**



**Warnung!** Bei laufendem Motor drehen sich die Schneidklingen.

1. Prüfen Sie den Ölstand (Abb. 6B).
2. Füllen Sie den Kraftstofftank mit reinem bleifreiem Benzin (Abb. 5). Stellen Sie sicher, dass das Zündkerzenkabel mit der Zündkerze verbunden ist. (Abb. 7A, B)
3. Stellen Sie sich hinter dem Mäher. Halten Sie den Bremshebel mit einer Hand fest 2 (Abb. 1) in der Arbeitsposition wie in der Abbildung 8A gezeigt.
4. Fassen Sie mit der anderen Hand den Starterkabelgriff 5 (Abb. 2), wie in der Abbildung 8C gezeigt.
5. Ziehen Sie das Kabel leicht in Ihre Richtung, entfernen Sie den Starter-Durchhang, und wenn Sie Widerstand spüren, ziehen Sie es fest und kräftig und lassen Sie sie langsam zu seinem Platz zurückkehren.
6. Lassen Sie den Kabelgriff erst los, wenn das Kabel durch das Starter-Rückführsystem gezogen wurde.
7. Wenn der Motor nach 5-6 Hüben nicht anspringt, befolgen Sie die Anweisungen im Kapitel "Inspektion und Fehlerbehebung".

### **ARBEITEN MIT ANTRIEB**

Um den Antrieb zu starten, ziehen Sie 1 (Abb. 1) den Antriebshebel zum Griff 3 (Abb. 1), wie in der Abb. 8B gezeigt.

Sie können den Antrieb jederzeit ausschalten, indem Sie den Antriebshebel loslassen und das Gerät wie einen Mäher ohne Antrieb bedienen.

### HÖHENEINSTELLUNG BEIM MÄHEN



**Achtung!** Vor dem Ändern der Höhe den Motor abstellen und das Zündkerzenkabel trennen. Ändern Sie die Position des Einstellhebels, um die gewünschte Schnitthöhe einzustellen 23 (Abb. 2) am Gehäuse des Mähers (Abb. 9).

Sie können aus 6 verschiedenen Schnitthöhen im Bereich von 25 –75 mm wählen.

### MONTAGE DES GRASKORBES

1. Heben Sie die Abdeckung des Mähkorbs an 22 (Abb. 2).
2. Legen Sie den Korb ein 7 (Abb. 1) durch Einhaken der Haken am Korbeingang an einer dafür vorgesehenen Stange (Abb. 10) an der Mähauslassabdeckung, dann senken Sie die Abdeckung ab.
3. Stellen Sie sicher, dass die Haken richtig angebracht sind.



**Warnung!** Überprüfen Sie häufig den technischen Zustand des Graskorbes. Wenn Teile verschlissen oder beschädigt sind, ersetzen Sie sie durch neue, die bei autorisierten Servicezentren erhältlich sind.

### GRASKORB LEEREN

**Warnung!** Stoppen Sie den Motor vor dem Entleeren und Entfernen des Korbs.

Anzeige des Korbes 20 (Abb. 2) ermöglicht es Ihnen, den Füllstand des Korbs schnell zu beurteilen. Wenn die Anzeigetafel bei laufendem Mähwerk angehoben wird (Abb. 11A), bedeutet dies, dass der Korb noch nicht voll ist. Befindet sich die Anzeigetafel während der Arbeit des Mähers in horizontaler Position (Abb. 11B), bedeutet dies, dass der Korb voll ist und geleert werden muss.

### REINIGUNG DER SCHNEIDABDECKUNG



**Warnung!** Bei laufendem Motor drehen sich die Schneidklingen.

1. Reinigen Sie das gesamte Gerät nach Abschluss der Arbeiten gründlich.
2. Vor der Reinigung des Gehäuses den Motor abstellen und das Zündkerzenkabel trennen.
3. Leeren Sie den Kraftstofftank vor der Reinigung.
4. Ohne den Mäher seitlich zu kippen, stellen Sie diesen so auf den Boden, dass die Vorderräder in der Luft sind.
5. Reinigen Sie die Unterseite des Mähers mit einer Bürste und Wasser.

Verwenden Sie keine Hochdruckreinigungsgeräte, da Hochdruckwasser den Lackschutz des Gehäuses beschädigen kann. Verwenden Sie keine intensiven Reinigungs- und Waschmittel, z. B. aggressive Reinigungsmittel. Sie können Kunststoffe und Metalle beschädigen, was zu einer Verschlechterung der Sicherheit des Geräts führen kann.

Die zweite Möglichkeit, das Gehäuse zu reinigen, ist die Verwendung des Gehäusereinigungssystems. Nachdem Sie den Schlauch an eine spezielle Schnellkupplung angeschlossen haben, die bereits im Mähergehäuse montiert ist, und das Wasser abschrauben, starten Sie den Mäher. Das Gerät wird während der Drehung des Messers gereinigt, bei der ein starker Strahl Rückstände vom Gras abspült. (Abb. 12).

## MONTAGE DES SEITENAUSWURFKANALS

So montieren Sie die seitliche Auswurfklappe:

1. öffnen Sie die seitliche Auswurfklappe 18 (Abb. 2) (Um die Abdeckung zu entriegeln, drehen Sie zuerst die Achsabdeckung (Abb. 14A, B),
2. drücken Sie den seitlichen Auswurfkanal hinein 19 (Abb. 2), wie in Abb. 14C gezeigt,
3. legen Sie die seitliche Auswurfklappe auf den seitlichen Auswurfkanal (Abb. 14D).

## SCHLEIFFUNKTION

Das Mulchen ist ein Pflegeverfahren, bei dem geschnittenes Gras fragmentiert wird. Das Mulchsystem ermöglicht es, es ganz oder teilweise auf dem Boden zu belassen, wo es sich zersetzt und Nährstoffe liefert.

Der Rasen erfüllt die Bedingungen zum Mulchen, wenn das Gras nicht mehr als 4 cm beträgt. Der Rasen, auf dem gemulcht wird, muss regelmäßig und häufig gemäht werden - sogar alle paar Tage. Beim Mulchen an der Oberfläche dürfen nur junge und zarte Stängel übrig bleiben, die den Rasen nicht beschädigen, da sie sich auseinandersetzen und nicht verfaulen.

Um die Schleiffunktion zu starten, entfernen Sie den Graskorb und entfernen Sie die seitliche Auswurfabdeckung (falls vorhanden). Montieren Sie den Grasschleifaufsatz / -stopfen (Abb. 13) auf den hinteren Auslass und schließen Sie die Heckklappe.



**Damit das Mulchen voll wirksam ist, muss ein Schleifmesser dazugekauft werden.**

## SEITLICHES AUSWERFEN

So arbeiten Sie mit dem Seitenauswurf:

1. Entfernen Sie den Graskorb 7 (Abb. 1) (falls vorhanden), führen Sie den Mulchstopfen in die hintere Auslassöffnung ein (Abb. 13) und schließen Sie die Klappe 22 (Abb. 2).
2. Heben Sie die seitliche Auswurfklappe an und montieren Sie den seitlichen Auswurfkanal mit den Halterungen. Hinweis: Zum Anheben die seitliche Auswurfklappe kann es erforderlich sein, viel Kraft anzuwenden oder ein spezielles Schloss zu öffnen, das ein automatisches Öffnen verhindert (falls auf Ihrem Modell vorhanden). (Abb. 14A-C)
3. Legen Sie die seitliche Auswurfklappe auf den seitlichen Auswurfkanal. (Abb. 14D).

## WARTUNG

### HANDHABUNG DES SCHNEIDMESSERS



**Warnung:**

Trennen Sie das Zündkerzenkabel, bevor Sie das Schneidmesser oder die Klingenbefestigungswelle überprüfen. Wenn das Messer auf einen Gegenstand trifft, stellen Sie den Motor ab, ziehen Sie das Zündkerzenkabel ab und prüfen Sie den Mäher auf Beschädigungen. Prüfen Sie, ob die Kurbelwelle oder der Adapter, an dem das Messer befestigt ist, beschädigt (verbogen oder gebrochen) ist.

Der Messeradapter bietet keinen Schutz gegen Motorschäden, wenn das Messer auf andere Gegenstände als Gras trifft, z. B. Steine, Äste, Maulwurfshügel.

Überprüfen Sie häufig, ob die Messer nicht verbogen sind, nicht übermäßig abgenutzt sind und ob keine anderen Schäden wie Risse oder Verformungen vorliegen.

Beschädigte Teile müssen durch neue ersetzt werden, die vom Hersteller empfohlen werden. Tauschen Sie die Messer aus Sicherheitsgründen alle zwei Jahre aus. Messer sollten gut geschärft

sein (Details im Kapitel "Messer schärfen"). Stumpfe Messer ziehen am Gras, wodurch die Spitzen gelb werden.



**Achtung! Nach jedem Schärfen muss das Messer absolut ausgewuchtet werden. Ein nicht ausgewuchtetes Messer kann gefährliche Vibrationen verursachen, die den Mäher beschädigen und / oder einen Unfall verursachen können.**

**Überprüfen Sie die Messerklemmschraube häufig. Die Schraube muss mit einem Drehmoment von 45 bis 55 Nm fest angezogen werden.**

### **MESSER ENTFERNEN (Abb. 15A)**

1. Adapter
2. Messer
3. Unterleger
4. Schraube



**Achtung! Das Schneidmesser 2 (Abb. 15A) kann sehr scharf sein, verwenden Sie Handschuhe, um Ihre Hände vor Verletzungen zu schützen.**

1. Leeren Sie den Kraftstofftank.
2. Verwenden Sie einen Holzblock, um zu verhindern, dass sich das Messer dreht.
3. Lösen Sie die Schraube, mit der das Messer befestigt ist.
4. Überprüfen Sie den Zustand des Messers (siehe Kapitel "Bedienung des Schneidmessers").
5. Ersetzen Sie das abgenutzte oder beschädigte Messer durch ein neues, vom Hersteller empfohlenes.
6. Ziehen Sie die Schraube mit 45 bis 55 Nm an. Wenn die Klemmschraube zu locker ist, kann sich das Messer lösen und einen Unfall verursachen.



**Achtung! Denken Sie beim Installieren des Messers an die Richtung des Messers. Wenn das Messer falsch befestigt ist, schneidet es nicht richtig und kann einen Unfall verursachen.**

### **DIE WICHTIGSTEN MESSERPARAMETER (Abb. 15B)**

A - Länge (560 mm), kürzere Messer sind erlaubt, aber dann müssen Sie berücksichtigen, dass die effektive Schnittbreite kleiner ist.

B - Breite (57 mm),

C - Klemmlochdurchmesser (11 mm),

D - Lochabstand (27,5 mm),

Der Lochdurchmesser 11x11 mm Kreis für Sicherheitskeile ist Standard und beträgt 15,5 mm.

Es wird empfohlen, MURRAY-Schneidmesser für das jeweilige Mähermodell zu verwenden.



**Achtung! Die Form des Messers gibt seine Eigenschaften an, je nach Form des Messers ist es besser geeignet für: Mähen mit einem Korb, Mähen mit Seitenauswurf oder Mulchen. Das in der Fabrik verwendete Universalmesser ist möglicherweise weniger effizient als erwartet. Es wird daher empfohlen, für jede Funktion Zubehörmesser zu kaufen, d. H. eines zum Schleifen und das andere zum Grasabwurf in den Korb.**

### **BETRIEB DER ZÜNDKERZE**

Die Zündkerze (Abb. 16A) muss zu Beginn jeder Saison oder nach 100 Betriebsstunden ausgetauscht werden.

Verwenden Sie die originalen B&S QC12YC / B&S 797429 Zündkerzen. Der empfohlene Abstand zwischen den Elektroden beträgt: 0,51 mm (Abb. 16B). Überprüfen Sie den Spalt mit einer Fühlerlehre.

### **ÖLWECHSEL**

Der erste Ölwechsel sollte nach 4 bis 5 Stunden Motorbetrieb durchgeführt werden. Führen Sie den nächsten Ölwechsel alle 25 Betriebsstunden oder öfter durch. Die Ölablassschraube kann am Motorblock montiert sein, dies hängt jedoch vom Motormodell ab. Wenn der Motor keine Ablassschraube im Motorblock hat, gießen Sie nach dem Entleeren des Kraftstofftanks Öl mit der Einfüllschraube ein:

- Schrauben Sie den Öleinfülldeckel mit dem Ölmesstab ab.
- Entfernen Sie den Luftfilter, um zu verhindern, dass er beim Kippen des Mähers Benzin aufnimmt.
- Kippen Sie den Mäher zur Seite des Öleinfüllstopfens 15 (Abb. 1).
- Lassen Sie den Mäher in dieser Position, bis das Öl nicht mehr fließt (dies kann einige Minuten dauern).

Nachdem Sie das Öl aus dem Motor gegossen haben, positionieren Sie den Mäher in einer flachen Position und füllen Sie etwa 0,6 l Motoröl, das von B&S mit der SAE30-Spezifikation empfohlen wird, ein, indem Sie den Pegelstand auf dem im Öleinfülldeckel integrierten Messstab überprüfen. Schrauben Sie die Ölschraube mit dem Ölmesstab ein und installieren Sie den Luftfilter.

### **LUFTFILTERWECHSEL (Abb. 18A, B)**

Überprüfen Sie alle 25 Betriebsstunden den Zustand des Luftfilters. Der Filter muss alle 100 Stunden oder früher ausgetauscht werden, wenn er schmutzig ist. Lösen Sie die Befestigung A, mit der die Luftfilterabdeckung B (Abb. 18B).

1. Öffnen Sie den Deckel B (Abb. 18B).
2. Entfernen Sie den Vorfilter C und den Filter D (Abb. 18B).
3. Wenn der Filter nicht beschädigt ist:
  - Klopfen Sie den Filter D (Abb. 18B) vorsichtig auf eine harte Oberfläche, um Verunreinigungen zu entfernen,
  - Waschen Sie das Filterschwammelement C (Abb. 18B) mit Wasser und Reinigungsmittel.
  - Sie das Schwammelement in einem sauberen Tuch trocken.
  - Eineichen Sie das Filterschwammelement mit Motoröl nicht.
4. Wenn der Filter beschädigt ist, ersetzen Sie den Filter durch einen neuen.
5. Bringen Sie die Abdeckung wieder an, indem Sie die Riegel in die Schlitze am Filtergehäuse schieben oder die Schraube festziehen.

### **EINSTELLEN DER KABEL**

Beim Einsatz des Mähers können sich die Kabel dehnen und schrumpfen. Sie sollten dann überprüft und richtig eingestellt werden (falls das am jeweiligen Modell möglich ist). Dazu sollte man: die kleine Kontermutter lösen 1 (Abb. 19 und dann je nach Ihren Bedürfnissen:

1. die Einstellmutter drehen 2 (Abb. 19) gegen den Uhrzeigersinn: das Kabel wird kürzer,
2. die Einstellmutter drehen 2 (Abb. 19) im Uhrzeigersinn: Das Kabel wird länger.



## SCHMIERUNG

Zum Schieren des Zahnkranzes des Hinterrads 8 (Abb. 1) sollten Sie:

1. Die Radkappe des hinteren Antriebsrads entfernen, indem Sie die Radkappe nach links (gegen den Uhrzeigersinn) drehen.
2. Antriebsradmutter mit einem 13-mm-Schlüssel lösen.
3. Das Antriebsrad von der Achse entfernen.
4. Den Seeger-Ring entfernen 24 (Abb. 20) und dann das Antriebskettenrad 25 (Abb. 20) von der Getriebewelle schieben 27 (Abb. 21).
5. Kettenrad, Antriebsträger 26 (Abb. 21) und die Getriebewelle müssen von Fettrückständen gereinigt und leicht eingefettet werden. Das empfohlene Fett für diesen Vorgang ist MURRAY-Kegelradfett.



**ACHTUNG! Schmieren Sie das Zahnrad von innen 25 (Abb. (21)). Der Außenring des Antriebskettenrads oder des Antriebsrads darf nicht geschmiert werden.**

6. Den gesamten Mäherantrieb in umgekehrter Reihenfolge wieder einbauen.

## TRANSPORT

### VORBEREITUNG FÜR DEN TRANSPORT

- Entfernen Sie vor dem Transport des Mähers das Öl und kühlen Sie dann den Motor ab, entfernen Sie Kraftstoff aus dem Tank, dem Vergaser und den Kraftstoffleitungen.
- Das Gerät kann nur in Arbeitsposition, d.h. in einem Winkel von maximal 15 Grad zur Horizontalen, transportiert werden.
- Der Griff kann gefaltet sein.



**Achtung! Seien Sie vorsichtig, wenn Sie den Griff ein- oder usklappen, da er die Kabel beschädigen kann. Beschädigte Kabel können zu Fehlfunktionen des Mähers führen und in einigen Fällen die Sicherheit der Verwendung des Geräts beeinträchtigen.**

**INSPEKTION UND PROBLEMDIAGNOSE****INSPEKTION**

Inspektionen		Vor jedem Einsatz	Nach 5 Betriebsstunden	Nach jeweils 25 Betriebsstunden oder einmal pro Saison	Vor der Lagerung	Nach jeweils 100 Betriebsstunden	Nach jedem Gebrauch
Motoröl	überprüfen	x					
	wechseln		x (nur 1 Ersatz)	x			
Luftfilter	überprüfen	x					
	reinigen		x				
	wechseln			x			
Zündkerze	überprüfen			x			
	wechseln					x	
Schneidmesser	überprüfen	x					
	schärfen			x			
Einstellen der Kabel	überprüfen		x				
Adapter	überprüfen	x					
Schutz des Antriebs	überprüfen		x				
Antriebsriemen	ersetzen			x (vor jeder Saison)			
Gewindeverbindungen	überprüfen	x			x		
Kraftstoff	überprüfen	x					
	entleeren				x		
Der Boden des Mähers	reinigen		x				x
	warten				x		
Schmieren	ausführen			x	x		
Ventile	überprüfen / einstellen			x			

**Die jährlich, nach der Saison oder vor der Saison durchgeführte bezahlte Inspektion vom Service wird dazu beitragen, Probleme während der Saison zu vermeiden.**

**PROBLEMLÖSUNG**

Problem	Mögliche Ursache	Problemlösung
Das Gerät startet nicht.	Kein Kraftstoff.	Überprüfen Sie den Kraftstoffstand und füllen Sie gegebenenfalls Kraftstoff nach.
	Zündkerze feucht oder beschädigt.	Überprüfen, reinigen oder ersetzen Sie die Zündkerze.
	Unterbrechung des Zündsystems oder Verschmutzung des Kraftstoffeinsatzes.	Lassen Sie Ihren Rasenmäher von einem Gartendienst reparieren, am besten von einem autorisierten Servicezentrum.

<b>Problem</b>	<b>Mögliche Ursache</b>	<b>Problemlösung</b>
Der Motor läuft ungleichmäßig.	Luftfilter verschmutzt.	Ersetzen oder reinigen Sie den Filter.
	Kraftstoff von geringer Qualität.	Kraftstoff entfernen und Mäher mit hochwertigem Kraftstoff auftanken.
	Verstopfte Kraftstoffleitung, kein Kraftstoff oder alter Kraftstoff.	Reinigen Sie die Kraftstoffleitung, prüfen Sie die Kraftstoffzufuhr und fügen Sie frischen Kraftstoff hinzu.
	Wasser, Öl oder Schmutz im Kraftstoffsystem.	Den Vergaser mit der Schraube der Kraftstoffwanne entleeren und mit frischem Gemisch auffüllen.
	Ölgefüllter Vergaser, wenn der Mäher zur Seite geneigt ist.	Vergaser von Öl reinigen.
Der Motor geht aus.	Falsch eingestellter Bremszug.	Entsprechende Nachstellung vornehmen.
	Verschmutzter Luftfilter.	Filter austauschen.
Motor raucht.	Ölgefüllter Schalldämpfer, nachdem der Mäher zur Seite geneigt wurde.	Füllen Sie das Öl auf und starten Sie den Mäher für 15 Minuten, das Öl brennt von selbst aus.
Übermäßige Vibrationen.	Messeradapter beschädigt.	Auswechseln.
	Krumme Motorwelle (nach Aufprall).	Sofort den Motor abstellen und die Zündkerzenrohr entfernen. Ziehen Sie alle Schrauben an und führen Sie andere geeignete Reparaturen durch. Wenn die Vibration nicht verschwindet, vertrauen Sie die Reparatur einem autorisierten Servicecenter an.
	Lockere Befestigung von Komponenten.	
Der Mäher wirft kein Gras in den Korb.	Das Gras ist zu hoch.	Zweimal mähen.
	Nasses Gras.	Nicht mähen.
	Umgedrehtes oder abgenutztes Schneidmesser.	Setzen Sie das Schneidmesser richtig ein oder ersetzen Sie es.
	Schmutziges Mähwerk.	Mäherfahrwerk reinigen.
	Verschmutzter oder überfüllter Korb.	Korb entleeren und reinigen.
	Motordrehzahl zu niedrig.	Passen Sie die Drehzahl im autorisierten Servicecenter an.
Radantrieb funktioniert nicht (Antriebsversion)	Abgenutzter oder beschädigter Antriebsriemen.	Ersetzen Sie den Radantriebsriemen.
	Liegendes geschnittenes Gras.	Getriebemechanismus reinigen.
	Falsch eingestelltes Antriebskabel.	Stellen Sie das Antriebskabel ein.
	Verschlissener Antriebsschutzmechanismus.	Ersetzen Sie das Zahnrad.

### **GARANTIE UND SERVICE**

Das von Ihnen gekaufte Produkt ist nur für Amateur- (Hobby-) Zwecke bestimmt. Wenn das Gerät für andere Zwecke (gewerblich, professionell) verwendet wird, geht die Haftung des Garantiegebers für das gekaufte Gerät verloren. Informationen zur Garantie und zum MURRAY-Service finden Sie auf der beigefügten Garantiekarte.

**KONFORMITÄTSERKLÄRUNG****EG-Konformitätserklärung**

Hersteller:

Bezeichnung: NAC Sp. z o.o.  
Adresse: Al. Krakowska 39, 05-090 Raszyn, Polen

erklärt mit voller Verantwortung, dass die Maschine:

Bezeichnung: Benzinrasenmäher  
Modell: EQ2-700X  
Seriennummer: 033 22 2490745490 9000 000001 – 033 25 2490745490 9000 999999

folgende wesentliche Anforderungen erfüllt:

- Maschinenrichtlinie MD 2006/42/EG,
- Kompatibilitätsrichtlinie EMC 2014/30/EU,
- Lärmschutzrichtlinie NEE 2000/14/EG Anhang VI und 2005/88/EG,

die Anforderungen der folgenden harmonisierten Normen erfüllt:

- EN ISO 5395-1:2013+A1,
- EN ISO 5395-2:2013+A1+A2,
- AfPS GS 2014:01 PAK,
- EN ISO 14982:2009,
- EN ISO 3744:1995,
- ISO 11094:1991

und die folgenden Anforderungen erfüllt:

- 2016/1628/EU.

2000/14/EG: das Konformitätsbewertungsverfahren gemäß Anhang VI:

- gemessener maximaler Schallleistungspegel: LWA beträgt 94 dB (A),
- garantierter Schallleistungspegel: LWA beträgt 98 dB (A).

Die Konformitätsbewertungsverfahren gemäß NEE 2000/14/EG wurden unter Beteiligung einer benannten Stelle durchgeführt:

Bezeichnung: TÜV Rheinland LGA Products GmbH  
Adresse: Tillystrasse 2, 90431 Nürnberg, Germany  
Identifikationsnummer: 0197

Ort der Einreichung und Aufbewahrung der technischen Dokumentation:

NAC Sp. z o.o.  
Al. Krakowska 39,  
05-090 Raszyn

Jarosław Malinowski

Direktor für technische Angelegenheiten und Zertifizierung

Raszyn, 30 November 2021

# GARANTIE

*Sehr geehrte Damen und Herren!*

*Vielen Dank für den Kauf unseres Produkts und herzlichen Glückwunsch zu Ihrer richtigen Wahl. Das von Ihnen gekaufte Gerät wurde nach den neuesten Technologien entwickelt und hergestellt. Es steht für globale Qualitäts- und Zuverlässigkeitsstandards und ist gleichzeitig umweltfreundlich.*

*Wir erinnern Sie daran, die Inbetriebnahme- und Betriebsverfahren sorgfältig zu lesen, bevor Sie das Gerät verwenden. Diese Verfahren sind in der mit dem Gerät gelieferten Bedienungsanleitung enthalten.*

*Unser spezialisiertes Servicenetz bietet Ihnen technische und betriebliche Beratung aller Art.*

*Eine Liste der autorisierten Servicepunkte und Servicetipps finden Sie unter: **[www.murray.com](http://www.murray.com)***

## **GARANTIEBEDINGUNGEN**

In Polen ist der Bürge NAC Sp. z o.o.

1. Die Firma NAC garantiert den reibungslosen Betrieb des Geräts Murray gemäß den in der Bedienungsanleitung beschriebenen technischen und betrieblichen Bedingungen.
2. Eine 24-monatige Garantie wird dem Verbraucher „(d.h. einer natürlichen Person, die mit dem Gewerbetreibenden eine Rechtshandlung durchführt, die nicht in direktem Zusammenhang mit seiner Geschäftstätigkeit oder seinem Beruf steht)“ und eine 12-monatige Garantie für den Kauf durch den Gewerbetreibenden „(d.h. einer natürlichen Person, einer juristischen Person und einer Organisationseinheit, die in eigenem Namen eine Geschäftstätigkeit oder einen Beruf ausübt)“ gewährt. Nach dieser Frist hat der Benutzer Anspruch auf bezahlte Reparaturen.
3. Alle während der Garantiezeit offengelegten Schäden, die auf Material-, Montage- oder Herstellungsfehler zurückzuführen sind, werden kostenlos beseitigt.
4. Die Grundlage für den Erhalt des Garantieschutzes ist der Kaufnachweis des Geräts bei einem autorisierten Händler von MURRAY-Geräten zusammen mit dem Ausdruck dieser Garantiekarte, die am Tag des Verkaufs unterzeichnet wurde und vom einem offiziellen MURRAY-Vertragshändlerausgestellt wurde. Die Garantiedeckung wird nicht gewährt, wenn der Garantiedruck von einem Unternehmen zertifiziert / abgestempelt wurde, das kein MURRAY-Vertragshändler ist. Diese Garantie gilt für das Gebiet der Republik Polen.
5. Defekte des der Garantie unterliegenden Geräts werden innerhalb von 14 Arbeitstagen ab dem Datum der Abnahme im autorisierten MURRAY-Servicezentrum repariert. Diese Frist kann in Ausnahmefällen auf 30 Werktage verlängert werden.
6. Aus Gründen, die außerhalb der Kontrolle des Garantiegebers liegen, kann die oben genannte Frist verlängert werden, insbesondere wenn das Produkt zusätzliche Überprüfungen / Fachkenntnisse erfordert oder Umstände in Form höherer Gewalt vorliegen, die sein Verhalten verhindern, z. B. Überschwemmungen, Feuer, Streiks, Naturkatastrophen, Einfuhrbeschränkungen usw.
7. Die Garantie umfasst keine Aktivitäten wie: Montage, Wartung, Service, regelmäßige Einstellung und Reinigung sowie Inspektionen, Öl- und Filterwechsel sowie Materialien und Teile, die für die oben genannten Aktivitäten verwendet werden. Diese Aktivitäten können gegen eine Gebühr durchgeführt werden.
8. Zur Behebung von Mängeln oder Schäden muss das Gerät zusammen mit dem Kaufbeleg und einer gültigen Garantiekarte an das nächstgelegene autorisierte Servicezentrum oder an ein bequemes Tür-zu-Tür-System oder an den Kaufort geliefert werden. Das Gerät sollte vorher gereinigt werden. Der Service / das Geschäft kann die Reparatur eines nicht gereinigten Geräts ablehnen. Wenn das Gerät gesendet werden soll, müssen die Betriebsflüssigkeiten (Kraftstoff und Öl) vor der Übergabe an den Kurier oder Verkäufer geleert werden. Die Verpackung muss einen sicheren Transport gewährleisten, Originalverpackung wird empfohlen.
9. Die Art und Weise der Reparatur wird durch den Garantiegeber bestimmt. Der Garantiegeber ist nicht verpflichtet, während der Garantiereparatur ein Ersatzgerät zur Verfügung zu stellen.
10. Diese Garantie gilt, sofern das Gerät gemäß den beigefügten Betriebsanweisungen ordnungsgemäß verwendet, gelagert und gewartet wird.
11. Der Benutzer ist verpflichtet, die Verwendung des beschädigten Geräts unverzüglich einzustellen. Die fortgesetzte Verwendung eines beschädigten Geräts kann zu weiteren Fehlern führen und die Gesundheit oder das Leben des Benutzers oder Dritter gefährden.
12. Die Garantie deckt keine Schäden ab, die entstehen durch: mechanische Schäden, Missbrauch, Änderung oder Reparatur durch unbefugte Personen. Dies gilt auch für die Installation und Verwendung von falschen Teilen und Filtern, Fetten, Ölen, Kraftstoffen.
13. Eventuelle Schäden an den Garantiesiegeln oder am Seriennummernschild können die Grundlage für die Ablehnung der Garantie sein.
14. Die Garantie deckt keine Mängel ab, die durch Blitzschlag, Feuer, Überschwemmungen und andere Naturkatastrophen verursacht wurden.
15. Die Garantie erstreckt sich nicht auf den Verschleiß während des Betriebs und unterliegt der Zustandskontrolle des Benutzers, wie z.B.: Keilriemen, Glühbirnen, Filter, Zündkerzen, Laufräder, Messer und Schneidklingen, Messerhalter, Litzenköpfe, Schneidketten, Kettenführungen, Steuerkabel, Rillen und Überlaststifte.
16. NAC ist nicht verantwortlich für direkte oder indirekte Schäden, Verluste oder Kosten, die sich aus der Verwendung oder Unfähigkeit ergeben, das Gerät für irgendeinen Zweck zu verwenden.
17. Wenn vor Beginn der Reparatur Aktivitäten im Zusammenhang mit der Wartung des Geräts durchgeführt werden müssen, kann der Service / das Geschäft diese Aktivitäten mit Zustimmung des Benutzers gegen eine Gebühr durchführen.
18. Wenn es sich während der Reparatur als notwendig erweist, sicherheitsrelevante Elemente oder Dritte zu ersetzen (einschließlich Schneidmesser, Ketten, Führungen, Schutzvorrichtungen von Schneidelementen und andere sicherheitsrelevante Elemente), dann ist der Dienst verpflichtet, diese Elemente zu ersetzen, auch wenn es notwendig ist, mit Zustimmung des Benutzers eine Gebühr zu erheben. Im Falle einer Ablehnung sendet der Service das Produkt ohne Reparaturen zurück.
19. Die Garantie deckt keine Schäden an Gegenständen oder Personen ab.
20. Garantie für die verkauften Waren schließt die Rechte des Käufers, der eine natürliche Person ist, gemäß den Bestimmungen der Garantie für Mängel des verkauften Artikels nicht aus, schränkt sie nicht ein oder setzt sie aus.

## GARANTIEKARTE

.....  
Gerätename \*

.....  
Modell \*

.....  
Verkaufsdatum \*

.....  
Seriennummer des Geräts \*

.....  
Seriennummer des Motors

Ich erkläre, dass ich das Benutzerhandbuch und die Garantiekarte gelesen habe. Ich habe das gekaufte Gerät in einwandfreiem Zustand zusammen mit dem Kaufbeleg erhalten.

Lesbare Unterschrift des Käufers .....

.....  
Stempel und lesbare Unterschrift des Verkäufers\*<sup>1</sup>

\* Vom Verkäufer auszufüllen

\*<sup>1</sup> Ich erkläre, dass ich offizieller, autorisierter MURRAY Distributor bin.

Die Abgabe einer mit den Tatsachen unvereinbaren Erklärung durch ein Unternehmen, das kein autorisierter MURRAY Distributor ist, kann zu einer strafrechtlichen Haftung des Verkäufers gemäß Art. 271 und Art. 286 des Strafgesetzbuches führen.

Nr.	Datum	Protokollnummer	Stempel des Unternehmens
	Datum der Meldung des Ausfalls		
	Datum des Abschlusses der Reparatur / Datum der Rückgabe des Geräts		
	Datum der Meldung des Ausfalls		
	Datum des Abschlusses der Reparatur / Datum der Rückgabe des Geräts		
	Datum der Meldung des Ausfalls		
	Datum des Abschlusses der Reparatur / Datum der Rückgabe des Geräts		
	Datum der Meldung des Ausfalls		
	Datum des Abschlusses der Reparatur / Datum der Rückgabe des Geräts		
	Datum der Meldung des Ausfalls		
	Datum des Abschlusses der Reparatur / Datum der Rückgabe des Geräts		

Das Original-Reparaturprotokoll entspricht dem Eintrag in der Garantiekarte.



**¡Atención! Antes de iniciar el montaje o la operación del dispositivo, lea este manual de instrucciones.**

**El dispositivo está diseñado para operación en áreas domésticas.**

**Se pierde la garantía si el dispositivo se utiliza con fines profesionales, semiprofesionales o lucrativos.**

Instrucciones originales, edición 1/2022

*El presente manual debe considerarse parte integrante del equipo. Debería conservarse en el lugar previsto para ello, de modo que sea fácilmente accesible. No olvide entregar este manual al nuevo propietario o usuario en caso de que el aparato sea revendido o transferido a otra persona.*

## **LISTA DE CONTENIDOS**

Lista de contenidos	56
Parámetros técnicos	57
Descripción de las páginas gráficas y pictogramas	57
Normas de seguridad para máquinas y equipos con motor de combustión	58
Normas generales de seguridad	59
Normas específicas de seguridad	61
Seguridad y responsabilidad del fabricante	64
Riesgo residual	65
Aplicaciones	65
Preparación para el trabajo	65
Estructura del cortacésped de combustión	65
Manejo	67
Mantenimiento	70
Transporte	72
Inspecciones y diagnóstico de problemas	73
Garantía y servicio técnico	74
Declaración de conformidad	75
Condiciones de garantía	77
Tarjeta de garantía	78



**PARÁMETROS TÉCNICOS**

<b>Modelo</b>	<b>EQ2-700X</b>
Motor	B&S 750EX DOV
Tipo de motor	monocilíndrico, cuatro tiempos, refrigerado por aire, DOV
Combustible	gasolina sin plomo 95 Pb
Cilindrada	161 cc
Potencia nominal de la máquina	2,61 kW – 2900 rev./min
Par máximo	9,5 Nm – 2400 rev./min
Velocidad máxima de giro	2900 rev./min
Capacidad del depósito de combustible	1 L
Capacidad del cárter de aceite	0,6 L
Carcasa	acero
Capacidad de la cesta	75 L
Anchura de corte	56 cm
Altura de corte	25-75 mm, ajuste en 6 posiciones
Nivel de potencia sonora garantizado LWA	98 dB (A)
Nivel de presión acústica LpA	LpA=82,5 dB (A), K=3 dB (A)
Valor de las vibraciones transmitidas por la máquina y que actúan sobre los miembros superiores del operario	ahv=5,569 m/s <sup>2</sup> , K=1,5m/s <sup>2</sup>
Peso del equipo	34,1 kg
Año de fabricación	2022

El equipo incluye:

- cortacésped de combustión,
- cesta,
- tornillos, tuercas,
- instrucciones de uso,
- tarjeta de garantía,
- condiciones de garantía,
- declaración de conformidad CE.

**DESCRIPCIÓN DE LAS PÁGINAS GRÁFICAS Y PICTOGRAMAS**

Pictogramas página 2.A

1. ¡Atención! Peligro. Extremar la precaución.
2. ¡Importante! Lea las instrucciones y observe las advertencias.
3. Peligro de lesiones por objetos expulsados cuando la máquina está en funcionamiento. Mantenga una distancia de seguridad con otras personas.
4. Mantenga una distancia segura con los edificios.
5. En laderas, no cortar la hierba en el sentido de la pendiente.
6. Atención: Desconecte la pipa del cable de alta tensión de la bujía antes de realizar el mantenimiento y/o la reparación.
7. Mantenga el aparato fuera del alcance de los niños.
8. Se prohíbe trabajar bajo la lluvia.
9. Atención: Mantenga las manos y los pies alejados de las hojas de las cuchillas.

10. Nunca trabaje con la trampilla de expulsión de la cesta levantada. Los objetos despedidos por la cuchilla del cortacésped pueden ser peligrosos.
11. Antes de empezar a trabajar compruebe y despeje el terreno.
12. No permita que haya personas cerca del cortacésped cuando esté en funcionamiento.
13. Atención: Mantenga las manos y los pies alejados de las partes giratorias.
14. Antes de limpiar, reparar o inspeccionar la máquina asegúrese de que la cuchilla y todas las partes móviles se hayan detenido.
15. Riesgo de incendio o explosión. La gasolina es altamente inflamable.
16. Atención: Las superficies calientes pueden causar quemaduras.
17. Utilice gafas de seguridad.
18. Utilice protección auditiva.
19. Utilice guantes de protección.
20. Lleve calzado de seguridad.
21. ¡Atención! Motor de cuatro tiempos, no mezclar gasolina y aceite. La máquina tiene dos depósitos separados y bocas de llenado para el aceite y la gasolina.
22. La cuchilla gira durante unos segundos después de apagar el cortacésped. No transporte el cortacésped sin las cuchillas completamente detenidas.
23. Atención: Los gases de escape son perjudiciales para la salud. Existe peligro de intoxicación o asfixia. No utilice la máquina en un lugar cerrado.
24. No se deshaga de los equipos usados. El usuario está obligado a llevar el equipo usado a un punto de recogida oficial para su correcto procesamiento.

#### **OTRAS IDENTIFICACIONES EN LA MÁQUINA**

1. Placa de características (página 2.B).  
La placa de características se encuentra en la parte trasera de la carcasa del cortacésped. La información de esta placa es esencial para determinar las piezas de repuesto y los trabajos de mantenimiento adecuados.
2. Nivel de potencia sonora garantizado (página 2.C).
3. Advertencias y otras identificaciones (página 2. D).

#### **NORMAS DE SEGURIDAD PARA MÁQUINAS Y EQUIPOS CON MOTOR DE COMBUSTIÓN**



##### **¡Advertencia!**

- Lea detenidamente las instrucciones. Familiarícese con las normas y controles de seguridad y el uso correcto del equipo.
- El incumplimiento de las siguientes advertencias e instrucciones de seguridad puede provocar una descarga eléctrica, un incendio y/o lesiones graves.
- Conserve este manual para futuras consultas.
- Este equipo no está destinado a ser utilizado por personas (incluidos los niños) con capacidades físicas, sensoriales o mentales reducidas, o con falta de experiencia y conocimientos, a menos que estén supervisadas por una persona responsable de su seguridad.
- No permita que los niños, los jóvenes menores de 16 años o personas que no estén familiarizadas con las instrucciones de uso del equipo lo manejen.

## **NORMAS GENERALES DE SEGURIDAD**

### **SEGURIDAD EN EL LUGAR DE TRABAJO**

- El lugar de trabajo debe mantenerse ordenado y bien iluminado. El desorden y la mala iluminación pueden provocar accidentes.
- No permita que los niños o los observadores se encuentren en las zonas en las que se utiliza el equipo de motor de combustión. Las distracciones pueden hacerle perder el control del equipo. Mantenga el equipo de jardinería alejado de los transeúntes.
- El operador o el usuario es responsable de los accidentes o riesgos sobre otras personas o al medio ambiente.

### **SEGURIDAD AL TRABAJAR CON COMBUSTIBLE**

- El motor de combustión interna está diseñado para funcionar con gasolina o combustible mixto (**consulte el tipo de combustible en los datos técnicos del aparato**).
- Almacene la gasolina únicamente en recipientes especialmente diseñados para tal fin (garrafas).
- Almacene la gasolina lejos de objetos que puedan provocar un incendio, p. ej., hogueras, fuegos abiertos, donde haya chispas eléctricas, temperaturas elevadas, chispas causadas por soldadura u otras fuentes de calor que puedan inflamar el combustible.
- Llene el depósito de combustible únicamente al aire libre.
- Es extremadamente peligroso fumar o utilizar una llama abierta mientras la máquina esté en funcionamiento o mientras se llena el depósito de combustible.
- Apague y deje enfriar siempre el motor antes de llenar el depósito de combustible.
- No llene el depósito por encima del borde inferior de la boca de llenado, la gasolina posee una gran expansión térmica.
- En caso de derrame de combustible, limpie inmediatamente la gasolina derramada con un paño seco.
- Al llenar el depósito de combustible, tenga un especial cuidado de no derramar combustible sobre la ropa. La ropa empapada de gasolina puede incendiarse, así que cámbiese de inmediato.
- Una vez lleno el depósito del equipo, apriete el tapón y, antes de poner en marcha el motor, traslade la garrafa con el combustible a una distancia mínima de 3 m del punto de llenado.
- Antes de arrancar el motor, compruebe que no haya fugas en todo el sistema de combustible, especialmente en el depósito, los conductos de combustible, los conectores, el tapón de llenado y alrededor del carburador. No arranque el motor si detecta una fuga en el sistema de combustible, ya que existe peligro de incendio.
- No utilice el aparato en atmósferas explosivas creadas por líquidos, gases o polvos inflamables. El motor de combustión interna puede producir chispas que podrían encender el polvo o los vapores.
- No utilice el equipo si tiene problemas para apagarlo. Cualquier equipo que no se pueda apagar es peligroso y debe repararse.
- No almacene el equipo con el depósito de combustible lleno en interiores cerrados. Los vapores de la gasolina son inflamables y peligrosos para la salud.



#### **¡ATENCIÓN!**

- **Evite inhalar los vapores de la gasolina y los gases de escape. La gasolina, los vapores de la gasolina y los gases de escape pueden causar intoxicación.**
- **No utilice el cortacésped en lugares cerrados o mal ventilados. Deje de trabajar inmediatamente si experimenta dolores de cabeza, náuseas, problemas de audición o de**

**visión.****SEGURIDAD PERSONAL**

- Sea previsor, observe lo que hace y utilice el sentido común cuando trabaje con el equipo. No utilice el equipo si está cansado o bajo la influencia de productos estupefacientes, alcohol o medicamentos. Un momento de desatención durante el funcionamiento puede causar graves lesiones personales.
- Utilice equipo de protección. Utilice siempre gafas de seguridad. El uso de equipos de protección, como una máscara antipolvo, calzado antideslizante, casco o protectores auditivos en condiciones adecuadas, reduce los posibles daños personales.
- Retire todos los objetos y llaves antes de poner en marcha el equipo. Dejar la llave en la parte giratoria de la máquina puede causar daños personales.
- Mantenga la seguridad y el equilibrio en todo momento mientras maneja el equipo. Esto le facilitará el control en situaciones imprevisibles.
- Vístase adecuadamente. No lleve ropa suelta ni bisutería. Mantenga el pelo, la ropa y los guantes alejados de las piezas móviles. La ropa suelta, la bisutería o el pelo largo pueden quedar atrapados en las piezas móviles.
- Durante el trabajo, sujete la herramienta con los mangos extras si la herramienta dispone de ellos. Si pierde el control de la herramienta, existe el peligro de que se produzcan daños personales.
- No utilice el equipo si tiene problemas para apagarlo. Cualquier equipo que no se pueda apagar es peligroso y debe repararse.



**¡ATENCIÓN! A pesar del diseño seguro y del uso de medidas de seguridad y protección adicionales, siempre existe un riesgo residual de lesiones durante el funcionamiento.**

**USO Y CUIDADO DEL EQUIPO**

- No sobrecargue el equipo. Utilice la potencia adecuada para la realización del trabajo. Un equipo correctamente elegido le permitirá trabajar mejor y más seguro con la carga para la que fue diseñado.
- Mantenga el equipo fuera del alcance de los niños cuando no lo utilice. No permita que utilicen el equipo personas no familiarizadas con el equipo o con el presente manual. Los equipos y aparatos de combustión son peligrosos en manos de usuarios no formados.
- Realice el mantenimiento de los equipos de combustión. Compruebe si existe desalineación o atasco de las partes móviles, grietas en las piezas y cualquier otra cosa que pueda afectar al funcionamiento del equipo. Si se encuentran daños, el equipo debe ser reparado antes de su uso. La causa de numerosos accidentes es la reparación y/o el mantenimiento inadecuados de los equipos.
- Sustituya todas las piezas defectuosas y desgastadas o dañadas antes de utilizar el equipo. Sustituya las etiquetas de advertencia del equipo si se han vuelto ilegibles o están dañadas.
- Las etiquetas de advertencia y las piezas de recambio pueden pedirse al servicio técnico de MURRAY y a los distribuidores autorizados.
- Utilice la propulsión de combustión, el equipo, los útiles de trabajo, etc., de acuerdo con las presentes instrucciones, teniendo en cuenta las condiciones y el tipo de trabajo a realizar. Utilizar el aparato de una forma no prevista puede ser peligroso.

## MANEJO Y FUNCIONAMIENTO DE HERRAMIENTAS EQUIPADAS CON BATERÍA

- Antes de introducir las baterías en la herramienta, asegúrese de que el interruptor de encendido/apagado está en la posición "off". Introducir las baterías en la herramienta cuando el interruptor ON/OFF esté en la posición "ON" puede causar graves lesiones personales.
- Utilice únicamente el cargador recomendado por el fabricante. El uso de un cargador para otros tipos de baterías puede provocar un incendio.
- Nunca utilice pilas distintas a las recomendadas por el fabricante. El uso de otro tipo de baterías puede provocar lesiones graves o un incendio.
- Retire la batería si no se va a usar el equipo. Mantenga la batería alejada de objetos metálicos, como clips, monedas, clavos, tornillos, etc., que pudieran provocar un cortocircuito en los terminales de la batería. Un cortocircuito en los terminales de la batería puede provocar quemaduras o un incendio.
- En condiciones extremas, puede verse líquido de la batería. Asegúrese de evitar el contacto. Si se produjera un contacto accidental, lavar con agua inmediatamente. Si el líquido entra en contacto con los ojos, busque atención médica inmediata. El líquido que sale de la batería puede causar irritación o quemaduras.
- No utilice los cargadores ni los adaptadores de corriente en el exterior o en zonas con mucha humedad, como baños o sótanos.



**¡ATENCIÓN! Los cargadores de baterías y las fuentes de alimentación están diseñados para su uso en interiores y en entornos secos.**

**Peligro de descarga eléctrica y/o daños en el aparato.**

## REPARACIÓN

- Antes de realizar cualquier ajuste, sustitución de piezas o almacenamiento, retire el cable de la bujía. Estas medidas de precaución reducen el riesgo de un arranque accidental.
- Encargue las reparaciones a una persona cualificada que utilice únicamente piezas de recambio originales. Esto garantizará un funcionamiento seguro y continuado. Se recomienda que cualquier tarea de servicio sea realizada por un servicio autorizado por MURRAY.



**¡ATENCIÓN! Peligro de asfixia para los niños al jugar con el embalaje. Mantenga el envase, especialmente la bolsa de plástico, fuera del alcance de los niños.**

## NORMAS ESPECÍFICAS DE SEGURIDAD PARA CORTACÉSPEDES



### **Advertencia!**

- Cuidado con los bordes afilados de las cuchillas. Las cuchillas siguen girando una vez parado el motor.
- Utilice únicamente un cortacésped que esté en buenas condiciones de funcionamiento, si fuera preciso, realice los trabajos necesarios o póngase en contacto con el servicio técnico. Se recomienda acudir a un centro de servicio autorizado por MURRAY.
- Antes de cada puesta en marcha, compruebe que:
  - el equipo se haya montado de acuerdo con las instrucciones;

- la herramienta de corte y la unidad de corte completa (cuchilla de corte, accesorios, carcasa de la unidad de corte) estén en buen estado de funcionamiento; compruebe regularmente el nivel de desgaste, posibles daños y roturas (mellas o grietas);
- los dispositivos de seguridad (p. ej., cubierta frente a expulsiones, carcasa, mango de la dirección, palanca del freno motor) estén en buen estado y funcionen correctamente;
- la cesta para la hierba no esté dañada y esté bien colocada; la cesta no debe utilizarse si está dañada.
- No encienda el cortacésped si la cuchilla no está bien colocada. ¡Peligro de vibraciones peligrosas!
- Mantenga las herramientas de corte afiladas y limpias. Mantener las herramientas de corte bien afiladas reduce la probabilidad de que se atasquen y facilita su manejo.
- Antes de proceder a los ajustes, la limpieza y el mantenimiento, apague la máquina y retire el cable de alta tensión de la bujía,
- No corte el césped cuando haya otras personas, especialmente niños o animales, en las cercanías.
- No utilice un cortacésped dañado.
- No toque las cuchillas hasta que el equipo esté apagado y las cuchillas se hayan detenido por completo.
- No levante ni transporte el equipo con el motor en marcha.
- Apague el cortacésped y retire el cable de alta tensión de la bujía:
  - siempre que deje el equipo desatendido,
  - antes de ajustar el mecanismo de bloqueo,
  - antes de comprobar, limpiar o reparar el equipo,
  - tras ser golpeado por un objeto extraño,
  - antes de limpiar la salida,
  - si se producen vibraciones excesivas.

## PREPARACIÓN

- Cuando corte la hierba lleve siempre calzado resistente y pantalones largos, no maneje la máquina sin calzado o con sandalias.
- Compruebe cuidadosamente la zona en la que va a funcionar la máquina y retire todas las piedras, ramas, cables, huesos y otros objetos extraños.
- Los obstáculos (por ejemplo, tocones, raíces) pueden no ser visibles en la hierba alta, así que marque cualquier obstáculo oculto en la hierba que no pueda ser eliminado antes de utilizar el equipo.
- Compruebe siempre si las cuchillas, los pernos y el conjunto de cuchillas están desgastados o dañados antes de utilizarlos. Sustituya las cuchillas y los pernos desgastados o dañados por parejas para mantener el equilibrio.
- Tenga cuidado con los equipos de varias cuchillas, ya que la rotación de una de ellas puede provocar la rotación de las demás.

## AFILADO DE LAS CUCHILLAS

- Para obtener un rendimiento óptimo del cortacésped, la cuchilla de la máquina debería estar afilada. Esta operación aparentemente sencilla debe realizarse con un especial cuidado. Requiere un alto nivel de conocimientos técnicos y el equipo adecuado. El fabricante no se hace responsable de los daños que pueda sufrir el cortacésped debido a un afilado incorrecto de las

cuchillas. El ángulo recomendado es de 30°.

- Lo más seguro es mandar afilar la cuchilla a un servicio técnico autorizado MURRAY.
- Antes de proceder al afilado, apague el cortacésped, deje que el motor se enfríe, retire el cable de alta tensión de la bujía, retire la batería si fuese necesario y afloje la cuchilla.
- La cuchilla puede afilarse manualmente, con una piedra de afilar o una lima metálica adecuada, preferiblemente con un afilador profesional, teniendo en cuenta en todo momento que la cuchilla puede sobrecalentarse, quedando inservible para el trabajo. Se recomienda utilizar en todo momento líquido refrigerante para metales, o agua, teniendo en cuenta que no todas las máquinas de afilar pueden funcionar con una corriente refrigerante. La coloración azul de la superficie de la hoja indica que la cuchilla está dañada y que no debe seguir utilizándose.
- Es esencial equilibrar la cuchilla después de cada afilado. Si el usuario no dispone de una máquina de equilibrado y de los conocimientos necesarios, deberá enviar la cuchilla a un servicio especializado para su equilibrado. Trabajar con una cuchilla desequilibrada provoca vibraciones excesivas y puede provocar el aflojamiento de las uniones roscadas de todo el aparato, incluyendo el tornillo de fijación de la cuchilla, lo que puede ser peligroso para la salud y la vida del usuario.

### MANEJO DE EQUIPO

- Corte la hierba únicamente a la luz del día o con una buena iluminación artificial.
- No corte la hierba bajo la lluvia, especialmente durante una tormenta. Evite cortar la hierba húmeda.
- Asegúrate siempre de que tus pies se mantienen firmes en una pendiente.
- Camine, nunca corra. Recuerde mantener una posición segura y protegida.
- Con los cortacéspedes rotativos, corte la hierba a lo largo de la pendiente, nunca hacia arriba o hacia abajo.
- Tenga mucho cuidado al cambiar de dirección en una pendiente.
- No corte la hierba en pendientes excesivamente inclinadas.
- Preste una especial atención al dar marcha atrás o al tirar de la unidad hacia usted.
- Apague el equipo si se va a inclinar o cuando se mueva en superficies que no sean de césped y cuando se transporte hacia y desde la zona de corte.
- Enfríe el motor, vacíe el combustible y el aceite antes de transportar el cortacésped.
- No utilice el equipo con las protecciones o carcasas dañadas o sin elementos de seguridad como las protecciones cerradas y/o los contenedores para la hierba.
- Arranque el motor conforme a las instrucciones, asegurándose de que sus pies queden lejos de las cuchillas.
- No arranque el cortacésped cuando esté inclinado, a menos que sea necesario arrancar en hierba alta. En este caso, levante la parte delantera del aparato presionando hacia abajo el mango, pero únicamente lo necesario, y luego baje lentamente el cortacésped hasta el suelo. Asegúrese de agarrarse firmemente con las dos manos en el mango durante toda la operación.



**¡Atención!** Los motores B&S no deben funcionar con una inclinación de más de 15°.

- No acerque las manos o los pies a las partes giratorias. En caso de segadoras rotativas, asegúrese en todo momento de que la abertura de descarga no esté obstruida.
- No tire de la palanca de arranque del cortacésped autopropulsado cuando lo ponga en marcha.

## MANTENIMIENTO Y ALMACENAMIENTO



### Advertencia!

- Antes de realizar cualquier trabajo de reparación o mantenimiento, asegúrese de haber retirado el cable de alta tensión de la bujía del cortacésped y de que no haya niños o transeúntes cerca.
- Recuerde que puede haber combustible en el depósito de la máquina. Las normas de seguridad para la manipulación del combustible se describen en el presente manual en la sección: "Manipulación segura del combustible".
- Mantenga todas las tuercas, pernos y tornillos en buen estado para asegurarse de que la máquina funcione con seguridad. Compruebe frecuentemente si el recipiente de recogida de hierba está estropeado o dañado.



Asegúrese de utilizar el tipo correcto de cuchillas.

Limpie el cortacésped después de cada uso. El depósito de combustible debe estar vacío. Coloque el cortacésped sobre su empuñadura (con la bujía hacia arriba). Limpie con un cepillo la parte interior de la carcasa del cortacésped para eliminar los restos de hierba y polvo y, si fuese necesario, proteja las partes metálicas con un producto anticorrosivo. Puede limpiar todo el cortacésped con un paño húmedo y, en cualquier caso, protegerlo con una capa de protector para pintura.

Almacene el cortacésped en una habitación bien ventilada y en un lugar seco y sin polvo. Asegúrese de que la cesta de recogida de hierba quede vacía y correctamente limpia. La hierba podrida puede dañar la cesta de recogida de hierba.

Almacene únicamente un cortacésped sin averías, si fuese necesario, repare cualquier defecto antes de guardarlo.

Si el cortacésped está equipado con una batería, hay que tener en cuenta que las condiciones óptimas de almacenamiento de la batería son una temperatura de 10 a 21°C, baja humedad y la batería cargada al 50%.

### EN CASO DE ACCIDENTE O AVERÍA

En caso de accidente, detenga/apague la máquina inmediatamente y pida ayuda (si la situación lo requiere).

En caso de avería, detenga/apague la máquina y póngase en contacto con un servicio técnico autorizado para eliminar la avería.

### SEGURIDAD Y RESPONSABILIDAD DEL FABRICANTE

Cualquier uso del cortacésped que no se ajuste a lo descrito en el presente manual se considera inadecuado y el fabricante no se hace responsable de los daños y perjuicios derivados de dicha conducta.

El uso correcto del cortacésped también incluye el cumplimiento de las condiciones de funcionamiento, mantenimiento, almacenamiento y reparación establecidas por el fabricante.

Para evitar accidentes, deben respetarse todas las normas de uso seguro y de prevención de riesgos. Cualquier cambio introducido en la máquina por el usuario puede afectar a la seguridad de la misma y exime al fabricante de la responsabilidad por cualquier daño o lesión resultante.



## **RIESGO RESIDUAL**

Aunque el fabricante es responsable del diseño del aparato para eliminar los peligros, son inevitables ciertos riesgos durante el funcionamiento. El riesgo residual deriva de un comportamiento erróneo del operador.

El mayor peligro aparece al realizar las siguientes actividades prohibidas:

- uso del dispositivo por parte de los niños,
- uso del aparato para fines distintos a los descritos en las instrucciones de uso,
- permanencia de otras personas, especialmente niños o animales, en las proximidades,
- uso del aparato por parte de personas no familiarizadas con el presente manual,
- uso del aparato sin la ropa y el calzado de protección adecuados,
- uso del aparato con las cubiertas o carcasas dañadas y sin dispositivos de seguridad debidamente instalados.

Los riesgos residuales pueden eliminarse observando las instrucciones del manual de instrucciones. Existe un riesgo si no se siguen las recomendaciones anteriores.

## **APLICACIONES**

El equipo está destinado exclusivamente a cortar el césped de acuerdo con la descripción y las instrucciones de seguridad del presente manual. Cualquier otro uso puede ser peligroso para los usuarios y puede causar daños en el equipo.

La máquina no debe utilizarse, entre otras cosas, para:

- recoger hojas o limpiar la zona de plantas secas,
- nivelar toperas,
- recorte de arbustos,
- triturar ramas.

## **PREPARACIÓN PARA EL TRABAJO**

El fabricante suministra el cortacésped parcialmente desmontado en una caja de cartón. Tras leer detenidamente el manual de usuario y los planos de montaje, el montaje del cortacésped no debería suponer ninguna dificultad. Todos los componentes necesarios para el montaje están incluidos en el embalaje. Estas instrucciones de uso se aplican a diferentes modelos de cortacésped. El cortacésped en cuestión puede ser distinto al que ha adquirido. Lea las secciones que se aplican al modelo adquirido.

## **ESTRUCTURA DEL CORTACÉSPED DE COMBUSTIÓN**

Los dibujos ilustrativos se encuentran en la página 3, Fig. 1-2

- 1 Empuñadura
- 2 Palanca de freno del motor
- 3 Palanca de accionamiento con cable
- 4 Palanca de apriete
- 5 Mango de arranque con cable
- 6 Punto de fijación del cable de arranque
- 7 Cesta
- 8 Rueda trasera

- 9 Tuerca de conexión de la empuñadura con la carcasa
- 10 Conector del sistema de lavado con agua
- 11 Rueda delantera
- 12 Tapa del filtro de aire
- 13 Motor
- 14 Tapón de vertido de combustible
- 15 Tapón de vertido de aceite
- 16 Silenciador
- 17 Pipa de bujía
- 18 Trampilla de expulsión lateral
- 19 Cubierta de expulsión lateral
- 20 Indicador de llenado de la cesta
- 21 Ajuste del cable
- 22 Cubierta de la cesta de expulsión de hierba
- 23 Palanca de ajuste de la altura de corte

## MONTAJE

La empuñadura del cortacésped ha sido ajustada de fábrica en la posición de almacenamiento.

- Coloque la empuñadura inferior en la posición de uso asegurándose de que la empuñadura se encuentre entre los topes y apriétela con la tuerca de mariposa (Fig. 3).
- Coloque la empuñadura superior en la posición de uso y bloquéela con la palanca de apriete. Al girar la tuerca se modifica la longitud del tornillo de apriete de la palanca de apriete, de esta forma aumenta o disminuye la fuerza de fijación. La fijación se produce cuando la pinza presiona la empuñadura en la dirección indicada por la flecha en la Fig. 4.



**¡Atención! Si el tornillo se acorta demasiado con la tuerca, puede hacer imposible la sujeción de las palancas de sujeción y, en consecuencia, provocar daños en las mismas.**



**¡Atención! Al desplegar y plegar la empuñadura, asegúrese de que el cable del freno del motor no se rompa ni se doble. Un cable doblado o dañado puede impedir un uso adecuado del cortacésped.**

- Coloque el mango del cable de arranque 5 (Fig. 2) en el punto de fijación 6 (Fig. 2).



**¡Atención! El cable de arranque se desliza con resistencia. Tire de la palanca de freno del motor hacia usted y lentamente del cable hasta alcanzar la longitud necesaria. Tenga en cuenta que si tira enérgicamente del cable de arranque puede poner en marcha el cortacésped.**

## LLENADO DEL MOTOR DE ACEITE

El motor no viene relleno de aceite de fábrica. El motor puede contener restos de aceite de la inspección técnica de fábrica. Antes de la primera puesta en marcha, vierta aproximadamente 0,6L del aceite de motor recomendado B&S SAE30 (Fig. 6A) y compruebe el nivel de aceite en la varilla integrada en el tapón de llenado de aceite (Fig. 6B).

El nivel de aceite debe encontrarse entre las marcas min. / máx.  
Recomendamos el aceite original para cortacéspedes B&S SAE30

El primer cambio de aceite debe realizarse tras 5 horas de funcionamiento del cortacésped, tras haber quemado unos dos depósitos de combustible. Los siguientes cambios de aceite deben realizarse cada 25 horas de trabajo, al menos una vez al año.

Vacíe el aceite usado con el motor aún caliente.

Compruebe regularmente el nivel de aceite antes de cada puesta en marcha del cortacésped.

Si fuese necesario, rellene el aceite.



**¡Atención! El aceite usado no debe eliminarse de forma accidental, ni verterse por el desagüe o directamente en el medio ambiente. Llévelo a un punto de eliminación de aceite.**

## REPOSTAJE DE COMBUSTIBLE

- Antes de comenzar a utilizar el equipo, lea detenidamente las instrucciones de seguridad, uso, funcionamiento y almacenamiento contenidas en el presente Manual de Instrucciones.
- El combustible debe llenarse al aire libre en un lugar donde no haya peligro de chispas o llamas.
- Almacene la gasolina únicamente en recipientes adecuados (garrafas) que cuenten con la certificación adecuada. Compruebe el estado de los recipientes de combustible de forma regular.
- Mantenga los depósitos de combustible bien cerrados. Por motivos de seguridad sustituya los tapones del depósito dañados.
- No utilice botellas de bebidas o similares para almacenar suministros, por ejemplo, combustible o aceite, ya que otras personas, especialmente los niños, podrían beberlas.
- Llene el depósito de combustible únicamente al aire libre; no fume mientras repostaja.
- Rellene el depósito de gasolina antes de poner en marcha el motor de combustión.
- No afloje el tapón del depósito de combustible ni añada combustible mientras el motor de combustión interna esté en marcha o si el motor está caliente.
- ¡No rellene en exceso el depósito de combustible! Debido a la expansión térmica del combustible, no rellene el depósito por encima del borde inferior del cuello de llenado.
- No almacene el aparato dentro de una habitación con el depósito de combustible lleno. Los vapores de gasolina que se forman pueden entrar en contacto con un fuego abierto e inflamarse. Si fuese necesario vaciar el depósito de combustible, hágalo al aire libre. Antes de poner en marcha la máquina, asegúrese de que no haya derrames de combustible en la máquina o cerca de ella. Si fuese necesario, limpie el combustible.



**¡Atención!** Los vapores de la gasolina son inflamables. Antes de poner en marcha el cortacésped, asegúrese de que la máquina se encuentre al menos a 3 m de distancia de los depósitos de combustible.

## MANEJO

### DE LA PALANCA DE FRENO

Antes de arrancar el motor, tire de la palanca de freno 2 (Fig. 1) hacia la empuñadura 1 (Fig. 1), tal como se muestra en la Fig. 8A.

Al soltar la palanca de freno se detiene el motor y la cuchilla de corte.

### ARRANQUE DEL MOTOR



**¡Advertencia!** Cuando el motor esté en marcha, las cuchillas de corte giran.

1. Compruebe el nivel de aceite (Fig. 6B).

2. Rellene el depósito de combustible con gasolina limpia sin plomo (Fig. 5). Asegúrese de que el cable de la bujía está conectado a la bujía (Fig. 7A, B).
3. Colóquese detrás del cortacésped. Con una mano, sujete la palanca de freno 2 (Fig. 1) en la posición de trabajo, como se muestra en la Fig. 8A.
4. Con la otra mano, sujete el mango del cable de arranque 5 (Fig. 2) como se muestra en la Fig. 8C.
5. Tire ligeramente el cable hacia usted para eliminar la holgura y cuando sienta resistencia tire del cable con firmeza y vigor y deje que vuelva lentamente a su sitio.
6. No suelte el mango del cable hasta que pase por el sistema de retorno del motor de arranque.
7. Si el motor no arranca después de 5-6 tirones, siga las instrucciones de la sección "Inspección y diagnóstico de problemas".

### TRABAJO CON EL PROPULSOR

Para arrancar el propulsor, tire de la empuñadura 1 (Fig. 1) de la palanca del propulsor 3 (Fig. 1), tal como se muestra en la Fig. 8B.

El propulsor puede desconectarse en cualquier momento soltando la palanca y la máquina puede funcionar como un cortacésped sin propulsión.

### AJUSTE DE LA ALTURA DE CORTE



**¡Atención!** Detenga el motor y desconecte el cable de la bujía antes de cambiar la altura de corte.

Para ajustar la altura de corte deseada, cambie la posición de la palanca de ajuste 23 (Fig. 2) que se encuentra en la carcasa del cortacésped (Fig. 9). Es posible elegir entre 6 alturas de corte diferentes en un rango de 25 a 75 mm.

### MONTAJE DE LA CESTA PARA LA HIERBA

1. Levante la cubierta de la cesta del cortacésped 22 (Fig. 2).
2. Coloque la cesta 7 (Fig. 1) poniendo los ganchos de la entrada de la cesta en la varilla designada en la protección de salida del cortacésped (Fig. 10), a continuación, baje la protección.
3. Asegúrese de que los ganchos estén bien sujetos.



**¡Advertencia!** Compruebe frecuentemente el estado de la cesta para la hierba. Si alguna de las piezas está desgastada o dañada, sustitúyala por unas nuevas disponibles en los servicios técnicos autorizados.

### VACIADO DE LA CESTA PARA LA HIERBA

**¡Advertencia!** Detenga el motor antes de vaciar y retirar la cesta.

El indicador de llenado 20 (Fig. 2) permite evaluar rápidamente el grado de llenado de la cesta. Si la placa indicadora está elevada al cortar la hierba (Fig. 11A), significa que la cesta aún no está llena. Si la placa indicadora está en posición horizontal al cortar la hierba (Fig. 11B), significa que la cesta está llena y debe vaciarse.

### LIMPIEZA DE LA CARCASA DEL CONJUNTO DE CORTE



**¡Advertencia!** Cuando el motor esté en marcha, las cuchillas de corte giran.

1. Limpie bien toda la unidad después de usarla.
2. Detenga el motor y desconecte el cable de la bujía antes de limpiar la carcasa.

3. Vacíe el depósito de combustible antes de limpiarlo.
4. Sin inclinar el cortacésped, colóquelo de lado en el suelo con la empuñadura de forma que las ruedas delanteras queden en el aire.
5. Limpie la parte inferior del cortacésped con un cepillo y agua.

No utilice limpiadores de alta presión, ya que el agua a alta presión podría dañar la protección de la pintura de la carcasa. No utilice productos de limpieza y lavado intensivos, por ejemplo, detergentes agresivos, ya que podrían dañar los plásticos y los metales y pueden empeorar la seguridad de la máquina.

La segunda forma de lavar la carcasa es utilizar el sistema de lavado de la carcasa.

Tras colocar una manguera en el conector rápido especial, pre-instalado en la carcasa del cortacésped y abrir el agua, ponga en marcha el cortacésped. El aparato se limpia mientras gira la cuchilla, sobre la que cae un fuerte chorro de agua que aclara los restos de hierba depositados. (Fig. 12)

### **MONTAJE DE LA CUBIERTA DE EXPULSIÓN LATERAL**

Para montar la cubierta de expulsión lateral:

1. abra la trampilla de expulsión lateral 18 (Fig. 2) (para desbloquear la trampilla, gire primero la protección del eje (Fig. 14A, B)),
2. deslice la trampilla de expulsión lateral 19 (Fig. 2) tal y como se muestra en la Fig. 14C,
3. apoye la trampilla de expulsión lateral sobre la cubierta (Fig. 14D).

### **FUNCIÓN DE TRITURACIÓN**

La preparación de mantillo consiste en la trituración de los recortes de hierba. El sistema de preparación de mantillo permite dejar la hierba total o parcialmente en el suelo, donde se descompone y aporta nutrientes.

El césped cumple las condiciones para ser triturado cuando la hierba no mide más de 4 cm. El césped que se va a triturar debe cortarse con regularidad y bastante a menudo, incluso cada pocos días. Al preparar el mantillo solo pueden dejarse en el césped las briznas jóvenes y finas sin dañar, ya que se descomponen y no se pudren.

Para poner en marcha la función de trituración, retire la cesta para la hierba y la trampilla de expulsión lateral (si la tuviera), coloque el accesorio/tapa de trituración de hierba (Fig. 13) en la salida trasera y cierre la cubierta de expulsión de hierba en la cesta de hierba.



**Para que la preparación de mantillo sea totalmente eficaz, es necesario adquirir una cuchilla de trituración.**

### **FUNCIÓN DE EXPULSIÓN LATERAL**

Aby pracować z użyciem wyrzutu bocznego należy:

1. retire la cesta para la hierba 7 (Fig. 1) (si está montada), introduzca la tapa para preparación de mantillo en la salida trasera (Fig. 13) y cierre la trampilla de expulsión de hierba hacia la cesta 22 (Fig. 2),
2. levante la trampilla de expulsión lateral y utilice los ganchos para montar la trampilla de expulsión lateral.

Atención: puede ser necesario hacer mucha fuerza para levantar la trampilla de expulsión lateral o puede ser necesario abrir un mecanismo de bloqueo especial para evitar que se abra por sí sola (si está disponible en su modelo) (Fig. 14A-C),

3. apoye la trampilla de expulsión lateral sobre la cubierta (Fig. 14D).

## **MANTENIMIENTO**

### **MANTENIMIENTO DE LA CUCHILLA DE CORTE**



#### **Atención:**

Desconecte el cable de la bujía antes de comprobar la cuchilla de corte o el eje de montaje de la cuchilla. Si la cuchilla golpea algún objeto, detenga el motor, desconecte el cable de la bujía y compruebe el cortacésped en busca de posibles daños. Compruebe que el cigüeñal de la toma de fuerza o el adaptador al que se acopla la cuchilla no están dañados (doblados o agrietados).

El adaptador de la cuchilla no ofrece protección contra daños en el motor cuando la cuchilla golpea objetos distintos de la hierba, por ejemplo, piedras, ramas, toperas.

Compruebe con frecuencia las cuchillas para ver si están dobladas, si tienen un desgaste excesivo o si presentan otros daños, como grietas o deformaciones.

Las piezas dañadas deben ser sustituidas por otras nuevas recomendadas por el fabricante. Por razones de seguridad, sustituya las cuchillas cada dos años. Las cuchillas deben estar bien afiladas (para más detalles ver sección "Afilado de las cuchillas"). Las cuchillas sin filo desgarran la hierba haciendo que las puntas amarilleen.



**¡Atención! Es fundamental equilibrar la cuchilla después de cada afilado. Una cuchilla desequilibrada puede provocar vibraciones peligrosas que pueden dañar el cortacésped y/o causar un accidente.**

**Compruebe frecuentemente el perno de fijación de la cuchilla. El tornillo debe apretarse con un par de 45 a 55 Nm.**

### **DESMONTAJE DE LA CUCHILLA (Fig. 15A)**

- 1 Adaptador
- 2 Cuchilla
- 3 Arandela
- 4 Tornillo



**Atención! La cuchilla de corte 2 (Fig. 15A) puede estar muy afilada, por lo que debe llevar guantes para protegerse las manos.**

1. Vacíe depósito de combustible.
2. Utilice un taco de madera para evitar que la cuchilla gire.
3. Afloje el tornillo de montaje de la cuchilla.
4. Compruebe el estado de la cuchilla de corte (ver sección "Mantenimiento de la cuchilla de corte").
5. Sustituya la cuchilla desgastada o dañada por una nueva recomendada por el fabricante.
6. Apriete el tornillo con un par de 45 a 55 Nm. Un tornillo mal apretado puede hacer que la cuchilla se suelte, lo que puede provocar un accidente.



**¡Atención! Al colocar la cuchilla tenga en cuenta la dirección de trabajo. Si la cuchilla está mal colocada, al revés, no cortará de forma adecuada y podría provocar un accidente.**

### PRINCIPALES PARÁMETROS DE LA CUCHILLA (Fig. 15B)

A - longitud (560 mm), pueden utilizarse cuchillas más cortas, pero la anchura de corte efectiva será menor,

B - anchura - 57 mm,

C - diámetro del orificio de fijación (11 mm),

D - distancia del centro del agujero (27,5 mm),

El diámetro de los orificios circulares de 11x11 mm de las cuñas de seguridad es estándar, es decir, de 15,5 mm.

Se recomienda utilizar cuchillas de corte MURRAY dedicadas para un determinado modelo de cortacésped.



**¡Atención! La forma de la cuchilla indica sus características, dependiendo de la forma la cuchilla es más adecuada para: cortar hierba con cesta, cortar hierba con descarga lateral o preparación de mantillo. Es posible que la cuchilla multiusos instalada de fábrica no sea todo lo eficaz que se desea, por lo que se aconseja comprar cuchillas adicionales para cada función, es decir, una para triturar y otra para echar la hierba en la cesta.**

### MANTENIMIENTO DE LA BUJÍA

La bujía (Fig. 16A) debe sustituirse al principio de cada temporada o tras 100 horas de funcionamiento.

Utilice bujías originales B&S B&S QC12YC / B&S 797429. La separación recomendada entre electrodos es de 0,51 mm (Fig. 16B). Compruebe la separación con un calibrador de separación.

### CAMBIO DE ACEITE

El primer cambio de aceite debe realizarse tras 4 - 5 horas de funcionamiento del motor. Los posteriores cambios de aceite deben realizarse, a más tardar, cada 25 horas de funcionamiento. El tapón de vaciado del aceite puede localizarse en el bloque del motor, aunque depende del modelo de motor. Si el motor no cuenta con tapón de vaciado de aceite en el bloque del motor, el aceite se vacía a través del tapón de llenado, una vez vaciado el tanque de combustible:

- Desenrosque el tapón de llenado de aceite con la varilla de medición.
- Retire el filtro de aire para evitar que absorba gasolina cuando incline el cortacésped.
- Incline el cortacésped hacia el lado del tapón de llenado de aceite 15 (Fig. 1).
- Deje el cortacésped en esta posición hasta que el aceite deje de fluir (esto puede tardar varios minutos).

Una vez que el motor se haya vaciado de aceite, coloque el cortacésped en una posición plana y vierta aproximadamente 0,6L de aceite de motor recomendado B&S tipo SAE30, comprobando el nivel con la varilla integrada en el tapón de llenado de aceite. Atornille el tapón de aceite con la varilla de medición y monte el filtro de aire.

### CAMBIO DEL FILTRO DE AIRE (Fig. 18A, B)

Compruebe el estado del filtro de aire cada 25 horas de funcionamiento. Es obligatorio cambiar el filtro cada 100 horas de funcionamiento o antes si estuviera sucio.

Afloje el elemento A que sujeta la tapa del filtro de aire B (Fig. 18B).

1. Abra la tapa B (Fig. 18B).
2. Saque el pre-filtro C y el filtro de aire D (Fig. 18B).

3. Si el filtro está estropeado:
  - golpee suavemente el inserto del filtro de aire D (Fig. 18B) sobre una superficie dura para eliminar la suciedad,
  - lave el elemento de esponja del filtro C con agua y detergente,
  - seque el elemento de esponja con un paño limpio,
  - no empape el elemento de esponja del filtro con aceite de motor.
4. Si el filtro está estropeado o dañado, sustitúyalo por uno nuevo.
5. Vuelva a montar todos los elementos del filtro de aire, coloque y apriete la tapa del filtro de aire.

### AJUSTE DE LOS CABLES

Durante el uso del cortacésped los cables pueden estirarse y encogerse. En este caso, deben revisarse y ajustarse adecuadamente (si es posible hacerlo en su modelo). Para ello, afloje la tuerca pequeña de fijación 1 (Fig. 19) y, a continuación, según sea necesario:

1. gire la tuerca de ajuste 2 (Fig. 19) en sentido contrario a las agujas del reloj: el cable se acorta,
2. gire la tuerca de ajuste 2 (Fig. 19) en sentido de las agujas del reloj: el cable se alarga.

### LUBRICACIÓN

Para lubricar el engranaje de la rueda motriz trasera 8 (Fig. 1):

1. Retire el tapacubos de la rueda motriz trasera girándolo hacia la izquierda (en sentido contrario a las agujas del reloj).
2. Afloje la tuerca de la rueda motriz con una llave de 13 mm.
3. Retire la rueda motriz del eje.
4. Desmonte el anillo Seger 24 (Fig. 20) y, a continuación, deslice la rueda dentada motriz 25 (Fig. 20) para sacarla del eje del engranaje 27 (Fig. 21).
5. Limpie el engranaje, el soporte de la transmisión 26 (Fig. 21) y el eje del engranaje de cualquier residuo de grasa y engrase ligeramente los componentes mencionados. Para esta operación se recomienda grasa para engranajes cónicos MURRAY.



**¡ATENCIÓN! Lubrique la rueda dentada por el lado interior 25 (Fig. 21). No lubrique el piñón exterior del engranaje ni la rueda motriz.**

6. Monte el mecanismo de accionamiento del cortacésped en orden inverso.

### TRANSPORTE

#### PREPARACIÓN PARA EL TRANSPORTE

- Antes de transportar el cortacésped, retire el aceite y, a continuación: enfríe el motor, retire el combustible del depósito, del carburador y de los conductos de combustible.
- El equipo solo puede transportarse en posición de funcionamiento, es decir, con un ángulo máximo de 15 grados respecto a la horizontal.
- Se permite doblar la empuñadura.



**¡Atención! Tenga cuidado al plegar o desplegar la empuñadura, ya que podría dañar los cables. Los cables dañados pueden provocar un mal funcionamiento del cortacésped y, en algunos casos, reducir la seguridad de la máquina.**



## **INSPECCIONES Y DIAGNÓSTICO DE PROBLEMAS**

### **INSPECCIONES**

Inspecciones		Antes de cada uso	Tras 5 horas de trabajo	Cada 25 horas de funcionamiento o una vez por temporada	Antes del almacenamiento	Después de 100 horas de trabajo	Después de cada uso
Aceite motor	comprobar	x					
	cambiar		x (solo 1 cambio)	x			
Filtro de aire	comprobar	x					
	limpiar		x				
	cambiar			x			
Bujía	comprobar			x			
	cambiar					x	
Cuchilla de corte	comprobar	x					
	afilarse			x			
Ajuste del cable	comprobar		x				
Adaptador	comprobar	x					
Protecciones del propulsor	comprobar		x				
Correa de transmisión	cambiar			x (antes de cada temporada)			
Conexiones roscadas	comprobar	x			x		
Combustible	comprobar	x					
	vaciar				x		
Parte inferior del cortacésped	limpiar		x				x
	observar				x		
Lubricación	realizar			x	x		
Válvulas	comprobar / regular			x			

**Una inspección anual de pago realizada por el servicio técnico después o antes de la temporada ayudará a evitar problemas durante la misma.**

### **SOLUCIÓN DE PROBLEMAS**

Problema	Posible causa	Resolución del problema
La máquina no se enciende.	No hay combustible.	Compruebe el nivel de combustible y añada combustible si fuese necesario.
	Bujía inundada o dañada.	Compruebe, limpie o sustituya la bujía.
	Sistema de encendido interrumpido o filtro de combustible sucio.	Se recomienda llevar a reparar el cortacésped a un servicio técnico autorizado.

Problema	Posible causa	Resolución del problema
El motor no funciona con suavidad.	Filtro de aire sucio.	Sustituya o limpie el filtro
	Combustible de mala calidad.	Elimine el combustible y rellene el cortacésped con combustible de calidad.
	Tubo de combustible obstruido, sin combustible o con combustible antiguo.	Limpie el tubo de combustible, compruebe la alimentación de combustible, añada combustible nuevo.
	Agua, aceite o suciedad en el sistema de combustible.	Drene el carburador con el tornillo del sumidero de combustible y rellénelo con mezcla nueva.
	Cebe el carburador con aceite inclinando el cortacésped hacia su lado.	Limpie el carburador de aceite.
El motor se apaga.	Cable de freno mal ajustado.	Ajústelo de forma adecuada.
	Filtro de aire sucio.	Sustituya el filtro.
El motor echa humo.	Silenciador inundado de aceite tras inclinar el cortacésped hacia el lado.	Rellene el aceite y haga funcionar el cortacésped durante 15 minutos, el aceite se quemará solo.
Vibración excesiva.	Adaptador de la cuchilla estropeado.	Sustitúyalo.
	Eje del motor torcido (tras un impacto).	Detenga el motor inmediatamente y retire la pipa de la bujía. Apriete todos los tornillos y realice todas las reparaciones pertinentes. Si la vibración persiste, llévalo a reparar a un servicio técnico autorizado.
	Componentes de fijación sueltos.	
El cortacésped no echa la hierba en la cesta.	Hierba demasiado alta.	Cortar la hierba en dos veces.
	Hierba mojada.	No corte el césped.
	Cuchilla de corte invertida o desgastada.	Monte correctamente o sustituya la cuchilla de corte.
	Chasis del cortacésped sucio.	Limpie el chasis del cortacésped.
	Cesta sucia o llena.	Vacíe y limpie la cesta.
	Velocidad del motor demasiado baja.	Mande a ajustar la velocidad a un servicio técnico autorizado.
No funciona el propulsor de la rueda (versión con propulsor).	Correa de transmisión desgastada o dañada.	Cortar la hierba en dos veces.
	Hierba cortada atascada.	Limpie el mecanismo de transmisión.
	Cable del propulsor mal ajustado.	Ajuste el cable del propulsor.
	Mecanismo de protección de la transmisión desgastado.	Sustituya la rueda dentada.

### **GARANTÍA Y SERVICIO TÉCNICO**

El producto adquirido está destinado únicamente a un uso recreativo (hobby). Si el equipo se utiliza para otros fines (comerciales, profesionales), se anulará la responsabilidad del garante sobre el equipo adquirido. Para más información sobre la garantía y la red de servicio MURRAY, consulte la tarjeta de garantía incluida.

**DECLARACIÓN DE CONFORMIDAD****DECLARACIÓN DE CONFORMIDAD CE**

Fabricante:

nombre: NAC Sp. z o.o.  
dirección: Al. Krakowska 39, 05-090 Raszyn, Polonia

declaramos con toda responsabilidad, que la máquina:

nombre: Cortacésped de gasolina  
modelo: EQ2-700X  
número de serie: 033 22 2490745490 9000 000001 – 033 25 2490745490 9000 999999

los requisitos esenciales:

- directiva de máquinas MD 2006/42/CE,
- directiva sobre compatibilidad EMC 2014/30/UE,
- directiva sobre ruido NEE 2000/14/EC anexo VI y 2005/88/EC,

cumple los requisitos de las siguientes normas armonizadas:

- EN ISO 5395-1:2013+A1,
- EN ISO 5395-2:2013+A1+A2,
- AfPS GS 2014:01 PAK,
- EN ISO 14982:2009,
- EN ISO 3744:1995,
- ISO 11094:1991

y cumple los requisitos de las normas:

- 2016/1628/EU.

2000/14/CE: procedimiento de evaluación de la conformidad utilizado según el anexo VI

- nivel máximo de potencia sonora medida: LWA es de 94 dB(A),
- nivel de potencia sonora garantizado: LWA es de 98 dB(A),

Los procedimientos de evaluación de la conformidad según NEE 2000/14/CE se han llevado a cabo con la participación de un organismo notificado:

nombre: TÜV Rheinland LGA Products GmbH  
dirección: Tillystrasse 2, 90431 Nürnberg, Germany  
número de identificación: 0197

Lugar de presentación y almacenamiento de la documentación técnica:

NAC Sp. z o.o.  
Al. Krakowska 39,  
05-090 Raszyn

Jarosław Malinowski

Director de tecnología y certificación

Raszyn, 30 de noviembre de 2021

# GARANTÍA

*¡Estimados Señores!*

*Gracias por adquirir nuestro producto y felicidades por haber tomado la decisión correcta. El aparato que ha adquirido ha sido diseñado y fabricado con la tecnología más avanzada y representa unos estándares de calidad y fiabilidad de primer nivel, además de ser respetuoso con el medio ambiente.*

*Le recordamos su obligación de leer detenidamente los procedimientos de puesta en marcha y funcionamiento antes de utilizar el aparato; dichos procedimientos se muestran en las instrucciones de uso suministradas con el aparato.*

*Nuestra red de servicios técnicos especializados está a su disposición para el asesoramiento técnico y operativo.*

*Puede encontrar una lista de centros de servicio técnicos autorizados y consejos de servicio en:*  
**[www.murray.com](http://www.murray.com)**

## **CONDICIONES DE GARANTÍA**

En Polonia, el garante es NAC Sp. z o.o.

1. NAC garantiza el correcto funcionamiento del aparato Murray de acuerdo con las condiciones técnicas y operativas descritas en el Manual de Instrucciones.
2. El aparato está cubierto por una garantía de 24 meses para consumidores „(es decir, una persona física que entabla una acción legal con un empresario no relacionado directamente con su actividad económica o profesional)” y una garantía de 12 meses cuando lo adquiere un empresario „(es decir, una persona física, una persona jurídica o una unidad organizativa que realiza una actividad económica o profesional por cuenta propia)”. Transcurrido este periodo, el usuario tiene derecho a reparaciones de pago.
3. Todos los daños revelados durante el período de garantía resultantes de defectos en los materiales, en el montaje o la fabricación serán reparados de forma gratuita.
4. La base para poder disfrutar de la protección de la garantía es el comprobante de compra del producto en un Distribuidor Autorizado de equipos MURRAY junto el impreso firmado de esta tarjeta de garantía emitida el día de la venta por un Distribuidor Autorizado oficial de la marca MURRAY. La garantía no será válida si el impreso de garantía está certificado/sellado por una empresa que no es un Distribuidor Autorizado de la marca MURRAY. La presente garantía se aplica al territorio de la República de Polonia.
5. Los defectos del producto cubierto por la garantía se repararán en un plazo de 14 días laborables a partir de su fecha de recepción en el Servicio Técnico Autorizado MURRAY. Este plazo puede ampliarse a 30 días laborables en casos excepcionales.
6. Por razones ajenas al Garante, el plazo mencionado puede ampliarse, en especial, cuando el producto requiera una comprobación/examen adicional o cuando se produzcan circunstancias de fuerza mayor que impidan su cumplimiento, p. ej.: inundaciones, incendios, huelgas, catástrofes naturales, restricciones a la importación, etc.
7. La garantía no incluye actividades como: el montaje, el mantenimiento, el servicio periódico, el ajuste y la limpieza, así como las inspecciones, los cambios de aceite y de filtro, junto con los materiales y las piezas utilizadas para las actividades mencionadas. Estas actividades pueden realizarse previo pago.
8. Para eliminar los defectos o daños, el aparato, junto con el comprobante de compra y una tarjeta de garantía válida, debe enviarse al Servicio Técnico Autorizado más cercano o utilizar el cómodo sistema "door to door" o acudir al lugar de la compra. El aparato debe limpiarse antes de su envío. El servicio técnico/tienda puede negarse a reparar un aparato sucio. Si se va a enviar el aparato, es fundamental el vaciado de todos los líquidos de funcionamiento (combustible y aceite) del aparato antes de entregarlo al mensajero o al vendedor. El embalaje debe garantizar un transporte seguro, se recomienda el embalaje original.
9. El método de reparación lo determina el garante. El garante no está obligado a proporcionar un dispositivo de sustitución durante la reparación en garantía.
10. La presente garantía es válida siempre que el equipo haya sido utilizado, mantenido y manejado correctamente conforme al manual de instrucciones adjunto.
11. El usuario está obligado a dejar de utilizar inmediatamente un aparato dañado. El uso continuado de un aparato dañado puede dar lugar a la aparición de nuevos fallos y suponer una amenaza para la salud o la vida del usuario o de terceros.
12. La garantía no cubre los daños resultantes de: daños mecánicos, uso indebido, así como modificaciones y reparaciones realizadas por personas no autorizadas. Esto también se refiere al montaje y uso de piezas y filtros incorrectos, lubricantes, aceites y combustibles.
13. La aparición de daños en los precintos de garantía, si los hubiera, o en la placa del número de serie puede invalidar la garantía.
14. La garantía no cubre los defectos causados por rayos, incendios, inundaciones u otros desastres naturales.
15. La garantía no cubre los elementos consumibles ni los elementos sujetos a un desgaste natural durante su funcionamiento, sujetos a la inspección por parte del usuario, como: correas trapezoidales, bombillas, filtros, bujías, ruedas motrices, cuchillas y hojas de corte, porta cuchillas, cabezales vectores, cadenas de corte, guías de cadena, cables de control, ranuras y pasadores de sobrecarga.
16. NAC no se hace responsable de los daños, pérdidas o costes directos o indirectos derivados del uso, o de la imposibilidad de utilizar la máquina para cualquier fin.
17. Si antes de la reparación fuese necesario realizar trabajos de mantenimiento en el aparato, el servicio técnico/tienda puede realizar dichos trabajos a cambio de un pago, previo consentimiento del usuario/cliente.
18. Si durante la reparación fuese necesario sustituir componentes relacionados con la seguridad del usuario o de terceros (incluyendo las cuchillas de corte, las cadenas, las guías, los protectores de los elementos de corte y otros relacionados con la seguridad), el servicio técnico está obligado a sustituir dichos componentes, aunque ello implique la necesidad de abonar una tarifa, previo consentimiento del usuario/cliente. En caso de rechazo, el servicio técnico devolverá el producto sin realizar ninguna reparación.
19. La garantía no cubre posibles daños a objetos o personas.
20. La garantía por la mercancía vendida no excluye, limita o suspende los derechos del comprador derivados de la legislación sobre garantía por defectos del artículo vendido.





**Notice! Avant de commencer l'assemblage ou l'opération, veuillez consulter ce manuel.**

**L'appareil est destiné à être utilisé dans des espaces domestiques.**

**L'utilisation de l'appareil à des fins professionnelles, semi-professionnelles ou commerciales entraîne l'annulation de la garantie.**

Mode d'emploi original, édition 1/2022

Ce mode d'emploi fait la partie intégrante de la machine. Il doit être conservé dans un endroit dédié pour être facilement disponible. Lors d'une revente de la machine ou de sa mise à la disposition à un autre utilisateur, le mode d'emploi doit toujours accompagner la machine.

## **SOMMAIRE**

Sommaire	79
Caractéristiques techniques	80
Description des pages avec graphismes et des pictogrammes	80
Règles de la sécurité pour les machines et les appareils avec moteur à combustion interne	81
Règles générales de sécurité	82
Dispositions détaillées portant sur la sécurité des tondeuses	84
Sécurité et responsabilité du fabricant	88
Risque résiduel	88
Emploi	88
Avant de commencer le travail	88
Éléments de la tondeuse thermique	89
Utilisation	91
Maintenance	93
Transport	96
Révisions, diagnostiquer les problèmes	97
Garantie et sav	98
Déclaration de conformité	99
Conditions de la garantie	101
Fiche de garantie	102

**CARACTÉRISTIQUES TECHNIQUES**

<b>Modèle</b>	<b>EQ2-700X</b>
Moteur	B&S 750EX DOV
Type de moteur	à un cylindre, à quatre temps, refroidi à l'air, DOV
Carburant	essence sans plomb 95 Pb
Cylindrée	161 cc
Puissance nominale de la machine	2,61 kW – 2900 tr/min
Couple maxi	9,5 Nm – 2400 tr/min
Régime moteur maxi	2900 tr/min
Capacité du réservoir de carburant	1 L
Capacité du carter d'huile	0,6 L
Corps	En acier
Capacité du bac de ramassage	75 L
Largeur de coupe	56 cm
Hauteur de coupe	25-75 mm, réglage 6 positions
Niveau de puissance acoustique LWA garanti	98 dB (A)
Niveau de pression acoustique LpA	LpA=82,5 dB (A), K=3 dB (A)
Valeur des vibrations générées par la machine et transmises aux membres supérieurs de l'opérateur	ahv=5,569 m/s <sup>2</sup> , K=1,5 m/s <sup>2</sup>
Poids de la machine	34,1 kg
Année production	2022

Cette machine se compose de :

- tondeuse thermique,
- bac de ramassage,
- vis, écrous,
- mode d'emploi,
- fiche de garantie,
- conditions de la garantie,
- déclaration de conformité CE.

**DESCRIPTION DES PAGES AVEC GRAPHISMES ET DES PICTOGRAMMES**

Pictogrammes page 2.A

1. Attention ! Danger Soyez particulièrement prudent.
2. Important ! Prendre connaissance du mode d'emploi et respecter les avertissements.
3. Danger de blessures dû aux objets lancés par la machine en fonctionnement. Garder une distance par rapport aux tiers.
4. Garder une distance de sécurité par rapport aux bâtiments.
5. Ne pas tondre le gazon dans la direction de l'inclinaison d'une pente.
6. Nota : Avant de procéder à une maintenance ou à une réparation, déconnecter la cosse du câble de haute tension sur la bougie.
7. Conserver la machine en dehors de la portée des enfants.
8. Ne pas tondre sous la pluie.
9. Nota : Tenir les mains et les pieds à l'écart des lames du couteau.
10. Ne jamais tondre avec le capot du bac de ramassage ouvert. Les objets lancés par les lames de la tondeuse peuvent être dangereux.
11. Avant de procéder au travail, inspecter et dégager le terrain.



12. Les tiers ne peuvent pas rester à proximité d'une tondeuse en fonctionnement.
13. Nota : Tenir les mains et les pieds à l'écart des éléments en rotation.
14. Avant de procéder au nettoyage, à une réparation ou à la vérification de la machine, s'assurer si la lame et toutes les autres pièces en rotation ne tournent plus.
15. Risque d'incendie ou d'explosion. L'essence est extrêmement inflammable.
16. Nota : Une surface brûlante peut causer des brûlures.
17. Porter des lunettes de protection.
18. Porter des protections auditives.
19. Porter des gants de protection.
20. Porter des chaussures de protection.
21. Attention ! Moteur à quatre temps, ne pas mélanger l'essence à l'huile. Cette machine est munie de deux réservoirs séparés et de deux trous de remplissage d'huile et d'essence séparés.
22. Après l'arrêt de la tondeuse, la lame tourne encore pendant quelques secondes. Ne pas déplacer la tondeuse lorsque sa lame n'est pas en arrêt.
23. Nota : Les fumées sont nocives pour la santé. Danger d'intoxication ou d'étranglement. Ne pas utiliser la machine dans les locaux fermés.
24. Ne pas jeter le matériel usagé. Son exploitant est tenu de le rapporter à un point de collecte en vue de son recyclage.

#### **AUTRES INFORMATIONS SUR LA MACHINE**

1. Plaque signalétique (page 2.B).  
La plaque signalétique se trouve à l'arrière du corps de la tondeuse. Les informations figurant sur la plaque sont nécessaires pour commander les pièces de rechange et pour l'entretien de la machine.
2. Niveau de puissance acoustique garanti (page 2.C).
3. Avertissements et autres informations (page 2.D).

### **RÈGLES DE LA SÉCURITÉ POUR LES MACHINES ET LES APPAREILS AVEC MOTEUR**

#### **A COMBUSTION INTERNE**



#### **Avertissement !**

- Prenez bien connaissance de ce mode d'emploi. Prenez connaissance des dispositions relatives à la sécurité, des systèmes de commande et des règles d'emploi de la machine.
- Un non-respect des avertissements et des consignes ci-dessus relatifs à la sécurité peut être à la source d'une électrocution, d'un incendie et/ou de blessures graves.
- Conservez ce mode d'emploi pour vos besoins futurs.
- Ce matériel ne peut être utilisé par les personnes (y compris les enfants) aux capacités physiques ou mentales réduites ou bien par les personnes n'ayant pas l'expérience ni la connaissance de l'appareil que sous la surveillance d'une personne habilitée ou selon les instructions d'utilisation du matériel en toute sécurité fournies par les responsables de leur sécurité.
- Ne laissez pas les enfants, les adolescents de moins de 16 ans et les personnes non familiarisées avec ce mode d'emploi utiliser cette machine.

## **RÈGLES GÉNÉRALES DE SÉCURITÉ**

### **SÉCURITÉ DANS LE LIEU DE TRAVAIL**

- Pensez à maintenir votre lieu de travail en ordre et à en assurer un bon éclairage. Un désordre ou un mauvais éclairage peuvent être à la source d'accidents.
- Tenir les enfants ou les tiers à l'écart des lieux d'utilisation des appareils dotés d'un moteur à combustion interne. Une inattention peut causer une perte de contrôle de la machine. Conserver le matériel de jardin à l'écart des tiers.
- L'opérateur ou l'exploitant est responsable des accidents ou des dangers causés aux tiers ou aux biens.

### **SÉCURITÉ DU TRAVAIL AVEC DU CARBURANT**

- Un moteur à combustion interne peut fonctionner avec de l'essence ou avec du mélange de combustibles (voir le type de carburant dans les caractéristiques techniques de la machine).
- Conserver l'essence dans les bidons dédiés.
- Conserver l'essence à l'écart des sources potentielles d'un incendie telles qu'un feu, une flamme nue, des étincelles électriques, une température augmentée, des étincelles de soudage ou d'autres sources de chaleur pouvant causer une inflammation du carburant.
- Le réservoir de carburant ne peut être rempli que dehors.
- Ce qui est exceptionnellement dangereux, c'est fumer ou utiliser une flamme nue pendant l'utilisation de la machine ou le remplissage de son réservoir.
- Avant de procéder au remplissage du réservoir de carburant, arrêter le moteur, attendre son refroidissement.
- Ne pas remplir le réservoir au-dessus du bord inférieur de la tubulure de remplissage, l'essence subit facilement une dilatation sous l'impact de la chaleur.
- En cas de déversement de carburant, l'essuyer avec un tissu sec.
- En remplissant le réservoir de carburant, veiller particulièrement à ne pas déverser de l'essence sur les vêtements. Ils peuvent s'enflammer facilement, c'est pourquoi il est nécessaire de les changer.
- Une fois le réservoir rempli, serrer bien le bouchon ; avant de démarrer le moteur, mettre le bidon d'essence à au moins 3 mètres du lieu de remplissage.
- Avant de démarrer le moteur, s'assurer si le système d'alimentation ne présente pas de fuites, surtout le réservoir de carburant, les tuyaux de carburant, les raccords, le bouchon de remplissage et la zone autour du carburateur. En cas de détection d'une fuite, ne pas démarrer le moteur, car cela peut causer un incendie.
- Cette machine ne doit pas être utilisée dans les atmosphères explosives dues à la présence de liquides inflammables, de gaz ou de poussières. Un moteur à combustion interne peut générer des étincelles qui peuvent être à la source d'une inflammation des poussières ou des vapeurs.
- N'utilisez pas la machine si vous constatez des problèmes à l'étape de son arrêt. Une machine qui ne peut pas être arrêté, présente un danger et elle doit être réparée.
- Ne pas conserver la machine avec le réservoir de carburant rempli dans les locaux fermés. Les vapeurs de l'essence sont inflammables et dangereux pour la santé.



**Attention !**

- Évitez de respirer les vapeurs de l'essence et les fumées. L'essence, les vapeurs de l'essence et les fumées peuvent causer une intoxication.
- Ne pas démarrer la tondeuse dans des locaux fermés ou munis d'une faible ventilation. En cas de mal de tête, de nausées, de troubles de l'audition ou de la vue, arrêtez immédiatement le travail.

### SÉCURITÉ PERSONNELLE

- Pendant l'utilisation du matériel, il faut anticiper, observer ce qui se passe, rester raisonnable. N'utilisez jamais le matériel si vous êtes fatigué ou drogué, si vous êtes sous l'emprise des drogues, de l'alcool ou des médicaments. Une inattention pendant le travail peut causer des blessures.
- Porter des équipements de protection. Porter toujours des lunettes de protection. Porter des équipements de protection correspondants tels qu'un masque anti-poussière, des chaussures antidérapants, un casque ou des protections auditives peut réduire la taille des blessures.
- Avant de mettre en marche le matériel, penser à enlever tous les objets et toutes les clefs. Une clef laissée dans une pièce en rotation peut être à la source des blessures.
- Pendant l'utilisation de la machine, pensez à prendre une position sûre et équilibrée. Cela permettra de mieux maîtriser les situations difficiles à prévoir.
- Porter des vêtements appropriés. Ne pas porter de vêtements flottants ni de bijoux. Tenir les cheveux, les vêtements et les gants à l'écart des pièces en rotation. Des vêtements flottants, des bijoux ou des cheveux longs peuvent être attrapés par les pièces en rotation.
- Pendant l'utilisation du matériel, faire l'usage des poignées supplémentaires, le cas échéant. Une perte de contrôle du matériel peut être à la source des blessures.
- N'utilisez pas la machine si vous constatez des problèmes à l'étape de son arrêt. Une machine qui ne peut pas être arrêtée, présente un danger et doit être réparée.



**Attention ! Même si la construction de la machine ne présente pas de danger, si vous mettez en place des sécurités et des équipements de protection supplémentaires, il existe toujours un risque résiduel de blessures.**

### UTILISATION DU MATÉRIEL ET SON ENTRETIEN

- Ne pas surcharger le matériel. Adapter la puissance du matériel au travail à effectuer. Un matériel approprié contribuera à une meilleure qualité du travail en toute sécurité tout en tenant compte de la charge prévue.
- Conserver la machine en dehors de la portée des enfants. Ne pas laisser utiliser le matériel aux personnes n'ayant pas pris connaissance de la machine ou de ce mode d'emploi. L'utilisation des machines et des équipements avec moteur à combustion interne par les utilisateurs non formés peut être à la source de dangers.
- Les équipements avec moteur à combustion interne nécessitent une maintenance. Contrôler la coaxialité, voir si les pièces en rotation ne sont pas coincées, si les pièces ne sont pas fissurées et tous les autres facteurs pouvant impacter le fonctionnement du matériel. En cas de pannes, le réparer avant toute utilisation. Les accidents sont souvent causés par une réparation et/ou une maintenance incorrecte.
- Avant toute utilisation, remplacer toutes les pièces défectueuses et usagées ou bien endommagées. Toute plaque d'avertissement sur la machine illisible ou endommagée doit être remplacée.

- Les autocollants et les pièces de rechange peuvent être commandés auprès du SAV de MURRAY ou chez ses concessionnaires.
- Utiliser cette machine avec moteur à combustion interne, ses accessoires, ses outils etc. conformément à ce mode d'emploi tout en tenant compte des conditions du travail et du type de travail. Une utilisation du matériel non conforme à sa destination peut être à la source d'un danger.

### **UTILISATION ET ENTRETIEN DES ÉQUIPEMENTS MUNIS D'ACCUMULATEUR**

- Avant de mettre un accumulateur en place, s'assurer si son interrupteur est à « arrêt ». La mise en place d'un accumulateur avec son interrupteur à « marche » peut causer des blessures graves.
- N'utiliser que le chargeur fourni par le fabricant. Les accumulateurs d'autres types peuvent être à la source d'un incendie.
- Ne jamais utiliser les accumulateurs autres que ceux qui sont préconisés par le fabricant. La mise en place d'autres accumulateurs peut être à la source de blessures graves ou d'un incendie.
- Si un équipement n'est pas utilisé, sortir son accumulateur. Celui-ci doit être conservé à l'écart des objets métalliques tels que les agrapheuses, les monnaies, les clous, les vis etc. qui peuvent court-circuiter les bornes d'un accumulateur. Un court-circuit des bornes d'un accumulateur peut causer des brûlures ou un incendie.
- Un liquide peut se dégager de l'accumulateur dans les conditions extrêmes. Éviter de le toucher. En cas de contact avec le liquide, laver immédiatement le lieu de contact à l'eau. En cas de contact du liquide avec les yeux, consulter immédiatement un médecin. Le liquide dégagé par l'accumulateur peut être à la source d'irritations ou de brûlures.
- Il est interdit d'utiliser les chargeurs et les adaptateurs-secteurs dehors ou dans des locaux à humidité élevée tels que les salles de bains ou les sous-sols.



**Attention ! Les chargeurs et les adaptateurs-secteurs pour les équipements à accumulateur doivent être utilisés à l'intérieur des locaux dans un milieu sec. Danger de l'électrocution et/ou d'endommager un équipement.**

### **RÉPARATION**

- Avant de procéder au réglage, au remplacement des pièces ou au stockage, déconnecter le conducteur de la bougie d'allumage. Cela permettra d'éviter un démarrage involontaire.
- Faire réparer l'équipement à une personne qualifiée, n'utiliser que les pièces de rechange d'origine. Cela permettra de poursuivre une utilisation en toute sécurité de l'équipement. Il est préconisé de demander d'effectuer toutes les opérations d'entretien à un SAV concessionnaire de MURRAY.



**Attention !** Danger d'étranglement pour les enfants quand ils jouent avec l'emballage. Tenir l'emballage, surtout le sac en plastique, à l'écart des enfants.

### **DISPOSITIONS DÉTAILLÉES PORTANT SUR LA SÉCURITÉ DES TONDEUSES**



#### **Avertissement !**

- Attention aux bords tranchants des couteaux. Les couteaux tournent même après l'arrêt du moteur.

- N'utiliser qu'une tondeuse en bon état de marche. Se elle nécessite une réparation, effectuer les opérations correspondantes ou contacter le SAV. Il est préconisé de faire le recours au SAV concessionnaire de MURRAY.
- Avant tout démarrage vérifier si :
  - l'équipement est assemblé en respect du mode d'emploi ;
  - les outils coupants et le sous-ensemble de coupe (le capot d'évacuation, les éléments de coupe, le carter de sous-ensemble de coupe) sont dans un bon état technique ; vérifier systématiquement le serrage des éléments, l'inspecter pour détecter d'éventuels dommages et son usure (enfouissements ou fissures) ;
  - les dispositifs de protection (tels que le capot d'évacuation, le corps, le guidon, le levier de frein du moteur) sont dans un bon état de marche ;
  - le bac de ramassage n'est pas endommagé et s'il est bien installé, ne pas utiliser un bac endommagé.
- Ne pas démarrer la tondeuse lorsque le couteau n'est pas bien installé. Cela peut générer des vibrations dangereuses !
- Les outils de coupe doivent être bien affûtés et propres. Un bon affûtage des couteaux, c'est un moindre risque de coincement et une utilisation plus facile.
- Avant de procéder au réglage, au nettoyage, à la maintenance arrêter le matériel et déconnecter le conducteur de haute tension de la bougie.
- Ne pas utiliser la tondeuse à proximité d'autres personnes, surtout des enfants, ou des animaux.
- Ne pas démarrer une tondeuse défectueuse.
- Ne pas toucher aux couteaux avant l'arrêt complet de l'équipement et des couteaux.
- Ne pas lever, ne pas transporter la machine avec le moteur en marche.
- Arrêtez la tondeuse, déconnectez le conducteur de haute tension de la bougie d'allumage lorsque :
  - vous laissez l'équipement sans surveillance ;
  - avant le réglage du verrouillage ;
  - vous avez l'intention de procéder à un contrôle, au nettoyage ou à une réparation de l'équipement ;
  - après un choc causé par un objet tiers ;
  - avant de procéder au nettoyage du conduit d'évacuation ;
  - vous constatez des vibrations excessives.

#### **AVANT DE TONDRE**

- Pensez à mettre des chaussures solides et des pantalons long, ne pas utiliser l'équipement sans chaussures ou en sandales.
- Vérifiez la zone à tondre, enlevez tous les pierres, toutes les branches, tous les fils, les os et d'autres objets.
- Si l'herbe est haut, vous risquez de ne pas voir des obstacles (tels que les troncs, les racines), c'est pourquoi avant de procéder au travail, identifiez tous les obstacles cachés dans l'herbe qui ne peuvent pas être enlevés.
- Avant toute utilisation, voir si les couteaux, les vis et le sous-ensemble des couteaux ne sont pas usagés ou endommagés. Remplacer les couteaux et les vis usagés ou défectueux par paires pour conserver un bon équilibre.

- Pour les équipements à plusieurs couteaux, soyez prudent car la rotation d'un couteau peut entraîner la rotation des autres couteaux.

### **AFFÛTAGE DU COUTEAU**

- Pour un fonctionnement optimal de la tondeuse, veiller à bien affûter son couteau. Cette opération apparemment simple doit être effectuée très soigneusement. Pour cela, il faut disposer d'un grand savoir technique et du matériel approprié. Le fabricant ne reste pas responsable des détériorations de la tondeuses dues à un mauvais affûtage de son couteau. L'angle préconisé est de 30°.
- Pour que cette opération soit réalisée en toute sécurité, il est mieux de faire recours à un SAV concessionnaire de MURRAY.
- Avant de procéder à l'affûtage, arrêter la tondeuse, attendre le refroidissement de son moteur, déconnecter le conducteur de haute tension de la bougie d'allumage, éventuellement démonter l'accumulateur et desserrer le couteau.
- Le couteau peut être affûté à la main avec une pierre à aiguiser ou une lime à métal, mais il est préférable de choisir pour l'affûtage une pierre à aiguiser professionnelle. Ne pas oublier qu'une lame est susceptible de subir une surchauffe ce qui la rend impropre au travail. Pour le traitement du métal, il est recommandé d'utiliser un agent refroidisseur liquide, tel que de l'eau, tout en tenant compte du fait que pour certaines machines d'affûtage, il est impossible de mettre en place un agent de refroidissement liquide. Lorsque la surface de la lame devient bleue, le couteau est détérioré et n'est plus apte à l'emploi.
- Après chaque affûtage, il est impératif d'équilibrer le couteau. Si l'utilisateur ne dispose pas d'équilibre et du savoir nécessaire, il doit s'adresser à un professionnel. Un couteau mal équilibré peut générer des vibrations excessives ce qui peut desserrer les assemblages vissés dans toute la machine, y compris la vis du couteau, ce qui peut être à la source d'un danger pour la santé et la vie de l'utilisateur.

### **UTILISATION**

- Tondez le gazon sous la lumière du jour ou sous un bon éclairage artificiel.
- Ne tondez pas le gazon sous la pluie, et surtout pendant un orage. Évitez de tondre un gazon humide.
- Sur une pente, assurez-vous si vos pieds reposent sur un terrain stable.
- Marchez, ne courez jamais. Pensez toujours à prendre une position stable en toute sécurité.
- Pour les tondeuses à rotor, sur les pentes, tondez transversalement, jamais vers le haut ou vers le bas.
- Soyez particulièrement prudent lors d'un changement de la direction sur une pente.
- Ne tondez pas les gazons sur les pentes très inclinées.
- Soyez particulièrement attentif lorsque vous reculez ou tirez la machine vers vous.
- Arrêter la machine avant de poser la machine sur le côté ou de la déplacer en dehors du gazon, ou bien pour la transporter vers le lieu du travail et de retour.
- Avant de transporter la tondeuse, refroidir son moteur, vider son réservoir de carburant et d'huile.
- Ne pas utiliser la machine dont les protections ou le corps ou les sécurités sont détériorés, soit il s'agit des protections supplémentaires et/ou celles du bac de ramassage.

- Démarrer le moteur en respect du mode d'emploi, penser à mettre les pieds à l'écart du couteau.
- Ne pas démarrer la tondeuse lorsque celle-ci est inclinée, sauf si c'est nécessaire pour son démarrage si l'herbe est très haut. Dans un cas pareil, en appuyant sur son guidon, lever la partie avant de la machine seulement jusqu'à une hauteur nécessaire, puis la baisser doucement. Veiller à ce que tout au cours de cette opération, les deux mains reposent bien sur le guidon.



**Important !** Les moteurs B&S ne peuvent pas être utilisés sur les pentes supérieures à 15°.

- Tenir les mains et les pieds à l'écart des pièces en rotation. Pour les tondeuses à rotor, veillez à ce que le conduit d'évacuation ne soit pas obturé.
- Pendant le démarrage de la tondeuse, ne pas tirer sur le poignée actionnant la traction.

## MAINTENANCE ET CONSERVATION



### **Avertissement !**

- Avant de procéder à une réparation ou aux opérations de maintenance, assurez-vous si le conducteur de haute tension est déconnecté de la bougie d'allumage et s'il n'y a pas d'enfants ou de tiers à proximité.
- N'oubliez pas qu'il peut rester du carburant dans son réservoir. Pour les règles de sécurité relatives au carburant, voir le point suivant de ce mode d'emploi : « Manipulation du carburant en toute sécurité ».
- Veillez à maintenir en bonne état tous les écrous, boulons et toutes les vis pour un fonctionnement de la machine en toute sécurité. Inspecter souvent le bac de ramassage pour détecter ses éventuelles détériorations.



Assurez-vous quant au type de couteau mis en place.

À la fin du travail, nettoyez la tondeuse. Videz le réservoir de carburant. Posez la tondeuse sur son guidon (bougie d'allumage vers le haut). Avec une brosse, nettoyez l'intérieur du corps de la tondeuse pour enlever des résidus d'herbe et de poussière, protéger éventuellement les éléments métalliques avec des produits anticorrosion. Nettoyez toute la tondeuse avec un chiffon humide et protégez-la éventuellement avec une pâte pour les peintures.

Conserver la tondeuse dans un local doté d'une bonne ventilation, au sec, à l'écart de la poussière. Voir si le bac de ramassage est vidé et s'il est bien nettoyé. L'herbe pourru peut détériorer le bac.

Ce n'est qu'une tondeuse en bon état de marche qui peut être conservé ; si nécessaire, avant la conservation, réparer tous les défauts.

Si la tondeuse est munie d'un accumulateur, n'oubliez pas que les conditions optimales de conservation de l'accumulateur sont suivantes température de 10 à 21 °C, humidité d'air peu élevée, accumulateur chargé à 50 %.

## EN CAS D'ACCIDENT OU DE PANNE

Arrêter/éteindre immédiatement la machine et appeler les secours (si nécessaire).

En cas de panne, arrêter/éteindre la machine, contacter le concessionnaire de proximité afin d'éviter une panne.

## **SÉCURITÉ ET RESPONSABILITÉ DU FABRICANT**

Tout emploi de la tondeuse non conforme au présent mode d'emploi est réputé être inapproprié et le fabricant ne peut pas être tenu pour responsable pour les dommages et les détériorations en découlant.

Un emploi correct de la tondeuse, c'est également respecter les conditions du travail, de la maintenance, du stockage et des réparations définies par le fabricant.

Afin d'éviter les accidents, respecter les règles de sécurité de l'utilisation de la machine et éviter les dangers.

Toute modification de la machine par son utilisateur peut pénaliser la sécurité de son utilisation. Le fabricant ne peut pas être tenu pour responsable des détériorations et des blessures.

## **RISQUE RÉSIDUEL**

Même si le fabricant reste responsable d'assurer une structure éliminant les dangers, certains éléments du risque ne peuvent pas être évités. Le risque résiduel résulte d'un comportement erroné de l'opérateur de la machine.

Le risque est le plus élevé lors d'effectuer les opérations interdites suivantes :

- la machine est utilisée par les enfants ;
- la machine est utilisée aux fins autres que celles prévues par son mode d'emploi ;
- il y a des tiers à proximité, surtout des enfants ou des animaux ;
- la machine est utilisée par ceux qui ne sont pas familiarisés avec son mode d'emploi ;
- l'utilisateur de la machine ne porte pas de vêtements de protection correspondants ni de chaussures de protection ;
- les protections ou le corps de la machine sont défectueux et les sécurités sont démontées.

Le respect du mode d'emploi permet d'éliminer le risque résiduel lié à l'utilisation de la machine. En cas de non-respect des préconisations susmentionnées, il est impossible d'éliminer ce risque.

## **EMPLOI**

Cette machine n'est prévue que pour tondre les gazons conformément à la description et aux règles de la sécurité spécifiées dans son mode d'emploi. Tout autre emploi peut présenter un danger pour ses utilisateurs et peut être à la source d'une détérioration du matériel.

Ne pas utiliser la tondeuse pour :

- ramasser les feuilles ou enlever les plantes sèches ;
- étaler les taupinières ;
- couper les arbustes ;
- broyer les tranches.

## **AVANT DE COMMENCER LE TRAVAIL**

La tondeuse est fournie par son fabricant dans une boîte de carton partiellement démontée. L'assemblage de la tondeuse ne devrait pas poser de problèmes à ceux qui ont pris connaissance de son mode d'emploi et des dessins d'assemblage. Tous les éléments nécessaires pour le montage sont fournis. Ce mode d'emploi concerne les différents modèles de la tondeuse. Une tondeuse faisant l'objet d'un mode d'emploi peut être différent à votre tondeuse. Veuillez tenir compte des fragments se rapportant à votre modèle.



## **ÉLÉMENTS DE LA TONDEUSE THERMIQUE**

Pour les figures explicatives, voir la p. 3, Fig. 1-2

- 1 Guidon
- 2 Levier du frein du moteur
- 3 Levier de traction avec Conde
- 4 Levier de serrage
- 5 Poignée du lanceur avec corde
- 6 Lieu de fixation de la corde du lanceur
- 7 Bac de ramassage
- 8 Roue arrière
- 9 Écrou de fixation du guidon sur le corps
- 10 Raccordement du système de nettoyage à l'eau
- 11 Roue avant
- 12 Couvercle du filtre à air
- 13 Moteur
- 14 Bouchon du remplissage de carburant
- 15 Bouchon du remplissage d'huile
- 16 Silencieux
- 17 Capuchon de la bougie d'allumage
- 18 Capot du conduit d'évacuation latérale
- 19 Obturateur du conduit d'évacuation latérale
- 20 Jauge du remplissage du bac de ramassage
- 21 Réglage de la corde
- 22 Protection du bac d'évacuation d'herbe
- 23 Levier de réglage de la hauteur de coupe

### **ASSEMBLAGE**

Le guidon de la tondeuse est mis d'usine en position du stockage.

- Mettre le guidon inférieur en position d'emploi, s'assurer s'il se trouve entre les limiteurs, le serrer avec un écrou papillon (Fig. 3).
- Mettre le guidon supérieur en position d'emploi, le verrouiller avec le levier de serrage. Tourner l'écrou pour changer de longueur de la vis du levier de serrage pour augmenter ou diminuer la force de serrage. La fixation est terminée au moment du serrage définitif du levier de serrage sur le guidon dans le sens des aiguilles d'une montre montré avec une flèche sur la Fig. 4.



**Attention ! Si la vis est trop raccourcie avec l'écrou, il peut s'avérer être impossible de serrer le levier de serrage ce qui peut endommager le levier.**



**Attention ! Lors de déplier et plier le guidon, veiller à ne pas casser ou plier la corde du frein du moteur. Une corde pliée ou détériorée autrement peut empêcher un fonctionnement correct de la tondeuse.**

- Mettre en place la fixation de la corde du lanceur 5 (Fig. 2) là où celle-ci doit être fixée 6 (Fig. 2).



**Attention ! Vous constatez une certaine résistance lors de sortir la corde du lanceur. Approchez vers vous le levier du frein du moteur et tirez doucement pour sortir la corde à une**

**longueur nécessaire. N'oubliez pas qu'en tirant énergiquement la corde, vous pouvez démarrer la tondeuse.**

### REEMPLIR LE MOTEUR D'HUILE

Le moteur n'est pas rempli d'huile en usine. Il peut y avoir des résidus d'huile après un contrôle technique dans l'usine. Avant le premier démarrage, verser environ 0,6 L d'huile à moteur préconisé B&S SAE30 (Fig. 6A), contrôler son niveau avec la jauge intégrée dans le bouchon de remplissage d'huile (Fig. 6B).

Le niveau d'huile doit se situer entre le niveau mini et le niveau maxi.

Nous préconisons d'utiliser l'huile pour les tondeuses thermiques de B&S SAE30.

Vidanger l'huile pour la première fois après 5 h du fonctionnement de la tondeuse lorsque vous avez utilisé deux réservoirs de carburant. Ensuite vidanger l'huile toutes les 25 h du fonctionnement de la tondeuse, au moins tous les ans.

idanger l'huile lorsque le moteur est encore chauffé.

Contrôler systématiquement le niveau d'huile avant le démarrage de la tondeuse.

En rajouter, si nécessaire.



**Attention ! Ne pas éliminer l'huile usagée d'une manière accidentelle, ne pas le verser dans les égouts ou directement dans l'environnement. Le rapporter à un point de collecte et d'élimination d'huile.**

### REEMPLIR LE RÉSERVOIR DE CARBURANT

- Avant de commencer l'utilisation de l'équipement, prendre connaissance des règles de sécurité, d'emploi, d'entretien et de stockage présentées dans ce mode d'emploi.
- Pour remplir le réservoir de carburant, la tondeuse doit se trouver dehors à l'écart des lieux où il existe un risque de génération d'étincelles ou de la flamme.
- Conserver l'essence dans les récipients appropriés (bidons) qui doivent être approuvés par une unité compétente. Contrôler systématiquement l'état de ces récipients.
- Fermer bien les récipients de carburant. Remplacer les bouchons détériorés pour une meilleure sécurité.
- Pour stocker les consommables tels que le carburant ou l'huile, ne pas utiliser de bouteilles de boissons ou récipients pareils car il existe un risque de les confondre avec une boisson, surtout par les enfants.
- Le réservoir de carburant ne peut être rempli que dehors, ne pas fumer pendant son remplissage.
- Remplir le réservoir de carburant avant de démarrer le moteur à combustion interne.
- Ne pas ouvrir le bouchon de remplissage ni rajouter de carburant lorsque le moteur tourne ou il est chauffé.
- Ne pas dépasser le niveau maxi du réservoir de carburant ! Compte tenu de la dilatation thermique du carburant, le réservoir de carburant ne doit pas être rempli au-dessus du bord inférieur de la tubulure de remplissage.
- Ne pas conserver la machine avec le réservoir de carburant rempli dans les locaux fermés. Les vapeurs de l'essence peuvent avoir le contact avec une flamme nue et s'enflammer. S'il est nécessaire de vidanger le carburant, cela doit être fait dehors. Avant de démarrer la machine,

s'assurer s'il n'y a pas de carburant déversé sur la machine elle-même ou à sa proximité. L'essuyer, si nécessaire.



**Attention !** Les vapeurs de l'essence sont inflammables. Avant de démarrer la tondeuse, assurez-vous si vous vous trouvez à au moins 3 m des réservoirs de carburant.

## **UTILISATION**

### **LEVIER DU FREIN**

Avant de démarrer le moteur, placer le levier de frein 2 (Fig. 1) contre le guidon 1 (Fig. 1) selon la Fig. 8A.

Si vous relâchez le levier du frein, cela arrête le moteur et le couteau.

### **DÉMARRAGE DU MOTEUR**



**Avertissement !** Lorsque le moteur tourne, les couteaux tournent aussi.

1. Vérifier le niveau d'huile (Fig. 6B).
2. Remplir le réservoir de carburant avec de l'essence sans plomb pure (Fig. 5). Assurez-vous si le conducteur de la bougie d'allumage est connecté à celle-ci (Fig. 7A, B).
3. Mettez-vous derrière la tondeuse. Tenez avec une main le levier du frein 2 (Fig. 1) en position du travail selon la Fig. 8A8.
4. Mettez l'autre main sur la poignée de la corde du lanceur 5 (Fig. 2) selon la Fig. 8C.
5. Tirez la corde légèrement vers vous pour activer le lanceur, puis lorsque vous constatez une résistance, tirez la corde fermement et rapidement, laissez-la reprendre sa place.
6. Ne relâchez pas la poignée de la corde jusqu'à ce que celle-ci ne soit enroulée par le système d'enroulement du lanceur. Ne relâchez pas la poignée de la corde jusqu'à ce que celle-ci ne soit enroulée par le système d'enroulement du lanceur.
7. Si après avoir refait cette procédure 5 à 6 fois, le moteur n'a pas démarré, suivre les consignes du chapitre « Révisions et solutions aux problèmes ».

### **ACTIONNER LA TRACTION**

Pour actionner la traction, tirez le levier de traction 3 (Fig. 1) vers le guidon 1 (Fig. 1) ce qui est présenté sur la Fig. 8B.

Vous pouvez désactiver la traction à tout moment. Pour cela, vous devez relâcher le levier de traction et continuer à travailler comme si c'était une tondeuse sans traction.

### **RÉGLER LA HAUTEUR DE LA COUPE**



**Attention !** Avant de régler la hauteur de la coupe, arrêter le moteur et déconnecter le conducteur de la bougie d'allumage.

Pour régler la hauteur de la coupe souhaitée, changer de position du levier de réglage 23 (Fig. 2) sur le corps de la tondeuse (Fig. 9). Vous avez au choix 6 positions de la coupe de 25 à 75 mm.

### **INSTALLER LE BAC DE RAMASSAGE**

1. Lever le capot du bac de ramassage de la tondeuse 22 (Fig. 2).
2. Installer le bac de ramassage 7 (Fig. 1) en l'accrochant près de son trou d'entrée sur une tige dédiée à côté du conduit d'évacuation de la tondeuse (Fig. 10), baisser le capot.

3. S'assurer d'un bon positionnement des crochets.



**Avertissement !** Inspecter souvent le bac de ramassage. Toutes les pièces usées ou détériorées doivent être remplacées par des pièces qui s'achètent chez les concessionnaires.

### VIDER LE BAC DE RAMASSAGE

**Avertissement !** Arrêter le moteur avant d'enlever et de vider le bac de ramassage.

La jauge du bac de ramassage 20 (Fig. 2) permet de connaître le niveau de son remplissage. Si pendant la tonte, la plaquette de la jauge est levée (Fig. 11A), le bac n'est pas encore entièrement rempli. Si pendant la tonte, la plaquette de la jauge est en position verticale (Fig. 11B), le bac de ramassage est plein et il doit être vidé.

### NETTOYER LE CARTER DU SOUS-ENSEMBLE DE COUPE



**Avertissement !** Lorsque le moteur tourne, les couteaux tournent aussi.

1. Une fois la tonte terminée, nettoyer bien toute la machine.
2. Avant de nettoyer son corps, arrêter le moteur et déconnecter le conducteur de la bougie d'allumage.
3. Avant de procéder au nettoyage, vider le réservoir de carburant.
4. Sans incliner la tondeuse, appuyer son guidon sur le sol de manière à ce que ses roues se trouvent en l'air.
5. Utiliser une brosse et de l'eau pour nettoyer le dessous de la tondeuse.

Ne pas utiliser de matériel de nettoyage haute pression car il peut détériorer la peinture du corps. Ne pas utiliser de nettoyeurs intenses tels que des détergents agressifs car ils peuvent détériorer les surfaces plastiques et métalliques ce qui peut pénaliser la sécurité d'emploi de la machine.

Une autre méthode du nettoyage du corps, c'est d'utiliser le système de nettoyage du corps.

Une fois le tuyau connecté au raccord rapide dédié sur le corps de la tondeuse et après avoir ouvert le robinet d'eau, mettre en marche la tondeuse. Le nettoyage de la machine se fait lorsque le couteau tournant est arrosé d'un fort jet d'eau éliminant les résidus d'herbe. (Fig. 12)

### MISE EN PLACE DU CAPOT DU CONDUIT D'ÉVACUATION LATÉRALE

mettre en place le capot du conduit d'évacuation latérale :

1. ouvrir la trappe d'évacuation latérale 18 (Fig. 2) (pour déverrouiller la trappe, tourner tout d'abord la protection de l'essieu (Fig. 14A, B)),
2. insérer la protection du conduit d'évacuation latérale 19 (Fig. 2) selon la Fig. 14C,
3. fermer la trappe du conduit d'évacuation latérale (Fig. 14D).

### FONCTION DE MULCHING

Le mulching (paillage) est un soin consistant à broyer l'herbe coupée. Grâce au système de mulching, l'herbe reste sur votre gazon, en totalité ou en partie, où elle subit une décomposition tout en étant une source des substances nutritionnelles.

Pour le mulching, la hauteur de l'herbe doit être de 4 cm au maxi. Le gazon à mulcher doit être tendu systématiquement et fréquemment - même tous les quelques jours. Ce ne sont que des brins jeunes et délicats qui peuvent rester sur la surface d'un gazon après le mulching car ils subissent facilement une décomposition sans pourrir.

Pour activer la fonction de mulching, enlever le bac de ramassage et démonter le capot d'évacuation latérale (le cas échéant), mettre en place l'obturateur de mulching (Fig. 13) sur le conduit d'évacuation arrière et fermer le capot du conduit d'évacuation du côté du bac.



**Pour une meilleure efficacité du mulching, il vaut mieux de se munir d'un couteau de mulching.**

### FONCTION D'ÉVACUATION LATÉRALE

Pour pouvoir utiliser la fonction d'évacuation latérale, vous devez :

1. enlever le bac de ramassage 7 (Fig. 1) (le cas échéant), mettre en place l'obturateur de mulching sur le conduit d'évacuation arrière (Fig. 13) et fermer le capot sur le conduit d'évacuation du côté du bac de ramassage 22 (Fig. 2),
2. lever le capot du conduit d'évacuation latérale et utiliser les crochets pour mettre en place l'obturateur.  
Nota : pour lever le capot du conduit d'évacuation latérale, il peut s'avérer être nécessaire d'agir avec une grande force ou d'ouvrir un verrouillage spécial empêchant son ouverture (si disponible) (Fig. 14A-C),
3. appuyer le capot du conduit d'évacuation latérale contre l'obturateur du conduit d'évacuation latérale (Fig. 14D).

## MAINTENANCE

### ENTRETIEN DU COUTEAU



#### **Avertissement !**

Avant de contrôler le couteau ou le rouleau de fixation des couteaux, déconnecter le conducteur de la bougie d'allumage. Si vous avez heurté un objet, arrêtez-vous, arrêtez le moteur, déconnectez le conducteur de la bougie d'allumage et inspectez la tondeuse pour détecter d'éventuels dommages. Voir si l'arbre vilebrequin du côté de la réception de puissance ou l'adaptateur de fixation du couteau n'est pas endommagé (courbé ou crevassé).

L'adaptateur du couteau n'est pas une protection suffisante du moteur lorsqu'un objet est heurté tel qu'une pierre, une branche, une taupinière.

Vérifier systématiquement si les couteaux ne sont pas courbés, usagés, s'ils ne présentent pas d'autres dommages tels que des fissurations ou des déformations.

Remplacer les pièces défectueuses, utiliser les pièces préconisées par le fabricant. Pour une meilleure sécurité, remplacer les couteaux tous les deux ans. Les couteaux doivent être bien affûtés (pour les détails, voir le chapitre (Affûtage du couteau)). Les couteaux mal affûtés, c'est une coupe incorrecte entraînant le jaunissement des bouts des brins.



**Attention ! Après chaque affûtage, il est impératif d'équilibrer le couteau. Un couteau non équilibré peut générer des vibrations dangereuses pouvant détériorer la tondeuse et/ou causer un accident.**

**Vérifiez souvent la vis de fixation du couteau. Le couple de serrage doit être de 45 à 55 Nm.**

### DÉMONTAGE LE COUTEAU (Fig. 15A)

- 1 Adaptateur
- 2 Couteau

3 Rondelle

4 Vis



**Attention ! Le couteau 2 (Fig. 15A) peut être très tranchant. Porter des gants de protection pour éviter les blessures de mains.**

1. Vider le réservoir de carburant.
2. Avec une cale en bois, immobiliser le couteau.
3. Desserrer la vis de fixation du couteau.
4. Vérifier l'état du couteau (voir le chapitre « Entretien du couteau »).
5. Le remplacer, si nécessaire. Utiliser un couteau préconisé par le fabricant.
6. Resserrer la vis avec le couple de 45 à 55 Nm. Si une vis de fixation est mal resserrée, le couteau peut se desserrer ce qui peut causer un accident.



**Attention ! Pendant la mise en place du couteau, pensez au sens de sa rotation. Une mise en place inverse du couteau, c'est une mauvaise tonte ce qui peut causer un accident.**

### **CARACTÉRISTIQUES LES PLUS IMPORTANTES DU COUTEAU (Fig. 15B)**

A - longueur (560 mm), les couteaux moins longs peuvent être aussi utilisés, toutefois la largeur de coupe sera aussi moins grande,

B - largeur (57 mm),

C - diamètre du trou de fixation (11 mm),

D - entraxe entre les trous (27,5 mm),

Le diamètre des trous ronds 11x11 mm pour les cales de sécurité est standard et il est de 15,5 mm.

Il est préconisé d'utiliser les couteaux de MURRAY dédiés à un modèle donné de la tondeuse.



**Attention ! Les différentes formes des couteaux, ce sont leurs différentes caractéristiques. Selon sa forme, un couteau convient pour la tonte avec le bac de ramassage, la tonte avec évacuation latérale ou pour le mulching. Un couteau mis en place d'usine peut s'avérer être moins performant, c'est pourquoi nous préconisons d'acheter des couteaux accessoires pour les différentes fonctions, soit un couteau pour le mulching, l'autre pour l'évacuation d'herbe vers le bac de ramassage.**

### **ENTRETIEN DE LA BOUGIE D'ALLUMAGE**

Remplacer la bougie d'allumage (Fig. 16A) au début de chaque saison ou après 100 heures du travail. Utiliser les bougies d'allumage d'origine B&S QC12YC / B&S 797429. La distance entre les électrodes préconisée est de 0,51 mm (Fig. 16B). Mesurer les fentes avec une jauge d'épaisseur à lame.

### **VIDANGER L'HUILE**

Vidanger l'huile pour la première fois après 4 à 5 heures du travail du moteur. Ensuite la vidanger toutes les 25 heures du travail ou plus souvent. Le bouchon de vidange peut être installé sur le bloc du moteur, mais cela dépend du modèle du moteur. Si le bloc du moteur n'est pas muni de bouchon de vidange, vidanger l'huile par le trou de remplissage, avant n'oubliez pas de vidanger le réservoir de carburant.

- Desserrer le bouchon de remplissage d'huile avec la jauge.
- Sortir le filtre à air pour éviter qu'il prenne de l'essence lorsque la tondeuse est en position inclinée.
- Incliner la tondeuse dans le sens du bouchon de remplissage 15 (Fig. 1).

- Laisser la tondeuse dans cette position jusqu'à la fin de l'écoulement de l'huile (cela peut durer quelques minutes).

Une fois l'huile vidangée, mettre la tondeuse à plat et verser environ 0,6 L d'huile à moteur préconisée par B&S spécification SAE30, contrôler son niveau avec la jauge intégrée au bouchon de remplissage d'huile. Resserrer le bouchon de remplissage d'huile avec la jauge, mettre en place le filtre à air.

### REEMPLACER LE FILTRE À AIR (Fig. 18A, B)

Contrôler l'état du filtre à air toutes les 25 heures du travail. Remplacer le filtre obligatoirement toutes les 100 heures du travail ou plus tôt s'il est encrassé.

Desserrer l'élément de fixation A du couvercle du filtre à air B (Fig. 18B).

1. Ouvrir le capot B (Fig. 18B).
2. Sortir le filtre préliminaire C et le filtre à air D (Fig. 18B).
3. Si le filtre n'est pas encrassé :
  - tapoter le filtre à air D (Fig. 18B) sur une surface dure afin d'éliminer les saletés,
  - laver la partie éponge du filtre C (Fig. 18B) à l'eau avec du détergent,
  - essorer la partie éponge dans un chiffon propre,
  - ne imbiber la partie éponge du filtre avec de l'huile à moteur.
4. S'il est détérioré ou endommagé, le remplacer.
5. Remettre en place tous les éléments du filtre à air, remettre en place son couvercle et le fixer.

### RÉGLAGE DES CORDES

Pendant l'utilisation de la tondeuse, les cordes peuvent subir un allongement ou un rétrécissement. Il faut alors les vérifier et les régler, si nécessaire (si le réglage est disponible). Pour cela, desserrer le petit écrou de fixation 1 (Fig. 19), puis, selon les besoins :

1. tourner l'écrou de réglage 2 (Fig. 19) dans le sens contraire aux aiguilles d'une montre : une corde se rétrécit,
2. tourner l'écrou de réglage 2 (Fig. 19) dans le sens des aiguilles d'une montre : une corde s'allonge.

### GRAISSAGE

Pour graisser la crémaillère de la roue motrice arrière 8 (Fig. 1) :

1. Démontez l'enjoliveur de la roue motrice arrière en le tournant vers la gauche (sens contraire aux aiguilles d'une montre).
2. Desserrer l'écrou de la roue motrice avec une clef 13 mm.
3. Démontez la roue motrice de l'essieu.
4. Démontez la bague Seger 24 (Fig. 20), et ensuite démontez la crémaillère 25 (Fig. 20) du rouleau de l'engrenage 27 (Fig. 21).
5. Enlever les résidus de graisse usée de la crémaillère, du transfert de la traction 26 (Fig. 21) et du rouleau de l'engrenage, les graisser délicatement. La graisse préconisée pour ces opérations, c'est la graisse pour les engrenages angulaires de MURRAY.



**Attention ! Graisser la crémaillère du côté intérieur 25 (Fig. 21). Ne pas graisser les bouts extérieurs de la crémaillère de traction et de la roue motrice.**

6. Pour assembler le mécanisme de traction de la tondeuse, refaire ces opérations dans l'ordre inverse.

## **TRANSPORT**

### **PRÉPARER LE TRANSPORT**

- Avant le transport de la tondeuse, vindager l'huile, et puis : refroidir le moteur, vidanger le réservoir de carburant, le carburateur et les tuyaux de carburant.
- La machine doit être transportée en position de travail, soit un angle de 15 degré au maxi par rapport à l'horizontale.
- Le guidon peut être rabattu.



**Attention ! Soyez prudent lors de plier et déplier le guidon car cela peut détériorer les cordes. Les cordes défectueuses peuvent causer un mauvais fonctionnement de la tondeuse et, dans certains cas, pénaliser la sécurité de l'utilisation de la machine.**



**RÉVISIONS, DIAGNOSTIQUER LES PROBLÈMES****RÉVISIONS**

Révisions		Avant toute utilisation	Après 5 heures de travail	Après toutes les 25 heures de travail ou une fois par saison	Avant stockage	Toutes les 100 heures de travail	Après chaque utilisation
Huile à moteur	vérifier	x					
	vidanger		x (uniquement la première vidange)	x			
Filtre à air	vérifier	x					
	nettoyer		x				
	remplacer			x			
Bougie d'allumage	vérifier			x			
	remplacer					x	
Couteau	vérifier	x					
	affûter			x			
Réglage des cordes	vérifier		x				
Adaptateur	vérifier	x					
Protection de la traction	vérifier		x				
Assemblages filetés	vérifier	x			x		
Carburant	vérifier	x					
	vidanger				x		
Dessous de la tondeuse	nettoyer		x				x
	effectuer la maintenance				x		
Graissage	effectuer			x	x		
Soupapes	vérifier / régler			x			
<b>Si un contrôle est réalisé tous les ans ou avant la saison auprès du SAV, cela permettra d'éviter des problèmes au cours de la saison.</b>							

**RÉPARER LES PANNES**

Problème	Cause possible	Solution du problème
La machine ne démarre pas.	Il manque d'essence.	Vérifier le niveau de carburant, en rajouter, si nécessaire.
	Bougie d'allumage indondée ou défectueuse.	Vérifier, nettoyer ou remplacer la bougie d'allumage.
	Interruption dans le système d'allumage ou système d'alimentation encrassé.	Faites réparer la tondeuse par le centre de service matériel de jardinage, il est préférable de confier la tondeuse au service MURRAY.

Problème	Cause possible	Solution du problème
Fonctionnement irrégulier du moteur.	Filtre à air encrassé.	Remplacer ou nettoyer le filtre.
	Carburant de mauvaise qualité	Vidanger le carburateur avec la vis d'évacuation, rajouter du mélange frais.
	Tuyau de carburant obstrué, carburant manquant ou vieux.	Nettoyer le tuyau de carburant, vérifier son alimentation, rajouter du carburant.
	De l'eau, de l'huile ou des saletés dans le système d'alimentation.	Vidanger le carburateur avec la vis d'évacuation, rajouter du mélange frais.
	Carburateur indondé d'huile après avoir posé la tondeuse sur le côté.	Nettoyer le carburateur.
Le moteur s'éteint.	Mauvais réglage de la codre du frein.	La régler.
	Filtre à air encrassé.	Le remplacer.
	Silencieux indondé d'huile après avoir posé la tondeuse sur le côté.	Rajouter d'huile et démarrer la tondeuse pour 15 min. pour brûler l'huile.
Vibrations excessives.	Adaptateur du couteau détérioré.	Le remplacer.
	Arbre moteur courbé (après un choc).	Arrêter immédiatement le moteur et enlever le capuchon de la bougie d'allumage. Resserrer toutes les vis et effectuer les réparations nécessaires. Si les vibrations persistent, s'adresser à un SAV concessionnaire.
Les fumées se dégagent du moteur.	Assemblages des sous-ensembles desserrés.	
L'herbe n'est pas évacuée vers le bac de ramassage.	L'herbe est trop haute.	Tondre à deux reprises.
	Herbe humide.	Ne pas tondre.
	Couteau installé à l'envers ou usagé.	L'installer bien ou le remplacer.
	Châssis de la tondeuse encrassé.	Le nettoyer.
	Bac de ramassage encrassé.	Le vider et nettoyer.
	Le moteur tourne trop au ralenti.	Faire régler les tours auprès du SAV concessionnaire.
La attraction des roues est non fonctionnelle (tondeuse autotractée).	Courroie de distribution usagée ou défectueuse.	La remplacer.
	Dépôts d'herbe coupée.	Nettoyer le mécanisme de transfert de la traction.
	Mauvais réglage de la corde de traction.	Régler la corde de traction.
	Mécanisme de protection de la traction usagé.	Remplacer la roue dentée.

### **GARANTIE ET SAV**

Ce produit n'est prévu que pour un emploi non professionnel (comme un hobby). Si vous l'utiliser à d'autres fins (lucratives, professionnelles), cela donnera lieu à une perte de la responsabilité du matériel acheté de la part du garant. Pour les renseignements à propos de la garantie et du réseau du SAV de MURRAY, voir la fiche de garantie jointe.

**DÉCLARATION DE CONFORMITÉ****Déclaration de conformité CE**

Fabricant :

dénomination : NAC Sp. z o.o.  
adresse : Al. Krakowska 39, 05-090 Raszyn, Pologne

déclare sous son entière responsabilité que la machine suivante :

nom : Tondeuse thermique  
modèle : EQ2-700X  
numéro de série : 033 22 2490745490 9000 000001 – 033 25 2490745490 9000 999999

répond aux exigences essentielles :

- de la directive machines MD 2006/42/EC,
- de la directive relative à la compatibilité EMC 2014/30/UE,
- de la directive relative au bruit NEE 2000/14/EC annexe VI et 2005/88/EC,

répond aux exigences prévues par les normes harmonisées suivantes :

- EN ISO 5395-1:2013+A1,
- EN ISO 5395-2:2013+A1+A2,
- AfPS GS 2014:01 PAK,
- EN ISO 14982:2009,
- EN ISO 3744:1995,
- ISO 11094:1991

et répond aussi aux exigences de :

- 2016/1628/EU.

2000/14/EC: procédure d'évaluation de la conformité mise en place selon l'annexe VI

- niveau maxi de puissance acoustique mesuré : LWA est de 94 dB(A),
- niveau de puissance acoustique garanti : LWA est de 98 dB(A).

Les procédures d'évaluation de la conformité ont été réalisées selon la NEE 2000/14/EC avec la participation d'une unité notifiée.

dénomination : TÜV Rheinland LGA Products GmbH  
adresse : Tillystrasse 2, 90431 Nürnberg, Germany  
numéro d'identification : 0197

Lieu de dépôt et de conservation du Dossier technique :

NAC Sp. z o.o.  
Al. Krakowska 39,  
05-090 Raszyn

Jarosław Malinowski  
Directeur technique et de la certification

Raszyn, le 30 novembre 2021

# GARANTIE

*Madame, Monsieur,*

*Nous vous remercions d'avoir acheté notre produit, nous vous félicitons d'avoir bien choisi. Pour la conception et la fabrication de cet équipement, nous avons mis en place des technologies les plus récentes et il répond à toutes les exigences en ce qui concerne sa qualité et sa fiabilité tout en restant respectueux de l'environnement.*

*Nous vous rappelons qu'avant de procéder à son emploi, vous êtes tenu de prendre connaissance des procédures de démarrage de l'équipement et de son utilisation. Pour ces procédures, voir le Mode d'emploi fourni avec l'équipement.*

*Notre réseau de SAV professionnel est à votre disposition pour tous les conseils techniques et utilitaires.*

*Pour la liste des SAV et pour les conseils du SAV, voir le site : **[www.murray.com](http://www.murray.com)***

## **CONDITIONS DE LA GARANTIE**

En Pologne, le garant est NAC Sp. z o. o.

1. La société NAC garantit un bon fonctionnement de la machine Murray en respect des conditions techniques et utilitaires prévues par son Mode d'emploi.
2. L'équipement est garanti pendant 24 mois (pour les consommateurs, soit les personnes physiques accomplissant un acte juridique avec un entrepreneur non lié directement à son activité commerciale ou professionnelle) ou pendant 12 mois (pour les entrepreneurs, soit les personnes physiques, les personnes morales et les unités d'organisation exerçant une activité commerciale ou professionnelle). Une fois la période de garantie écoulée, l'exploitant pourra faire réparer son équipement à titre onéreux.
3. Tous les défauts constatés pendant la durée de la garantie dus aux vices des matériaux, aux vices de montage ou de fabrication, seront réparés à titre gratuit.
4. Pour pouvoir jouir de la garantie, il est nécessaire de produire une preuve d'achat du matériel fournie par le Revendeur concessionnaire du matériel de MURRAY accompagnée de la présente fiche de garantie fournie par le Revendeur Concessionnaire de MURRAY. Toutefois il sera impossible de jouir de la garantie lorsque la fiche de garantie sera attestée/tamponnée par une entreprise qui n'est pas un Revendeur Concessionnaire de MURRAY. Cette garantie s'applique sur le territoire polonais exclusivement.
5. Les défauts couverts par la garantie seront réparés dans un délai de 14 jours ouvrables à compter de la date de réception du matériel par un SAV Concessionnaire de MURRAY. Par exception, ce délai peut être prorogé jusqu'à 30 jours.
6. Ce délai pourra être prorogé avant tout lorsqu'il est nécessaire d'assurer une vérification/une expertise supplémentaire ou en cas de force majeure rendant impossible de respecter le délai telle qu'une inondation, un incendie, une grève, les catastrophes naturelles, des restrictions d'importation etc. Il s'agit des circonstances dont le Garant ne peut pas être tenu pour responsable.
7. La garantie ne couvre pas les opérations telles que : le montage, la maintenance, l'entretien, les réglages périodiques et le nettoyage, et aussi les révisions, vidanger l'huile et remplacer les filtres avec les matériaux et les pièces nécessaires pour effectuer les opérations susmentionnées. Ces opérations peuvent être effectuées à titre onéreux.
8. Pour réparer les défauts ou les détériorations, l'équipement avec une preuve de son achat et une fiche de garantie en cours de validité doit être fourni au SAV Concessionnaire le plus proche ou bien vous pouvez profiter du système « door to door » ou jusqu'au lieu d'achat. Nettoyer l'équipement avant de le fournir au SAV. Un SAV/magasin peut refuser de réparer un équipement qui n'est pas nettoyé. Pour un équipement à envoyer, avant de le rendre disponible à une société d'envoi express ou au vendeur, vidanger impérativement les consommables (carburant et huile). Assurer un emballage qui permettra de le transporter en toute sécurité, il est préférable d'utiliser son emballage d'origine.
9. La méthode de réparation est déterminée par le garant. Le garant n'est pas obligé d'assurer un équipement de remplacement pour la durée de la réparation.
10. Pour pouvoir jouir de la garantie, l'équipement doit être bien utilisé, maintenu et entretenu en respect de son mode d'emploi.
11. L'exploitant doit immédiatement cesser d'utiliser un équipement défectueux. Sinon, cela peut causer d'autres défauts et être à la source d'un danger pour la santé ou la vie de l'exploitant ou des tiers.
12. La garantie ne s'applique pas aux vices dus : aux défauts mécaniques, à une mauvaise utilisation, aux modifications et aux réparations non autorisées. Cela s'applique aussi à la mise en place et à l'utilisation des pièces, des filtres, des graisses, des huiles, des carburants non autorisés.
13. Si les plombs de garantie ou la plaque signalétique comportant le numéro de série sont détériorés, la garantie pourra être refusée.
14. La garantie ne s'applique pas aux défauts dus à un coup de foudre, un incendie, une inondation et d'autres catastrophes naturelles.
15. La garantie ne s'applique pas aux consommables et aux pièces d'usure qui doivent être contrôlés par l'exploitant tels que : les ampoules, les filtres, les bougies d'allumage, les roues motrices, les couteaux et les lames, les supports des couteaux, les têtes à fil de nylon, les chaînes de coupe, les guidages des chaînes, les cordes de commande, les languettes et les chavilles de surcharge.
16. NAC ne reste pas responsable des dommages, des pertes ou des frais, directs ou indirects, dus à l'utilisation ou à l'impossibilité d'utiliser l'équipement à d'autres fins.
17. Si avant de procéder à la réparation, il s'avère nécessaire d'assurer la maintenance, il est possible de s'adresser au SAV/revendeur qui pourra les assurer à titre onéreux si l'exploitant/client soumettant une réclamation l'accepte.
18. Si au cours de la réparation, il s'avère être nécessaire de remplacer les dispositifs de sécurité de l'utilisation ou des tiers (tels que les lames, les chaînes, les guidages, les protections des éléments de coupe et autres dispositifs de sécurité), le SAV est tenu à les remplacer même si l'exploitant/client soumettant une réclamation devra en supporter les frais. En cas de refus de celui-ci, le SAV restitue le produit sans procéder aux réparations.
19. La garantie ne s'applique pas à d'éventuels dommages causés aux biens ou aux personnes.
20. La garantie pour la marchandise venue n'exclut pas, ne restreint pas ni ne suspend pas les droits d'un acheteur personne physique découlant des dispositions relatives à la garanties des vices des biens vendus.

**FICHE DE GARANTIE**

.....  
Nom de l'équipement \*

.....  
Modèle \*

.....  
Date de vente \*

.....  
N° d'usine de l'équipement \*

.....  
N° d'usine du moteur

Je déclare avoir pris connaissance du Mode d'emploi et de la Fiche de garantie. Je déclare avoir reçu l'équipement acheté en bon état de marche avec une preuve d'achat.

Signature de l'acheteur en toutes lettres .....

.....  
Cachet et signature du vendeur en toutes lettres\*<sup>1</sup>

\* À remplir par le vendeur

\*<sup>1</sup> **Je déclare être Revendeur Concessionnaire de MURRAY.**

Une peine pourra être appliquée pour toute fausse déclaration faite par une entité qui n'est pas Revendeur Concessionnaire de MURRAY en vertu de l'art. 271 et de l'art. 286 du Code pénal.

N°	Dates	N° de procès-verbal de la réparation	Cachet du réparateur
	Date d'ordre de réparation		
	Date de fin de la réparation / Date de restitution de l'équipement		
	Date d'ordre de réparation		
	Date de fin de la réparation / Date de restitution de l'équipement		
	Date d'ordre de réparation		
	Date de fin de la réparation / Date de restitution de l'équipement		
	Date d'ordre de réparation		
	Date de fin de la réparation / Date de restitution de l'équipement		
	Date d'ordre de réparation		
	Date de fin de la réparation / Date de restitution de l'équipement		

L'original du procès-verbal de la réparation équivaut à une mention portée dans la fiche de garantie.



**Attenzione! Prima di procedere al montaggio o all'utilizzo, prendere visione delle presenti Istruzioni per l'uso.**

**Il dispositivo è destinato all'uso nelle zone interno a casa.**

**L'impiego del dispositivo per scopi professionali, semi professionali o di guadagno comporta la decadenza della garanzia.**

Istruzioni originali, emissione 1/2022

Le presenti istruzioni sono da considerare parte integrante del dispositivo. Devono essere conservate in un luogo idoneo, facilmente accessibile. Occorre ricordare che in caso di rivendita o di cessione del dispositivo ad un'altra persona, è necessario consegnare le istruzioni al nuovo proprietario o utente.

## **INDICE**

Indice	103
Dati tecnici	104
Descrizione delle pagine grafiche e dei pittogrammi	104
Norme di sicurezza per macchine e dispositivi con motore a scoppio	105
Norme generali di sicurezza	106
Norme specifiche in materia di sicurezza	109
Sicurezza e responsabilità del produttore	112
Rischi residui	112
Utilizzo	112
Preparazione al lavoro	113
Costruzione del rasaerba a scoppio	113
Uso	115
Manutenzione	117
Trasporto	120
Ispezione e individuazione dei problemi	121
Garanzia e assistenza	122
Dichiarazione di conformità	123
Termini di garanzia	125
Certificato di garanzia	126

**DATI TECNICI**

<b>Modello</b>	<b>EQ2-700X</b>
Motore	B&S 750EX DOV
Tipo di motore	monocilindrico, a quattro tempi, raffreddato ad aria, DOV
Combustibile	benzina senza piombo 95 Pb
Cilindrata	161 cc
Potenza nominale della macchina	2,61 kW – 2900 giri / min
Coppia massima	9,5 Nm – 2400 giri / min
Massima velocità di rotazione	2900 giri / min
Capacità del serbatoio carburante	1 L
Capacità della coppa dell'olio	0,6 L
Alloggiamento	in acciaio
Capacità del cesto	75 L
Larghezza di taglio	56 cm
Altezza di taglio	25-75 mm, 6 livelli di regolazione
Livello di potenza sonora garantito LWA	98 dB (A)
Livello di pressione acustica LpA	LpA=82,5 dB (A), K=3 dB (A)
Valore delle vibrazioni trasmesse dalla macchina che agiscono sugli arti superiori dell'operatore	ahv=5,569 m/s <sup>2</sup> , K=1,5m/s <sup>2</sup>
Massa della macchina	34,1 kg
Anno di produzione	2022

Il dispositivo comprende:

- rasaerba a scoppio,
- cesto,
- bulloni, dadi,
- manuale d'uso,
- certificato di garanzia,
- termini di garanzia,
- dichiarazione CE di conformità.

**DESCRIZIONE DELLE PAGINE GRAFICHE E DEI PITTOGRAMMI**

Pittogrammi pagina 2.A

1. Attenzione! Pericolo. Prestare particolare attenzione.
2. Importante! Leggere le istruzioni e seguire le avvertenze.
3. Pericolo di lesioni dovuto agli oggetti lanciati dalla macchina in funzione. Mantenere le distanze da altre persone.
4. Mantenere una distanza di sicurezza dagli edifici.
5. Non tagliare l'erba sui pendii.
6. Attenzione: Scollegare la pipetta con il cavo ad alta tensione dalla candela prima di procedere alla manutenzione e/o alla riparazione.
7. Il dispositivo deve essere tenuto fuori dalla portata dei bambini.
8. Divieto di lavoro sotto la pioggia.
9. Attenzione: Tenere le mani ed i piedi lontano dalle lame dei coltelli.
10. Non lavorare mai se lo sportello di scarico del cesto è sollevato. Gli oggetti raccolti dalle lame del rasaerba possono essere pericolosi.
11. Prima di iniziare il lavoro è necessario ispezionare e pulire il terreno.



12. Gli estranei non devono sostare in vicinanza del rasaerba in funzione.
13. Attenzione: Tenere le mani e i piedi lontano dalle parti rotanti.
14. Prima di iniziare la pulizia, la riparazione o il controllo della macchina, assicurarsi che la lama e tutte le parti in movimento si siano completamente arrestate.
15. Pericolo di incendio o esplosione. La benzina è facilmente infiammabile.
16. Attenzione: La superficie calda può causare ustioni.
17. Indossare occhiali protettivi.
18. Usare cuffie antirumore.
19. Indossare guanti di protezione.
20. Indossare scarpe antifortunistiche.
21. Attenzione! Motore a quattro tempi, non mescolare la benzina con l'olio. La macchina ha due serbatoi e bocchettoni di riempimento dell'olio e benzina separati.
22. Dopo lo spegnimento del motore la lama continua a girare per qualche secondo. Non trasportare il rasaerba con lame non completamente ferme.
23. Attenzione: I gas di scarico sono nocivi alla salute. C'è il rischio di avvelenamento o soffocamento. Non utilizzare il dispositivo in ambienti chiusi.
24. Non gettare via l'apparecchiatura usurata. L'utilizzatore ha l'obbligo di conferire l'apparecchiatura usurata ad un apposito centro di raccolta per il riciclaggio dei rifiuti.

#### **ALTRA MARCATURA DELLA MACCHINA**

1. Targhetta d'identificazione (pagina 2.B).

La targhetta di identificazione è posizionata nella parte posteriore dell'alloggiamento del rasoerba. Le informazioni contenute sulla targhetta sono indispensabili per l'identificazione dei pezzi di ricambio appropriati e delle operazioni di manovra.

2. Livello di potenza sonora garantito (pagina 2.C).
3. Avvertenze e altra segnaletica (pagina 2. D).

#### **NORME DI SICUREZZA PER MACCHINE E APPARECCHIATURE CON MOTORE A SCOPPIO**



##### **Avvertenza!**

- Leggere attentamente le istruzioni. Prendere visione delle norme di sicurezza, dei sistemi di controllo e delle regole per il corretto utilizzo del dispositivo.
- •'inosservanza delle seguenti avvertenze e delle istruzioni di sicurezza potrebbe causare scosse elettriche, incendi e / o lesioni gravi.
- Conservare queste istruzioni per future consultazioni.
- Questa apparecchiatura non è destinata ad essere utilizzata da parte di persone (inclusi i bambini) con capacità fisiche, sensoriali o mentali ridotte, o prive di esperienza o conoscenza dell'attrezzatura, a meno che non sia eseguito sotto la supervisione o in conformità con le istruzioni per l'uso dell'attrezzatura fornite da persone responsabili della loro sicurezza.
- Non permettere che il dispositivo venga utilizzato da bambini, giovani sotto i 16 anni di età e da persone che non conoscono le istruzioni per l'uso del dispositivo.

## **NORME GENERALI DI SICUREZZA**

### **SICUREZZA SUL LUOGO DI LAVORO**

- Mantenere l'area lavoro ordinata e ben illuminata. Il disordine e la scarsa illuminazione contribuiscono agli incidenti.
- Tenere i bambini e gli osservatori lontani dai luoghi in cui vengono utilizzati dispositivi con motore a scoppio. La distrazione può causare la perdita del controllo sul dispositivo. L'attrezzatura da giardino deve essere lasciata lontano dagli astanti.
- L'operatore o l'utilizzatore è responsabile degli incidenti o dei pericoli in cui possono incorrere le altre persone o che possono insorgere nell'area circostante.

### **SICUREZZA DURANTE IL LAVORO CON IL CARBURANTE**

- Il motore a scoppio è adibito al funzionamento con benzina o con miscela carburante (vedi tipo del carburante in dati tecnici del dispositivo).
- La benzina deve essere conservata solo in appositi contenitori (taniche).
- Conservare la benzina lontano dagli agenti che possono causare incendi ad esempio falò, fiamma libera, laddove si verificano scintille elettriche, elevata temperatura, scintille causate dalla saldatura o altre fonti di calore che possono provocare l'incendio del carburante.
- Riempire il serbatoio del carburante solamente all'aperto.
- È estremamente pericoloso fumare o usare fiamme libere mentre l'apparecchio è in funzione o durante il riempimento del serbatoio del carburante.
- Prima di riempire il serbatoio del carburante, è necessario spegnere e raffreddare il motore.
- Non riempire il serbatoio oltre il bordo inferiore del bocchettone di riempimento, la benzina ha un'elevata dilatazione termica.
- In caso di fuoriuscita del carburante, pulire immediatamente la benzina versata con un panno asciutto.
- Durante il riempimento del serbatoio del carburante, fare attenzione a non versare carburante sugli indumenti. Gli indumenti impregnati di benzina possono prendere fuoco, quindi cambiarli immediatamente.
- Dopo aver riempito il serbatoio del dispositivo con il carburante, serrare bene il tappo e prima di avviare il motore, spostare la tanica con il carburante in un luogo che si trova ad almeno 3 m di distanza dal luogo in cui è stato eseguito il riempimento.
- Prima di avviare il motore, controllare la tenuta dell'intero sistema di alimentazione del carburante, in particolare del serbatoio del carburante, dei tubi carburante, dei giunti, del tappo del serbatoio e dell'area del carburatore. Non avviare il motore in caso di rilevamento di una perdita nell'impianto di alimentazione carburante poiché potrebbe causare un incendio.
- Il dispositivo non deve funzionare in atmosfere esplosive create da liquidi, gas o polveri infiammabili. Il motore a combustione può generare scintille che possono accendere la polvere o i vapori.
- Non utilizzare il dispositivo se ci sono problemi con lo spegnimento. Qualsiasi apparecchiatura che non può essere disattivata è pericolosa e deve essere riparata.
- Non tenere la macchina al chiuso con il serbatoio del carburante pieno. I vapori sono facilmente infiammabili e pericolosi per la salute.

**Attenzione!**

- Evitare di inalare vapori di benzina e gas di scarico. Benzina, vapori di benzina e gas di scarico possono causare avvelenamento.
- Non avviare il rasaerba in spazi chiusi o scarsamente ventilati. In caso di mal di testa, nausea, disturbi dell'udito o della vista, interrompere immediatamente il lavoro.

**SICUREZZA PERSONALE**

- È importante essere previdenti, osservare quello che si sta facendo e usare il buon senso durante l'utilizzo dell'attrezzatura. Non utilizzare l'attrezzatura quando si è stanchi o sotto l'effetto di droghe, alcol o farmaci. Un attimo di disattenzione durante il lavoro può causare gravi lesioni personali.
- Utilizzare dispositivi di protezione individuale. Indossare sempre occhiali protettivi. L'uso di dispositivi di protezione individuale quali una maschera antipolvere, scarpe antiscivolo, elmetto o protezione per l'udito, nelle condizioni appropriate, ridurrà le lesioni personali.
- Prima di avviare l'attrezzatura, è necessario rimuovere tutti gli oggetti e le chiavi. Una chiave lasciata nella parte rotante della macchina può provocare lesioni personali.
- Durante l'utilizzo dell'apparecchio occorre sempre stare saldi e mantenere l'equilibrio. Ciò consentirà un migliore controllo in situazioni imprevedibili.
- Vestirsi in modo adeguato. Non indossare abiti larghi o gioielli. Tenere capelli, vestiti e guanti lontano dalle parti in movimento. Gli abiti larghi o gioielli potrebbero rimanere impigliati nelle parti in movimento.
- Durante il lavoro utilizzare manici aggiuntivi, se presenti, per tenere l'utensile. La perdita del controllo dell'utensile comporta il rischio di lesioni personali.
- Non utilizzare il dispositivo se ci sono problemi con lo spegnimento. Qualsiasi apparecchiatura che non può essere disattivata è pericolosa e deve essere riparata.



**Attenzione! Nonostante la struttura intrinsecamente sicura, l'uso delle misure di sicurezza e dei dispositivi di protezione aggiuntivi, rimane sempre il rischio residuo di lesioni personali durante il lavoro.**

**UTILIZZO E CURA DELL'ATTREZZATURA**

- Non sovraccaricare il dispositivo. Utilizzare il dispositivo con una potenza adeguata al lavoro da eseguire. Un'attrezzatura opportunamente selezionata consentirà un lavoro migliore e più sicuro, sotto il carico per il quale è stata progettata.
- Conservare l'attrezzatura non utilizzata fuori dalla portata dei bambini. Non consentire a persone che non hanno familiarità con il dispositivo o con le istruzioni di utilizzare l'apparecchiatura. I dispositivi e le apparecchiature con motore a scoppio sono pericolosi nelle mani di utenti non addestrati.
- I dispositivi con motore a scoppio richiedono una manutenzione. Occorre verificare l'allineamento o l'inceppamento delle parti in movimento, presenza di rotture o qualsiasi altro fattore che possa influire sul funzionamento della macchina. Se si riscontrano danni, l'apparecchiatura deve essere riparata prima dell'uso. Molti incidenti sono causati da attrezzatura con una manutenzione/riparazione inadeguata.

- Prima di utilizzare il dispositivo, tutte le parti difettose, usurate e danneggiate devono essere sostituite. Sostituire le etichette di avvertenza sul dispositivo nel caso in cui siano danneggiate o illeggibili.
- Gli adesivi di avvertenza ed i pezzi di ricambio possono essere ordinati presso il Centro di assistenza MURRAY e presso i rivenditori autorizzati.
- Il dispositivo con motore a combustione interna, l'attrezzatura, gli utensili di lavoro, ecc. devono essere utilizzati in conformità al presente manuale, tenendo in considerazione le condizioni operative e l'attività da eseguire. L'uso dell'utensile per operazioni diverse da quelle per cui è stato destinato può provocare situazioni pericolose.

### **MANIPOLAZIONE ED UTILIZZO DI UTENSILI DOTATI DI BATTERIA**

- Prima di inserire le batterie nell'utensile, assicurarsi che il suo interruttore di accensione/spengimento sia in posizione "spento". L'inserimento delle batterie nell'apparecchio con l'interruttore on/off in posizione "on" può provocare gravi lesioni personali.
- Utilizzare esclusivamente la batteria raccomandata dal produttore. L'utilizzo del caricabatterie per caricare altri tipi di batterie può provocare un incendio.
- Non utilizzare mai batterie diverse da quelle consigliate dal produttore. L'uso di altre batterie può causare lesioni gravi o incendi.
- Quando il dispositivo non viene utilizzato, la batteria deve essere rimossa. La batteria deve essere tenuta lontana da oggetti in metallo come: graffette, monete, chiodi, viti, ecc., che potrebbero provocare un cortocircuito tra i morsetti della batteria. Il cortocircuito tra i morsetti della batteria può causare ustioni o incendi.
- In condizioni estreme è possibile che il liquido fuoriesca dalla batteria. Evitare assolutamente il contatto. In caso di contatto accidentale con il liquido - sciacquare immediatamente con acqua. Se il liquido entra in contatto con gli occhi, consultare immediatamente un medico. Il liquido fuoriuscito dalla batteria può provocare irritazioni o ustioni.
- È vietato utilizzare caricabatterie e alimentatori all'aperto e in ambienti con elevata umidità, come bagni o scantinati.



**Attenzione! I caricabatterie e gli alimentatori per utensili a batteria sono progettati per uso all'interno in ambienti asciutti.**

**Pericolo di scosse elettriche e / o danni al dispositivo.**

### **RIPARAZIONE**

- Prima di effettuare qualsiasi regolazione, sostituzione di parti o immagazzinamento, rimuovere il cavo dalla candela di accensione. Tali misure di sicurezza preventive riducono il rischio di avviamento accidentale.
- Le riparazioni devono essere effettuate da una persona qualificata, usando esclusivamente ricambi originali. Ciò garantisce che la sicurezza dell'utensile venga mantenuta. Si consiglia di affidare ogni servizio a un centro di assistenza MURRAY autorizzato.



**Attenzione!** Pericolo di soffocamento per i bambini durante il gioco con l'imballo. L'imballaggio, in particolare un sacchetto di alluminio, deve essere tenuto fuori dalla portata dei bambini.

## **NORME DI SICUREZZA SPECIFICHE PER RASAERBA**



### **Avvertenza!**

- Fare attenzione ai bordi affilati dei coltelli. Dopo lo spegnimento del motore i coltelli continuano a girare.
- Utilizzare il rasaerba solo in buone condizioni tecniche e, se necessario, eseguire le operazioni indispensabili o contattare il servizio. Si consiglia di utilizzare i servizi di un centro di assistenza MURRAY autorizzato.
- Prima di ogni avviamento verificare che:
  - il dispositivo sia stato montato in conformità con le istruzioni;
  - l'utensile di taglio e l'intero gruppo di taglio (lama di taglio, dispositivi di fissaggio, alloggiamento del gruppo di taglio) siano in buone condizioni tecniche; il loro fissaggio, danneggiamento e usura (ammaccature o crepe) devono essere controllati regolarmente;
  - i dispositivi di sicurezza (ad esempio protezione contro lo scarico, alloggiamento, maniglia dello sterzo, leva del freno motore) siano in buone condizioni e funzionino correttamente;
  - il cesto di raccolta sia integro e installato correttamente, non utilizzare il cesto di raccolta danneggiato.
- Il rasaerba non deve essere acceso se la lama non è montata correttamente. Pericolo di vibrazioni pericolose!
- Gli utensili di taglio devono essere affilati e puliti. Una manutenzione adeguata degli spigoli vivi degli utensili da taglio riduce la probabilità di inceppamenti e facilita la loro manipolazione.
- Prima di effettuare regolazioni, pulizia e manutenzione, è necessario spegnere il dispositivo e rimuovere il cavo di alta tensione dalla candela,
- Non tagliare erba quando altre persone, in particolare bambini o animali domestici, si trovano nelle vicinanze.
- Non avviare il rasaerba danneggiato.
- Non toccare i coltelli finché l'attrezzatura non è stata spenta e i coltelli non sono completamente fermi.
- Non sollevare o trasportare la macchina con il motore acceso.
- Spegnere il rasaerba e rimuovere il cavo ad alta tensione dalla candela quando:
  - l'attrezzatura viene lasciata incustodita,
  - prima di regolare la serratura,
  - prima di controllare, pulire o riparare il dispositivo,
  - dopo aver colpito un oggetto estraneo,
  - prima di pulire lo scarico,
  - in caso di vibrazioni eccessive.

### **PREPARAZIONE**

- Durante l'operazione di taglio indossare sempre scarpe resistenti e pantaloni lunghi, non utilizzare la macchina a piedi scalzi o con sandali aperti.
- Ispezionare attentamente l'area in cui verrà utilizzata la macchina e rimuovere tutte le pietre, rami, fili, ossa e altri oggetti estranei.
- Nell'erba alta è possibile che gli ostacoli (es. ceppi, radici) non vengano notati, quindi prima di iniziare a lavorare con il dispositivo, è necessario contrassegnare tutti gli ostacoli nascosti nell'erba che non possono essere rimossi.

- Prima dell'uso, controllare sempre che le lame, le viti e il gruppo dei coltelli non siano usurati o danneggiati. Sostituire i coltelli usurati o danneggiati in coppia al fine di mantenere l'equilibratura.
- In caso di dispositivo a coltelli multipli, fare l'attenzione poiché la rotazione di un coltello può provocare la rotazione di altri coltelli.

### **AFFILATURA DEL COLTELLO**

- Per assicurare le condizioni ottimali di funzionamento del rasaerba, il coltello deve essere affilato. Questa attività apparentemente semplice deve essere eseguita con particolare cura. Ciò richiede il possesso di elevata conoscenza tecnica e l'attrezzatura di servizio necessaria. Il produttore non è responsabile per eventuali danni al rasaerba dovuti ad un'affilatura dei coltelli eseguita in modo improprio. L'angolo consigliato è di 30°.
- È sicuro affidare l'affilatura del coltello ad un centro di assistenza MURRAY autorizzato.
- Prima di iniziare ad affilare, è necessario spegnere il rasaerba, attendere che il motore si raffreddi, rimuovere il cavo di alta tensione dalla candela, rimuovere la batteria e svitare il coltello se necessario.
- Il coltello può essere affilato a mano, con una pietra per arrotare o con una lima di metallo adatta, per eseguire l'affilatura è preferibile usare con un'affilatrice professionale, tenendo sempre in considerazione che la lama potrebbe surriscaldarsi, quindi non sarà adatta al lavoro. Si consiglia di utilizzare un liquido refrigerante per la lavorazione dei metalli, è accettabile utilizzare acqua, tenendo sempre in considerazione che non tutte le macchine affilatrici possono lavorare nel flusso di refrigerante. Una colorazione blu della superficie della lama indica un danno al coltello, che non deve essere più usato.
- Dopo ogni affilatura, il coltello deve essere assolutamente bilanciato. Nel caso in cui l'utente non disponga di un'equilibratrice e di una conoscenza adeguata, è necessario portare il coltello presso un servizio specializzato al fine di effettuare l'equilibratura. L'impiego di un coltello sbilanciato provoca vibrazioni eccessive e, di conseguenza, può causare l'allentamento delle connessioni bullonate dell'intero dispositivo, compreso il bullone di montaggio del coltello, che può essere pericoloso per la salute e la vita dell'utente.

### **UTILIZZO**

- Tagliare l'erba solamente alla luce del giorno o con una buona illuminazione artificiale.
- Non tagliare l'erba sotto la pioggia, in particolare durante temporali. Evitare di tagliare l'erba bagnata.
- Assicurarci sempre che le gambe siano ben salde sui terreni in pendenza.
- Camminare, non correre mai. Ricordarsi di mantenere sempre una posizione ferma e sicura.
- I rasaerba rotanti devono tagliare nel senso trasversale del pendio e mai nel senso di salita o discesa.
- Prestare particolare attenzione ai cambi di direzione sul pendio.
- Non tagliare l'erba sui pendii con eccessiva inclinazione.
- Prestare particolare attenzione durante la retromarcia o quando si tira la macchina verso di sé.
- Spegnere il dispositivo se deve essere inclinato o durante l'attraversamento di superfici non erbose o quando viene trasportato da e verso l'area di taglio.
- Prima di trasportare il rasaerba, lasciare raffreddare il motore, scaricare il carburante e l'olio.

- Non utilizzare la macchina se i ripari o alloggiamenti sono danneggiati oppure senza dispositivi di protezione, ad es. protezioni fissate e / o il cesto di raccolta.
- Avviare il motore secondo le istruzioni, assicurandosi che i piedi siano ben lontani dai coltelli.
- Non avviare il rasaerba quando è inclinato a meno che non sia necessario per l'avvio in erba alta. In questo caso, premendo sull'impugnatura, sollevare la parte anteriore del dispositivo, ma solo per quanto necessario, quindi abbassare lentamente il rasaerba a terra. Assicurarsi che durante l'intera operazione entrambe le mani tengano saldamente la maniglia.



**Attenzione!** I motori B&S non devono funzionare su pendenze superiori ai 15 °.

- Tenere mani e i piedi lontani dalle parti rotanti. In caso di rasaerba rotanti, assicurarsi che l'apertura di scarico non sia mai ostruita.
- Durante l'avvio del rasaerba con trazione, non tirare la leva di avviamento della trasmissione.

## MANUTENZIONE E IMMAGAZZINAMENTO



**Avvertenza!**

- Prima di iniziare qualsiasi intervento di riparazione o manutenzione, assicurarsi che il cavo di alta tensione del rasaerba sia scollegato dalla candela e che non vi siano bambini o terze persone nelle vicinanze.
- Ricordarsi che potrebbe esserci del carburante nel serbatoio del carburante della macchina. Le regole di sicurezza per la manipolazione con il carburante sono state descritte nella presente istruzione nella sezione: "Manipolazione sicura del carburante".
- Mantenere tutti i dadi, i bulloni e le viti in buone condizioni per garantire che il dispositivo funzioni in sicurezza. Controllare frequentemente il cesto di raccolta per rilevare eventuali segni di usura o danni.



Assicurarsi di utilizzare il tipo corretto di coltelli.

Dopo aver terminato il lavoro, pulire il rasaerba. Svuotare il serbatoio del carburante. Posizionare il rasaerba sull'impugnatura (candela d'accensione in alto). Con una spazzola pulire l'interno dell'alloggiamento del rasaerba da residui di erba e polveri e, se necessario, proteggere le parti in metallo con agenti anticorrosivi. È possibile pulire l'intero rasaerba con un panno umido e se necessario, proteggerlo con uno smalto per superfici verniciate.

Conservare il rasaerba in luogo asciutto, ben ventilato e privo di polvere. Controllare se il cesto di raccolta sia stato svuotato e adeguatamente pulito. L'erba in decomposizione può danneggiare il cesto.

Conservare il rasaerba solo in buone condizioni. In caso di necessità, prima dell'immagazzinamento, rimuovere i guasti.

Se il rasaerba è dotato di batteria, è necessario ricordare che le condizioni ottimali di conservazione per la batteria sono la temperatura compresa tra 10 e 21°C, bassa umidità dell'aria, batteria carica al 50%.

## IN CASO DI INCIDENTE O GUASTO

In caso di incidente è necessario fermare/spengere immediatamente la macchina e chiamare i soccorsi (se la situazione lo richiede).

In caso di guasto, arrestare / spegnere la macchina e contattare un centro di assistenza autorizzato per evitare guasti.

### **SICUREZZA E RESPONSABILITÀ DEL PRODUTTORE**

Qualsiasi uso del rasaerba in contrasto con la descrizione contenuta nelle presenti istruzioni è considerato improprio e il produttore non è responsabile per eventuali danni e guasti derivanti da tale comportamento.

Il corretto utilizzo del raserba comprende anche il rispetto delle condizioni di lavoro, manutenzione, immagazzinamento e riparazione stabilite dal costruttore.

Al fine di prevenire gli incidenti, è obbligatorio rispettare tutte le regole di utilizzo sicuro e di prevenzione dei pericoli.

Eventuali modifiche alla struttura del dispositivo apportate dall'utilizzatore possono pregiudicare la sicurezza d'uso della macchina ed esonerano il produttore da ogni responsabilità per eventuali danni o lesioni.

### **RISCHIO RESIDUO**

Sebbene il produttore sia responsabile per la progettazione del dispositivo volta a eliminare il pericolo, alcuni rischi che possono insorgere durante il funzionamento sono inevitabili. Il rischio residuo deriva da un comportamento scorretto dell'operatore del dispositivo.

Il più grande pericolo si verifica quando si eseguono le seguenti attività vietate:

- utilizzo del dispositivo da parte di bambini,
- uso del dispositivo per scopi diversi da quelli descritti nelle istruzioni,
- quando altre persone, in particolare bambini o animali, si trovano nelle vicinanze,
- utilizzo del dispositivo da parte di persone che non hanno familiarità con le istruzioni,
- utilizzo del dispositivo senza indumenti protettivi e calzature di sicurezza adeguati per l'operatore,
- utilizzo del dispositivo se i ripari o alloggiamenti sono danneggiati oppure senza dispositivi di protezione correttamente montati.

Osservando le raccomandazioni riportate nelle istruzioni, è possibile eliminare il rischio residuo durante l'utilizzo del dispositivo. Esiste il rischio in caso di mancato rispetto delle raccomandazioni di cui sopra.

### **UTILIZZO**

Il dispositivo è destinato esclusivamente per tagliare l'erba in conformità con la descrizione e con le norme di sicurezza contenute nelle presenti istruzioni. Qualsiasi altro impiego può rivelarsi pericoloso per gli utilizzatori e può danneggiare l'apparecchio.

La macchina non deve essere utilizzata, tra l'altro, per:

- raccogliere foglie o per pulire il terreno dalle piante secche,
- livellare cumuli di terra,
- potare cespugli,
- tritare rami.



## **PREPARAZIONE AL LAVORO**

Il rasaerba viene consegnato dal produttore in una scatola di cartone parzialmente smontata. Dopo aver preso visione delle istruzioni e dei disegni di montaggio, il montaggio del rasaerba non dovrebbe creare troppe difficoltà. Tutti i componenti necessari per il montaggio sono inclusi nella confezione. Questa istruzione si applica ai vari modelli del rasaerba. Il rasaerba in questione potrebbe differire da quello acquistato. Leggere i frammenti che si riferiscono al modello del dispositivo posseduto.

## **COSTRUZIONE DEL RASAERBA A SCOPPIO**

Le figure esplicative sono a pag. 3, Fig. 1-2

- 1 Impugnatura
- 2 Leva del freno motore
- 3 Leva di trasmissione con corda
- 4 Leva di bloccaggio
- 5 Maniglia di avviamento con corda
- 6 Punto di fissaggio del corda di avviamento
- 7 Cesto
- 8 Ruota posteriore
- 9 Dado di accoppiamento dell'impugnatura con l'alloggiamento
- 10 Allacciamento del sistema di lavaggio con acqua
- 11 Ruota anteriore
- 12 Coperchio del filtro dell'aria
- 13 Motore
- 14 Tappo di rabbocco del carburante
- 15 Tappo di rabbocco dell'olio
- 16 Silenziatore
- 17 Pipetta della candela d'accensione
- 18 Sportello di scarico laterale
- 19 Protezione di scarico laterale
- 20 Indicatore del livello di riempimento del cesto
- 21 Regolazione della corda
- 22 Protezione del cesto di scarico erba
- 23 Leva di regolazione dell'altezza di taglio

## **MONTAGGIO**

Il manico del raserba è stato impostato in fabbrica nella posizione di immagazzinamento.

- Impostare il manico inferiore nella posizione di utilizzo, assicurandosi che il manico si trovi tra i limitatori e serrarlo con il dado ad alette. (Fig. 3).
- Impostare il manico superiore nella posizione di utilizzo e bloccarlo con la leva di serraggio. Ruotando il dado, la lunghezza del bullone di serraggio della leva di serraggio viene modificata, aumentando o diminuendo la forza di serraggio. Il fissaggio avviene nel momento in cui il morsetto viene premuto contro il manico secondo la direzione mostrata con la freccia Sulla Fig. 4.



**Attenzione! Un eccessivo accorciamento del bullone mediante un dado può rendere impossibile il serraggio della leva di bloccaggio, e di conseguenza danneggiare la leva.**



**Attenzione! Durante le operazioni di smontaggio e montaggio del manico, prestare attenzione a non rompere o piegare la corda del freno motore. La corda piegata o danneggiata può impedire il corretto funzionamento del rasaerba.**

- Fissare la manopola della corda di avviamento 5 (Fig. 2) nel punto di fissaggio 6 (Fig. 2).



**Attenzione! La corda di avviamento esce con resistenza. Tirare verso di sé la leva del freno motore e, tirando lentamente, sfilare la corda fino alla lunghezza richiesta. È necessario ricordare che tirando energeticamente la corda si può provocare l'avvio del rasaerba.**

### RIEMPIMENTO DEL MOTORE CON OLIO

Il motore non è stato riempito d'olio in fabbrica. Nel motore potrebbero esserci le tracce di olio, rimaste dopo l'ispezione in fabbrica. Prima del primo avvio è necessario versare circa 0,6 litri dell'olio motore B&S SAE30 raccomandato (Fig. 6A) controllando il suo livello sull'asta integrata nel tappo di rabbocco dell'olio (Fig. 6B).

Il livello dell'olio deve essere compreso tra i segni: min. / max.

Si consiglia olio per rasaerba a scoppio originale della ditta B&S SAE30

Il primo cambio dell'olio deve essere effettuato dopo 5 ore di funzionamento del rasaerba, dopo aver bruciato circa due serbatoi di carburante. I successivi cambi d'olio devono essere effettuati ogni 25 ore di funzionamento, tuttavia, almeno una volta all'anno.

Svuotare l'olio usato quando il motore è ancora caldo.

Controllare regolarmente il livello dell'olio prima di ogni avvio del rasaerba.

Se necessario rabboccare l'olio.



**Attenzione! L'olio esausto non deve essere smaltito in modo accidentale, non deve essere scaricato nella rete fognaria o direttamente nell'ambiente. Dovrebbe essere conferito nel punto di smaltimento dell'olio.**

### RIFORNIMENTO DEL CARBURANTE

- Prima di usare, consultare le regole di sicurezza, utilizzo, manipolazione e conservazione contenute nelle presenti istruzioni per l'uso.
- Il carburante deve essere versato all'aperto, in un luogo privo di rischio di scintille o fiamme.
- La benzina deve essere conservata solo in contenitori approvati (taniche). Controllare regolarmente le condizioni dei contenitori di stoccaggio del carburante.
- I serbatoi del carburante devono essere chiusi in modo sicuro. Per motivi di sicurezza, i tappi del serbatoio del carburante danneggiati devono essere sostituiti.
- Non usare bottiglie per bevande o simili per conservare materiali di consumo, ad es. carburante oppure olio, poiché altre persone, in particolare i bambini, potrebbero berli.
- Riempire il serbatoio del carburante solo all'aperto; è vietato fumare durante il rifornimento.
- Prima di avviare il motore fare il rifornimento di benzina.
- Non rimuovere il tappo del serbatoio del carburante o aggiungere il carburante mentre il motore a combustione è in funzione o è caldo.
- Non riempire eccessivamente il serbatoio del carburante! A causa della dilatazione termica del carburante, il serbatoio non deve essere riempito oltre il bordo inferiore del bocchettone di riempimento.

- Il dispositivo non deve essere conservato al chiuso con il serbatoio del carburante pieno. I vapori di benzina generati possono entrare in contatto con una fiamma libera e incendiarsi. In caso di necessità svuotare il serbatoio del carburante, farlo all'aperto. Prima di avviare la macchina, assicurarsi che non ci sia carburante versato sopra o nelle vicinanze della macchina. Se necessario, pulire eliminando il carburante.



**Attenzione!** I vapori di benzina sono infiammabili. Prima di avviare il rasaerba assicurarsi che la macchina in funzione si trovi ad una distanza non inferiore a 3m dai serbatoi del carburante.

## **USO**

### **LEVA DEL FRENO**

Prima di avviare il motore, tirare la leva del freno 2 (Fig. 1) verso il manico 1 (Fig. 1) come mostrato in Fig. 8A.

Il rilascio della leva del freno arresta il motore e la lama tagliente.

### **AVVIAMENTO DEL MOTORE**



**Avvertimento!** Quando il motore è in funzione, le lame taglienti ruotano.

1. Controllare il livello dell'olio (Fig. 6B).
2. Riempire il serbatoio del carburante con benzina pulita senza piombo (Fig. 5). Assicurarsi che il cavo della candela sia collegato alla candela (Fig. 7A, B).
3. Stare dietro il rasaerba. Con una mano tenere la leva del freno 2 (Fig. 1) nella posizione di lavoro, come mostrato nella Fig. 8A.
4. Con l'altra mano, afferrare la manopola della corda di avviamento 5 (Fig. 2), come mostrato nella Fig. 8C.
5. Tirare leggermente la corda verso di sé, eliminare il gioco dell'avviamento e, quando si avverte resistenza, tirare la corda in modo deciso ed energico dopodiché lasciarla tornare lentamente al suo posto.
6. Non rilasciare la manopola della corda finché la corda non verrà rimessa dentro dal sistema di ritorno del meccanismo di avviamento.
7. Se il motore non si avvia dopo 5-6 tentativi, seguire le indicazioni descritte nel capitolo "Ispezione e diagnosi dei problemi".

### **FUNZIONAMENTO DI PROPULSIONE**

Per mettere in funzione il sistema di propulsione, tirare verso il manico 1 (Fig. 1) leva di azionamento 3 (Fig. 1), come mostrato nella Fig. 8B.

In ogni momento è possibile disattivare l'azionamento, rilasciando la leva di azionamento e far funzionare il dispositivo come il raserba senza azionamento.

### **REGOLAZIONE DELL'ALTEZZA DI TAGLIO**



**Attenzione!** Prima di cambiare l'altezza di taglio, è necessario arrestare il motore e scollegare il cavo della candela.

Per impostare l'altezza di taglio desiderata, modificare la posizione della leva di regolazione 23 (Fig. 2) situata sull'alloggiamento del raso erba (Fig. 9). È possibile scegliere tra 6 diverse altezze di taglio, comprese tra 25 e 75 mm.

## MONTAGGIO DEL CESTO DI RACCOLTA

1. Sollevare la protezione del cesto del rasaerba 22 (Fig. 2).
2. Inserire il cesto 7 (Fig. 1) agganciando i ganci posti all'appertura del cesto su un'apposita asta situata accanto alla protezione dell'uscita del rasaerba (Fig. 10), quindi abbassare la protezione.
3. Bisogna assicurarsi che i ganci siano fissati correttamente.



**Avvertimento!** Controllare frequentemente lo stato tecnico del cesto di raccolta. Se alcune parti sono usurate o danneggiate, devono essere sostituite con parti nuove, reperibili presso i punti di assistenza autorizzati.

## SVUOTAMENTO DEL CESTO DI RACCOLTA

**Avvertimento!** Prima di svuotare e rimuovere il cesto, è necessario arrestare il motore.

L'indicatore di livello di riempimento del cestello 20 (Fig. 2) consente un rapido controllo del livello di riempimento del cesto. Se la piastra dell'indicatore durante il funzionamento del rasaerba è sollevata (Fig. 11A), il cesto non è ancora pieno. Se la piastra dell'indicatore durante il funzionamento del rasaerba è in posizione orizzontale (Fig. 11B), il cesto è pieno e deve essere svuotato.

## PULIZIA DELL'ALLOGGIAMENTO DEL GRUPPO DI TAGLIO



**Avvertimento!** Quando il motore è in funzione, le lame taglienti ruotano.

1. Dopo aver terminato il lavoro, pulire accuratamente l'intero dispositivo.
2. Prima di pulire, è necessario arrestare il motore e scollegare il cavo della candela d'accensione.
3. Prima della pulizia svuotare il serbatoio del carburante.
4. Senza inclinare lateralmente il rasaerba, posizionarlo sul terreno, appoggiandolo sull'impugnatura, in modo che le ruote anteriori siano in aria.
5. Pulire la parte inferiore del rasaerba con una spazzola e acqua.

Non utilizzare dispositivi di pulizia ad alta pressione, poiché l'acqua ad alta pressione potrebbe rompere la protezione della vernice dell'alloggiamento. È vietato usare detergenti intensivi per pulizia e lavaggio, ad es. detergenti aggressivi, poiché potrebbero danneggiare la plastica e i metalli, compromettendo la sicurezza del dispositivo.

Un altro modo per pulire l'alloggiamento è l'uso del sistema di pulizia dell'alloggiamento.

Dopo aver collegato il tubo ad un apposito attacco rapido già installato nell'alloggiamento del rasaerba e dopo aver aperto l'acqua, mettere in funzione il rasaerba. La pulizia del dispositivo avviene durante la rotazione del coltello, che viene investito da un forte getto che risciacqua i residui rimanenti dell'erba. (Fig. 12)

## MONTAGGIO DELLA PROTEZIONE DI SCARICO LATERALE

Per montare la protezione di scarico laterale:

1. aprire lo sportello di scarico laterale 18 (Fig. 2) (per sbloccare lo sportello, ruotare prima la protezione dell'asse (Fig. 14A, B),
2. inserire la protezione di scarico laterale 19 (Fig. 2) come nella Fig. 14C,
3. appoggiare lo sportello di scarico laterale sulla protezione di scarico laterale (Fig. 14D).

## **FUNZIONE DI MACINATURA**

Il mulching (una pacciamatura) è un trattamento di cura che consiste in uno sminuzzamento dell'erba tagliata. Il sistema di mulching permette di rilasciarla, completamente o parzialmente, sul terreno, dove subisce il processo di decomposizione e fornisce sostanze nutritive.

Il terreno erboso soddisfa le condizioni per effettuare il mulching, se l'altezza dell'erba non supera 4 cm. Il prato, sul quale verrà eseguito il mulching, deve essere tagliato regolarmente e abbastanza spesso – anche ogni pochi giorni. Durante il mulching è possibile lasciare sulla superficie del prato, senza arrecare il danno per l'erba, solo i fili d'erba freschi e delicati, poiché subiscono il processo di decomposizione e non marciscono.

Per attivare la funzione di mulching è necessario rimuovere il cesto di raccolta e la protezione di scarico laterale (se installata), montare l'accessorio/tappo per tritare l'erba (Fig. 13) dentro l'apertura di scarico posteriore e chiudere la protezione di scarico dell'erba nel cesto.



**Affinché il mulching sia del tutto efficace, è necessario acquistare un coltello mulching.**

## **FUNZIONE DI SCARICO LATERALE**

Per poter usufruire della funzione di scarico laterale è necessario:

1. rimuovere il cesto di raccolta erba 7 (Fig. 1) (se montato), inserire il tappo per mulching nell'apertura di scarico posteriore (Fig. 13) e chiudere la protezione di scarico erba nel cestello 22 (Fig. 2),
2. sollevare lo sportello di scarico laterale e mediante ganci, montare la protezione di scarico laterale. Attenzione: il sollevamento della protezione di scarico laterale potrebbe richiedere molta forza un'apertura di un apposito bloccaggio che impedisce la sua apertura accidentale (se presente in un determinato modello) (Fig. 14A-C),
3. appoggiare lo sportello di scarico laterale sulla protezione di scarico laterale (Fig. 14D).

## **MANUTENZIONE**

### **UTILIZZO DELLA LAMA DA TAGLIO**



**Avvertimento:**

Prima di controllare la lama da taglio oppure l'albero di fissaggio dei coltelli, è necessario scollegare il cavo della candela d'accensione. Se la lama colpisce un oggetto, arrestare il motore, scollegare il cavo della candela d'accensione e controllare il rasoerba per rilevare eventuali danni. Controllare eventuali danneggiamenti (piegamenti, incrinature) dell'albero a gomiti dal lato di presa della potenza oppure dell'adattatore a cui è fissata la lama.

L'adattatore della lama non protegge il motore da danni quando la lama colpisce oggetti diversi dall'erba es. pietre, rami, mucchietti di terra.

Controllare frequentemente che le lame non presentino piegamenti, segni di eccessiva usura, qualsiasi altro danno come incrinature o deformazioni.

Le parti danneggiate devono essere sostituite con quelle nuove raccomandate dal produttore. Per sicurezza, sostituire le lame ogni due anni. Le lame devono essere ben affilate (per maggiori informazioni vedere il capitolo "Affilatura della lama"). Le lame smussate strappano l'erba, rendendo gialle le loro punte.



**Attenzione!** Dopo ogni affilatura, è assolutamente necessario bilanciare la lama. Una lama sbilanciata può provocare pericolose vibrazioni che possono danneggiare il raserba e / o causare incidenti.

Controllare spesso la vite di fissaggio della lama. La vite deve essere serrata con una coppia da 45 a 55 Nm.

#### **SMONTAGGIO DELLA LAMA (Fig. 15A)**

1. Adattatore
2. Lama
3. Rondella
4. Bullone



**Attenzione!** La lama da taglio 2 (Fig. 15A) può essere molto affilata, indossare guanti protettivi per evitare lesioni alle mani.

1. Svuotare il serbatoio del carburante.
2. Usare un blocco di legno per impedire che la lama giri.
3. Svitare il bullone di fissaggio della lama.
4. Controllare lo stato della lama (vedere il capitolo "Utilizzo della lama da taglio").
5. Sostituire la lama usurata o danneggiata con una nuova raccomandata dal produttore.
6. Serrare il bullone con coppia da 45 a 55 Nm. Il bullone di fissaggio non abbastanza stretto può causare l'allentamento della lama e provocare un incidente.



**Attenzione!** Durante il montaggio della lama, ricordarsi della direzione del lavoro della lama. Se la lama non è montata correttamente, in senso opposto, non taglierà l'erba in modo corretto e può causare un incidente.

#### **I PARAMETRI PIÙ IMPORTANTI DELLA LAMA (Fig. 15B)**

A - lunghezza (560 mm), sono ammesse le lame più corte, tuttavia, bisogna tenere in considerazione che l'efficacia di taglio sarà ridotta,

B - larghezza (57 mm),

C - diametro del foro di fissaggio (11 mm),

D - interasse dei fori (27,5 mm),

Il diametro dei fori circonferenza 11x11 mm per cunei di sicurezza è standard ed è pari a 15,5 mm.

Si consiglia di utilizzare lame da taglio MURRAY progettate per un determinato modello di raserba.



**Attenzione!** La forma della lama indica le sue caratteristiche, a seconda della forma, la lama è più adatta per tagliare l'erba con il cesto, tagliare con lo scarico laterale, eseguire mulching. La lama universale applicata in fabbrica può risultare meno efficace di quanto ci aspetteremmo, perciò si consiglia di acquistare lame accessori adatte per ogni funzione, cioè una per sminuzzare, un'altra per gettare l'erba nel cesto.

#### **UTILIZZO DELLA CANDELA DI ACCENSIONE**

La candela di accensione (Fig. 16A) deve essere sostituita all'inizio di ogni stagione oppure dopo 100 ore di funzionamento.

È necessario usare candele originali B&S QC12YC / B&S 797429. La distanza tra gli elettrodi raccomandata è di 0,51 mm (Fig. 16B). La fessura deve essere controllata tramite lo spessimetro a lamelle.

### **CAMBIO DELL'OLIO**

Il primo cambio dell'olio deve essere effettuato dopo 4-5 ore di funzionamento del motore. I successivi cambi d'olio devono essere effettuati ogni 25 ore di funzionamento o più spesso. Il tappo di scarico dell'olio può essere montato sul blocco motore, ma dipende dal modello del motore. Se il motore non ha un tappo di scarico nel blocco motore, usare il tappo di rabbocco per scaricare l'olio, dopo aver svuotato il serbatoio del carburante:

- Rimuovere il tappo di rabbocco dell'olio con asta di livello
- Rimuovere il filtro dell'aria per evitare che assorba benzina quando si inclina il rasaerba.
- Inclinare il rasaerba verso il tappo di rabbocco dell'olio 15 (Fig. 1).
- Lasciare il raserba in questa posizione fino a quando l'olio non smette di scorrere (l'operazione potrebbe richiedere diversi minuti).

Dopo aver scaricato l'olio dal motore, impostare il rasaerba in posizione piana e versare circa 0,6 litri dell'olio motore B&S raccomandato con la specifica SAE30 controllando il livello sull'asta di livello integrata con il tappo di rabbocco dell'olio. Avvitare il tappo dell'olio con asta di livello e installare il filtro dell'aria.

### **SOSTITUZIONE DEL FILTRO DELL'ARIA (Fig. 18A, B)**

Ogni 25 ore di funzionamento occorre controllare lo stato del filtro dell'aria. Il filtro deve essere sostituito ogni 100 ore di funzionamento o prima se è sporco.

Allentare l'elemento di fissaggio A che fissa il coperchio del filtro dell'aria B (Fig. 18B).

1. Aprire il coperchio B (Fig. 18B).
2. Rimuovere il prefiltro C e il filtro dell'aria D (Fig. 18B).
3. Se il filtro non è rovinato:
  - picchiettare delicatamente una superficie dura con l'insero del filtro dell'aria D (Fig. 18B) per rimuovere lo sporco,
  - lavare l'elemento in spugna del filtro C (Fig. 18B) con acqua con detersivo,
  - asciugare l'elemento in spugna con un panno pulito,
  - non immergere l'elemento in spugna del filtro in olio motore.
4. Se il filtro è consumato o danneggiato, sostituirlo con uno nuovo.
5. Rimontare tutti i componenti del filtro dell'aria, rimontare il coperchio del filtro dell'aria.

### **REGOLAZIONE DELLE CORDE**

Durante l'utilizzo del rasaerba le corde possono allungarsi e contrarsi. Perciò è necessario controllarle e regolare correttamente (se la regolazione è disponibile in un determinato modello). A tal fine occorre allentare un piccolo dado autobloccante 1 (Fig. 19), e poi a seconda delle esigenze:

1. girare il dado di regolazione 2 (Fig. 19) in senso antiorario: la corda viene accorciata,
2. girare il dado di regolazione 2 (Fig. 19) in senso orario: la corda si allunga.

## LUBRIFICAZIONE

Per ingrassare la cremagliera della ruota motrice posteriore 8 (Fig. 1) è necessario:

1. Rimuovere la copertura della ruota motrice posteriore ruotando la copertura verso sinistra (in senso antiorario).
2. Rimuovere il dado della ruota motrice con una chiave da 13 mm.
3. Rimuovere la ruota motrice dall'asse.
4. Smontare l'anello Seeger 24 (Fig. 20) e quindi sfilare la cremagliera 25 (Fig. 20) dall'albero di trasmissione 27 (Fig. 21).
5. La cremagliera, l'unità di trasmissione 26 (Fig. 21) e l'albero di trasmissione devono essere puliti dai residui di grasso usato e gli elementi di cui sopra devono essere leggermente ingrassati. Il lubrificante consigliato per questa operazione è il lubrificante per trasmissione ad angolo MURRAY.



**ATTENZIONE! Ingrassare la ruota dentata dall'interno 25 (Fig. 21). Non lubrificare il bordo esterno della cremagliera e della ruota motrice.**

6. Installare l'intero meccanismo di trasmissione del rasaerba nell'ordine inverso.

## TRASPORTO

### PREPARAZIONE AL TRASPORTO

- Prima di trasportare il rasaerba, rimuovere l'olio, quindi: raffreddare il motore, rimuovere il carburante dal serbatoio, dal carburatore e dai tubi del carburante.
- Il dispositivo può essere trasportato solo in posizione di lavoro, cioè con un angolo non superiore a 15 gradi rispetto all'orizzontale.
- Il manico può essere ripiegato.



**Attenzione! Fare attenzione durante il piegamento o l'apertura del manico poiché potrebbe danneggiare le corde. Le corde danneggiate possono causare il malfunzionamento del rasaerba e, in alcuni casi, possono ridurre la sicurezza dell'uso del rasaerba.**



**ISPEZIONE E INDIVIDUAZIONE DEI PROBLEMI****ISPEZIONE**

Ispezione		Prima di ogni uso	Dopo 5 ore di funzionamento	Dopo ogni 25 ore di funzionamento oppure ogni stagione	Prima dell'immagazzinamento	Dopo ogni 100 ore di funzionamento	Dopo ogni uso
Olio motore	controllare	x					
	sostituire		x (solo il primo cambio)	x			
Filtro aria	controllare	x					
	pulire		x				
	sostituire			x			
Candela di accensione	controllare			x			
	sostituire					x	
Lama da taglio	controllare	x					
	affilare			x			
Regolazione delle corde	controllare		x				
Adattatore	controllare	x					
Protezione della trasmissione	controllare		x				
Connessioni filettate	controllare	x			x		
Combustibile	controllare	x					
	svuotare				x		
Parte inferiore del rasaerba	pulire		x				x
	fare manutenzione				x		
Lubrificazione	eseguire			x	x		
Valvole	controllare / regolare			x			

**Il controllo annuale, post-stagionale o pre-stagionale a pagamento effettuato presso il centro di assistenza permetterà di evitare problemi insorti durante la stagione.**

**ELIMINAZIONE DEI GUASTI**

Problema	Possibile causa	Risoluzione del problema
Il dispositivo non si Avvia.	Assenza di carburante.	Controllare il livello del carburante e se necessario, aggiungere.
	Candela di accensione allagata o danneggiata.	Controllare, pulire o sostituire la candela di accensione.
	Interruzione nel sistema di accensione o cartuccia del carburante sporca.	Affidare la riparazione del rasaerba ad un centro di assistenza per attrezzatura da giardinaggio, preferibilmente affidare il rasaerba a un centro di assistenza autorizzato MURRAY.

Problema	Possibile causa	Risoluzione del problema
Il motore funziona in modo irregolare.	Filtro aria sporco.	Sostituire o pulire il filtro.
	Carburante di bassa qualità.	Scaricare il carburante e rifornire il raserba con carburante di alta qualità.
	Tubo carburante intasato, assenza di carburante o carburante vecchio.	Pulire il tubo carburante, controllare l'alimentazione del carburante, aggiungere carburante nuovo.
	Acqua, olio o sporcizia nell'impianto di alimentazione carburante.	Svuotare il carburatore con la vite di scarico del carburante e completare con una miscela fresca.
	Carburatore allagato con olio a seguito dell'inclinazione del raserba sul lato.	Pulire il carburatore dall'olio.
Il motore si spegne.	Cavo del freno regolato in modo non corretto.	Eeguire un'adeguata regolazione.
	Filtro aria sporco.	Sostituire il filtro.
Il motore emette fumo.	Marmitta allagata d'olio in seguito all'inclinazione del raserba sul lato.	Completare l'olio e mettere in funzione il raserba per 15 minuti, l'olio si brucerà da solo.
Eccessive vibrazioni.	Adattatore della lama danneggiato.	Sostituire.
	Albero del motore storto (dopo l'urto).	Arrestare immediatamente il motore e rimuovere la pipetta della candela di accensione. Serrare tutte le viti e eseguire tutte le riparazioni necessarie. Se la vibrazione persiste, affidare la riparazione a un centro di assistenza autorizzato.
	Componenti montati allentati.	
Il raserba non getta l'erba nel cesto.	Erba troppo alta.	Tagliare due volte.
	Erba bagnata.	Non tagliare.
	Lama da taglio inserita in modo inverso o usurata.	Montare correttamente la lama da taglio o sostituirla.
	Telaio del raserba sporco.	Pulire il telaio del raserba.
	Cestello sporco o troppo pieno.	Svuotare e pulire il cesto.
	Giri del motore troppo bassi.	Regolare i giri presso un centro di assistenza autorizzato.
La trasmissione delle ruote non funziona.	Cinghia di trasmissione usurata o danneggiata.	Sostituire la cinghia di trasmissione delle ruote.
	Residui di erba tagliata.	Pulire il meccanismo di trasmissione.
	Cavo di trasmissione non regolato correttamente.	Regolare il cavo di trasmissione.
	Meccanismo di protezione della trasmissione usurato.	Sostituire la ruta dentata.

### **GARANZIA E ASSISTENZA**

Il prodotto da Voi acquistato è destinato esclusivamente all'uso amatoriale (hobby). In caso di uso dell'attrezzatura per altri scopi (commerciali, professionali), il garante declina la responsabilità per il prodotto acquistato. Le informazioni sulla garanzia e sulla rete di assistenza MURRAY sono disponibili nel certificato di garanzia.

**DICHIARAZIONE DI CONFORMITÀ****Dichiarazione di conformità CE**

Produttore:

denominazione: NAC Sp. z o.o.  
indirizzo: Al. Krakowska 39, 05-090 Raszyn, Polonia

dichiara, sotto la sua esclusiva responsabilità, che la macchina:

nome: Rasaerba a scoppio  
modello: EQ2-700X  
numero di serie: 033 22 2490745490 9000 000001 – 033 25 2490745490 9000 999999

soddisfa i requisiti essenziali:

- della direttiva macchine MD 2006/42/CE,
- della direttiva sulla compatibilità elettromagnetica EMC 2014/30/UE,
- della direttiva rumore NEE 2000/14/CE allegato VI e 2005/88/CE,

soddisfa i requisiti delle seguenti norme armonizzate:

- EN ISO 5395-1:2013+A1,
- EN ISO 5395-2:2013+A1+A2,
- AfPS GS 2014:01 PAK,
- EN ISO 14982:2009,
- EN ISO 3744:1995,
- ISO 11094:1991

e soddisfa i requisiti di:

- 2016/1628/EU.

2000/14/CE: procedura di valutazione della conformità applicata secondo l'allegato VI

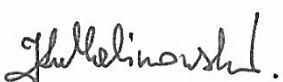
- il livello massimo di potenza sonora rilevato: LWA è pari a 93 dB(A),
- Il livello di potenza sonora garantito: LWA è pari a 96 dB(A).

Le procedure di valutazione della conformità secondo NEE 2000/14/CE sono state eseguite con l'intervento dell'organismo notificato:

denominazione: TÜV Rheinland LGA Products GmbH  
indirizzo: Tillystrasse 2, 90431 Nürnberg, Germany  
numero identificativo: 0197

Luogo di presentazione e conservazione della documentazione tecnica:

NAC Sp. z o.o.  
Al. Krakowska 39,  
05-090 Raszyn

  
Direttore Tecnico e Certificazioni

Raszyn, il 30 novembre 2021

# GARANZIA

*Gentili Signori,*

*Grazie per aver acquistato il nostro prodotto e congratulazioni per la scelta. Il dispositivo da Voi acquistato è stato progettato e prodotto secondo le tecnologie d'avanguardia e rappresenta lo standard di qualità e affidabilità riconosciuto al livello mondiale, in rispetto dell'ambiente.*

*Vi ricordiamo l'obbligo di leggere attentamente le procedure relative alla messa in funzione e all'utilizzo prima di iniziare a usare il dispositivo; queste procedure sono incluse nelle istruzioni fornite insieme al dispositivo.*

*La nostra rete di assistenza specializzata Vi offre l'assistenza nel campo di consulenza tecnica e operativa.*

*L'elenco dei centri di assistenza autorizzati e i consigli sull'assistenza sono disponibili sul sito:*  
**[www.murray.com](http://www.murray.com)**

## **TERMINI DI GARANZIA**

In Polonia il garante è NAC Sp. z o.o.

1. La ditta NAC garantisce il buon funzionamento del dispositivo Murray nel rispetto delle condizioni tecniche e operative descritte nelle Istruzioni d'Uso.
2. Il dispositivo è coperto da una garanzia di 24 mesi per il consumatore (ovvero una persona fisica che conclude con l'imprenditore un negozio giuridico per scopi estranei alla sua attività imprenditoriale o professionale) e una garanzia di 12 mesi se il dispositivo è stato acquistato da un imprenditore (ovvero una persona fisica persona, persona giuridica e unità organizzativa che esercita in proprio nome l'attività imprenditoriale o professionale). " Trascorso tale periodo, l'utente ha diritto alla riparazione a pagamento.
3. Tutti i danni rilevati durante il periodo di garanzia e derivanti dal materiale, dal montaggio o dalla fabbricazione verranno rimossi gratuitamente.
4. La condizione per ottenere la copertura della garanzia è la prova di acquisto del dispositivo dal Distributore di Apparecchiature Autorizzato MURRAY insieme al modulo del certificato di garanzia munito della firma, rilasciato dal Distributore autorizzato del marchio MURRAY. La garanzia non verrà concessa nel caso in cui il modulo del certificato di garanzia sarà vidimato/timbrato da una ditta che non è un distributore autorizzato del marchio MURRAY. La presente garanzia è valida nel territorio della Repubblica Polacca.
5. I difetti del dispositivo coperti dalla garanzia verranno rimossi entro 14 giorni feriali dalla data di ricevimento presso il Centro di Assistenza Autorizzato MURRAY. In casi eccezionali tale periodo può essere esteso a 30 giorni feriali.
6. Per motivi indipendenti dalla volontà del Garante, il suddetto periodo può essere prorogato, in particolare quando il prodotto richiede ulteriori verifiche/perizie o quando ricorrono circostanze di forza maggiore che ne impediscono la conservazione, es. alluvioni, incendi, scioperi, calamità naturali, restrizioni all'importazione, ecc.
7. Dalla garanzia sono escluse le attività quali: montaggio, manutenzione, assistenza periodica, regolazione e pulizia, nonché ispezioni, cambio olio e filtro insieme ai materiali e componenti impiegati per le suddette attività. Tali attività possono essere eseguite a pagamento.
8. Al fine di rimuovere difetti o danneggiamenti, è necessario consegnare il dispositivo, unitamente alla prova di acquisto e al certificato di garanzia in corso di validità presso: il Centro di Assistenza Autorizzato più vicino oppure fruire di un comodo sistema "porta a porta" o presso il luogo di acquisto. Il dispositivo deve essere prima pulito. Il punto assistenza / negozio può rifiutarsi di riparare il dispositivo non pulito. Se il dispositivo deve essere spedito, prima di consegnare al corriere o al venditore, è assolutamente necessario svuotarlo dai liquidi di esercizio (carburante e olio). L'imballaggio deve garantire un trasporto sicuro, si raccomanda l'imballo originale.
9. Il metodo di riparazione viene stabilito dal garante. Durante la riparazione in garanzia il garante non è obbligato a fornire l'attrezzatura sostitutiva.
10. La presente garanzia è valida a condizione che il dispositivo venga utilizzato, sottoposto a manutenzione e operato correttamente secondo le istruzioni per l'uso allegate.
11. L'utente è obbligato a interrompere immediatamente l'utilizzo del dispositivo danneggiato. L'utilizzo di un dispositivo danneggiato può causare ulteriori guasti e mettere in pericolo la salute e la vita dell'utente o di terzi.
12. La garanzia non copre i danni derivanti da: danni meccanici, uso improprio, modifiche e riparazioni effettuate da persone non autorizzate. Ciò vale anche per il montaggio e l'uso di componenti nonché filtri, lubrificanti, oli e combustibili non adatti.
13. La distruzione di sigilli di garanzia, se presenti, o della targhetta con il numero di serie possono comportare il rifiuto della garanzia.
14. La garanzia non copre i difetti derivanti da fulmini, incendi, inondazioni e alte calamità naturali.
15. Sono esclusi dalla garanzia i materiali di consumo e gli elementi soggetti a usura naturale durante il funzionamento e soggetti al controllo dello stato da parte dell'utente, quali: cinghie, lampadine, filtri, candele di accensione, ruota portante, coltelli e lame da taglio, manici di coltelli, testa a filo, catene di taglio, guidacatena, cavi di comando, linguette e perni di sovraccarico.
16. NAC non è responsabile per danni diretti o indiretti, perdite o costi derivanti dall'uso o dall'impossibilità di utilizzare il dispositivo per qualsiasi scopo.
17. Se, prima di iniziare la riparazione, si rende necessario effettuare le attività relative alla manutenzione del dispositivo, il Servizio/Negozio può eseguire tali attività a pagamento dietro il consenso dell'utente /reclamante.
18. Nel caso in cui, durante la riparazione, si renda necessario sostituire componenti legati alla sicurezza d'uso o di terzi (es. lame taglienti, catene, guide, protezioni di elementi taglienti e altri componenti legati alla sicurezza), il servizio è obbligato a sostituire tali elementi, anche se questo comporta la necessità di addebitare i costi previo consenso dell'utente/reclamante. In caso di rifiuto, il servizio restituirà il prodotto senza effettuare alcuna riparazione.
19. La garanzia non copre eventuali danni causati a cose o persone.
20. La garanzia per il prodotto venduto non esclude, non limita né sospende i diritti dell'Acquirente che è una persona fisica, risultanti dalle disposizioni relative alla garanzia spettante al venditore per difetti del prodotto venduto.

**CERTIFICATO DI GARANZIA**

.....  
 Nome dell'apparecchiatura \*

.....  
 Modello \*

.....  
 Data di vendita \*

.....  
 Nr di serie del dispositivo \*

.....  
 Nr di serie del motore

Dichiaro di aver preso visione delle Istruzioni per l'Uso e del Certificato di Garanzia. In seguito all'acquisto ho ricevuto l'attrezzatura funzionante, completa, munita della prova di acquisto.

Firma leggibile dell'acquirente.....

.....  
 Timbro e firma leggibile del venditore\*<sup>1</sup>

\* *Da compilare a cura del venditore*

\*<sup>1</sup> **Dichiaro di essere un distributore autorizzato MURRAY ufficiale.**

La trasmissione di una dichiarazione che non conforme allo stato di fatto, da parte di un soggetto che non è un distributore autorizzato di apparecchiature MURRAY può comportare la responsabilità penale del venditore ai sensi dell'art. 271 e l'art. 286 del Codice penale.

Nr progress	Date	Numero di protocollo della riparazione	Timbro dell'azienda
	Data di segnalazione dell'apparecchiatura		
	Data di completamento della riparazione / Data di rilascio dell'apparecchiatura		
	Data di segnalazione dell'apparecchiatura		
	Data di completamento della riparazione / Data di rilascio dell'apparecchiatura		
	Data di segnalazione dell'apparecchiatura		
	Data di completamento della riparazione / Data di rilascio dell'apparecchiatura		
	Data di segnalazione dell'apparecchiatura		
	Data di completamento della riparazione / Data di rilascio dell'apparecchiatura		
	Data di segnalazione dell'apparecchiatura		
	Data di completamento della riparazione / Data di rilascio dell'apparecchiatura		

Il protocollo di riparazione originale è equivalente all'iscrizione nel certificato di garanzia.



**Uwaga! Przed przystąpieniem do montażu lub obsługi należy zapoznać się z niniejszą Instrukcją Obsługi.**

**Urządzenie przeznaczone jest do obsługi terenów przydomowych.**

**Używanie urządzenia do celów profesjonalnych, półprofesjonalnych lub zarobkowych powoduje unieważnienie gwarancji.**

Instrukcja oryginalna, wydanie 1/2022

Niniejszą instrukcję należy traktować jako nieodłączną część urządzenia. Powinna ona być przechowywana w przewidzianym dla niej miejscu, tak aby była łatwo dostępna. Należy pamiętać, aby w przypadku odsprzedaży urządzenia lub jego przekazania innej osobie instrukcję tę przekazać nowemu właścicielowi lub użytkownikowi.

## **SPIS TREŚCI**

Spis treści	127
Dane techniczne	128
Opis stron graficznych i piktogramów	128
Zasady bezpieczeństwa dla maszyn i urządzeń z silnikiem spalinowym	129
Ogólne przepisy bezpieczeństwa	130
Szczegółowe przepisy bezpieczeństwa	132
Bezpieczeństwo i odpowiedzialność producenta	135
Ryzyko resztkowe	136
Zastosowanie	136
Przygotowanie do pracy	136
Budowa kosiarki spalinowej	136
Obsługa	138
Konserwacja	141
Transport	143
Przeglądy i diagnozowanie problemów	144
Gwarancja i serwis	145
Deklaracja zgodności	146
Warunki gwarancji	148
Karta gwarancyjna	149

**DANE TECHNICZNE**

<b>Model</b>	<b>EQ2-700X</b>
Sinik	B&S 750EX DOV
Typ silnika	jednocylindrowy, czterosuwowy, chłodzony powietrzem, DOV
Paliwo	benzyna bezołowiowa 95 Pb
Pojemność silnika	161 cc
Moc znamionowa maszyny	2,61 kW – 2900 obr./min
Maksymalny moment obrotowy	9,5 Nm – 2400 obr./min
Maksymalna prędkość obrotowa	2900 obr./min
Pojemność zbiornika paliwa	1 L
Pojemność miski olejowej	0,6 L
Obudowa	stalowa
Pojemność kosza	75 L
Szerokość koszenia	56 cm
Wysokość koszenia	25-75 mm, 6-stopniowa regulacja
Gwarantowany poziom mocy akustycznej LWA	98 dB (A)
Poziom ciśnienia akustycznego LpA	LpA=82,5 dB (A), K=3 dB (A)
Wartość drgań przenoszonych przez maszynę i działających na kończyny górne operatora	ahv=5,569 m/s <sup>2</sup> , K=1,5m/s <sup>2</sup>
Masa urządzenia	34,1 kg
Rok produkcji	2022

W skład urządzenia wchodzi:

- kosiarka spalinowa,
- kosz,
- śruby, nakrętki,
- instrukcja obsługi,
- karta gwarancyjna,
- warunki gwarancji,
- deklaracja zgodności WE.

**OPIS STRON GRAFICZNYCH I PIKTOGRAMÓW**

Piktogramy strona 2.A

1. Uwaga! Niebezpieczeństwo. Zachować szczególną ostrożność.
2. Ważne! Przeczytać instrukcję oraz przestrzegać ostrzeżeń.
3. Niebezpieczeństwo zranienia przez wyrzucane przez pracującą maszynę objekty. Zachować dystans od osób postronnych.
4. Zachować bezpieczną odległość od budynków.
5. Nie kosić trawy na zboczach w kierunku ich pochylenia.
6. Uwaga: Odłączyć fajkę z przewodem wysokiego napięcia od świecy przed konserwacją i/lub naprawą.
7. Urządzenie należy przechowywać poza zasięgiem dzieci.
8. Zakaz pracy w deszczu.
9. Uwaga: Utrzymywać ręce i stopy z dala od ostrzy noża.
10. Nigdy nie pracować z uniesioną klapą wyrzutu do kosza. Poderwane przez ostrze kosiarki objekty mogą być niebezpieczne.
11. Przed rozpoczęciem pracy należy sprawdzić i oczyścić teren.



12. Osoby postronne nie powinny znajdować się w pobliżu pracującej kosiarki.
13. Uwaga: Trzymać ręce i stopy z dala od wirujących elementów.
14. Przed rozpoczęciem czyszczenia, naprawy lub kontroli maszyny upewnić się, że ostrze i wszystkie części ruchome zatrzymały się.
15. Ryzyko pożaru lub wybuchu. Benzyna jest wysoce łatwopalna.
16. Uwaga: Gorąca powierzchnia może spowodować oparzenia.
17. Stosować okulary ochronne.
18. Stosować naszniki ochronne.
19. Używać rękawic ochronnych.
20. Nosić obuwie ochronne.
21. Uwaga! Silnik czterosuwowy, nie mieszaj benzyny z olejem. Maszyna ma dwa oddzielne zbiorniki i króćce wlewu oleju i benzyny.
22. Ostrze obraca się przez kilka sekund po wyłączeniu kosiarki. Nie przenosić kosiarki, której ostrza nie są całkowicie zatrzymane.
23. Uwaga: Spaliny są szkodliwe dla zdrowia. Istnieje niebezpieczeństwo zatrucia lub uduszenia. Nie korzystać z urządzenia w pomieszczeniach zamkniętych.
24. Nie wyrzucać zużytego sprzętu. Obowiązkiem użytkownika jest przekazanie zużytego sprzętu do wyznaczonego punktu zbiórki w celu recyklingu odpadów.

#### **INNE OZNACZENIA NA MASZYNIE**

1. Tabliczka znamionowa (strona 2.B).  
Tabliczka znamionowa jest umieszczona na tylnej części obudowy kosiarki. Informacje zawarte na tabliczce są niezbędne dla ustalenia odpowiednich części zamiennych i czynności obsługowych.
2. Gwarantowany poziom mocy akustycznej (strona 2.C).
3. Ostrzeżenia oraz inne oznaczenia (strona 2. D).

#### **ZASADY BEZPIECZEŃSTWA DLA MASZYN I URZĄDZEŃ Z SILNIKIEM SPALINOWYM**



##### **Ostrzeżenie!**

- Przeczytaj dokładnie instrukcję. Zapoznaj się z przepisami bezpieczeństwa oraz z układami sterowniczymi i zasadami prawidłowego użytkowania urządzenia.
- Nieprzestrzeganie podanych niżej ostrzeżeń i wskazówek dotyczących bezpieczeństwa może być przyczyną porażenia prądem elektrycznym, pożaru i/lub poważnych obrażeń.
- Zachowaj niniejszą instrukcję, aby móc skorzystać z niej w przyszłości.
- Niniejszy sprzęt nie jest przeznaczony do użytkowania przez osoby (w tym dzieci) o ograniczonej zdolności fizycznej, czuciowej lub psychicznej, lub osoby niemające doświadczenia lub znajomości sprzętu, chyba że odbywa się to pod nadzorem lub zgodnie z instrukcją użytkowania sprzętu przekazaną przez osoby odpowiadające za ich bezpieczeństwo.
- Nie pozwalaj obsługiwać urządzenia dzieciom, młodzieży do lat 16 i osobom niezapoznanym z instrukcją obsługi urządzenia.

## **OGÓLNE PRZEPISY BEZPIECZEŃSTWA**

### **BEZPIECZEŃSTWO W MIEJSCU PRACY**

- W miejscu pracy należy utrzymywać porządek i dobre oświetlenie. Nieporządek i złe oświetlenie przyczynia się do wypadków.
- Nie należy dopuszczać dzieci i obserwatorów do miejsc, w których używa się urządzeń z silnikiem spalinowym. Rozproszenie uwagi może spowodować utratę kontroli nad urządzeniem. Sprzęt ogrodowy należy pozostawiać z dala od osób postronnych.
- Operator lub użytkownik jest odpowiedzialny za wypadki lub zagrożenia występujące wobec innych osób lub otoczenia.

### **BEZPIECZEŃSTWO PODCZAS PRACY Z PALIWEM**

- Silnik spalinowy jest przystosowany do pracy na benzynie lub mieszance paliwowej (patrz rodzaj paliwa w danych technicznych urządzenia).
- Benzynę należy przechowywać tylko w specjalnie do tego celu przygotowanych pojemnikach (kanistrach).
- Benzynę przechowywać z dala od czynników mogących wywołać pożar np. ogniska, otwartego ognia, tam gdzie występuje iskrzenie elektryczne, podwyższona temperatura, iskry spowodowane spawaniem lub inne źródła ciepła, które mogą spowodować zapalenie się paliwa.
- Zbiornik paliwa należy napełniać tylko na wolnym powietrzu.
- Wyjątkowo niebezpieczne jest palenie papierosów lub używanie otwartego ognia podczas pracy urządzenia lub przy napełnianiu zbiornika paliwa.
- Przed przystąpieniem do napełniania paliwem zbiornika zawsze należy najpierw wyłączyć i schłodzić silnik.
- Nie napełniać zbiornika powyżej dolnej krawędzi króćca wlewowego, benzyna ma dużą rozszerzalność cieplną.
- W przypadku rozlania paliwa należy niezwłocznie wytrzeć rozlaną benzynę suchą tkaniną.
- Podczas napełniania zbiornika paliwa należy zwrócić szczególną uwagę, aby nie rozlać paliwa na odzież. Nasączona benzyną odzież może się zapalić, dlatego należy ją natychmiast zmienić.
- Po napełnieniu paliwem zbiornika urządzenia należy szczelnie dokręcić jego korek, a przed uruchomieniem silnika przenieść kanister z paliwem do miejsca odległego o co najmniej 3 m od miejsca, gdzie dokonywane było napełnianie.
- Przed uruchomieniem silnika sprawdź szczelność całego układu paliwowego, zwłaszcza zbiornik paliwa, przewody paliwowe, złącza, korek wlewu i okolice gaźnika. Nie uruchamiaj silnika, jeśli wykryjesz nieszczelność układu paliwowego, gdyż grozi to pożarem.
- Urządzenie nie powinno pracować w atmosferach wybuchowych, jakie tworzą ciecze łatwopalne, gazy lub pyły. Silnik spalinowy może wytworzyć iskry, które mogą zapalić pył lub opary.
- Nie należy używać urządzenia, jeżeli są kłopoty z jego wyłączaniem. Każde urządzenie, którego nie można wyłączyć jest niebezpieczne i musi zostać naprawione.
- Nie przechowywać urządzenia z napełnionym zbiornikiem paliwa wewnątrz pomieszczeń. Opary benzyny są łatwopalne i niebezpieczne dla zdrowia.



#### **Uwaga!**

- Należy unikać wdychania oparów benzyny i spalin. Benzyna, opary benzyny oraz spaliny mogą być przyczyną zatrucia.

- Nie uruchamiaj kosiarki w pomieszczeniach zamkniętych lub słabo przewietrzanych. W przypadku bólu głowy, mdłości, zaburzeń słyszenia lub widzenia natychmiast przerwij pracę.

### BEZPIECZEŃSTWO OSOBISTE

- Należy być przewidującym, obserwować co się robi i zachowywać rozsądek podczas pracy ze sprzętem. Nie należy używać sprzętu, gdy jest się zmęczonym lub pod wpływem narkotyków, alkoholu lub leków. Chwila nieuwagi podczas pracy może spowodować poważne osobiste obrażenia.
- Należy stosować wyposażenie ochronne. Należy zawsze zakładać okulary ochronne. Używanie w odpowiednich warunkach wyposażenia ochronnego, takiego jak maska przeciwpyłowa, obuwie antypoślizgowe, kask lub ochronniki słuchu, zmniejszy obrażenia osobiste.
- Przed uruchomieniem sprzętu należy usunąć wszystkie przedmioty oraz klucze. Pozostawienie klucza w obracającej się części roboczej maszyny może spowodować osobiste obrażenia.
- Podczas pracy urządzeniem należy cały czas stać pewnie i zachować równowagę. Umożliwi to lepszą kontrolę w sytuacjach nieprzewidywalnych.
- Należy odpowiednio się ubierać. Nie należy nosić luźnego ubrania ani biżuterii. Należy utrzymywać swoje włosy, ubranie i rękawiczki z dala od części ruchomych. Luźne ubrania, biżuteria lub długie włosy mogą zostać zaczepione przez części ruchome.
- W czasie pracy należy trzymać narzędzie za dodatkowe uchwyty, jeśli narzędzie jest w nie wyposażone. Utrata kontroli nad narzędziem niesie ryzyko uszkodzenia ciała.
- Nie należy używać urządzenia, jeżeli są kłopoty z jego wyłączeniem. Każde urządzenie, którego nie można wyłączyć jest niebezpieczne i musi zostać naprawione.



**Uwaga! Pomimo zastosowania konstrukcji bezpiecznej z samego założenia, stosowania środków zabezpieczających i dodatkowych środków ochronnych, zawsze istnieje ryzyko szcążtkowe doznania urazów podczas pracy.**

### UŻYTKOWANIE I TROSKA O SPRZĘT

- Nie należy urządzenia przeciążać. Należy stosować urządzenie o mocy odpowiedniej do wykonywanej pracy. Odpowiednio dobrany sprzęt umożliwi pracę lepszą i bezpieczniejszą przy obciążeniu, na jakie został zaprojektowany.
- Nieużywany sprzęt należy przechowywać poza zasięgiem dzieci. Nie należy pozwalać na używanie sprzętu osobom niezaznajomionym z urządzeniem lub niniejszą instrukcją. Urządzenia i sprzęt o napędzie spalinowym są niebezpieczne w rękach nieprzeszkolonych użytkowników.
- Urządzenia o napędzie spalinowym należy konserwować. Należy sprawdzać współosiowość lub zakleszczenie się części ruchomych, pęknięcia części i wszystkie inne czynniki, które mogą mieć wpływ na pracę urządzenia. Jeżeli stwierdzi się uszkodzenia, należy sprzęt przed użyciem naprawić. Przyczyną wielu wypadków jest nieprawidłowy sposób naprawy i/lub konserwacji sprzętu.
- Przed użyciem urządzenia należy wymienić wszystkie wadliwe oraz zużyte i uszkodzone części. Należy wymienić na nowe tabliczki ostrzegawcze umieszczone na urządzeniu, jeżeli stały się nieczytelne lub zostały uszkodzone.
- Naklejki ostrzegawcze i części zamienne można zamówić w serwisie firmy Murray oraz u autoryzowanych dealerów.

- Urządzenie o napędzie spalinowym, wyposażenie, narzędzia robocze itp. należy stosować zgodnie z niniejszą instrukcją, biorąc pod uwagę warunki i rodzaj pracy do wykonania. Używanie urządzenia w sposób, do jakiego nie jest przewidziane, może być niebezpieczne.

### **OBSŁUGA I EKSPLOATACJA NARZĘDZI WYPOSAŻONYCH W AKUMULATOR**

- Przed włożeniem akumulatorów do narzędzia należy upewnić się, że jego włącznik/wyłącznik jest w pozycji „wyłączony”. Wkładanie akumulatorów do urządzenia, gdy włącznik/wyłącznik jest w pozycji „włączony”, może stać się przyczyną poważnych urazów ciała.
- Należy używać wyłącznie ładowarki zalecanej przez producenta. Użycie ładowarki do ładowania innego typu akumulatorów może być przyczyną pożaru.
- Nigdy nie należy używać akumulatorów innych niż zalecane przez producenta. Użycie innych akumulatorów może być przyczyną poważnych obrażeń ciała lub pożaru.
- W czasie, gdy urządzenie nie jest używane należy wyjąć z niego akumulator. Akumulator należy przechowywać z dala od metalowych przedmiotów takich jak: spinacze do papieru, monety, gwoździe, śruby itp., które mogą zewrzeć zaciski akumulatora. Zwarcie zacisków akumulatora może spowodować oparzenia lub pożar.
- W ekstremalnych warunkach z akumulatora może wydostać się ciecz. Bezwzględnie należy unikać z nią kontaktu. Jeżeli przypadkowo nastąpi zetknięcie z cieczą – należy natychmiast to miejsce przemyć wodą. Jeżeli ciecz trafi do oczu, należy niezwłocznie skontaktować się z lekarzem. Wydostająca się z akumulatora ciecz może spowodować podrażnienia lub oparzenia.
- Zabronione jest użytkowanie ładowarek i zasilaczy na zewnątrz pomieszczeń oraz w pomieszczeniach o dużej wilgotności takich jak łązienki czy piwnice.



**UWAGA! Ładowarki i zasilacze do urządzeń akumulatorowych są przeznaczone do pracy wewnątrz pomieszczeń w suchym środowisku. Niebezpieczeństwo porażenia prądem i/lub uszkodzenia urządzenia.**

### **NAPRAWA**

- Przed wykonaniem każdej regulacji, wymiany części lub magazynowaniem należy zdjąć przewód ze świecy zapłonowej. Takie zapobiegawcze środki bezpieczeństwa redukcją ryzyko przypadkowego rozruchu.
- Naprawę należy zlecać osobie wykwalifikowanej, wykorzystując wyłącznie oryginalne części zamienne. Zapewni to dalszą bezpieczną pracę urządzenia. Zalecane jest zlecenie każdej czynności serwisowej autoryzowanemu serwisowi firmy MURRAY.



**Uwaga!** Niebezpieczeństwo uduszenia się dzieci podczas zabawy z opakowaniem. Opakowanie, zwłaszcza torbę foliową należy przechowywać w miejscach niedostępnych dla dzieci.

### **SZCZEGÓŁOWE PRZEPISY BEZPIECZEŃSTWA DLA KOSIAREK**



#### **Ostrzeżenie!**

- Uwaga na ostre krawędzie noży. Noże obracają się jeszcze po wyłączeniu silnika.
- Można korzystać tylko z kosiarki w dobrym stanie technicznym, w razie potrzeby wykonać niezbędne czynności lub skontaktować się z serwisem. Zaleca się korzystanie z usług autoryzowanego serwisu firmy MURRAY.
- Przed każdym uruchomieniem należy sprawdzić, czy:

- urządzenie jest zmontowane zgodnie z instrukcją;
- narzędzie tnące i cały zespół tnący (nóż kosiarki, elementy mocujące, obudowa zespołu tnącego) są w dobrym stanie technicznym; należy regularnie sprawdzać ich zamocowanie, uszkodzenia oraz zużycie (zagłębienia lub pęknięcia);
- urządzenia zabezpieczające (np. osłona wyrzutu, obudowa, uchwyt kierujący, dźwignia hamulca silnika) są w dobrym stanie technicznym i prawidłowo działają;
- kosz na trawę jest nieuszkodzony i prawidłowo zamontowany, nie można używać uszkodzonego kosza na trawę.
- Nie wolno włączać kosiarki, jeżeli nóż nie jest prawidłowo zamontowany. Niebezpieczeństwo powstania niebezpiecznych wibracji!
- Narzędzia tnące powinny być ostre i czyste. Odpowiednie utrzymywanie ostrych krawędzi narzędzi tnących zmniejsza prawdopodobieństwo zakleszczenia i ułatwia obsługę.
- Przed regulacją, czyszczeniem, konserwacją należy wyłączyć urządzenie i zdjąć przewód wysokiego napięcia ze świecy zapłonowej,
- Nie koś, gdy inne osoby, szczególnie dzieci lub zwierzęta, są w pobliżu.
- Nie uruchamiaj uszkodzonej kosiarki.
- Nie dotykaj noży zanim sprzęt nie zostanie wyłączony i noże całkowicie nie zatrzymają się.
- Nie podnoś ani nie przenoś urządzenia z włączonym silnikiem.
- Wyłącz kosiarkę i zdejmij przewód wysokiego napięcia ze świecy zapłonowej, gdy:
  - pozostawiasz sprzęt bez dozoru,
  - przed regulacją blokady,
  - przed sprawdzaniem, czyszczeniem lub naprawą urządzenia,
  - po uderzeniu obcym przedmiotem,
  - przed czyszczeniem wylotu,
  - w przypadku powstania nadmiernych drgań.

## **PRZYGOTOWANIE**

- Podczas koszenia zawsze noś solidne obuwie i długie spodnie, nie obsługuj urządzenia bez obuwia lub w sandałach.
- Sprawdź dokładnie teren, na którym urządzenie będzie pracować i usuń wszystkie kamienie, gałęzie, druty, kości i inne obce przedmioty.
- W wysokiej trawie można nie zauważyć przeszkód (np. pniaków, korzeni), dlatego przed rozpoczęciem pracy z użyciem urządzenia należy oznakować wszystkie przeszkody ukryte w trawie, których nie można usunąć.
- Przed użyciem zawsze sprawdź, czy noże, śruby i zespół noży nie są zużyte lub uszkodzone. Wymień zużyte lub uszkodzone noże i śruby parami, w celu zachowania wyważenia.
- W przypadku urządzeń wielonożowych zachowaj ostrożność, gdyż obrót jednego noża może spowodować obroty innych noży.

## **OSTRZENIE NOŻA**

- Aby zapewnić kosiarce optymalne warunki pracy, nóż maszyny powinien być naostrzony. Ta prosta z pozoru czynność musi być wykonana ze szczególną starannością. Wymaga to dużej wiedzy technicznej i niezbędnego sprzętu serwisowego. Producent nie odpowiada za wszelkie

uszkodzenia kosiarki związane ze źle przeprowadzoną czynnością ostrzenia noża. Zalecany kąt to 30°.

- Bezpiecznie jest zlecić ostrzenie noża autoryzowanemu serwisowi firmy MURRAY.
- Przed przystąpieniem do ostrzenia kosiarkę należy wyłączyć, poczekać na schłodzenie się silnika, zdjąć przewód wysokiego napięcia ze świecy zapłonowej, ewentualnie wymontować akumulator i odkręcić nóż.
- Nóż można ostrzyć ręcznie, przy pomocy osetki lub odpowiedniego pilnika do metalu, preferowane jest ostrzenie profesjonalną ostrzałką, cały czas mając na uwadze fakt, że ostrze może ulec przegrzaniu, tym samym nie będzie nadawać się do pracy. Zalecane jest używanie ciekłego chłodziwa do obróbki metalu, dopuszczalne jest użycie wody cały czas mając na uwadze fakt, że nie wszystkie maszyny ostrzące mogą pracować w strumieniu chłodziwa. Zabarwienie powierzchni ostrza na kolor niebieski świadczy o uszkodzeniu noża, którego nie należy już używać.
- Po każdym ostrzeniu noża należy bezwzględnie go wyważyć. Jeżeli użytkownik nie dysponuje wyważarką i odpowiednią wiedzą, konieczne jest oddanie noża do specjalistycznego serwisu w celu wyważenia. Praca z niewyważonym nożem powoduje powstanie nadmiernych wibracji i w konsekwencji może spowodować poluzowanie połączeń śrubowych całego urządzenia, ze śrubą mocowania noża włącznie, co może być niebezpieczne dla zdrowia i życia użytkownika.

## UŻYTKOWANIE

- Koś tylko w świetle dziennym lub przy dobrym oświetleniu sztucznym.
- Nie koś podczas deszczu, zwłaszcza podczas burzy. Unikaj koszenia mokrej trawy.
- Zawsze upewnij się, że twoje nogi na pochyłości stoją pewnie.
- Chodź, nigdy nie biegaj. Pamiętaj by zachować pewną, bezpieczną pozycję.
- Kosiarkami wirnikowymi koś w poprzek zbocza, nigdy w górę lub w dół.
- Zachowaj szczególną ostrożność przy zmianie kierunku jazdy na zboczu.
- Nie koś na nadmiernie pochylonych zboczach.
- Zwracaj szczególną uwagę przy cofaniu lub ciągnięciu urządzenia do siebie.
- Wyłącz urządzenie, jeśli ma być przechylane lub podczas przemieszczania go po innych niż trawiaste powierzchniach i gdy jest transportowane do miejsca koszenia i z powrotem.
- Przed transportem kosiarki należy schłodzić silnik, spuścić paliwo i olej.
- Nie używaj urządzenia z uszkodzonymi osłonami lub obudowami oraz bez elementów zabezpieczających, np. dołączonych osłon i/lub pojemników na trawę.
- Uruchamiaj silnik zgodnie z instrukcją, zwracając uwagę czy stopy są z dala od noży.
- Nie uruchamiaj kosiarki, gdy jest ona przechylona, chyba że jest to niezbędne w celu uruchomienia w wysokiej trawie. W tym przypadku należy, naciskając na uchwyt, unieść przednią część urządzenia, ale tylko na tyle, na ile jest to niezbędnie konieczne, po czym powoli opuścić kosiarkę na podłoże. Należy zwrócić uwagę, by podczas całej operacji obie dłonie pewnie trzymały uchwyt.



**Uwaga!** Silniki B&S nie mogą pracować na pochyłości powyżej 15°.

- Nie trzymaj rąk i stóp w pobliżu obracających się części. W przypadku kosiarek wirnikowych pilnuj, aby otwór wyrzutowy przez cały czas nie był zapchany.
- Podczas uruchamiania kosiarki z napędem nie przyciągaj dźwigni uruchamiającej napęd.

## KONSERWACJA I PRZECHOWYWANIE



### Ostrzeżenie!

- Przed przystąpieniem do czynności związanych z naprawą lub konserwacją upewnij się, że kosiarka ma zdjęty przewód wysokiego napięcia ze świecy zapłonowej i w pobliżu nie ma dzieci i osób trzecich.
- Pamiętaj o tym, że w zbiorniku maszyny może znajdować się paliwo. Zasady bezpieczeństwa dotyczące postępowania z paliwem zostały opisane w niniejszej instrukcji w części: „Bezpieczeństwo obchodzenia się z paliwem”.
- Utrzymuj w należyłym stanie wszystkie nakrętki, śruby i wkręty, aby być pewnym, że urządzenie będzie bezpiecznie pracowało. Sprawdzaj często pojemnik na trawę, czy nie jest zużyty bądź uszkodzony.



Upewnij się, czy są stosowane noże właściwego typu.

Po zakończeniu pracy należy kosiarkę wyczyścić. Zbiornik paliwa musi być opróżniony. Należy położyć kosiarkę na rękojęć (świeca zapłonowa w górze). Przy pomocy szczotki wyczyść wewnętrzną część obudowy kosiarki z resztek trawy i pyłu i ewentualnie zabezpiecz metalowe elementy środkami antykorozyjnymi. Całą kosiarkę możesz czyścić wilgotną szmatką i ewentualnie zabezpieczyć pastą do powłok lakierniczych.

Kosiarkę należy przechowywać w dobrze wentylowanym pomieszczeniu w suchym, niezakurczonym miejscu. Sprawdź, czy kosz na trawę jest opróżniony i porządnie wyczyszczony. Gnijąca trawa może uszkodzić kosz.

Należy przechowywać tylko sprawną kosiarkę, jeżeli zachodzi taka potrzeba, to przez składowaniem należy usunąć usterki.

Jeżeli kosiarka jest wyposażona w akumulator trzeba pamiętać, że optymalne warunki przechowywania dla akumulatora to temperatura od 10 do 21°C, niska wilgotność powietrza, akumulator naładowany w 50%.

## W RAZIE WYPADKU LUB AWARII

W razie wypadku należy natychmiast zatrzymać/wyłączyć maszynę i wezwać pomoc (jeśli tego wymaga sytuacja).

W razie awarii należy zatrzymać/wyłączyć maszynę i skontaktować się z autoryzowanym serwisem w celu uniknięcia awarii.

## BEZPIECZEŃSTWO I ODPOWIEDZIALNOŚĆ PRODUCENTA

Każde użycie kosiarki niezgodne z opisem zawartym w niniejszej instrukcji jest uznane za niewłaściwe i producent nie odpowiada za uszkodzenia i szkody wynikające z takiego postępowania.

Poprawne użytkowanie kosiarki obejmuje również respektowanie ustanowionych przez producenta warunków pracy, konserwacji, składowania i napraw.

W celu zapobieżenia wypadkom wszelkie zasady bezpiecznego użytkowania i unikania zagrożeń, muszą być przestrzegane.

Jakiegolwiek zmiany w budowie urządzenia wprowadzone przez użytkownika mogą wpłynąć na bezpieczeństwo użytkowania maszyny i zwalniają producenta z odpowiedzialności za powstałe uszkodzenia czy zranienia.

## **RYZIKO RESZTKOWE**

Pomimo tego, że producent ponosi odpowiedzialność za konstrukcję urządzenia eliminującą niebezpieczeństwo, pewne elementy ryzyka podczas pracy są nie do uniknięcia. Ryzyko resztkowe wynika z błędnego zachowania obsługującego urządzenie.

Największe niebezpieczeństwo występuje przy wykonywaniu następujących zabronionych czynności:

- użytkowanie urządzenia przez dzieci,
- używanie urządzenia do innych celów niż opisane w instrukcji obsługi,
- gdy inne osoby, a w szczególności dzieci lub zwierzęta znajdują się w pobliżu,
- używanie urządzenia przez osoby niezapoznane z instrukcją obsługi,
- używanie urządzenia bez właściwej, zabezpieczającej obsługującego odzieży i obuwia chroniącego stopy,
- używanie urządzenia z uszkodzonymi osłonami lub obudową oraz bez właściwie zamontowanych urządzeń zabezpieczających.

Przy przestrzeganiu zaleceń podanych w instrukcji obsługi zagrożenie resztkowe przy użytkowaniu urządzenia może być wyeliminowane. Istnieje ryzyko w przypadku niedostosowania się do powyższych zaleceń.

## **ZASTOSOWANIE**

Urządzenie jest przeznaczone wyłącznie do koszenia trawników zgodnie z opisem i zasadami bezpieczeństwa zawartymi w niniejszej instrukcji użytkowania. Inne zastosowanie może być niebezpieczne dla użytkowników i może być przyczyną uszkodzenia sprzętu.

Maszyny nie należy stosować między innymi do:

- zbierania liści czy oczyszczania terenu z suchych roślin,
- wyrównywania kretowisk,
- przycinania krzewów,
- rozdrabniania gałęzi.

## **PRZYGOTOWANIE DO PRACY**

Kosiarka dostarczona jest przez producenta w opakowaniu kartonowym w stanie częściowo rozmontowanym. Po zapoznaniu się z instrukcją obsługi oraz rysunkami montażowymi, złożenie kosiarki nie powinno sprawiać zbytnich trudności. Wszystkie potrzebne elementy do montażu znajdują się w opakowaniu. Ta instrukcja obsługi odnosi się do różnych modeli kosiarek. Omawiana kosiarka może różnić się od nabytej. Czytaj te fragmenty, które odnoszą się do modelu urządzenia, które posiadasz.

## **BUDOWA KOSIARKI SPALINOWEJ**

Rysunki poglądowe znajdują się na str. 3, Rys. 1-2

1. Rękojeść
2. Dźwignia hamulca silnika
3. Dźwignia napędu z linką
4. Dźwignia zaciskowa
5. Uchwyt rozrusznika z linką
6. Punkt mocowania linki rozrusznika



7. Kosz
8. Koło tylne
9. Nakrętka połączenia rękojeści z obudową
10. Przyłącze systemu mycia wodą
11. Koło przednie
12. Pokrywa filtra powietrza
13. Silnik
14. Korek wlewu paliwa
15. Korek wlewu oleju
16. Tłumik
17. Fajka świecy zapłonowej
18. Kłapa wyrzutu bocznego
19. Osłona / kierownica wyrzutu bocznego
20. Wskaźnik napełnienia kosza
21. Regulacja linki
22. Osłona kosza wyrzutu trawy
23. Dźwignia regulacji wysokości koszenia

## MONTAŻ

Rękojeść kosiarki została ustawiona fabrycznie w pozycji przechowywania.

- Ustaw dolną rękojeść w pozycję użytkowania upewniając się, czy rękojeść znajduje się pomiędzy ogranicznikami i dokręć ją nakrętką motylkową (Rys. 3).
- Ustaw górną rękojeść w pozycję użytkowania i zablokuj ją za pomocą dźwigni zaciskowej. Pokręcając nakrętkę zmieniamy długość śruby zacisku dźwigni zaciskowej zwiększając lub zmniejszając w ten sposób siłę mocowania. Mocowanie następuje w momencie dociśnięcia zacisku do rękojeści zgodnie z kierunkiem pokazanym strzałką na Rys. 4.



**Uwaga! Zbyt duże skrócenie śruby nakrętką może spowodować niemożliwość zaciśnięcia dźwigni zaciskowej, a w konsekwencji doprowadzić do uszkodzenia dźwigni.**



**Uwaga! Podczas rozkładania i składania rękojeści zwróć uwagę, by nie doszło do złamania lub pocięcia linki hamulca silnika. Pocięta lub w inny sposób uszkodzona linka może uniemożliwić prawidłową pracę kosiarki.**

- Zamocuj uchwyt linki rozrusznika 5 (Rys. 2) w punkcie mocowania 6 (Rys. 2).



**Uwaga! Linka rozrusznika wysuwa się z oporem. Przyciągnij do siebie dźwignię hamulca silnika i powoli ciągnąc wysuń linkę na konieczną długość. Trzeba pamiętać, że energiczne pociągnięcie linki rozrusznika może uruchomić kosiarkę.**

## NAPEŁNIANIE SILNIKA OLEJEM

Silnik fabrycznie nie jest napełniony olejem. W silniku mogą znajdować się śladowe ilości oleju pozostałe po kontroli technicznej w fabryce. Przed pierwszym uruchomieniem należy wlać około 0,6L rekomendowanego oleju silnikowego B&S SAE30 (Rys. 6A) sprawdzając jego poziom na bagnecie zintegrowanym z korkiem wlewu oleju (Rys. 6B).

Poziom oleju musi znajdować się pomiędzy kreskami: min. / max.

Zalecany jest oryginalny olej do kosiarek spalinowych firmy B&S SAE30

Pierwszą wymianę oleju należy przeprowadzić po 5h pracy kosiarki, po wypaleniu około dwóch zbiorników paliwa. Następne wymiany oleju należy przeprowadzać co 25h pracy, jednak nie rzadziej niż raz na rok.

Zużyty olej spuszczać, gdy silnik jest jeszcze gorący.

Należy systematycznie sprawdzać poziom oleju przed każdym uruchomieniem kosiarki.

W razie potrzeby należy uzupełnić olej.



**Uwaga! Zużytego oleju nie należy się pozbywać w sposób przypadkowy, wylewać do kanalizacji lub bezpośrednio do środowiska. Należy go odstawić do punktu utylizacji oleju.**

### TANKOWANIE PALIWA

- Przed rozpoczęciem użytkowania zapoznaj się z zasadami bezpieczeństwa, użytkowania, obsługi i przechowywania, zawartymi w niniejszej Instrukcji Obsługi.
- Paliwo należy nalewać na zewnątrz pomieszczeń, w miejscu, gdzie nie ma zagrożenia powstania iskier lub płomieni.
- Benzynę należy przechowywać tylko w odpowiednich pojemnikach (kanistrach), które posiadają atest. Sprawdzaj systematycznie stan pojemników do przechowywania paliwa.
- Zbiorniki paliwa należy bezpiecznie zamknąć. Ze względów bezpieczeństwa należy wymienić uszkodzone korki wlewu paliwa.
- Do przechowywania materiałów eksploatacyjnych, np. paliwa czy oleju, nie używać butelek po napojach lub podobnych, gdyż inne osoby, a zwłaszcza dzieci, mogłyby się z nich napić.
- Zbiornik paliwa należy napełniać tylko na wolnym powietrzu; w czasie tankowania nie wolno palić.
- Benzynę należy uzupełniać przed uruchomieniem silnika spalinowego.
- Nie wolno odkręcać korka zbiornika paliwa lub dolewać paliwa podczas pracy silnika spalinowego, lub gdy silnik jest gorący.
- Nie napełniać nadmiernie zbiornika paliwa! Ze względu na rozszerzalność cieplną paliwa nie wolno napełniać zbiornika powyżej dolnej krawędzi króćca wlewowego.
- Urządzenia nie wolno przechowywać z napełnionym zbiornikiem paliwa wewnątrz pomieszczeń. Powstające pary benzyny mogą zetknąć się z otwartym ogniem i ulec zapłonowi. Jeżeli istnieje konieczność opróżnienia zbiornika paliwa, należy zrobić to na zewnątrz pomieszczeń. Przed uruchomieniem maszyny należy upewnić się, że na maszynie i w jej pobliżu nie znajduje się rozlane paliwo. W razie potrzeby wytrzeć paliwo.



**Uwaga!** Opary benzyny są łatwopalne. Przed uruchomieniem kosiarki upewnij się, że pracująca maszyna znajduje się w odległości nie mniejszej niż 3m od zbiorników z paliwem.

### OBSŁUGA

#### DŹWIGNIA HAMULCA

Przed uruchomieniem silnika należy przyciągnąć dźwignię hamulca 2 (Rys. 1) do rękójści 1 (Rys. 1) jak pokazano na Rys. 8A.

Zwolnienie dźwigni hamulca powoduje zatrzymanie się silnika i noża tnącego.

## ROZRUCH SILNIKA



**Ostrzeżenie!** Kiedy silnik jest uruchomiony, noże tnące obracają się.

1. Sprawdź poziom oleju (Rys. 6B).
2. Napełnij zbiornik paliwa czystą benzyną bezołowiową (Rys. 5). Upewnij się, że przewód świecy zapłonowej jest podłączony do świecy (Rys. 7A, B).
3. Stań za kosiarką. Jedną ręką należy trzymać dźwignię hamulca 2 (Rys. 1) w pozycji pracy, jak pokazano na Rys. 8A.
4. Drugą ręką należy chwycić uchwyt linki rozrusznika 5 (Rys. 2), jak pokazano na Rys. 8C.
5. Lekko przyciągając do siebie linkę skasuj luz rozrusznika, a gdy poczujesz opór mocno i energicznie pociągnij linkę i pozwól jej powoli wrócić na swoje miejsce.
6. Nie puszczaj uchwytu linki aż do chwili, gdy linka zostanie wciągnięta przez układ powrotny rozrusznika.
7. Jeśli silnik nie uruchamia się po 5-6 pociągnięciach, postępuj zgodnie ze wskazówkami, opisanymi w rozdziale „Przeglądy i diagnozowanie problemów”.

## PRACA Z NAPĘDEM

Aby uruchomić napęd należy przyciągnąć do rękojeści 1 (Rys. 1) dźwignię napędu 3 (Rys. 1), jak pokazano na Rys. 8B.

W każdym momencie można wyłączyć napęd zwalniając dźwignię napędu i pracować urządzeniem, jak kosiarką bez napędu.

## USTAWIENIE WYSOKOŚCI KOSZENIA



**Uwaga!** Przed zmianą wysokości koszenia należy zatrzymać silnik i rozłączyć przewód świecy zapłonowej.

Żeby ustawić pożądaną wysokość koszenia, należy zmienić pozycję dźwigni regulacyjnej 23 (Rys. 2) znajdującej się na obudowie kosiarki (Rys. 9). Istnieje możliwość wyboru 6 różnych wysokości koszenia w zakresie 25 - 75 mm.

## MONTAŻ KOSZA NA TRAWĘ

1. Podnieś osłonę kosza kosiarki 22 (Rys. 2).
2. Włóż kosz 7 (Rys. 1) zaczepiając haki przy wlocie do kosza na przeznaczony do tego celu pręt przy osłonie wylotu kosiarki (Rys. 10), następnie opuść osłonę.
3. Należy upewnić się, czy haki są zamocowane prawidłowo.



**Ostrzeżenie!** Często sprawdzaj stan techniczny kosza na trawę. Jeśli jakiegokolwiek części są zużyte lub uszkodzone, należy je wymienić na części nowe, które są dostępne w autoryzowanych punktach serwisowych.

## OPRÓŻNIANIE KOSZA NA TRAWĘ

**Ostrzeżenie!** Przed opróżnieniem i zdejmowaniem kosza należy zatrzymać silnik.

Wskaźnik napełnienia kosza 20 (Rys. 2) pozwala na szybką ocenę poziomu wypełnienia kosza. Jeśli płytki wskaźnika podczas pracy kosiarki jest uniesiona (Rys. 11A) to oznacza, że kosz jeszcze nie jest pełny. Jeśli płytki wskaźnika podczas pracy kosiarki znajduje się w pozycji poziomej (Rys. 11B) to oznacza, że kosz jest pełny i należy go opróżnić.

## CZYSZCZENIE OBUDOWY ZESPOŁU TNĄCEGO



**Ostrzeżenie!** Kiedy silnik jest uruchomiony, noże tnące obracają się.

1. Po zakończeniu pracy należy dokładnie wyczyścić całe urządzenie.
2. Przed czyszczeniem obudowy należy zatrzymać silnik i rozłączyć przewód świecy zapłonowej.
3. Przed czyszczeniem należy opróżnić zbiornik paliwa.
4. Nie przechylając kosiarki na bok położyć ją na ziemi opierając o rękojęść tak, aby przednie koła były w powietrzu.
5. Spód kosiarki oczyścić przy użyciu szczotki i wody.

Nie stosować wysokociśnieniowych urządzeń czyszczących, gdyż woda pod wysokim ciśnieniem może zerwać ochronę lakierniczą obudowy. Nie wolno używać intensywnych środków czyszczących i myjących, np. agresywnych detergentów, mogą one uszkodzić tworzywa sztuczne i metale, co może skutkować pogorszeniem bezpieczeństwa pracy urządzenia.

Drugim sposobem umycia obudowy jest skorzystanie z systemu mycia obudowy.

Po podłączeniu węża do specjalnego szybkozłączca, które jest już zamontowane w obudowie kosiarki i odkręceniu wody uruchom kosiarkę. Urządzenie czyści się podczas obrotów noża, na który wpada silny strumień wypłukujący resztki zalegającej trawy. (Rys. 12)

## MONTAŻ OSŁONY WYRZUTU BOCZNEGO

Aby zamontować osłonę wyrzutu bocznego należy:

1. otworzyć klapę wyrzutu bocznego 18 (Rys. 2) (aby odblokować klapę należy najpierw obrócić osłonę osi (Rys. 14A, B)),
2. wsunąć osłonę wyrzutu bocznego 19 (Rys. 2) jak na Rys. 14C,
3. oprzeć klapę wyrzutu bocznego na osłonie wyrzutu bocznego (Rys. 14D).

## FUNKCJA MIELENIA

Mulczowanie (ściółkowanie) to zabieg pielęgnacyjny polegający na rozdrobieniu koszonej trawy. System mulczowania pozwala na pełne lub częściowe pozostawienie jej na glebie, gdzie ulega ona rozkładowi i dostarcza substancji pokarmowych.

Trawnik spełnia warunki do mulczowania, kiedy trawa ma nie więcej niż 4 cm. Trawnik, na którym będzie przeprowadzane mulczowanie, musi być regularnie i dość często koszony – nawet co kilka dni. Podczas mulczowania można pozostawiać na powierzchni trawnika, bez szkody dla trawnika, tylko młode i delikatne źdźbła, ponieważ ulegają one rozkładowi i nie gniją.

Aby uruchomić funkcję mielenia należy zdjąć kosz na trawę i usunąć osłonę wyrzutu bocznego (jeżeli była założona), zamontować przystawkę/zaślepkę do mielenia trawy (Rys. 13) do tylnego otworu wylotowego i zamknąć osłonę wyrzutu trawy do kosza.



**Żeby mulczowanie było w pełni efektywne należy dokupić nóż mielący.**

## FUNKCJA WYRZUTU BOCZNEGO

Aby pracować z użyciem wyrzutu bocznego należy:

1. zdjąć kosz na trawę 7 (Rys. 1) (jeżeli był założony), włożyć zaślepkę do mulczowania do tylnego otworu wylotowego (Rys. 13) i zamknąć osłonę wyrzutu trawy do kosza 22 (Rys. 2),
2. podnieść klapę wyrzutu bocznego i za pomocą zaczepów zamontować osłonę wyrzutu bocznego.

Uwaga: do podniesienia osłony wyrzutu bocznego może być potrzebne użycie dużej siły lub

otwarciu specjalnej blokady uniemożliwiającej jej samoczynne otwarcie (jeśli występuje w danym modelu) (Rys. 14A-C),

3. oprzeć klapę wyrzutu bocznego na osłonie wyrzutu bocznego (Rys. 14D).

## **KONSERWACJA**

### **OBSŁUGA NOŻA TNĄCEGO**



#### **Ostrzeżenie:**

Przed sprawdzaniem noża tnącego lub wałka mocowania noży należy rozłączyć przewód świecy zapłonowej. Jeśli nóż uderzy w jakiś przedmiot, zatrzymaj silnik, rozłącz przewód świecy zapłonowej i sprawdź kosiarkę pod kątem ewentualnych uszkodzeń. Sprawdź, czy nie został uszkodzony (wygięty lub pęknięty) wał korbowy od strony odbioru mocy lub adapter, do którego zamocowany jest nóż.

Adapter noża nie stanowi zabezpieczenia przed uszkodzeniem silnika podczas uderzenia noża w przedmioty inne niż trawa np. kamienie, gałęzie, kretowiska.

Często sprawdzaj czy noże nie są pogięte, czy nie są nadmiernie zużyte, czy nie ma jakichkolwiek innych uszkodzeń takich jak pęknięcia czy odkształcenia.

Uszkodzone części muszą być wymienione na nowe, zalecane przez producenta. Dla bezpieczeństwa należy wymieniać noże co dwa lata. Noże powinny być dobrze naostrzone (szczegóły w rozdziale „Ostrzenie noża”). Tępe noże szarpią trawę powodując zżółknięcie jej końcówek.



**Uwaga! Po każdym ostrzeniu należy bezwzględnie wyważyć nóż. Nóż niewyważony może być przyczyną niebezpiecznych wibracji, które mogą uszkodzić kosiarkę i/lub mogą być przyczyną wypadku.**

**Często sprawdzaj śrubę mocującą nóż. Śruba musi być mocno dokręcona momentem od 45 do 55 Nm.**

### **DEMONTAŻ NOŻA (Rys. 15A)**

1. Adapter
2. Nóż
3. Podkładka
4. Śruba



**Uwaga! Nóż tnący 2 (Rys. 15A) może być bardzo ostry, żeby uchronić ręce przed zranieniem zakładaj rękawice ochronne.**

1. Opróżnij zbiornik paliwa.
2. Drewnianym klokiem zabezpiecz nóż przed obracaniem się.
3. Odkręć śrubę mocującą nóż.
4. Sprawdź stan noża (patrz rozdział „Obsługa noża tnącego”).
5. Wymień zużyty lub uszkodzony nóż na nowy, zalecany przez producenta.
6. Dokręć śrubę momentem od 45 do 55 Nm. Zbyt słabo dokręcona śruba mocująca może spowodować poluzowanie się noża, co może być przyczyną wypadku.



**Uwaga! Podczas zakładania noża należy pamiętać o kierunku pracy noża. Jeśli nóż zostanie zamocowany nieprawidłowo, odwrotnie to nie będzie kosić we właściwy sposób i może być przyczyną wypadku.**

**NAJWAŻNIEJSZE PARAMETRY NOŻA (Rys. 15B)**

A - długość (560 mm), dopuszcza się stosowanie noży krótszych, jednak trzeba się wtedy liczyć z tym, że skuteczna szerokość cięcia będzie mniejsza,

B - szerokość (57 mm),

C - średnica otworu mocowania (11 mm),

D - rozstaw osi otworów (27,5 mm),

Średnica otworów okrąg 11x11 mm dla klinów bezpieczeństwa jest standardowa i wynosi 15,5 mm.

Zaleca się stosowanie noży tnących firmy MURRAY dedykowanych do danego modelu kosiarki.



**Uwaga! Kształt noża wskazuje na jego cechy, w zależności od kształtu nóż bardziej nadaje się do: koszenia z koszem, koszenia z wyrzutem bocznym lub mulczowania. Fabrycznie zastosowany nóż uniwersalny może okazać się mniej wydajny, niż byśmy tego oczekiwali, dlatego zaleca się dokupienie noży akcesoryjnych przeznaczonych do każdej funkcji, a więc jednego do mielenia, drugiego do wrzucania trawy do kosza.**

**OBSŁUGA ŚWIECY ZAPŁONOWEJ**

Świecę zapłonową (Rys. 16A) należy wymieniać na początku każdego sezonu lub po 100 godzinach pracy.

Należy używać oryginalnych świec zapłonowych B&S QC12YC / B&S 797429. Zalecana przerwa między elektrodami to 0,51 mm (Rys. 16B). Szczelinę sprawdzać za pomocą szczelinomierza listkowego.

**WYMIANA OLEJU**

Pierwszą wymianę oleju należy przeprowadzić po 4 do 5 godzin pracy silnika. Następne wymiany oleju przeprowadzać co 25 godzin pracy lub częściej. Korek spustu oleju może być zamontowany w bloku silnika, ale jest to uzależnione od modelu silnika. Jeżeli w silniku nie ma korka spustowego w bloku silnika to olej wylewamy korkiem wlewowym po uprzednim opróżnieniu zbiornika paliwa:

- Odkręć korek wlewu oleju z bagnetem.
- Wyjmij filtr powietrza, aby zapobiec wchłonięciu przez niego benzyny w momencie przechylania kosiarki.
- Przechyl kosiarkę na stronę korka wlewowego oleju 15 (Rys. 1).
- Pozostaw kosiarkę w tej pozycji do momentu, aż olej przestanie płynąć (może to potrwać kilka minut).

Po wylaniu oleju z silnika ustaw kosiarkę w płaskiej pozycji i wlej około 0,6L oleju silnikowego rekomendowanego B&S o specyfikacji SAE30 sprawdzając poziom na bagnecie zintegrowanym z korkiem wlewu oleju. Wkręć korek oleju z bagnetem i zamontuj filtr powietrza.

**WYMIANA FILTRA POWIETRZA (Rys. 18A,B)**

Co 25 godzin pracy należy kontrolować stan filtra powietrza. Wymianę filtra należy obowiązkowo przeprowadzać co 100 godzin pracy lub wcześniej, jeśli jest zanieczyszczony.

Poluzować element złączny A mocujący pokrywę filtra powietrza B (Rys. 18B).

1. Otworzyć pokrywę B (Rys. 18B).
2. Wyjąć filtr wstępny C oraz filtr powietrza D (Rys. 18B).
3. Jeśli filtr nie jest zniszczony:

- delikatnie postukać wkładem filtra powietrza D (Rys. 18B) twarde podłoże, aby usunąć zanieczyszczenia,
  - umyć element gąbkowy filtra C wodą z detergentem,
  - wycisnąć do sucha element gąbkowy w czystej szmatce,
  - nie nasączać elementu gąbkowego filtra olejem silnikowym.
4. Jeżeli filtr jest zniszczony lub uszkodzony wymienić filtr na nowy.
  5. Ponownie zamontować wszystkie elementy filtra powietrza, założyć i zamocować pokrywę filtra powietrza.

## REGULACJA LINEK

Podczas użytkowania kosiarki linki mogą się rozciągać i kurczyć. Należy je wtedy sprawdzić i właściwie wyregulować (jeżeli regulacja występuje w danym modelu). W tym celu należy zluźnić małą nakrętkę ustalającą 1 (Rys. 19), a następnie w zależności od potrzeb:

1. obracać nakrętkę regulacyjną 2 (Rys. 19) w kierunku przeciwnym do ruchu wskazówek zegara: linka ulega skróceniu,
2. obracać nakrętkę regulacyjną 2 (Rys. 19) w kierunku ruchu wskazówek zegara: linka wydłuży się.

## SMAROWANIE

Aby nasmarować zębatkę koła napędowego tylnego 8 (Rys. 1) należy:

1. Zdjąć kołpak koła tylnego napędowego przekręcając kołpak w lewą stronę (kierunek przeciwny do kierunku ruchu wskazówek zegara).
2. Odkręcić nakrętkę koła napędowego za pomocą klucza 13 mm.
3. Zdjąć koło napędowe z osi.
4. Zdemontować pierścień Segera 24 (Rys. 20) a następnie zsunąć zębatkę napędową 25 (Rys. 20) z wałka przekładni 27 (Rys. 21).
5. Zębatkę, zabierak napędu 26 (Rys. 21) oraz wałek przekładni należy oczyścić z pozostałości przpracowanego smaru oraz nasmarować delikatnie powyższe elementy. Zalecany smar do tej czynności to smar do przekładni kątowych MURRAY.



**UWAGA! Koło zębate nasmarować od wewnętrznej strony 25 (Rys. 21). Nie smarować zewnętrznego wieńca zębatki napędowej oraz koła napędowego.**

6. Założyć cały mechanizm napędu kosiarki w odwrotnej kolejności.

## TRANSPORT

### PRZYGOTOWANIE DO TRANSPORTU

- Przed transportem kosiarki należy usunąć olej, a następnie: schłodzić silnik, usunąć paliwo ze zbiornika, gaźnika i przewodów paliwowych.
- Urządzenie można transportować tylko w pozycji roboczej, czyli pod kątem maksymalnie 15 stopni od poziomu.
- Dopuszczalne jest złożenie rękojeści.



**Uwaga! Bądź ostrożny przy składaniu lub rozkładaniu rękojeści, ponieważ można uszkodzić linki. Uszkodzone linki mogą być przyczyną złego funkcjonowania kosiarki, a w niektórych przypadkach obniżyć bezpieczeństwo użytkownika urządzenia.**

**PRZEGLĄDY I DIAGNOZOWANIE PROBLEMÓW****PRZEGLĄDY**

Przeeglądy		Przed każdym użyciem	Po 5 godz. pracy	Po każdych 25 godz. pracy lub raz na sezon	Przed przechowywaniem	Po każdych 100 godz. pracy	Po każdym użyciu
Olej silnikowy	sprawdź	x					
	wymień		x (tylko 1 wymiana)	x			
Filtr powietrza	sprawdź	x					
	oczyść		x				
	wymień			x			
Świeca zapłonowa	sprawdź			x			
	wymień					x	
Nóż tnący	sprawdź	x					
	naostrz			x			
Regulacja linek	sprawdź		x				
Adapter	sprawdź	x					
Zabezpieczenie napędu	sprawdź		x				
Pasek napędu	wymień			x (przed każdym sezonem)			
Połączenia gwintowe	sprawdź	x			x		
Paliwo	sprawdź	x					
	opróżnij				x		
Spód kosiarki	oczyść		x				x
	zakonserwuj				x		
Smarowanie	wykonaj			x	x		
Zawory	sprawdź / wyreguluj			x			

**Coroczna, po- lub przedsezonowa płatna kontrola przeprowadzona w serwisie pozwoli uniknąć problemów w trakcie sezonu.**

**USUWANIE USTEREK**

Problem	Możliwa przyczyna	Rozwiązanie problemu
Urządzenie nie załącza się.	Brak paliwa.	Należy sprawdzić poziom paliwa i w razie potrzeby dolać paliwa.
	Zalana świeca zapłonowa.	Sprawdzić, wyczyścić lub wymienić świecę zapłonową.
	Przerwa w układzie zapłonowym lub zanieczyszczony układ paliwowy.	Zlecić naprawę serwisowi sprzętu ogrodniczego, najlepiej jest powierzyć kosiarkę autoryzowanemu serwisowi MURRAY.



Problem	Możliwa przyczyna	Rozwiązanie problemu
Kosiarka pracuje nierówno.	Zanieczyszczony filtr powietrza.	Wymienić lub wyczyścić filtr.
	Paliwo niskiej jakości.	Usunąć paliwo i zatankować kosiarkę paliwem wysokiej jakości.
	Zapchany przewód paliwowy, nie ma paliwa lub nieświeża mieszanka.	Wyczyścić przewód paliwowy, sprawdzić podawanie paliwa, dolać świeżej mieszanki paliwowej.
	Woda, olej lub brud w systemie paliwowym.	Opróżnić gaźnik za pomocą śruby zlewu paliwa i uzupełnić świeżą mieszanką.
	Zalany gaźnik olejem po przechyleniu kosiarki na bok.	Oczyścić gaźnik z oleju.
Silnik gaśnie.	Źle wyregulowana linka hamulca.	Dokonać odpowiedniej regulacji.
	Brudny filtr powietrza.	Wymienić filtr.
Silnik dymi	Tłumik zalany olejem po przychyleniu kosiarki na bok.	Uzupełnić olej i uruchomić kosiarkę na 15 min., olej sam się wypali.
Nadmierne wibracje.	Uszkodzony adapter noża.	Wymienić.
	Krzywy wał silnika (po uderzeniu).	Natychmiast zatrzymać silnik i zdjąć fajkę świecy zapłonowej. Dokręcić wszystkie śruby i dokonać innych właściwych napraw. Jeśli wibracja nie zniknie powierzyć naprawę autoryzowanemu punktowi serwisowemu.
	Poluzowane mocowanie podzespołów.	
Kosiarka nie wyrzuca trawy do kosza.	Za wysoka trawa.	Kosić na dwa razy.
	Mokra trawa.	Nie kosić.
	Odwrotnie założony lub zużyty nóż tnący.	Założyć prawidłowo lub wymienić nóż tnący.
	Brudne podwozie kosiarki.	Wyczyścić podwozie kosiarki.
	Brudny lub przepełniony kosz.	Opróżnić i oczyścić kosz.
	Za niskie obroty silnika.	Wyregulować obroty w autoryzowanym serwisie.
Nie działa napęd kół (wersja z napędem).	Zużyty lub uszkodzony pas napędowy.	Wymienić pas napędowy kół.
	Zalegająca ścięta trawa.	Oczyścić mechanizm przenoszenia napędu.
	Źle wyregulowana linka napędu.	Wyregulować linkę napędu.
	Zużyty mechanizm zabezpieczenia napędu.	Wymienić koło zębate.
	Spadł pasek napędu.	Sprawdź, czy pasek napędu jest prawidłowo osadzony na kołach pasowych, w razie potrzeby załóż go.

### **GWARANCJA I SERWIS**

Zakupiony przez Państwa produkt przeznaczony jest wyłącznie do użytku amatorskiego (hobbystycznego). W przypadku użytkowania sprzętu do innych celów (zarobkowych, zawodowych), spowoduje to utratę odpowiedzialności gwaranta za zakupione urządzenie. Informacje na temat gwarancji oraz sieci serwisowej **MURRAY** można znaleźć w dołączonej karcie gwarancyjnej.

**DEKLARACJA ZGODNOŚCI****Deklaracja zgodności WE**

Producent:

nazwa: NAC Sp. z o.o.  
adres: Al. Krakowska 39, 05-090 Raszyn, Polska

z pełną odpowiedzialnością deklaruje, że maszyna:

nazwa: Kosiarka spalinowa  
model: EQ2-700X  
numer seryjny: 033 22 2490745490 9000 000001 – 033 25 2490745490 9000 999999

spełnia zasadnicze wymagania:

- dyrektywy maszynowej MD 2006/42/EC,
- dyrektywy dotyczącej kompatybilności EMC 2014/30/UE,
- dyrektywy dotyczącej hałasu NEE 2000/14/EC załącznik VI oraz 2005/88/EC,

spełnia wymagania następujących norm zharmonizowanych:

- EN ISO 5395-1:2013+A1,
- EN ISO 5395-2:2013+A1+A2,
- AfPS GS 2014:01 PAK,
- EN ISO 14982:2009,
- EN ISO 3744:1995,
- ISO 11094:1991

oraz spełnia wymagania:

- 2016/1628/EU.

2000/14/EC: zastosowana procedura oceny zgodności według załącznika VI

- zmierzony maksymalny poziom mocy akustycznej:  $L_{WA}$  wynosi 94 dB(A),
- gwarantowany poziom mocy akustycznej:  $L_{WA}$  wynosi 98 dB(A).

Procedury oceny zgodności wg NEE 2000/14/EC zrealizowano przy udziale jednostki notyfikowanej:

nazwa: TÜV Rheinland LGA Products GmbH  
adres: Tillystrasse 2, 90431 Nürnberg, Germany  
numer identyfikacyjny: 0197

Miejsce złożenia i przechowywania Dokumentacji technicznej:

NAC Sp. z o.o.  
Al. Krakowska 39,  
05-090 Raszyn

Jarosław Malinowski

Dyrektor ds. technicznych i certyfikacji

Raszyn, 30 listopada 2021

# GWARANCJA

*Szanowni Państwo!*

*Dziękujemy za dokonanie zakupu naszego produktu i gratulujemy trafnego wyboru. Urządzenie, które Państwo kupiliście, zostało zaprojektowane i wyprodukowane według najnowszych technologii oraz reprezentuje światowe standardy jakości i niezawodności, jednocześnie będąc przyjaznym dla środowiska.*

*Przypominamy o obowiązku dokładnego zapoznania się z procedurami uruchomienia oraz eksploatacji przed rozpoczęciem korzystania z urządzenia; procedury te są zawarte w dostarczonej z urządzeniem Instrukcji Obsługi.*

*Nasza wyspecjalizowana sieć serwisowa służy Państwu wszelką pomocą w zakresie porad technicznych jak i eksploatacyjnych.*

*Przydatne informacje serwisowe oraz lista autoryzowanych punktów serwisowych znajdują się na stronie: **[www.murray.com](http://www.murray.com)***

## **WARUNKI GWARANCJI**

Na terenie Polski gwarantem jest NAC Sp. z o.o.

1. Firma NAC gwarantuje sprawne działanie urządzenia Murray zgodnie z warunkami techniczno-eksploatacyjnymi opisanymi w Instrukcji Obsługi.
2. Na urządzenie udziela się 24 miesięcznej gwarancji konsumentowi „(tj. osobie fizycznej dokonującej z przedsiębiorcą czynności prawnej niezwiązanej bezpośrednio z jej działalnością gospodarczą lub zawodową)” oraz 12-miesięcznej gwarancji przy zakupie przez przedsiębiorcę [(tj. osobę fizyczną, osobę prawną i jednostkę organizacyjną, prowadzącą we własnym imieniu działalność gospodarczą lub zawodową)]. Po tym okresie użytkownik ma prawo do napraw odpłatnych.
3. Wszystkie uszkodzenia ujawnione w okresie obowiązywania gwarancji wynikające z wad materiałowych, montażowych lub produkcyjnych będą usuwane bezpłatnie.
4. Podstawą do uzyskania ochrony gwarancyjnej jest dowód zakupu urządzenia od Autoryzowanego Dystrybutora sprzętu MURRAY wraz z podpisanym w dniu sprzedaży drukiem niniejszej karty gwarancyjnej wydanym przez oficjalnego Autoryzowanego Dystrybutora marki MURRAY. Ochrona gwarancyjna nie będzie udzielana, jeżeli druk gwarancji będzie poświadczony/podstemplowany przez firmę niebędącą Autoryzowanym Dystrybutorem marki MURRAY. Niniejsza gwarancja obowiązuje na terenie Rzeczypospolitej Polskiej.
5. Wady urządzenia podlegające gwarancji będą usuwane w terminie do 14 dni roboczych od daty przyjęcia w Autoryzowanym Serwisie MURRAY. Termin ten może ulec wydłużeniu do 30 dni roboczych w wyjątkowych przypadkach.
6. Z przyczyn niezależnych od Gwaranta wskazany powyżej termin może ulec wydłużeniu, w szczególności, gdy produkt wymaga dodatkowej weryfikacji/ekspertyzy lub wystąpią okoliczności mające postać siły wyższej uniemożliwiającej jego zachowanie np.: powódź, pożar, strajki, klęski żywiołowe, restrykcje importowe itp.
7. W zakres gwarancji nie wchodzi czynności takie jak: montaż, konserwacja, obsługa okresowa regulacja i czyszczenia, a także przeglądy, wymiana oleju i filtrów wraz z materiałami i częściami użytymi do w/w czynności. Czynności te mogą być wykonane odpłatnie.
8. W celu usunięcia wad lub uszkodzeń urządzenie wraz z dowodem zakupu i ważną kartą gwarancyjną należy dostarczyć do: najbliższego Autoryzowanego Serwisu lub skorzystać z wygodnego systemu „door to door” lub do miejsca zakupu. Urządzenie powinno zostać uprzednio oczyszczone. Serwis/sklep może odmówić naprawy urządzenia nieoczyszczonego. Jeżeli urządzenie ma zostać wysłane, przed przekazaniem go kurierowi lub sprzedawcy należy bezwzględnie opróżnić z niego płyny eksploatacyjne (paliwo i olej). Opakowanie musi zapewnić bezpieczny transport, zaleca się opakowanie oryginalne.
9. Sposób naprawy ustala gwarant. Gwarant nie ma obowiązku dostarczenia urządzenia zastępczego na czas naprawy gwarancyjnej.
10. Gwarancja ta obowiązuje pod warunkiem, że urządzenie jest prawidłowo eksploatowane, konserwowane i obsługiwane zgodnie z dołączoną instrukcją obsługi.
11. Użytkownik jest obowiązany do natychmiastowego zaniechania użytkowania uszkodzonego urządzenia. Kontynuacja pracy uszkodzonym urządzeniem może powodować powstanie kolejnych usterek oraz zagrażać zdrowiu lub życiu użytkownika lub osób trzecich.
12. Gwarancją nie są objęte uszkodzenia powstałe w wyniku: uszkodzeń mechanicznych, niewłaściwego użytkowania, dokonywania modyfikacji oraz napraw dokonanych przez osoby nieupoważnione. Dotyczy to również zamontowania i używania niewłaściwych części oraz filtrów, smarów, olejów, paliw.
13. Zniszczenie plomb gwarancyjnych, o ile są, lub tabliczki znamionowej z numerem seryjnym, może być podstawą do odrzucenia gwarancji.
14. Gwarancja nie obejmuje wad powstałych na skutek uderzenia pioruna, pożaru, powodzi i innych klęsk żywiołowych.
15. Gwarancji nie podlegają elementy eksploatacyjne i ulegające naturalnemu zużyciu podczas pracy i podlegające kontroli stanu przez użytkownika takie jak: paski klinowe, żarówki, filtry, świece zapłonowe, koła jezdne, noże i ostrza tnące, uchwyty noży, głowice żyłkowe, łańcuchy tnące, prowadnice łańcucha, linki sterownicze, wpusty i kołki przeciążeniowe.
16. Firma NAC nie odpowiada za bezpośrednie lub pośrednie szkody, straty bądź koszty wynikłe z zastosowaniem, bądź brakiem możliwości zastosowania urządzenia do jakiegokolwiek celu.
17. Jeżeli przed przystąpieniem do naprawy konieczne jest przeprowadzenie czynności związanych z konserwacją urządzenia to Serwis/sklep może przeprowadzić takie czynności odpłatnie za zgodą użytkownika/reklamującego.
18. Jeżeli podczas naprawy stwierdzono konieczność wymiany elementów związanych z bezpieczeństwem użytkowania lub osób trzecich (m.in. ostrza tnące, łańcuchy, prowadnice, osłony elementów tnących i inne związane z bezpieczeństwem), to serwis jest zobowiązany do wymiany tych elementów nawet wtedy, gdy wiąże się to z koniecznością pobrania opłat za zgodą użytkownika/reklamującego. W przypadku odmowy serwis zwróci produkt bez dokonania jakichkolwiek napraw.
19. Gwarancja nie obejmuje ewentualnych szkód wyrządzonych przedmiotom lub osobom.
20. Gwarancja na sprzedany towar nie wyłącza, nie ogranicza ani nie zawiesza uprawnień kupującego będącego osobą fizyczną wynikających z przepisów o rękojmi za wady rzeczy sprzedanej.

**KARTA GWARANCYJNA**.....  
Nazwa sprzętu \*.....  
Model \*.....  
Data sprzedaży \*.....  
Nr fabryczny urządzenia \*.....  
Nr fabryczny silnika

Oświadczam, że zapoznałem się z Instrukcją obsługi oraz Kartą gwarancyjną. Zakupiony sprzęt otrzymałem sprawny, kompletny, wraz z dowodem zakupu.

.....  
Czytelny podpis nabywcy ..........  
Pieczętka i czytelny podpis sprzedawcy\*<sup>1</sup>\* *Wypełnia sprzedawca*\*<sup>1</sup> **Oświadczam, że jestem oficjalnym Autoryzowanym Dystrybutorem sprzętu MURRAY.**

Złożenie oświadczenia niezgodnego ze stanem faktycznym przez podmiot niebędący autoryzowanym Dystrybutorem sprzętu MURRAY może skutkować odpowiedzialnością karną sprzedawcy na podstawie art. 271 i art. 286 Kodeksu Karnego.

Lp.	Daty	Nr protokołu naprawy	Pieczętka zakładu
	Data zgłoszenia sprzętu		
	Data zakończenia naprawy / Data wydania sprzętu		
	Data zgłoszenia sprzętu		
	Data zakończenia naprawy / Data wydania sprzętu		
	Data zgłoszenia sprzętu		
	Data zakończenia naprawy / Data wydania sprzętu		
	Data zgłoszenia sprzętu		
	Data zakończenia naprawy / Data wydania sprzętu		
	Data zgłoszenia sprzętu		
	Data zakończenia naprawy / Data wydania sprzętu		

Oryginalny protokół naprawy jest równoważny z wpisem w karcie gwarancyjnej.







[WWW.MURRAY.COM](http://WWW.MURRAY.COM)

MURRAY is a trademark of Briggs & Stratton Power Products Group, LLC.