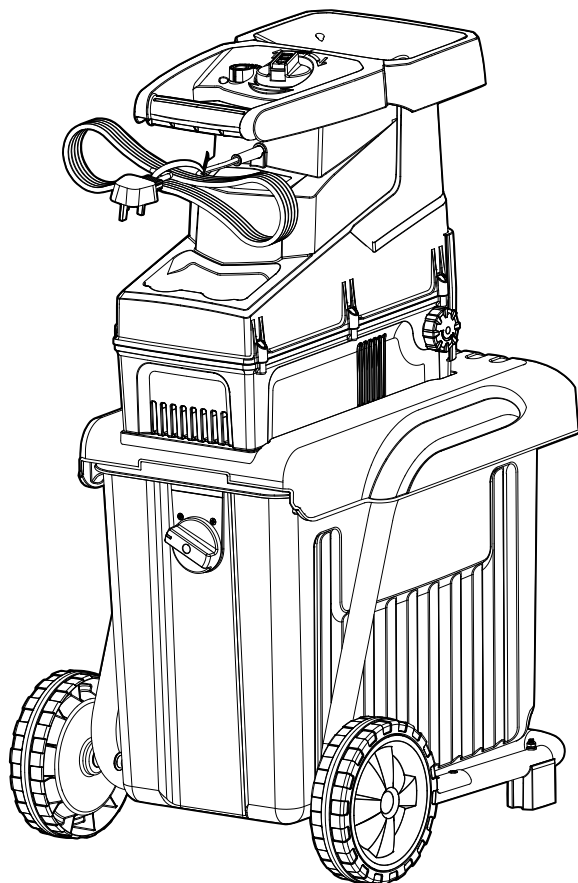



# LawnMaster<sup>®</sup>

## Instruction Manual

2800W Electric Silent Shredder SDS2810

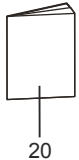
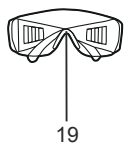
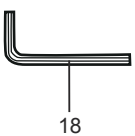
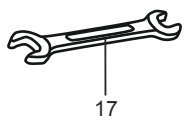
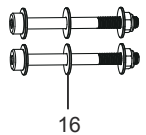
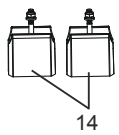
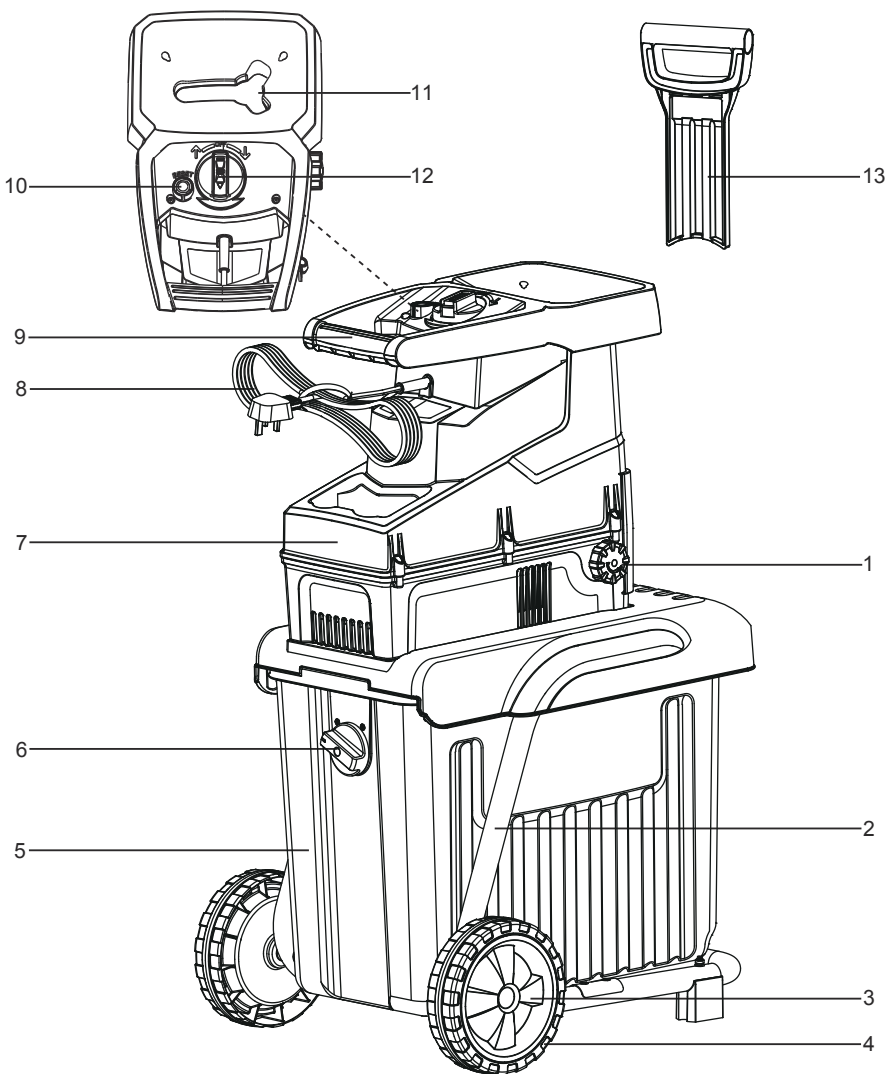


Original Instructions

 **WARNING:** Read all safety instructions carefully before assembling and operating this machine. Ensure the machine has been assembled correctly and safely. Keep the instructions safe and pass them on to any subsequent user so that the information is always available.




















# TABLE OF CONTENTS

---

<b>Section</b>	<b>Page</b>
Symbols	5
Safety Information	6-13
In the Box	13
Assembly	14-15
Operation	16-18
Maintenance	19-20
Troubleshooting	21
Technical Data	22
Recycling and Disposal	22

# SYMBOLS

The following warning symbols appear throughout this manual and indicate the appropriate safety measures you should take when operating and maintaining the appliance.

SYMBOL	DESIGNATION/EXPLANATION
	Caution
	Read instruction manual.
	Wear eye and ear protection.
	Wear hand protection.
	Do not expose to rain.
	Switch off and remove the plug from the mains before adjusting, cleaning or if the cord is entangled or damaged.
	Danger! Rotating blades. Keep hands and feet out of openings while the machine is running.
	WARNING! Danger from flying objects. Keep your distance from the funnel and ejection area. Keep bystanders away.
	Wait until all machine components have completely stopped before touching them.
	Do not use as a step.
	Noise level specification Lwa in dB(A).
	Protection class II (Double insulation).
	Do not dispose of electrical equipment in domestic waste.
<b>IP24</b>	Protection against contact with the fingers and solid foreign bodies with $\text{Ø} \geq 12.5\text{mm}$ , as well as protection against splashed water from all directions.
<b>P40</b>	Machine operated intermittently each cycle comprising a period of operation of 40s at rated power input and a period of 60s with the machine at no load.

## SYMBOLS

---



### WARNING

To avoid serious personal injury, do not attempt to use this product until you read thoroughly and understand completely the instruction manual.

If you do not understand the warnings and instructions in the instruction manual, do not use this product.

---

## SAFETY INFORMATION

---

### IMPORTANT

**READ CAREFULLY BEFORE USE. KEEP FOR FUTURE REFERENCE.**

---



### IMPORTANT!

When using this equipment, the following safety precautions must be followed to avoid injuries and damage.

---

- Read the instructions carefully. Be familiar with the controls and the proper use of the machine.
  - Never allow people unfamiliar with these instructions or children to use the machine. Local regulations may restrict the age of the operator.
  - The operator or user is responsible for accidents or hazards occurring to other people or their property.
  - Keep this manual in a safe place so that the information is available at all times.
-

## **SAFETY INFORMATION**

---

- If you give the equipment to any other person, give them these operating instructions as well.
- We accept no liability for damage or accidents which result from non-compliance with these instructions.
- Observe local noise and other regulations.

### **Preparation**

- This appliance must not be used by people (including children) with reduced physical, sensory or mental capabilities, or lack of experience and knowledge, unless they have been given supervision or instruction concerning use of the appliance by a person responsible for their safety.
- Children must be supervised to ensure that they do not play with the appliance.
- Never operate the shredder while people, especially children, or pets are nearby.
- Wear appropriate hearing and eye protection at all times when operating the shredder.
- Wear appropriate protective clothing, such as protective gloves, firm footwear and long trousers. Do not operate the shredder when barefoot or wearing open sandals. Do not wear loosely fitting clothes, or clothes with dangling cords or belts.
- Only use the shredder in the open (that is, away from walls or other rigid structures) and on a firm, level surface.
- Do not operate the shredder on a paved or gravel surface where ejected material could cause injury.
- Before use, always visually inspect to see that the shredding means, all of the nuts, bolts and other fastenings

## **SAFETY INFORMATION**

---

are tight. Covers and shields must be fastened properly and in good working order. Replace any damaged or illegible stickers.

- Before use, check the power supply and extension cord for signs of damage or aging. If the cord becomes damaged during use, disconnect the cord from the supply immediately. **DO NOT TOUCH THE CORD BEFORE DISCONNECTING THE SUPPLY.** Do not use the machine if the cord is damaged or worn.
- For your personal safety use replacement parts and accessories supplied and recommended by the manufacturer.
- Only supply power to the machine through a circuit protected by a residual current device (RCD) with a tripping current of not more than 30mA.
- Keep all guards and shields in place and in good working condition.

### **Operational Safety**

- Before starting the shredder, make sure that the hopper funnel is empty.
- Keep your head, hair and body away from the intake opening.
- Do not reach into the hopper funnel during operation. The shredder will continue to run for a short period after switching it off.
- Keep hands, other body parts and clothing out of the filling chamber and ejection channel, and away from other moving parts.



## SAFETY INFORMATION


---

- Always make sure you are standing in a firm, balanced position. Do not overreach. Do not lean forwards, and never stand above the shredder when inserting materials.
- Always stand clear of the discharge zone when operating this machine.
- Make sure that the material inserted into the shredder does not contain hard objects made of metal, stone, glass or similar.
- Do not use the shredder in the rain or in bad weather. Work in daylight or under good artificial lighting conditions.
- Do not operate the shredder when you are tired or distracted, or under the influence of alcohol or medication. Always take a break when you need one and be sensible about how you work.
- Do not leave the shredder working unattended.
- Shut off the shredder before attaching or removing the collection box.
- If the shredder is making unfamiliar noises or vibrations, or the cutting mechanism has struck any foreign objects, immediately switch it off, and allow the shredder to stop. Disconnect the power cable and take the following steps before starting up again:
  - inspect for damage,
  - replace or repair any damaged parts,
  - check for and tighten any loose parts.
- Switch off the shredder and remove the plug from the power supply under the following circumstances:
  - when you are not using the shredder,
  - transporting it or leaving it unattended,
  - before releasing a jammed blade,

## SAFETY INFORMATION

---

- when you are checking the shredder, cleaning it or removing blockages,
  - when you are carrying out cleaning or maintenance work or replacing accessories,
  - before moving or lifting the shredder.
- Do not transport or tilt the shredder with the motor running.
  - Do not allow shredded material to accumulate near the ejection area. This may otherwise hinder proper ejection and force the material back up through the funnel.
  - In the event of blockages in the machine intake or ejection channel, switch off the motor and disconnect the machine from the mains before removing leftover material in the intake opening or ejection channel.
  - Ensure that the motor is free of rubbish and other accumulations in order to safeguard the motor from damage or possible fire.

 **CAUTION!** The following states how damage to the shredder and possible injury to people can be avoided:

- Handle the unit with care. Clean the ventilation slots regularly and follow the maintenance instructions.
- Do not overload your device. Work only within the indicated range of performance. Do not use low power machines for heavy-duty work. Do not use your device for purposes for which it has not been designed.
- Only switch the shredder off once the hopper funnel is completely empty. The shredder may otherwise clog up and not be able to start afterwards.
- Do not attempt to repair the shredder yourself unless you are qualified to do so.


# SAFETY INFORMATION

---

## Maintenance and Storage Safety

- When the shredder is stopped for servicing, inspection, or storage, or to change an accessory, shut off the power source, disconnect the plug from the supply and make sure that all moving parts have come to a complete stop. Allow the shredder to cool before making any inspections, adjustments, etc. Maintain the machine with care and keep it clean.
- Store the shredder in a safe, dry place out of the reach of children.
- Always allow the shredder to cool before storing.
- When servicing the shredder blade, be aware that even though the power source is switched off due to the interlock feature of the guard, the shredder blade can still be moved.
- Replace worn or damaged parts for safety. Use only genuine replacement parts and accessories.
- Never attempt to override the interlocked feature of the guard.

## Electrical Safety

 **CAUTION!** The following states how to avoid accidents and injuries due to electric shock:

- Only use extension cables that have been approved for outdoor use and are earthed and splash-proof. The core diameter for extension cables measuring up to 25m must be at least 1.5mm<sup>2</sup>, and 2.5mm<sup>2</sup> for cables longer than 25m. Always roll the whole cable off the reel before use. Check the cable for damage. If the cable is damaged whilst the shredder is working, disconnect the mains plug from

## **SAFETY INFORMATION**

---

the power supply immediately and then check the extent of the damage. Never use the shredder if the cable is not in perfect condition.

- Do not unplug the shredder by pulling on the cable, only pull the plug itself. Keep the cable away from heat, oil and sharp edges.
- Do not use the appliance if the on/off switch does not work properly. Always have a damaged switch repaired by a qualified technician.
- Do not touch the mains power supply cable under any circumstances.
- If the power cable for this equipment is damaged, it must be replaced by a qualified person in order to prevent hazards.

### **Functional Description**

- The silent shredder is equipped with a powerful motor and motor brake, overload protection with an auto-reverse system, and restart prevention for additional safety. A blade cylinder system is used for cutting, which works quietly and automatically draws in the shredding material. The sturdy chassis ensures a stable standing position with good mobility.

# SAFETY INFORMATION

---

## Intended Use

This shredder is designed for domestic use only:

- The shredder is intended for shredding fibrous and wood-related materials such as hedge and tree cuttings, branches, bark and pine cones. Any use not expressly permitted in this manual may damage the shredder and pose a serious danger to the user.
- This product is intended for private domestic use only, not for any commercial trade use. It must not be used for any purposes other than those described. Any use of the machine that deviates from its intended use and is not included in these instructions is considered unauthorised use and relieves the manufacturer from his or her legal liability.

## IN THE BOX

---

- |                                  |   |
|----------------------------------|---|
| 1. Cutting Blade Adjustment Knob | 11. Hopper                                    |
| 2. Chassis                       | 12. Operation Mode Selection Switch           |
| 3. Wheel Cover                   | 13. Pusher                                    |
| 4. Wheel                         | 14. Foot Assembly (x2)                        |
| 5. Collection Box                | 15. Screw (x4, for Shredder Unit and Chassis) |
| 6. Collection Box Safety Switch  | 16. Screw Assembly (x2, for Wheels)           |
| 7. Shredder Unit                 | 17. Spanner                                   |
| 8. Power Cord                    | 18. Allen Key                                 |
| 9. Transport Handle              | 19. Safety Glasses                            |
| 10. Reset Switch                 | 20. Instruction Manual                        |

# ASSEMBLY

---

## Assembly Preparation (See Fig. 1)

- Carefully remove all contents from the product packaging.
  - For compact storage and transportation, the shredder unit can be stored in the collection box. Pull the collection box out of the chassis and take out the shredder unit and accessories (Fig. 1).
  - Ensure you have all the accessories and tool(s) needed for assembly and operation. This also includes suitable personal protective equipment.
- 



## WARNING

If any parts are damaged or missing do not operate this product until the parts are replaced. Failure to pay attention to this warning could result in serious personal injury.

---



## WARNING

Do not attempt to modify this product or create accessories not recommended for use with this product. Any such alteration or modification is misuse and could result in a hazardous condition leading to possible serious personal injury.

---



## WARNING

Do not connect to power supply until assembly is complete. Failure to comply could result in accidental starting and possible serious personal injury.

---



## WARNING

Never operate the shredder without the proper safety devices in place and in correct working order. Never operate the shredder with damaged safety devices. Failure to pay attention to this warning can result in serious personal injury. Make sure all packing is removed from product parts before starting assembly.

---

## Assembling the Wheels and Feet (See Figs. 2&3)

- Use the screw assemblies, Allen key and spanner provided to assemble the two wheels to the chassis and ensure the washers are used correctly as illustrated. Clip the two wheel covers into the wheels (Fig. 2).
  - Secure the two feet to the chassis as illustrated (Fig. 3).
-

# ASSEMBLY

---

## Attaching the Shredder Unit (See Fig. 4)

Place the shredder unit onto the chassis. Fix it from underneath with the four screws provided (Fig. 4).

## Inserting the Collection Box (See Figs. 5&6)

**NOTE:** Before inserting the collection box, make sure the collection box safety switch is in the 'UNLOCK' position.

- Insert the collection box into the chassis. The collection box can only be fitted in one direction (Fig. 5).
- Lock the the collection box by rotating the safety switch clockwise to the 'LOCK' position (Fig. 6).

**NOTE:** The collection box must be locked firmly; otherwise the shredder cannot be switched on.

## OPERATION

---



### WARNING

Do not allow familiarity with this type of product to make you careless. Always pay attention when operating this product, not doing so can result in serious injury.

---



### WARNING

Always use protective equipment when working with the shredder. Do not use any attachments or accessories not recommended by the manufacturer of this product. The use of attachments or accessories not recommended can result in serious personal injury.

---

#### Starting/Stopping the Shredder (See Fig. 7)

**NOTE:** The shredder will not switch on unless the collection box is fitted correctly and the collection box safety switch is firmly engaged in the 'LOCK' position.

**NOTE:** Make sure that the hopper funnel is empty before starting. Starting the hopper when full may result in the machine jamming.

- Check to make sure that the shredder unit is firmly attached to the chassis, and the collection box and collection box safety switch are in the correct positions.
- Connect the shredder to a suitable power supply.

**NOTE:** Use only an appropriate extension cable that has been approved for outdoor use and that is earthed and splash-proof. Refer to Safety Information section for more detailed information.

- To switch on, push forward the safety lock ( ① ) located in the centre of the operation mode selection switch. Turn the switch clockwise to the stop (Fig. 7).
  - To switch off, turn the operation mode selection switch to the middle 'OFF' position.
- 



### WARNING

The cutting blade may continue to rotate for a few seconds after switching off the shredder.

---

#### Cutting Blade Gap Adjustment (See Fig. 8)

The pressure plate ( ② ) is used in the silent shredder to finely adjust cutting blade gap and to improve cutting performance as the cutting blade ( ③ ) and pressure plate wears (Fig. 8).

During adjustment, the pressure plate can be moved towards or away from the rotating cutting blade. To improve cutting performance, the pressure plate is moved towards the rotating cutting blade. Also, the pressure plate can be moved away from the cutting blade to help clear blockages.

---



# OPERATION

---

## IMPORTANT!

**ENSURE THE SHREDDER IS 'ON' AND THE BLADE IS ROTATING FORWARDS BEFORE ADJUSTING THE CUTTING BLADE GAP. MAKING ADJUSTMENTS WHEN THE SHREDDER IS 'OFF' MAY RESULT IN DAMAGE TO THE MACHINE.**

- Ensure the shredder inlet is free from material to be shredded.
- Start the shredder by turning the switch clockwise. This is the direction required to shred material.
- The shredder blade should rotate freely; it has a low speed of rotation only once per second.
- Slowly rotate the cutting blade adjustment knob clockwise a 1/2 turn. The pressure plate ( ② ) is advanced towards the blade while the blade is moving (Fig. 8).
- If the cutting blade continues to rotate without a grinding noise, advance another 1/2 turn.
- There will be an audible grinding noise when the pressure plate is being cut by the blade. Your shredder is now correctly set up for a good cut. There should be small aluminium shavings from the pressure plate in the collection box.
- Check cutting performance by feeding a woody branch into the shredder. It should be cut through correctly into pieces approximately 3cm in length.

## Emptying the Collection Box (See Fig. 9)

**NOTE:** The collection box may fill unevenly. Do not allow the shredded material to accumulate near the ejection area.

- Switch off the shredder.
- Rotate the collection box safety switch anticlockwise to the 'UNLOCK' position to release the collection box (Fig. 9).
- Remove the collection box from the chassis and empty it.
- Make sure that the area around the safety switch is free of dust and wood chippings.
- Re-insert the collection box into the chassis and rotate the safety switch to the 'LOCK' position.

## Overload Protection (See Fig. 10)

In the event of the shredder being overloaded, e.g. due to branches that are too thick, the shredder may switch off automatically. Overload protection will be activated in the following circumstances:

- a build-up of shredded material around the cutting blade,
- the material being shredded is greater than the motor capacity,
- when there is too much resistance against the cutting blade.

**To reset the shredder:** Turn the operation mode selection switch to the middle 'OFF' position and press the reset switch (Fig. 10). Remove the blockages if necessary. Switch on the shredder again.

## Using the Blade Reversing Mode (See Fig. 11)

Depending on the severity, different measurements must be taken to free a jam. To free the light jams, use the blade reversing mode.

## OPERATION

---

- Pull the safety lock backwards. Turn the operation mode selection switch anticlockwise to the stop and hold it in position. The reverse function will release any branches that may have caused the blockage (Fig. 11).
- Switch off the shredder. Then remove the blockages carefully from the feed hopper and discard them if too big.
- Switch on the shredder again. Use the pusher to help feed material down the hopper as necessary.

**NOTE:** Bigger jams require opening the cutter housing. Refer to Removing the Blockages section on page 19.

### General Operation

---



## WARNING

Keep your body at a safe enough distance from the shredder as long branches may be spun round while being drawn into the shredder.

---



## WARNING

Always wear eye protection, ear protection and hand protection when operating the shredder.

---

- The shredder will not operate if the collection box is not correctly fitted. Ensure the safety switch on the box is in the 'LOCK' position.
  - When feeding branches into the shredder, keep holding them firmly until they are automatically drawn in.
  - Adapt to the speed of the shredder and avoid overloading it. Overloading will cause it to slow down, possibly overheat and shut down.
  - To avoid the shredder clogging up, mix freshly cut branches or leafy matter with drier materials, such as twigs.
  - To prevent the blades from becoming blunt quickly, remove mud and stones from the roots before shredding.
  - Do not shred but directly compost all soft and wet material such as kitchen waste.
  - Keep a couple of dry branches to run through the shredder at the end of the shredding session. These will help to clean the blade of plant material.
  - Do not turn off the shredder until all the material has passed the blades. Remaining material may otherwise block the blade when you restart the shredder.
-

# MAINTENANCE

---



## WARNING

Always switch the product off, disconnect it from the power supply and let the product cool down before performing inspection, maintenance and cleaning work!

---



## WARNING

Do not use any attachments or accessories not recommended by the manufacturer of this product. The use of attachments or accessories not recommended can result in serious personal injury.

---



## WARNING

Always wear protective, heavy gloves and use protective safety equipment when performing blade maintenance. Ensure the power plug is disconnected from the power supply. Failure to pay attention to this warning could result in serious personal injury.

---

### General Maintenance

- Clean the shredder thoroughly after every use. In this way, you extend the life of the machine and avoid accidents.
- Always keep the shredder, wheels and air vents clean. Use a brush or cloth to clean it. Avoid cleaners and solvents.
- Always check that the shredder and especially the guards are not worn down or damaged but firmly attached before use. Check that the nuts, bolts and screws are tight.
- Do not spray water onto the shredder. Electric shock hazard.
- Check the covers and guards for damage and improper attachment. If necessary, contact the After Sales Helpline.

### Removing the Blockages (See Figs. 12&13)

---



## WARNING

Always switch the product off, disconnect it from the power supply and let the product cool down before opening the cutter housing.

---

- Use the provided Allen key to release the 4 Allen screws ( ④ ) on the housing cover ( ⑤ ) (Fig. 12).
  - Remove the housing cover. This may require light shaking movements.
-

## MAINTENANCE

---

- Remove any blockages.
- Re-install the housing cover ( ⑤ ). Make sure the housing cover is fitted correctly so that the blade shaft ( ⑥ ), the pressure plate rod ( ⑦ ) and the 4 recesses ( ⑧ ) for the Allen screws are all correctly aligned and fit smoothly into the recesses on the housing cover. Ensure that the cutting pressure plate is positioned correctly (Fig. 13).
- Secure the housing cover firmly with the 4 Allen screws.

**NOTE:** The housing cover is safety interlocked, the shredder will not operate if it is not replaced correctly.

### Storage

- Clean the shredder thoroughly before putting it away.
- Store the shredder in a safe, dry place well out of reach of children. Do not cover the shredder in nylon bags, as moisture may develop.
- Always allow the machine to cool before storing.
- The ideal storage temperature is between 10°C and 30°C. Avoid extremes of cold and heat during storage.
- For convenient storage, the shredder unit can be put inside the collection box once disassembled. To do this, turn the shredder upside down and rest it carefully on the hopper. Remove the four screws holding the base to the shredder body unit as illustrated in Fig. 4.
- Place the hopper inside the collection box as shown in Fig. 1.

# TROUBLESHOOTING



## WARNING

Only perform the steps described within these instructions! All further inspection, maintenance and repair work must be performed by a qualified specialist.

Gloves and appropriate protective clothing must be worn when performing these instructions.

Always turn off the machine, disconnect it from the power supply, and let the product cool down before making any adjustment.

PROBLEM	POSSIBLE CAUSE	SOLUTION
The shredder will not start.	The collection box is not fitted correctly.	Push the collection box firmly to its correct position and place the collection box safety switch to the 'LOCK' position.
	The blade housing cover is not re-fitted correctly, interlocked switch not engaged.	Check to make sure the cover is fitted correctly. Refer to Removing the Blockages section on page 19-20.
	Overload protection tripped.	To switch back on, start by turning the operation mode selection switch to the middle 'OFF' position, and then press the reset switch. Switch the shredder on.
	No power supply.	Check the socket, fuse, cable, wire and plug and have any repairs carried out by a qualified person.
Garden waste is not drawn in.	Cylinder is running in reverse.	Change rotational direction using the operation mode selection switch.
	Operation mode selection switch is defective.	Contact the After Sales Helpline.
	Shredding material is too soft.	Use the pusher or add dry twigs/branches.
	Shredder blade remains jammed.	Clear the jams. Refer to Removing the Blockages section on page 19-20.
Material is not shredded properly.	Pressure plate is incorrectly adjusted.	Re-adjust the pressure plate. Refer to Cutting Blade Gap Adjustment section on page 16-17.

## TECHNICAL DATA

### 2800W Electric Silent Shredder

Nominal Voltage	220-240V~ 50Hz
Nominal Power Intake	2800W (P40)
Protection Class	□ / II
Degree of Protection	IP24
Feed Capacity	Max. 42mm
Collection Box Capacity	Approx. 60L
Weight	22kg
Measured Sound Pressure Level ( $L_{PA}$ )	69.9dB(A)
Sound Power Level ( $L_{WA}$ ) Guaranteed	93dB(A)
Sound Power Level ( $L_{WA}$ ) Measured	89.9dB(A) K=2.72dB(A)

The maximum Feed Capacity that can be shredded is dependent on the type of wood and the quality of the material being cut.

For hard wood (e.g. oak/beech branches), the maximum Feed Capacity that can be shredded is less than for soft wood (e.g. pine/spruce wood). For dry or knotted wood, the cutting thickness may also be less. The sound levels have been determined in accordance with noise measuring process EN 50434:2014, Annex FF.

The equipment is intended for use only in premises having an eliminate current capacity equal to or greater than 100A per phase supplied from a distribution network having a nominal voltage of 220-240V. You may need to check with your electricity provider if in any doubt.

Noise and vibration values were determined according to the standards and stipulations mentioned in the declaration of conformity.

Technical or visual modifications may be carried out during our continuous product improvement programmes. All dimensions, references and information of this instruction manual are therefore subject to change without prior notice. Legal claims, which are made on the basis of the instruction manual, cannot thus be considered as valid.

## RECYCLING AND DISPOSAL



This marking indicates that this product should not be disposed with other household wastes. The machine must be delivered in rigid packaging to avoid damage during transportation. The packaging and the machine itself are manufactured from recyclable materials and should be disposed of accordingly.



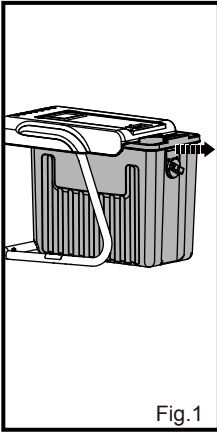


Fig. 1

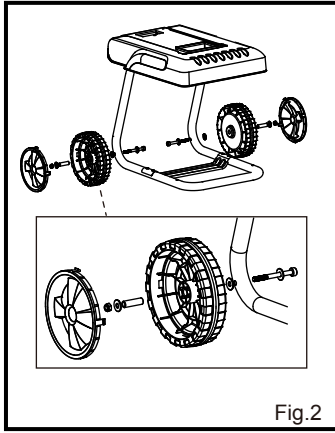


Fig. 2

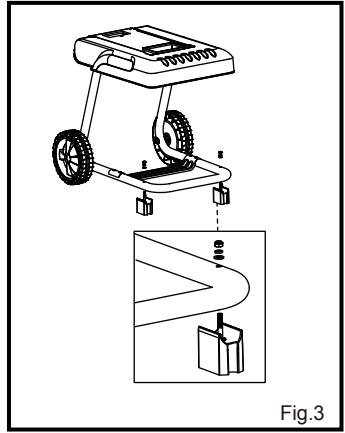


Fig. 3

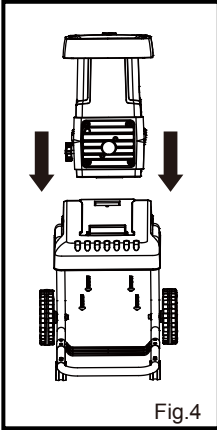


Fig. 4

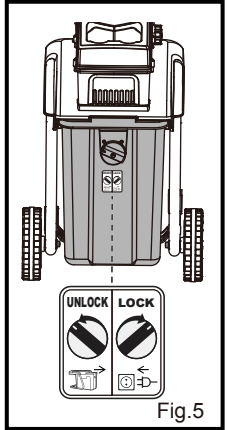


Fig. 5

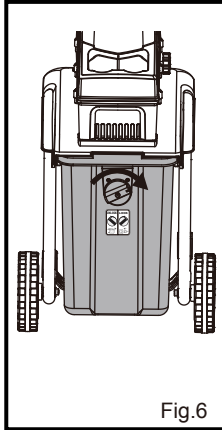


Fig. 6

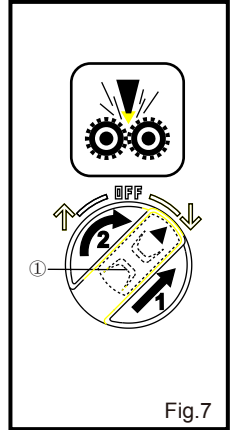


Fig. 7

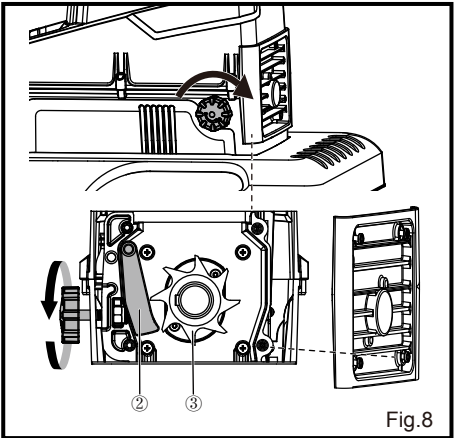


Fig. 8

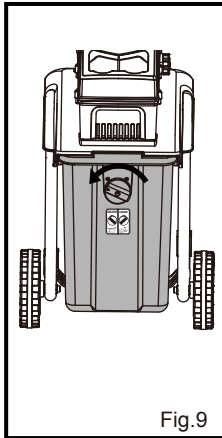


Fig. 9

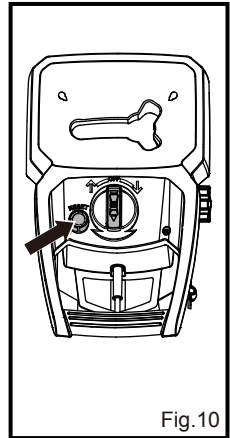
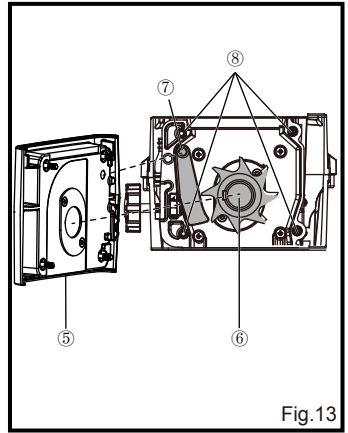
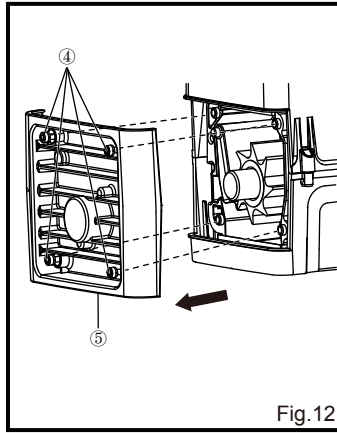
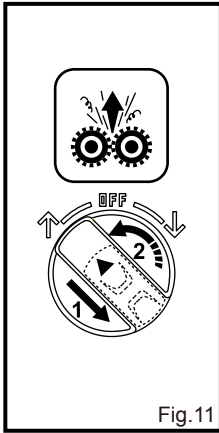


Fig. 10





SDS2810  
Suzhou Cleva Electric Appliance Co. Ltd.  
No.8 Ting Rong Street  
Suzhou Industrial Park, Suzhou  
Jiangsu Province, China  
[www.cleva-europe.com](http://www.cleva-europe.com)  
Made in P.R.C