



**ENGLISH**

**DEUTSCH**

**FRANÇAIS**

**SVENSKA**

# **CORDLESS LAWN MOWER**

**SAVE THESE INSTRUCTIONS.** This manual contains important safety precautions which should be read and understood before operating the product. Failure to do so could result in serious injury. This manual should remain with the product.

Specifications, descriptions and illustrations in this manual are as accurate as known at the time of publication, but are subject to change without notice.

## PRODUCT SPECIFICATIONS

<b>Cordless Lawn Mower</b>	
Type	Cordless Lawn Mower
Self-propelled function	M8242 Model Only
Cutting height	25 to 95mm
Cutting width (diameter of the blade)	490 mm
Idle speed	2,800/min
Max. speed	3,200/min
Dimension (Length x width x height) During operation	Length:1,390 mm to 1,650 mm
	Width:570 mm
	Height:850 mm to 1,130 mm
Dimension (Length x width x height) Without grass catcher	Length:868 mm
	Width:570 mm
	Height:550 mm
Rated voltage	60 VDC
Net weight	24.6 Kg (M8243) 26.7 Kg (M8242)
Degree of protection	IPX4
Cutting height adjustment	6-level

- The manufacturer reserves the right to change the specifications without prior notice.
- Machine specifications and battery packs may vary from country to country
- The weight varies depending on the accessories (including the battery). According to the EPTA procedure 01/2014, the most important and lightest combination is listed in the table.
- Approved Battery: BP8302-2500mAh / 4000mAh/5000mAh

## GENERAL SAFETY RULES

### WARNING

**Read all safety warnings and instructions.**

Failure to follow the warnings and instructions in this manual may result in injury to people, damage to property and/or serious injury/death

Save all warnings and instructions for future reference.

The term “power tool” in the warnings refers to your mains-operated (corded) power tool or battery-operated (cordless) power tool.

### Intended Use

The battery powered lawn mower is recommended only for cutting grass in private or domestic gardens. If it needs to be used for commercial or industrial grass cutting then extra periodic maintenance and servicing will be required to prolong the life of the tool. If this servicing isn't followed or deemed to have caused the issue we have the right to void any warranty offered and reject any warranty claims.

Any other use not expressly permitted in this manual may result in damage to the mower and pose a serious danger to the user. The mower is intended for adult use. Children under 16 years old and persons unfamiliar with this manual is not allowed to use it. Using the mower in rain or damp environments is prohibited. The manufacturer is not liable for damage caused by improper use or incorrect operation

### Residual risks

Even if you operate this power tool correctly, residual risks always remain. The following hazards may occur in connection with the design and construction of this power tool:

- Cutting damage.
- Hearing damage if no suitable hearing protection is worn.
- Health damage resulting from hand-arm vibrations if the device is used for an extended period of time or if it is not properly managed and maintained.

### Noise emissions

Typical A-weighted noise level (measured according to EN 60335-2-77):

Type designation: M8242/M8243

Sound pressure level (LpA): 79 dB (A)

Sound power Level (LWA): 91 dB (A)

Measurement uncertainty (K): 3.4 dB (A)

The noise level during operation can be 80 dB (A).

*Note: The declared noise emission value is determined according to standard test methods and can be used to compare the tools.*

*Note: The declared noise emission value can also be used for preliminary evaluation of tool performance.*

### WARNING

**Always wear ear protection**

### WARNING

The noise emission value may be different during the actual use of the power tool from the declared value, depending on how to use the tool, especially the type of workpiece processed

### WARNING

Be sure to take safety precautions to protect the operator according to the predicted actual operation conditions. All aspects of the operating cycle must be taken into account (such as switch-off time, idle time and start-up time).

### Vibration

Vibration emission value (Three-axis vector sum) (measured according to EN 60335-2-77):

Type designation: M8242/M8243

Vibration (ah): 5 m/s<sup>2</sup>

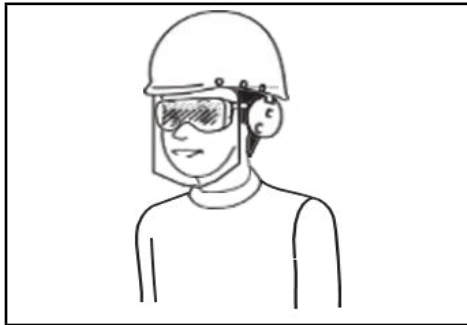
Measurement uncertainty (K): 1.5 m/s<sup>2</sup>

### Safety instructions for lawn mower

Keep all safety warnings and instructions for future reference.

1. Insert the safety key into the lawn mower when you are ready to use it.
2. Take care of children. Do not let children under 16 years old use or play with the lawn mower.

3. Never allow children or people unfamiliar with these instructions to use the machine. Local regulations can restrict the age of the operator.
4. Never operate the machine while people, especially children, or pets are nearby.
5. Keep in mind that the operator or user is responsible for accidents or hazards occurring to other people or their property.
6. While operating the machine always wear substantial footwear and long trousers. Do not operate the machine when barefoot or wearing open sandals. Avoid wearing clothing that is loose fitting or that has hanging cords or ties. They can get caught in moving parts.
7. Always wear safety goggles when using the tool to avoid eye injury. Goggles must comply with US ANSI Z87.1, European EN 166 or Australian / New Zealand AS / NZS 1336. In Australia / New Zealand, the law requires a mask to protect the face.



Employers must supervise the operator of this tool and insist workers wear the appropriate safety equipment (PPE)

1. Operate the machine only in daylight or quality artificial lighting.
2. Avoid operating the machine in wet conditions including rain or snow.

#### EC declaration of conformity

It is only for EU countries. End of this manual contains the EC declaration of conformity.

#### Safety instructions for lawn mower

1. The use and maintenance of battery-powered power tool
  - 1a. Only use the specified charger of the manufacturer for charging. Using a different charger may cause a fire.
  - 1b. Power tools can only use specially specified battery. Other types of batteries can cause personal injury or fire.
  - 1c. When not using the battery, keep it away from paper clips, coins, keys, nails, screws, or other small metal objects. These objects can short the battery terminals. A short circuit in the battery can cause burns or fire.
  - 1d. Overuse may cause liquid to leak from the battery. Avoid contact with the liquid. If you accidentally come into contact with the liquid from the battery, rinse it with water. If the fluid touches the eye, seek medical attention. Battery leakage may lead to allergic inflammation or burns.
  - 1e. Do not dispose of the battery in fire. Otherwise, the battery may explode. For specific handling instructions, refer to local regulations.
  - 1f. Do not open or disassemble the battery. The spilled electrolyte is corrosive and may cause damage to the eye or skin. Swallowing is at risk of poisoning.
  - 1g. Do not charge the device in the rain or in a wet areas or places.
2. Hold the handle firmly.
3. Be sure to stand tilted.
4. Walk, never run.
5. When moving or holding the mower, do not touch the exposed blade or cutting edges.
6. Physical condition - Do not operate the lawn mower when you are tired or under the influence of drugs, alcohol or medication.
7. Any body parts like hands and feet should stay away from rotating blades. Note-the blade still rotates after switching off the lawn mower momentarily.
8. Use only the original blades specified in this manual.

9. Before using, always visually inspect to see that the blade, blade bolt and the blade assembly are not worn or damaged. Replace worn or damaged components in sets to preserve balance. Replace damaged or unreadable labels.
10. Make sure there are no other people in the work area before operating the lawn mower. When someone enters the work area, stop the lawnmower, and disconnect battery or remove safety key.
11. Before operating the lawn mower, remove foreign bodies such as stones, wire, bottles, bones and large branches in the cutting area to prevent injury or damage to the lawn mower.
12. If you find any abnormalities, stop using the lawn mower immediately. Switch off it and remove the safety key. Then check the lawn mower.
13. If the lawn machine has the function of cutting height adjustment, do not adjust the cutting height while the lawn machine is in operation.
14. Before crossing the driveway, sidewalk, road, or any gravel-covered road, release the switch lever and wait for the blade to stop spinning. Be sure to unplug the safety key when placing a lawn mower, picking up foreign bodies on the pruning path, or in any case that may distract your attention.
15. It may cause serious personal injury if the cutting blade impacts a solid or foreign object, carefully inspect the working area and remove any debris before each use.
16. When the lawn mower impacts a foreign object, perform the following steps:
  - 16a. Stop the engine, release the switch and wait until the blade stops completely.
  - 16b. Remove the safety key and disconnect the battery
  - 16c. Check the lawn mower thoroughly for damage.
  - 16d. If the blade is damaged, replace it. Repair any damage before restarting and continuing to operate it.
17. Regularly check the grass catcher for wear or loss of functionality. Empty the grass catcher during storage. For safety reasons, replace the worn grass bag with a new original grass bag.
18. Use extreme caution when reversing or pulling the machine towards you.
19. Stop the blade(s) if the machine has to be tilted for transportation when crossing surfaces other than grass, and when transporting the machine to and from the area to be used.
20. Never operate the machine with defective guards or shields, or without safety devices, for example deflectors and/or grass collector, in place.
21. Switch on the lawn mower carefully according to the instruction manual. Keep your feet away from the cutting blade.
22. Do not tilt the machine when switching on the motor, except if the machine has to be tilted for starting. In this case, do not tilt it more than absolutely necessary and lift only the part, which is away from the operator.
23. Do not start the machine when standing in front of the discharge opening.
24. Do not put hands or feet near or under rotating parts. Keep clear of the discharge opening at all times.
25. Do not transport the machine while the power source is running.
26. Stop the machine, and remove the disabling device. Make sure that all moving parts have come to a complete stop:
  - 26a. whenever you leave the machine;
  - 26b. before clearing blockages or unclogging chute;
  - 26c. before checking, cleaning or working on the machine;
  - 26d. after striking a foreign object. Inspect the machine for damage and make repairs before restarting and operating the machine.
27. If the machine starts to vibrate abnormally (check immediately).
  - 27a. inspect for damage;
  - 27b. replace or repair any damaged parts;
  - 27c. check for and tighten any loose parts.
28. Be careful during adjustment of the machine to prevent entrapment of the fingers between moving blades and fixed parts of the machine.

29. Always be sure of your footing on slopes. Mow across the face of slopes, never up and down. Exercise extreme caution when changing direction on slopes. Do not mow excessively steep slopes.
30. Always check the fixing screws to make sure they are tightened properly.
31. Keep all nuts, bolts and screws tight to be sure the machine is in safe working condition.
32. Always allow the machine to cool down before storing.
33. When servicing or replacing the blades be aware that, even though the power source is switched off, the blades can still rotate.
34. Replace worn or damaged parts for safety. Use only genuine replacement parts and accessories.
35. Do not use the lawn mower during thunderstorms.
36. If you use the lawn mower on muddy ground, wet slopes or slippery places, stand steady.
37. Avoid working in harsh environments that may increase user's fatigue.
38. Do not use the lawn mower in bad weather with limited visibility. Otherwise, it may lead to falls or incorrect operation due to poor visibility.
39. NEVER try to replace the battery in the rain.
40. Do not immerse the lawn mower in a puddle or surface water.
41. Do not leave the tool unattended outdoors on rainy days.
42. Do not insert or unplug the safety key in the rain.
43. If wet leaves or dirt adhere to suction nozzles (air inlet) due to rain, then remove them.
44. Do not wash the lawn mower with high pressure cleaner or hoses.
45. When cleaning the lawn mower, be sure to remove the battery and the safety key and close the battery cover. Then flush the bottom of the lawnmower where the blade is mounted.
46. When storing the lawn mower, avoid direct sunlight and rain and store it in a place that does not become hot or humid.
47. Carry out inspection or maintenance in a place where it will not rain.
48. After using the lawn mower, remove any adhering dirt and thoroughly dry the lawn mower before

storing it. Depending on the season or region, there is the possibility of a malfunction due to freezing.

49. Do not allow the battery terminals to come into contact with liquids or immerse the battery in water. Do not expose the battery to rain, and do not charge, use, or store the battery in a humid place. If the battery terminals are wet or liquid enters the battery, the battery may be short-circuited which can cause overheating, fire or explosion.
50. Be sure to assemble the battery cover to the battery box after removing the battery pack from the lawn mower or the charger and store it in a dry place.
51. Do not replace the battery with wet hands always wear gloves.
52. Do not use the device in the rain or snow.
53. If the cut grass gets wet, it can clog the inside of the lawn mower. Check the condition of the lawn mower regularly and if necessary, remove the adhering grass.

#### Keep this manual in a safe place for future reference

### WARNING

**Always follow all safety instructions, even if you are sufficiently familiar with the device (experience through repeated use).**

Improper use or failure to observe the safety instructions in the manual may result in serious personal injury.

#### Safety instructions for battery pack

1. Read all instructions and the safety symbols on the charger (1), the battery (2) and the battery powered device (3) carefully before using the battery.
2. Do not disassemble the battery pack.
3. If the running time of the lawn mower becomes too short, stop the operation immediately. Otherwise, it may lead to overheating, fire or even explosion.
4. If the electrolyte from the battery pack enters your eyes, rinse it with clean water and seek medical attention immediately. Otherwise, it may lead to visual impairment.

5. Do not short the battery pack:
  - 5a. Do not allow the battery terminals to come into contact with conductive material.
  - 5b. Do not place the battery pack in the same container with other metal objects such as nails, coins, etc.
  - 5c. Do not put the battery pack in water and do not expose the battery to rain.
  - 5d. A short circuit in the battery pack creates a high current that can cause overheating and may lead to fire or even breakdown.
6. Do not place the tool and battery pack where the temperature can reach or exceed 50 °C (122 °F).
7. Do not burn the battery pack, even if it is seriously damaged or completely worn out. The battery pack will explode in the fire.
8. Do not hit or drop the battery pack.
9. Do not use a damaged battery.
10. Lithium-ion batteries supplied with this tool shall comply with the requirements of dangerous goods. When carrying out commercial transportation, such as third party or trans-shipment agent, special requirements for packaging and labeling must be observed. To prepare for transportation projects, consult professionals for dangerous product. Pay attention to the possibly more detailed national laws and regulations. Use the tape to protect the contact information on the surface and encapsulate the battery firmly so that the battery pack is not movable in the package.
11. Follow local regulations for the disposal of used batteries.
12. Use only the battery for the specified product of WARRIOR ECO. Inserting the battery into an incompatible product may result in fire, overheating, explosion or leakage of electrolyte.

### WARNING

**Use only original OEM batteries.**

Using a non-WARRIOR ECO original battery or modified battery may result in fire, personal injury, or property damage to the product. At the same time the warranty of tool and charger will be voided.

# SYMBOLS

Some of the following symbols may be used on this product. Please study them and learn their meaning. Proper interpretation of these symbols will allow you to operate the product better and safer.

SYMBOL	MEANING
	<b>Warning</b>
	<b>Read The Operator's Manual.</b> Read and follow all safety precautions in the owner's manual. Failure to follow to instruction could result in serious injury to user
	<b>Protective goggles/visor, protective helmet &amp; hearing protection.</b>
	<b>Wet Conditions Alert.</b> Do not expose to rain or use in damp locations
	<b>Ricochet.</b> Thrown objects can ricochet and result in personal injury or property damage
	<b>Gloves.</b> Wear non-slip, heavy duty gloves.
	<b>Class II Construction.</b> Double-insulated construction
	<b>Sharp Blade.</b> Keep hands away from sharp, moving blades.
	<b>Keep Bystanders Away</b>

The following signal words and meanings are intended to explain the levels of risk associated with this product.

## DANGER

DANGER indicates a hazardous situation which, if not avoided, will result in death or serious injury.

## WARNING

WARNING indicates a hazardous situation which, if not avoided, could result in death or serious injury.

## CAUTION

CAUTION indicates a hazardous situation which, if not avoided, could result in minor or moderate injury.

## CAUTION

(Without Safety Alert Symbol) Indicates a situation that may result in property damage.

# ASSEMBLY

## WARNING

Before performing any assembly work on the lawn mower, be sure to remove the safety key and the battery pack. If the safety key and the battery pack are not removed, it may cause an unexpected start, resulting in serious personal injury and (or amputation).

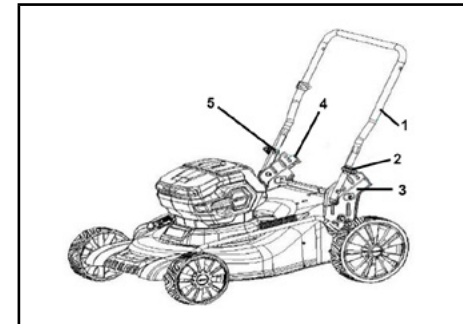
## WARNING

The lawn mower can only be started after a complete assembly. Partial assembly may cause serious personal injury due to accidental activation.

### To assemble the handle

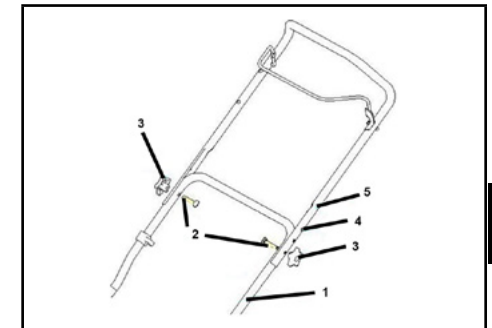
*Note: When you assemble the handle, do not clamp the wires between the parts of the handles. If the wire is broken, the lawn mower switch may not work.*

1. Expand the lower handle, rotate the lower handle and align the knob column with one of the holes on the left and right side plates. Rotate the knob cover after alignment to extend the knob column to get stuck in the hole of the left and right connection plates.



1. Lower handle 2. Knob cover 3. Left connection plate 4. Right connection plate 5. Knob column

2. Align the holes in the lower and upper handle, insert the bolt from the inside and tighten the plum-shaped nut from the outside.

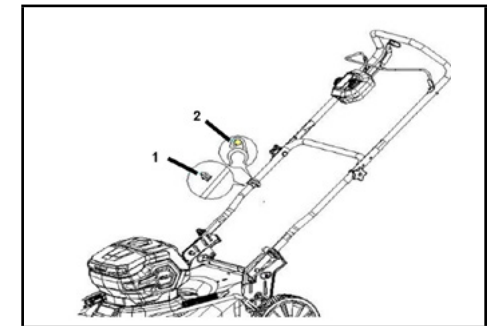


1. Lower handle 2. Saddle bolt 3. Plum-shaped nut 4. Hole 5. Upper handle

## CAUTION

Grasp the upper handle to prevent the lawn mower from slipping out of your hand. Otherwise the handle may fall and cause personal injury.

3. Assemble the cable clamp to the lower handle. Place the wires as shown in the figure

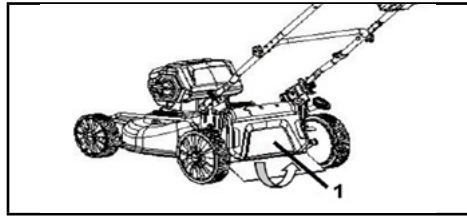


1. Syphon below 2. Cable clamp

*Note: When assembling the cable clamp, be sure to fix the wire with the bracket as shown in the figure.*

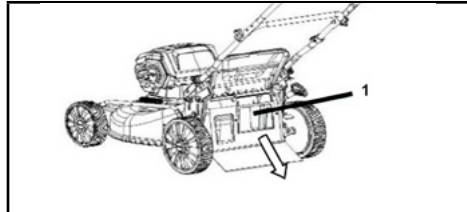
### To remove the mulching wedge

1. Open the rear cover.



1. Rear cover

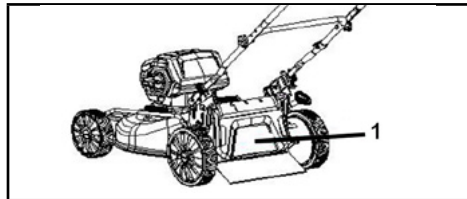
2. Hold the handle of the mulching wedge and pull it out with a little force.



1. Mulching wedge

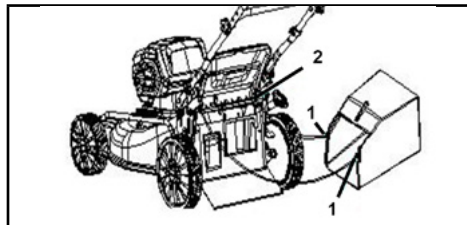
**To assemble the grass catcher**

1. Open the rear cover.



1. Rear cover

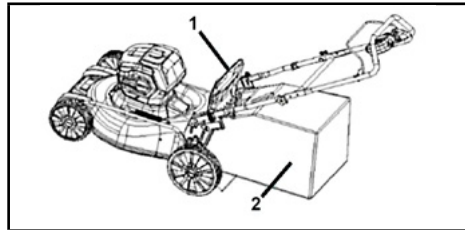
2. Hang the grass catcher hook on the rear cover shaft of the lawn mower as shown in the figure.



1. Grass catcher hook 2. Rear cover shaft

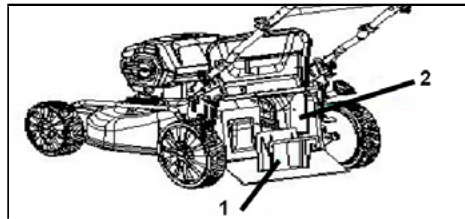
**To assemble the mulching wedge**

1. Open the rear cover and remove the grass catcher.



1. Rear cover 2. Grass catcher

2. Hold the mulching wedge and push it in the direction shown, push it until it stops and you hear a click

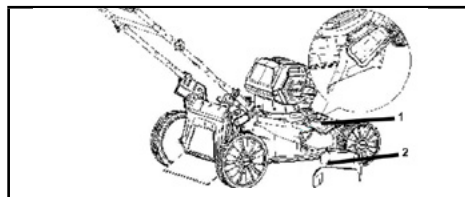


1. Mulching wedge 2. Mulching wedge assembly port

*Note: Make sure the rear cover above the grass catcher faces down and squeezes the grass bag holder; otherwise, the grass catcher may not collect the cutting grass.*

**To assemble the side ejection**

1. Open the side cover and insert the side ejection according to the direction in the diagram so that the notch of the side ejection just snaps into the side cover.



1. Side cover 2. Side ejection

**To install & replace battery pack**

**CAUTION**

**Always switch off the mower before you insert or remove the battery pack.**

Hold the tool and battery pack securely when you insert or remove the battery pack. Otherwise they may slide out of your hands. It may cause damage to tools and battery packs and even personal injury.

Be sure to lock the battery cover before use to prevent dirt, dust or water from entering the battery. They may damage the product or battery.

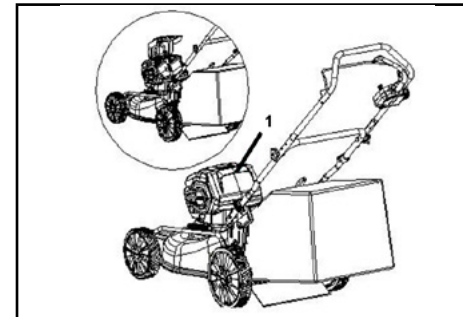
Be sure to insert the battery pack completely until you can't see the red indicator. Otherwise it may accidentally fall out of the tool, causing personal injury to yourself or others.

Do not force the battery pack to be insert. If the battery pack is difficult to insert, it may be improperly inserted.

*Note: when only a single battery pack is inserted, the tool can also work properly.*

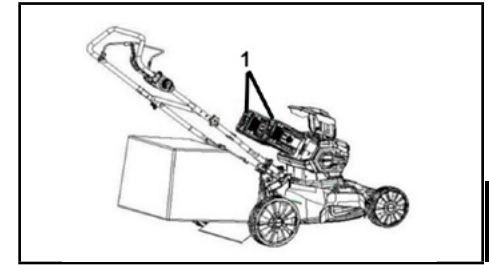
**To insert the battery pack:**

1. Lift the battery cover and open the battery box



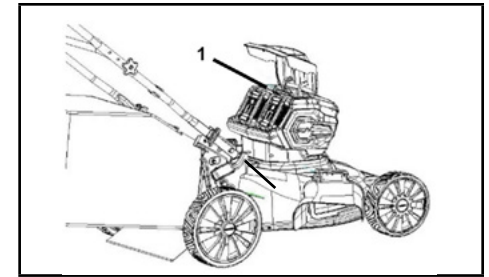
1. battery cover

2. Align the slot of the battery pack with the ribs in the battery box and slide the battery pack until the battery pack is locked and you hear a click.



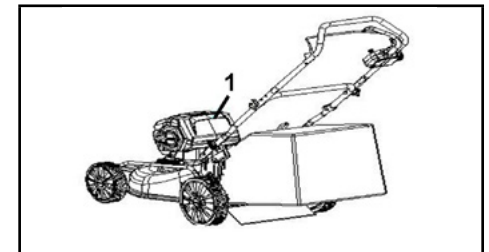
1. Battery Pack

3. Insert the safety key to the end in the position shown.



1. Safety key

4. Close battery cover.



1. battery cover

**To remove the battery pack from the lawn mower:**

1. Open the battery cover,
2. Press the button in the middle of the battery pack and at once pull the battery pack out of the tool,
3. Remove the safety key,
4. Close the battery cover

**Tool/battery protection system**

This lawn mower is equipped with a tool/battery protection system. The system can automatically cut off motor power supply to prolong the life of tools and batteries. When the tool is working, the tool will automatically stop running if the tool or battery is in the following situations.

**Overload protection**

When the battery is operated in such a way as to cause an abnormally high current, the lawn mower will automatically stop running and the battery pack indicator will flash green. In this case, switch off the lawn mower and stop the operation that caused the overload. Then switch on the lawn mower to restart.

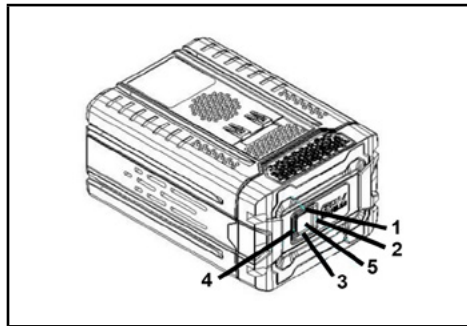
**Overheating protection**

When the lawn mower or battery overheats, the tool will automatically stop running and the battery pack indicator will light red. In this case, wait until they become cool before switching on the lawn mower.

**Discharge protection**

When the battery power is low, the lawn mower will automatically stop running and the main power indicator will flash red. In this case, remove the battery from the lawn mower and charge it, or replace the fully charged battery pack.

**To show remaining battery capacity**



1. LEDs 2. (View) button

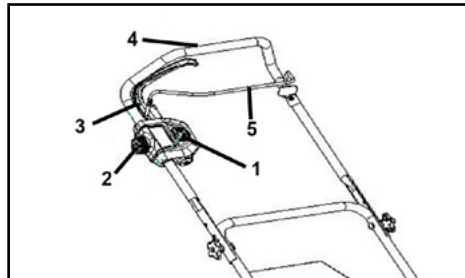
Press the (View) button on the battery pack to show the remaining battery capacity. The indicator will light for a few seconds.

indicator	Battery status
LED1, LED2, LED3, LED4 are lit	75% to 100%
LED1, LED2, LED3 are lit. LED4 is not lit	50% to 75%
LED1, LED2 are lit. LED3, LED4 are not lit	25% to 50%
LED1 is lit. LED2, LED3, LED4 are not lit	0% to 25%
LED1, LED2, LED3, LED4 flash in the same time	Low battery and needs to be recharged

*Note: The battery power displayed by the indicator light may be slightly different from the actual situation under different conditions of operation and ambient temperature.*

**Control panel**

The main power switch, self-propelled trigger and self-propelled speed adjustment switch are on the control panel.



1. Lock off button 2. Speed control knob  
3. Self-propelled trigger 4. Upper handle  
5. Motor brake handle

**Switch**

**! WARNING**

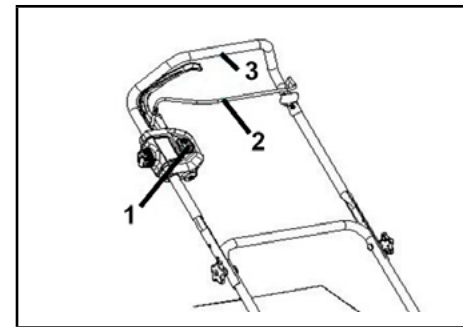
Before inserting the battery pack, be sure to check if the motor brake handle can be pulled freely and return to its original position when released. If the switch does not work properly, it may cause the tool to lose control or serious personal injury.

*Note: When the lock off button is not pressed, the mower will not start even if the motor brake handle has been pulled.*

*Note: Trying to cut long or too dense grass at one time may cause the mower to fail to start due to the overload. In this case, increase the cutting height.*

The mower is equipped with an interlock switch and a handle switch. If you notice any abnormalities in these switches, stop the operation immediately and take the tool to the nearest WARRIOR ECO authorized service center for inspection.

1. Insert the battery pack and the safety key and close the battery cover.
2. Press the lock off button and release it.
3. Grasp the upper handle and pull the motor brake handle.



4. After the motor starts running, the lawn mower will continue to run until you release the motor brake handle
5. Release the switch and the motor will stop

*Note: If the safety key is not inserted, the motor will not start when the switch is pressed*

**Self-propelled trigger**

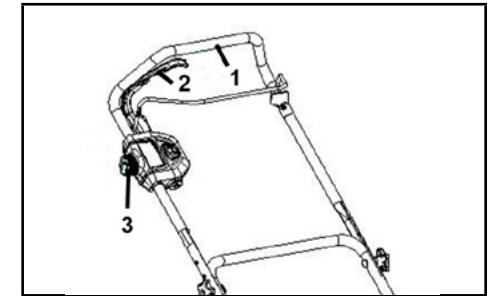
**! WARNING**

Before inserting the battery pack, be sure to check if the self-propelled trigger can be pressed freely and return to its original position when released. If the switch on the tool does not work properly, it may cause the tool to lose control or serious personal injury.

Insert the battery pack and the safety key and close the battery cover

6. Press the self-propelled trigger and the lawn mower can go forward.
7. Turn the speed control knob to adjust the speed of the lawn mower. The knob rotates clockwise, the speed increases, the knob rotates counterclockwise, and the speed slows down.

*Note: The speed of self-propelled can be adjusted between 0 to 1.2 m/s.*



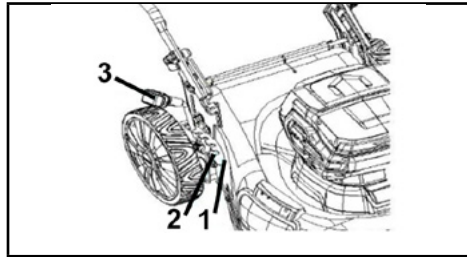
1. Upper handle 2. Self-propelled trigger 3. Speed control knob

**To adjust the cutting height**

**! WARNING**

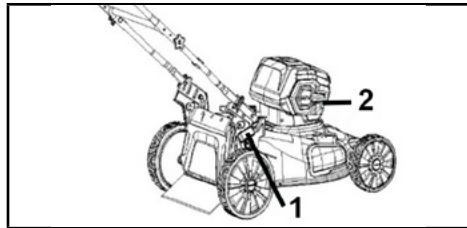
**When adjusting the cutting height, never place your hands and legs under the lawn mower.**  
**Make sure the cutting height handle is correctly placed in the groove before operation.**

You can adjust the cutting height from 25mm to 95mm. Remove the safety key and pull the cutting height handle toward the outside of the lawn mower and move it to the desired cutting height.



1. Tooth plate 2. Tooth plate groove 3. cutting height handle

One hand holds the motor housing of the mower, and the other hand moves the cutting height handle.



1. Cutting height handle 2. Motor housing

**Note:** The cutting height can only be used as a reference. The condition of the lawn and the ground will make the height of the lawn slightly different from the set height.

**Note:** Perform a test cutting in an inconspicuous position to get the desired cutting height.

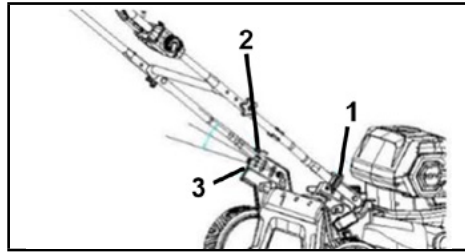
## To adjust the height of handle

### ⚠ CAUTION

Always hold the upper handle before removing the bolt. Otherwise the handle may fall and cause personal injury

The height of the lower handle can be adjusted in three positions.

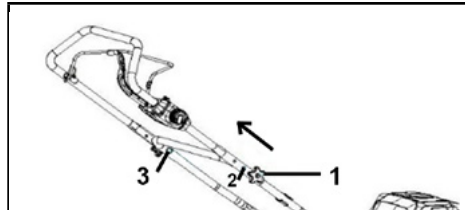
1. Rotate the knob cover on both sides to remove the knob column from the hole.



1. Knob cover 2. Knob column 3. Hole

2. Adjust the height of the handle.
3. After fixing the height, rotate the knob cover again to fix the knob column in the corresponding hole

The height of the upper handle can be adjusted in three positions.



1. Plum-shaped nut 2. Hole 3. Saddle bolt

Remove the plum-shaped nut and move the upper handle to the required height and fix the nut.

## To use the mulching wedge

The mulching wedge will return the cutting grass clippings to the ground without collecting them to the grass catcher. Always remove the grass catcher when using the mulching wedge.

### Electronic functions

1. Constant speed control. Electronic speed control keeps the speed constant. Even at the load, the rotation speed can be kept constant so that a good mowing effect can be achieved.
2. Soft start. The Soft start function minimizes vibration during start-up and allows the mower to start smoothly

## OPERATION

### To cut the grass

#### ⚠ WARNING

Before starting mowing, remove the branches and stones from the working area. In addition, any weeds in the working area must be removed in advance.

Always wear goggles or safety glasses with side covers before operating the lawn mower.

#### ⚠ CAUTION

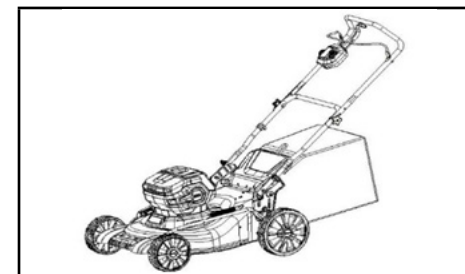
If the grass clippings or foreign objects clog the inside of the lawn mower, be sure to remove the safety key and battery pack and wear gloves before removing grass clippings and foreign objects.

*Note:* This lawn mower is only used for mowing the lawn. Do not use it to cut the weeds.

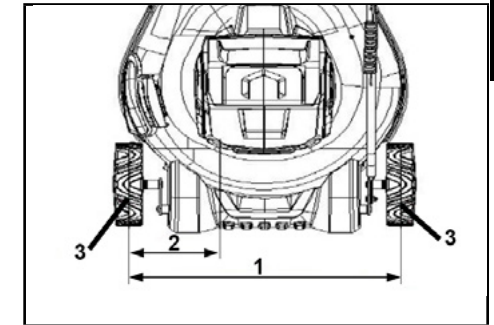


When mowing the lawn, be sure to hold the upper pusher firmly with both hands.

The mowing speed is recommended to be approximately 1 meter every 4 seconds.

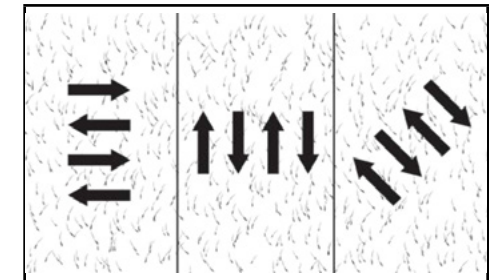


The center lines of the front wheels are used as reference line for the cutting width. Long strip cutting is carried out with reference to these two center lines. When cutting the next strip, you can continue from 1/2 to 1/3 of the last cutting width in order to mow the lawn evenly.



1. Cutting width 2. Overlapping area 3. Center lines

Change the direction once for each cutting to prevent the lawn pattern from being fixed in one direction.



Check the grass catcher regularly. Empty before it is full.

Always stop the lawn mower and remove the safety key and battery pack before each regular inspection.

*Note:* Using the mower with the full grass catcher will prevent the blade from rotating and bring additional load to the motor, which can cause the lawn mower to damage.

## To mow longer grass

Do not try to cut longer grass at once. Instead, mow the lawn in stages. It can be mowed one or two days until the height of the lawn is same.





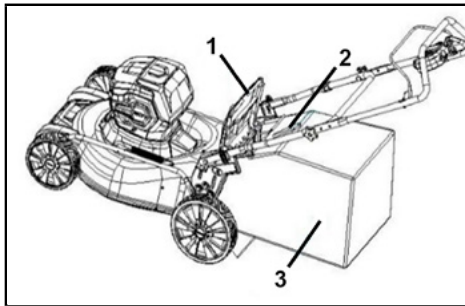
Note: Cutting longer grasses at one time may result in grass withering. The grass clippings may also block the inside of the lawn mower.

## To empty grass catcher

### WARNING

In order to reduce the risk of accidents, please check the grass catcher regularly for damage or strength. Replace it if necessary.

1. Release the switch.
2. Remove the safety key.
3. Open the rear cover and hold the handle to remove the grass catcher.
4. Empty the grass catcher.



1. Rear cover 2. Handle 3. Grass catcher

## MAINTENANCE

### WARNING

Always remove the safety key and the battery pack before storing, transporting, checking or maintenance.

When the lawn mower is not in use, remove the safety key. Keep the safety key in a safe place and keep it away from children.

Wear gloves during inspections and maintenance.

Always wear goggles or safety glasses with side covers during inspections or maintenance.

*Note: Do not use gasoline, benzene, thinner, alcohol or similar to clean the lawn mower. Otherwise it may result in discoloration, deformation, or cracking of the tool.*

In order to ensure the safety and reliability of the product, repairs, any other maintenance or adjustments must be completed by a WARRIOR ECO authorized or factory service center. Always use replacement parts of Warrior ECO.

1. Remove the safety key and battery pack and close the battery cover.
2. Turn the lawn mower to the side, remove the grass clippings collected inside the baffle of the lawn mower.
3. Flush towards the bottom of the lawn mower with a blade.

### CAUTION

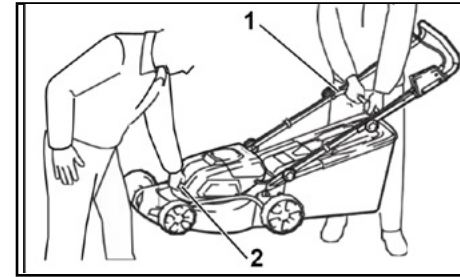
Do not wash it with high pressure cleaner.

Check and ensure that all nuts, bolts, knobs, screws and fasteners are fixed well.

4. Check the moving parts for damage, rupture and wear. Damaged or lost parts should be repaired or replaced.
5. Keep the lawn mower in a safe place that is not accessible to children.

## Transport

When carrying the lawn mower, hold the front handle and lower handle by two people as shown in the figure.

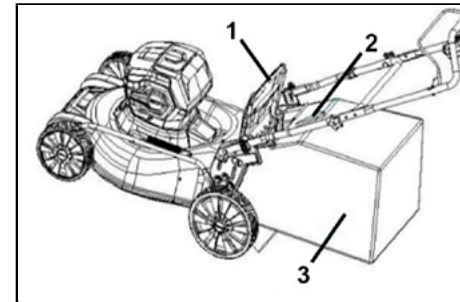


1. Lower handle 2. Front handle

## Storage

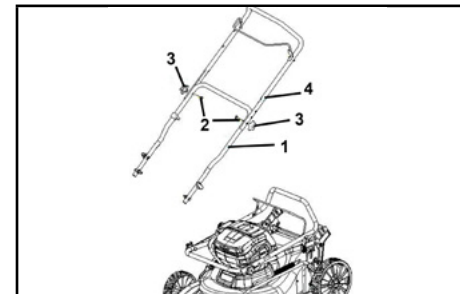
Store the lawn mower in a cool, dry and locked place. Do not store the lawn mower and charger in places where the temperature may reach or exceed 40 °C (104 °F)

1. Open the rear cover and hold the handle to remove the grass catcher.



1. Rear cover 2. Handle 3. Grass catcher

2. Loosen the nut and fold the upper handle.



1 Lower handle 2. Saddle bolt 3. Plum blossom nut 4. upper handle

## To disassemble or assemble the cutting blade

### WARNING

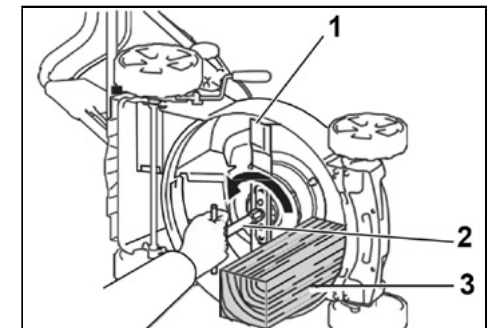
When assembling or disassembling a blade, be sure to remove the safety key and the battery pack first. If the safety key and the battery are not removed, it can result in serious personal injury.

The blade will still rotate for a few seconds after the switch is released. Never do anything before it stops completely.

Always wear gloves when handling the blade.

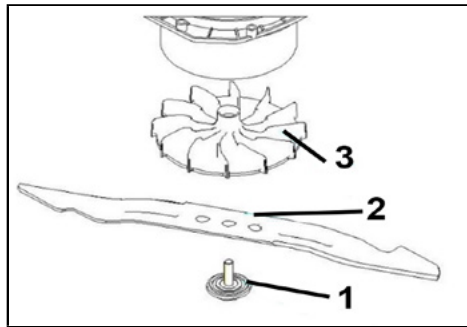
## To disassemble the cutting blade of the lawn mower

1. Turn the lawn mower to the side so that the cutting height adjustment handle is on the upper side.
2. Insert a block of wood or similar into the lawn mower in order to lock the blade.
3. Turn the screw counterclockwise with a wrench



1. Cutting blade 2. Wrench 3. Block of wood

4. Remove the blade screw, 19-inch blade and wind blade in turn.



1. Blade screw 2. 19inch blade 3. Wind blade

**To assemble the cutting blade of the lawn mower**

To assemble the cutting blade, follow the reverse steps as when disassembling

**WARNING**

Be careful when assembling the blade. Make sure it has the correct upper/lower orientation. When assembling the blade, make the arrow in the direction of rotation face outward.

Tighten the bolts clockwise to secure the blade.

Make sure that the blade and all fasteners are properly assembled and securely

Always follow the instructions in this manual when replacing the blade

**Cleaning the lawn mower**

1. Wipe the outside of the lawn mower with a dry, soft cloth. Do not hose down or wash with water.
2. Scrape the guard to remove dried clippings and mud.
3. Brush or blow dust, debris, and grass clippings out of the air vents. Keep them free of obstruction

**BATTERY CHARGER**

**SPECIFICATIONS**

Charger: C8360/C8362

Input: 120-240VAC, 50/60Hz, Max.3A

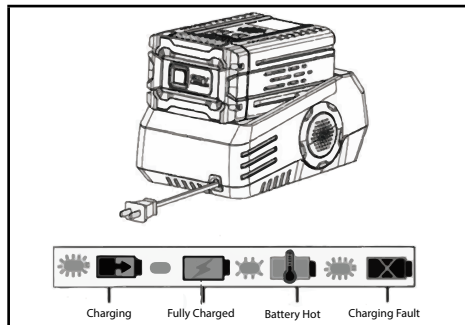
Output: 63VDC. Max.4.5A

Weight: 2.6 lbs (1.2kg)

**WARNING**

The battery is not shipped/transported fully charged. Fully charge the battery before first use to ensure that maximum run time can be achieved. This lithium-ion battery will not develop a memory and may be charged at any time.

**CHARGING PROCEDURE**



LED STATUS	DESCRIPTION
Blinking Green	Charging
Solid Green	Fully charged
Solid Red	Stand by
Blinking Red (fast)	Charging fault
Blinking Red (slow)	Battery too hot

**Low voltage charging:**

If the battery has been stored with little to no charge for a long period of time, the charger will go into recovery mode, which will take more time to fully charge the battery. This will enhance the life of the battery. Once it is fully charged, the next charge will return to standard charging.

A fully discharged battery pack will require the allotted time as stated in the battery manual. Plug the charger into an AC power outlet.

Insert the battery -into the charger.

This is a diagnostic charger. The Charger LED Lights will illuminate in specific order to communicate the current battery status. They are as follows:

**False defect note:**

When the battery is inserted into the charger and the status LED blinks RED, remove the battery from the charger for 1 minute, then reinsert. If the status LED blinks GREEN, then the battery is properly charging. If the status LED is still blinking RED, remove the battery and unplug the charger for 1 minute. After 1 minute, plug in the charger and reinsert the battery. If the status LED blinks GREEN, then the battery is properly charging. If the status LED is still blinking RED, the battery is defective and needs to be replaced

**CHECKING THE CHARGE**

If the battery pack does not charge properly:

Check the current at the power outlet with another tool. Make sure that the outlet is not turned off.

Check that the charger contacts have not been shorted by debris or foreign material.

If the air temperature is above 104°F or below 45°F, move the charger and battery pack to a room temperature location and allow to warm up slowly.

**WARNING**

If the battery is inserted into the charger when warm or hot, the **CHARGING LED** indicator light on the charger may switch on and illuminate **RED**. If this occurs allow the battery to cool inside of the charger for up to 30 minutes. Charging should automatically start once battery has cooled

**CHARGER MOUNTING**

1. This charger can be installed hanging on a wall using two #8 screws (not included).
2. Locate the placement for the charger to be wall mounted.
3. If fastening to wood studs use 2 wood screws (not included).

4. Drill two holes on center 5.5 in. apart ensuring that they are vertically aligned.
5. If fastening to drywall use wall anchors (not included) and screws to secure the charger to the wall.

Note: If the battery and the charger won't be used for a long time, remove the battery from the charger and pull out the AC power plug

**WARNING**

If the battery is inserted into the charger when warm or hot, the **CHARGING LED** indicator light on the charger may switch on and illuminate **RED**. If this occurs allow the battery to cool inside of the charger for up to 30 minutes. Charging should automatically start once battery has cooled

**Battery Pack**

1. Store the battery pack fully charged
2. Once the light on the charger turns solid green, remove the battery from the charger and disconnect the charger from the outlet.
3. Do not store the battery pack on the tool.
4. After charging, the battery pack may be stored in the charger, as long as the charger is not plugged in.

**Charger Maintenance**

Keep the charger clean and clear of debris. Do not allow foreign material to get into the recessed cavity or onto the contacts. Wipe the charger clean with a dry, soft cloth. Do not use solvents or water, and do not place the charger in wet conditions.

Unplug the charger when there is no battery pack in it.

Fully charge the batteries before placing them in storage.

Store the charger at normal room temperature. Do not store it in excessive heat. Do not use the charger in direct sunlight. Recharge at room temperature between 45° F and 104° F (7°C and 40° C). If the battery pack is hot, allow it to cool down inside of the charger. The battery will begin charging once it has returned to room temperature.

## ENVIRONMENTALLY SAFE BATTERY DISPOSAL

### WARNING

The following toxic and corrosive materials are in the batteries used in this blower.

Battery pack: Lithium-Ion, a toxic material.

### WARNING

All toxic materials must be disposed of in a specified manner to prevent contamination of the environment. Before disposing of damaged or worn out Lithium-Ion battery packs, contact your local waste disposal agency, or the local Environmental Protection Agency for information and specific instructions. Take the batteries to a local recycling and/or disposal center, certified for lithium-ion disposal

### WARNING

If the battery pack cracks or breaks, with or without leaks, do not recharge it and do not use. Dispose of it and replace with a new battery pack.

#### DO NOT ATTEMPT TO REPAIR IT!

To avoid injury and risk of fire, explosion, or electric shock, and to avoid damage to the environment:

- Cover the battery's terminals with heavy-duty adhesive tape

- DO NOT** attempt to remove or destroy any of the battery pack components.

- DO NOT** attempt to open the battery pack.

- If a leak develops, the released electrolytes are corrosive and toxic. **DO NOT** get the solution in the eyes or on skin, and do not swallow it.

- DO NOT** place these batteries in your regular household trash.

- DO NOT** incinerate.

- DO NOT** place them where they will become part of any waste landfill or municipal solid waste stream.

Take them to a certified recycling or disposal center.

## TROUBLESHOOTING

PROBLEM	POSSIBLE CAUSE	SOLUTION
The motor doesn't run.	The drive system is not working properly.	Request the locally authorized maintenance service center to carry
	Battery failure (undervoltage)	Charge the battery pack. If the charging is not valid, replace the battery pack.
	Safety key not inserted	Insert the safety key
The motor doesn't run after a period of use.	Low battery power	Charge the battery pack. If the charging is not valid, replace the battery pack.
	The cutting height is too low	Raise the height.
The motor doesn't reach the maximum speed	The battery is not properly inserted.	Insert the battery pack as described in this manual.
	Low battery power	Charge the battery pack. If the charging is not valid, replace the battery pack.
	The drive system is not working properly.	Request the locally authorized maintenance service center to carry
The blade doesn't rotate: Switch off the lawn mower immediately!	Blade was blocked by foreign objects (such as twigs or grass)	Remove foreign object.
	The drive system is not working properly.	Request the locally authorized maintenance service center to carry
Abnormal vibration: Switch off the lawn mower immediately!!	Blade is unbalanced, excessive or uneven wear	Replace blade
	Excessive accumulation of grass debris on the blade or partial entanglement of the blade	Remove grass debris
LED indicator of tool flash for 1-19 times, motor fails to start	Motor controller fault, or over temperature, or low battery, or over load, etc.	<ol style="list-style-type: none"> <li>1. Release the trigger and restart the machine after 3-5s; or</li> <li>2. stop the operation and cool the tool, or charge the battery, or</li> <li>3. Clean the deck and blade to remove grass debris and foreign object</li> </ol>

## WARRANTY PAGE

### Returns

We offer a no quibble 30 day money back guarantee for all goods shipped correctly that are not required. The buyer will be responsible for the return postage and packing charges and any original shipping charges are non refundable. Goods should be returned in a condition suitable for resale and where possible should be returned in their original packaging.

Goods which are manufactured specifically for an order and shipped correctly are not returnable.

If the wrong item is received it is the responsibility of the buyer to notify us in writing within 7 days of receipt. Arrangements will then be made for the incorrect item to be collected and a replacement item to be dispatched

### Warranty

#### Warranty Qualifications

We at Warrior understand the importance of warranty for service & repair, we offer a standard 3 Year (Tools Only) & 1 year (Battery Only) warranty without the need for registering your purchase.

Please view the limitations below and read the full T&C's about the warranty offered on a particular product.

All we require is the either a copy of the original proof of purchase or an invoice supplied from retailer at the time of purchase to enable the claim to be raised. Please keep your proof of purchase safe for the duration of your terms, in the unfortunate event you need our technical support we will ask for this to be provided on each claim, NO proof of purchase any warranty claim will be delayed or rejected.

Transportation charges on any product or part(s) submitted for repair or replacement under this warranty are the sole responsibility of the purchaser. This warranty only applies to the original purchaser and is not transferable.

Do Not Return the Unit to the Place of Purchase

Contact Technical Support and we will troubleshoot any issue via phone or e-mail. If the problem or issue is not resolved by this method, we will, at its option, authorise an evaluation, repair or replacement of the defective product, part(s) or component at our own Service Centre workshop. If and when an product has to be replaced in most cases it will be on a like for like basis not old for new. We will provide you with a case number for warranty service and this can be monitored through your login account. Please keep it for future reference. Repairs or replacements without prior authorization, or at an unauthorized repair facility, will not be covered by this warranty. We do have warranty exclusions for customers outside the United Kingdom please see our full T&C's.

### Warranty Exclusions

#### THIS WARRANTY DOES NOT COVER THE FOLLOWING:

##### NORMAL WEAR

Your product needs periodic parts and service to perform well. This warranty does not cover repair when normal use has exhausted the life of a part or the equipment as a whole.

##### INSTALLATION, USE AND MAINTENANCE

This warranty will be voided and (or) not apply to parts or labour if your product is deemed to have been misused, neglected, involved in an accident, abused, overloaded beyond the limits, modified, installed improperly or connected incorrectly to any electrical component or system for battery charging. Normal period maintenance is not covered by this warranty.

### Other Exclusions

This warranty excludes:

- cosmetic defects such as paint, decals, stickers or accessory tools
- service parts including blades, string, chains, bars or bags
- any electrical component other than main control unit like fuses, connectors, dials, knobs or levers.
- failures due to acts of God and other force majeure events beyond the manufacturer's control
- problems caused by parts that are not original
- alteration or modification(s) made by any party other than the manufacturer
- any third party electrical equipment
- All batteries supplied Over 1 Year Old.

### Limits of Implied Warranty and Consequential Damage

BPE Holdings (Warrior Eco Power Equipment) disclaims any obligation to cover any loss of time, use of this product, freight, or any incidental or consequential claim costs by anyone using this product.

THIS WARRANTY IS IN LIEU OF ALL OTHER WARRANTIES, EXPRESS OR IMPLIED, INCLUDING WARRANTIES OF MERCHANTABILITY OR FITNESS FOR A PARTICULAR PURPOSE.

A unit provided as an exchange will be subject to the warranty of the original unit. The length of the warranty governing the exchanged unit will remain calculated by reference to the purchase date of the original unit. This warranty gives you certain legal rights which may change from country to country. Your country may also have other rights you may be entitled to that are not listed within this warranty.

**WARRIOR**<sup>®</sup>  
ECO POWER EQUIPMENT

## BETRIEBSANLEITUNG

MODEL #WEP82423M  
SCHNURLOSER AKKU-RASENMÄHER



# SCHNURLOSER LITHIUM-ION AKKU-RASENMÄHER

**BEWAHREN SIE DIESE ANLEITUNG AUF.** Dieses Handbuch enthält wichtige Sicherheitsmaßnahmen, die vor der Inbetriebnahme des Produkts gelesen und verstanden werden sollten. Die Nichtbeachtung kann schwere Verletzungen zur Folge haben. Dieses Handbuch sollte beim Produkt aufbewahrt werden.

Die technischen Daten, Beschreibungen und Abbildungen in diesem Handbuch sind so genau, wie sie zum Zeitpunkt der Veröffentlichung bekannt waren, können aber ohne vorherige Ankündigung geändert werden.

REV 20211217

## TECHNISCHE DATEN

<b>SCHNURLOSER AKKU-RASENMÄHER</b>	
Typenbezeichnung	SCHNURLOSER AKKU-RASENMÄHER
Selbstfahrende Funktion	M8242 Ja
Schnitthöhe	25 bis 95mm
Schnittbreite (Durchmesser der Klinge)	490 mm
Leerlauf	2,800/min
Max. Geschwindigkeit	3,200/min
Abmessungen (Länge x Breite x Höhe) Während des Betriebs	Länge:1,390 mm bis 1,650 mm
	Breite:570 mm
	Höhe:850 mm bis 1,130 mm
Abmessungen (Länge x Breite x Höhe) Lagerung (ohne Grasfangkorb)	Länge:868 mm
	Breite:570 mm
	Höhe:550 mm
Nennspannung	60 VDC
Nettogewicht	24.6 Kg (M8243) 26.7 Kg (M8242)
Degree of protection	IPX4
Stärke des Schutzes	6-stufig

- Der Hersteller behält sich das Recht vor, die Spezifikationen ohne vorherige Ankündigung zu ändern.
- Maschinenspezifikationen und Akkupacks können von Land zu Land variieren
- Das Gewicht variiert je nach Zubehör (einschließlich Akku). Gemäß EPTA-Verfahren 01/2014 ist die wichtigste und leichteste Kombination in der Tabelle aufgeführt.
- Zugelassener Akku: BP8302-2500mAh / 4000mAh/5000mAh

## SICHERHEITSHINWEISE

### **WARNUNG**

#### **Lesen Sie alle Warnungen und Anweisungen.**

Die Nichtbeachtung der folgenden Warnungen und Anweisungen kann zu Stromschlag, Feuer und/oder schweren Verletzungen führen.

#### **Verwendungszweck**

Der Akku-Rasenmäher ist nur zum Mähen von Gras in Privatgärten bestimmt. Es wurde nicht für die dauerhafte gewerbliche Nutzung entwickelt. Bei gewerblicher Nutzung erlischt die Garantie.

Jede andere Verwendung, die in dieser Anleitung nicht ausdrücklich erlaubt ist, kann den Rasenmäher beschädigen und eine ernsthafte Gefahr für den Benutzer darstellen. Der Mäher ist für den Gebrauch durch Erwachsene bestimmt. Kinder und Personen, die mit dieser Anleitung nicht vertraut sind, dürfen sie nicht verwenden. Die Verwendung des Rasenmähers bei Regen oder in feuchter Umgebung ist verboten. Der Hersteller haftet nicht für Schäden, die durch unsachgemäßen Gebrauch oder falsche Bedienung entstehen.

#### **Restrisiken**

Auch wenn Sie dieses Elektrowerkzeug richtig bedienen, bleiben immer Restrisiken. Im Zusammenhang mit dem Design und der Konstruktion dieses Elektrowerkzeugs können folgende Gefahren auftreten:

- Schnittschäden.
- Gehörschäden, wenn kein geeigneter Gehörschutz getragen wird.
- Gesundheitsschäden durch Hand-Arm-Vibrationen, wenn das Gerät über einen längeren Zeitraum verwendet oder nicht ordnungsgemäß verwaltet und gewartet wird.

#### **Émissions sonores**

Typischer A-bewerteter Geräuschpegel (gemessen nach EN 60335-2-77):

Typenbezeichnung: M8242/M8243

Schalldruckpegel (LpA): 79 dB (A)

Schalleistungspegel (LWA): 91 dB (A)

Messunsicherheit (K): 3,4 dB (A)

Der Geräuschpegel während des Betriebs kann 80 dB (A) betragen.

*Hinweis: Der angegebene Geräuschemissionswert wird nach gängigen Prüfmethoden ermittelt und kann zum Vergleich der Geräte herangezogen werden.*

*Hinweis: Der angegebene Geräuschemissionswert kann auch zur vorläufigen Bewertung der Werkzeulleistung verwendet werden.*

### **WARNUNG**

#### **Gehörschutz tragen.**

### **WARNUNG**

Der Geräuschemissionswert kann während des tatsächlichen Gebrauchs des Elektrowerkzeugs vom angegebenen Wert abweichen, abhängig von der Verwendung des Werkzeugs, insbesondere der Art des bearbeiteten Werkstücks.

### **WARNUNG**

Treffen Sie unbedingt Sicherheitsvorkehrungen, um den Bediener entsprechend den vorhergesagten tatsächlichen Betriebsbedingungen zu schützen. Alle Aspekte des Betriebszyklus müssen berücksichtigt werden (wie Abschaltzeit, Totzeit und Anlaufzeit).

#### **Vibration**

Schwingungsemissionswert (Drei-Achsen-Vektorsumme) (gemessen nach EN 60335-2-77):

Typenbezeichnung: M8242/M8243

Schwingung (ah): 5 m/s<sup>2</sup>

Messunsicherheit (K): 1,5 m/s<sup>2</sup>

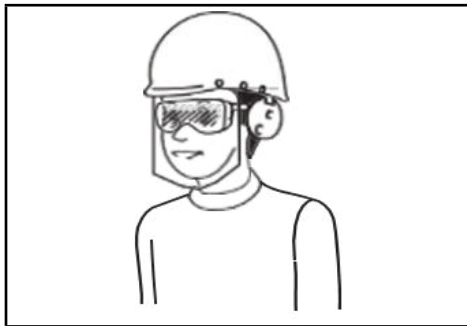
#### **Sicherheitshinweise für Rasenmäher**

Bewahren Sie alle Sicherheitswarnungen und Anweisungen zum späteren Nachschlagen auf.

- Stecken Sie den Sicherheitsschlüssel in den Rasenmäher, wenn Sie ihn verwenden möchten.
- Passen Sie auf Kinder auf. Lassen Sie Kinder nicht mit dem Rasenmäher spielen.
- Erlauben Sie niemals Kindern oder Personen, die mit dieser Anleitung nicht vertraut sind, die

Maschine zu benutzen. Örtliche Vorschriften können das Alter des Betreibers einschränken.

4. Bedienen Sie die Maschine niemals, wenn sich Personen, insbesondere Kinder, oder Haustiere in der Nähe aufhalten.
5. Denken Sie daran, dass der Betreiber oder Benutzer für Unfälle oder Gefahren für andere Personen oder deren Eigentum verantwortlich ist.
6. Tragen Sie beim Betrieb der Maschine immer festes Schuhwerk und lange Hosen. Bedienen Sie die Maschine nicht barfuß oder mit offenen Sandalen. Vermeiden Sie das Tragen von locker sitzender Kleidung mit hängenden Schnüren oder Bändern. Sie können sich in beweglichen Teilen verfangen.
7. Tragen Sie bei der Verwendung des Werkzeugs immer eine Schutzbrille, um Augenverletzungen zu vermeiden. Brillen müssen US ANSI Z87.1, Europäische EN 166 oder Australisch/Neuseeland AS/NZS 1336 erfüllen. In Australien/Neuseeland schreibt das Gesetz eine Maske zum Schutz des Gesichts vor.



Arbeitgeber müssen den Bediener der Werkzeuge und andere Arbeiter im Arbeitsbereich beaufsichtigen, um die entsprechende Sicherheitsausrüstung zu tragen.

- Betreiben Sie die Maschine nur bei Tageslicht oder bei gutem Kunstlicht.
- Vermeiden Sie den Betrieb der Maschine in nassem Gras

#### EG-Konformitätserklärung

Diese gilt nur für EU-Länder. Anhang A dieses Handbuchs enthält die EG-Konformitätserklärung.

#### Sicherheitshinweise für Rasenmäher

8. Die Verwendung und Wartung von akkubetriebenen Elektrowerkzeugen
  - 8a. Verwenden Sie zum Laden nur das angegebene Ladegerät des Herstellers. Die Verwendung eines anderen Ladegeräts kann einen Brand verursachen.
  - 8b. Elektrowerkzeuge können nur besonders spezifizierte Akkus verwenden. Andere Akkutypen können Verletzungen oder Feuer verursachen.
  - 8c. Halten Sie den Akku bei Nichtgebrauch von Büroklammern, Münzen, Schlüsseln, Nägeln, Schrauben oder anderen kleinen Metallgegenständen fern. Diese Gegenstände können die Akkupole kurzschließen. Ein Kurzschluss im Akku kann zu Verbrennungen oder Bränden führen.
  - 8d. Bei übermäßigem Gebrauch kann Flüssigkeit aus dem Akku austreten. Kontakt mit der Flüssigkeit vermeiden. Sollten Sie versehentlich mit der Akkuflüssigkeit in Berührung kommen, spülen Sie diese mit Wasser ab. Wenn die Flüssigkeit das Auge berührt, suchen Sie einen Arzt auf. Das Auslaufen des Akkus kann zu allergischen Entzündungen oder Verbrennungen führen.
  - 8e. Werfen Sie den Akku nicht ins Feuer. Andernfalls kann der Akku explodieren. Spezifische Handhabungsanweisungen finden Sie in den örtlichen Vorschriften.
  - 8f. Öffnen oder zerlegen Sie den Akku nicht. Der verschüttete Elektrolyt ist ätzend und kann Augen oder Haut schädigen. Beim Verschlucken besteht Vergiftungsgefahr.
  - 8g. Laden Sie das Gerät nicht bei Regen oder an einem nassen Ort auf.
9. Halten Sie den Griff fest.
10. Stellen Sie sicher, dass Sie geneigt stehen.
11. Gehen Sie, laufen Sie niemals.
12. Berühren Sie beim Bewegen oder Halten des Rasenmähers nicht das freiliegende Messer oder die Schneidkanten.
13. Körperliche Verfassung - Betreiben Sie den Rasenmäher nicht, wenn Sie müde sind oder unter dem Einfluss von Drogen, Alkohol oder Medikamenten stehen.

14. Hände und Füße sollten sich von rotierenden Klingen fernhalten. Hinweis - das Messer dreht sich auch nach dem Ausschalten des Rasenmähers.
15. Verwenden Sie nur die in dieser Anleitung angegebenen Originalklingen.
16. Überprüfen Sie vor der Verwendung immer visuell, ob die Klinge, der Klingenbolzen und die Klingeneinheit abgenutzt oder beschädigt sind. Ersetzen Sie abgenutzte oder beschädigte Komponenten in Sätzen, um das Gleichgewicht zu erhalten. Ersetzen Sie beschädigte oder unlesbare Etiketten.
17. Stellen Sie sicher, dass sich keine anderen Personen im Arbeitsbereich aufhalten, bevor Sie den Rasenmäher bedienen. Wenn jemand den Arbeitsbereich betritt, stoppen Sie den Rasenmäher.
18. Entfernen Sie vor dem Betrieb des Rasenmähers Fremdkörper wie Steine, Draht, Flaschen, Knochen und große Äste im Arbeitsbereich, um Verletzungen oder Schäden am Rasenmäher zu vermeiden.
19. Wenn Sie Auffälligkeiten feststellen, stellen Sie die Verwendung des Rasenmähers sofort ein. Schalten Sie es aus und ziehen Sie den Sicherheitsschlüssel ab. Überprüfen Sie anschließend den Rasenmäher.
20. Wenn die Rasenmaschine die Funktion der Schnitthöhe nicht ein, während die Rasenmaschine in Betrieb ist.
21. Lassen Sie den Schalthebel los und warten Sie, bis sich das Messer nicht mehr dreht, bevor Sie die Auffahrt, den Bürgersteig, die Straße oder eine Schotterstraße überqueren. Ziehen Sie unbedingt den Sicherheitsschlüssel ab, wenn Sie einen Rasenmäher platzieren, Fremdkörper auf dem Schnittpfad aufnehmen oder in jedem Fall, der Ihre Aufmerksamkeit ablenken könnte.
22. Wenn die Schneidklinge auf einen Fremdkörper trifft, kann dies zu schweren Verletzungen führen. Inspizieren Sie den Arbeitsbereich sorgfältig und entfernen Sie alle Ablagerungen vor jedem Gebrauch.
23. Wenn der Rasenmäher auf einen Fremdkörper stößt, führen Sie die folgenden Schritte aus:

- 23a. Stellen Sie den Motor ab, lassen Sie den Schalter los und warten Sie, bis das Messer vollständig stoppt.
- 23b. Entfernen Sie den Sicherheitsschlüssel und entnehmen Sie den Akku
- 23c. Überprüfen Sie den Rasenmäher gründlich auf Beschädigungen.
- 23d. Wenn das Messer beschädigt ist, ersetzen Sie es. Reparieren Sie alle Schäden, bevor Sie das Gerät neu starten und weiter betreiben.
24. Überprüfen Sie den Grasfangkorb regelmäßig auf Verschleiß oder Funktionsverlust. Entleeren Sie den Grasfänger während der Lagerung. Ersetzen Sie aus Sicherheitsgründen den verschlissenen Grasfangsack durch einen neuen originalen Grasfangsack.
25. Seien Sie äußerst vorsichtig, wenn Sie rückwärts fahren oder die Maschine zu sich heranziehen.
26. Stoppen Sie die Klinge(n), wenn die Maschine für den Transport gekippt werden muss, wenn Sie andere Oberflächen als Gras überqueren und wenn Sie die Maschine zu und von dem zu verwendenden Bereich transportieren.
27. Betreiben Sie die Maschine niemals mit defekten Schutz- oder Schutzblechen oder ohne angebrachte Sicherheitsvorrichtungen, z.B. Abweiser und/oder Fangkorb.
28. Schalten Sie den Rasenmäher gemäß der Bedienungsanleitung vorsichtig ein. Halten Sie Ihre Füße vom Schneidmesser fern.
29. Kippen Sie die Maschine beim Einschalten des Motors nicht, außer wenn die Maschine zum Starten gekippt werden muss. Kippen Sie es in diesem Fall nicht mehr als unbedingt erforderlich und heben Sie nur den Teil an, der vom Bediener weg liegt.
30. Starten Sie die Maschine nicht, wenn Sie vor der Auswurföffnung stehen.
31. Halten Sie Hände oder Füße nicht in die Nähe oder unter rotierende Teile. Halten Sie sich immer von der Auswurföffnung fern.
32. Transportieren Sie die Maschine nicht bei laufender Stromquelle.
33. Stoppen Sie die Maschine und entfernen Sie die Deaktivierungsvorrichtung. Stellen Sie sicher, dass

- alle beweglichen Teile vollständig zum Stillstand gekommen sind:
- 33a. wenn Sie die Maschine verlassen;
- 33b. bevor Sie Verstopfungen beseitigen oder die Rinne freimachen;
- 33c. bevor Sie die Maschine überprüfen, reinigen oder daran arbeiten;
- 33d. nach dem Auftreffen auf einen Fremdkörper. Überprüfen Sie die Maschine auf Beschädigungen und führen Sie Reparaturen durch, bevor Sie die Maschine wieder in Betrieb nehmen und betreiben.
34. Wenn die Maschine ungewöhnlich zu vibrieren beginnt (sofort überprüfen).
- 34a. auf Schäden untersuchen;
- 34b. beschädigte Teile ersetzen oder reparieren;
- 34c. auf lose Teile prüfen und festziehen.
35. Seien Sie beim Einstellen der Maschine vorsichtig, um ein Einklemmen der Finger zwischen beweglichen Messern und feststehenden Teilen der Maschine zu vermeiden.
36. Achten Sie auf Steigungen immer auf sicheren Halt. Mähen Sie quer zum Hang, niemals auf und ab. Seien Sie beim Richtungswechsel am Hang äußerst vorsichtig. Mähen Sie keine zu steilen Hänge.
37. Überprüfen Sie immer, ob die Befestigungsschrauben richtig angezogen sind.
38. Halten Sie alle Muttern, Bolzen und Schrauben fest, um sicherzustellen, dass sich die Maschine in einem sicheren Betriebszustand befindet.
39. Lassen Sie die Maschine immer abkühlen, bevor Sie sie lagern.
40. Beachten Sie bei der Wartung der Messer, dass die Messer auch bei ausgeschalteter Stromquelle bewegt werden können.
41. Ersetzen Sie abgenutzte oder beschädigte Teile aus Sicherheitsgründen. Verwenden Sie nur Originalersatzteile und -zubehör.
42. Verwenden Sie den Rasenmäher nicht bei Gewitter.
43. Wenn Sie den Rasenmäher auf schlammigem Untergrund, nassen Hängen oder rutschigen Stellen verwenden, stehen Sie ruhig.
44. Vermeiden Sie Arbeiten in rauen Umgebungen, die die Ermüdung des Benutzers erhöhen können.
45. Verwenden Sie den Rasenmäher nicht bei schlechtem Wetter mit eingeschränkter Sicht. Andernfalls kann es aufgrund schlechter Sicht zu Stürzen oder Fehlbedienungen kommen.
46. Tauschen Sie den Akku nicht bei Regen aus.
47. Tauchen Sie den Rasenmäher nicht in eine Pfütze.
48. Lassen Sie das Gerät an regnerischen Tagen nicht unbeaufsichtigt im Freien.
49. Stecken oder ziehen Sie den Sicherheitsschlüssel nicht bei Regen ein.
50. Wenn nasses Laub oder Schmutz durch Regen an den Saugdüsen (Luftinlass) haften, entfernen Sie diese.
51. Waschen Sie den Rasenmäher nicht mit Hochdruckreiniger.
52. Achten Sie beim Reinigen des Rasenmähers darauf, den Akku und den Sicherheitsschlüssel zu entfernen und die Akkuabdeckung zu schließen. Spülen Sie dann die Unterseite des Rasenmähers, wo das Messer montiert ist.
53. Vermeiden Sie bei der Lagerung des Rasenmähers direkte Sonneneinstrahlung und Regen und lagern Sie ihn an einem Ort, der nicht heiß oder feucht wird.
54. Führen Sie die Inspektion oder Wartung an einem Ort durch, an dem es nicht regnet.
55. Entfernen Sie nach dem Gebrauch des Rasenmähers anhaftenden Schmutz und trocknen Sie den Rasenmäher gründlich, bevor Sie ihn einlagern. Je nach Jahreszeit oder Region besteht die Möglichkeit einer Störung durch Einfrieren.
56. Lassen Sie die Akkupole nicht mit Flüssigkeiten in Kontakt kommen und tauchen Sie den Akku nicht in Wasser. Setzen Sie den Akku nicht Regen aus und laden, verwenden oder lagern Sie den Akku nicht an einem feuchten Ort. Wenn die Akkupole nass sind oder Flüssigkeit in den Akku eindringt, kann der Akku kurzgeschlossen werden, was zu Überhitzung, Feuer oder Explosion führen kann.
57. Achten Sie darauf, die Akkuabdeckung an der Akkubox zu montieren, nachdem Sie den Akku aus dem Rasenmäher oder dem Ladegerät genommen haben, und bewahren Sie ihn an einem trockenen Ort auf.

58. Ersetzen Sie den Akku nicht mit nassen Händen.
59. Verwenden Sie das Gerät nicht im Schnee.
60. Wenn das geschnittene Gras nass wird, kann es das Innere des Rasenmähers verstopfen. Kontrollieren Sie regelmäßig den Zustand des Rasenmähers und entfernen Sie ggf. das anhaftende Gras
- verursachen und zu einem Brand oder sogar Ausfall führen kann.
6. Platzieren Sie das Werkzeug und den Akku nicht an Orten, an denen die Temperatur 50 °C (122 °F) erreichen oder überschreiten kann
7. Verbrennen Sie den Akku nicht, auch wenn er ernsthaft beschädigt oder vollständig abgenutzt ist. Der Akku wird im Feuer explodieren.
8. Schlagen Sie den Akku nicht an und lassen Sie ihn nicht fallen..
9. Verwenden Sie keinen beschädigten Akku.
10. Mit diesem Werkzeug gelieferte Lithium-Ionen-Akkus müssen den Anforderungen für gefährliche Güter entsprechen. Bei gewerblichen Transporten, z. B. durch Dritte oder Umschlagsbetriebe, sind besondere Anforderungen an Verpackung und Kennzeichnung zu beachten. Um Transportprojekte vorzubereiten, wenden Sie sich an Fachleute für gefährliche Produkte. Beachten Sie die ggf. detaillierteren nationalen Gesetze und Vorschriften. Verwenden Sie das Klebeband, um die Kontaktinformationen auf der Oberfläche zu schützen, und kapseln Sie den Akku fest ein, damit der Akku in der Verpackung nicht bewegt werden kann.
11. Befolgen Sie die örtlichen Vorschriften zur Entsorgung gebrauchter Akkus
12. Verwenden Sie nur den Akku für das angegebene Produkt von WARRIOR ECO. Das Einsetzen des Akkus in ein nicht kompatibles Produkt kann zu Feuer, Überhitzung, Explosion oder Auslaufen von Elektrolyt führen.

### Bewahren Sie dieses Handbuch zum späteren Nachschlagen an einem sicheren Ort auf

#### **WARNUNG**

Befolgen Sie immer alle Sicherheitshinweise, auch wenn Sie mit dem Gerät ausreichend vertraut sind (Erfahrung durch wiederholte Benutzung).

Unsachgemäßer Gebrauch oder Nichtbeachten der Sicherheitshinweise in der Anleitung kann zu schweren Verletzungen führen

### Sicherheitshinweise für Akkupack

- Lesen Sie alle Anweisungen und die Sicherheitssymbole auf dem Ladegerät (1), dem Akku (2) und dem akkubetriebenen Gerät (3) sorgfältig durch, bevor Sie den Akku verwenden
- Zerlegen Sie das Akkupack nicht.
- Wenn die Laufzeit des Rasenmähers zu kurz wird, stoppen Sie den Betrieb sofort. Andernfalls kann es zu Überhitzung, Brand oder sogar Explosion kommen
- Wenn Elektrolyt aus dem Akku in Ihre Augen gelangt, spülen Sie ihn mit klarem Wasser aus und suchen Sie sofort einen Arzt auf. Andernfalls kann es zu Sehbehinderungen kommen
- Den Akku nicht kurzschließen:
  - Achten Sie darauf, dass die Akkupole nicht mit leitfähigem Material in Berührung kommen.
  - Legen Sie den Akku nicht in denselben Behälter mit anderen Metallgegenständen wie Nägeln, Münzen usw. Do not put the battery pack in water and do not expose the battery to rain.
  - Tauchen Sie den Akku nicht in Wasser und setzen Sie den Akku nicht Regen aus. Ein Kurzschluss im Akkupack erzeugt einen hohen Strom, der eine Überhitzung

Bewahren Sie dieses Handbuch zum späteren Nachschlagen an einem sicheren Ort auf.

#### **WARNUNG**

### Verwenden Sie nur originale Akkus von WARRIOR ECO.










Die Verwendung eines eines von WARRIOR ECO stammenden originalen Akkus oder eines modifizierten Akkus kann zu Feuer, Verletzungen oder Sachschäden am Produkt führen. Gleichzeitig erlischt die Garantie auf Werkzeug und Ladegerät von WARRIOR ECO.

Tipps zur Erhaltung der maximalen Lebensdauer des Akkus.

1. Laden Sie den Akku rechtzeitig auf, bevor er vollständig entladen ist. Schalten Sie den Rasenmäher bei schwachem Akku aus und laden Sie den Akku auf.
2. Laden Sie keinen vollständig geladenen Akku auf. Überladen verkürzt die Lebensdauer des Akkus.
3. Laden Sie den Akku bei einer Raumtemperatur zwischen 10° C und 40° C (50° F - 104° F). Laden Sie den heißen Akku nach dem Abkühlen auf.
4. Wenn der Akku länger als drei Monate nicht verwendet wird, laden Sie ihn auf.

## SYMBOLS AUF DEM PRODUKT

Die verwendeten Symbole sind unten aufgeführt. Stellen Sie sicher, dass Sie die Bedeutung aller Symbole verstanden haben, bevor Sie das Gerät verwenden.

SYMBOL	MEANING
	<b>Warnung/ Warnhinweise</b>
	<b>Lesen Sie das Bedienerhandbuch oder das Handbuch.</b> Um das Verletzungsrisiko zu verringern, muss der Benutzer lesen und die Bedienungsanleitung verstehen, bevor Sie dieses Produkt verwenden.
	<b>Schutzbrille/Visier, Schutzhelm &amp; Gehörschutz Utilice protección para ojos, oídos y cabeza</b>
	<b>Warnung wegen Feuchtigkeit.</b> Nicht Regen aussetzen oder an feuchten Orten verwenden
	<b>Achten Sie auf geworfene Gegenstände und Querschläger</b>
	<b>Sicherheitshandschuhe</b>
	<b>Bauweise Klasse II.</b> Doppelt isolierte Bauweise.
	<b>Warnung: Halten Sie Hände und Füße vom rotierenden Messer fern. Verletzungsgefahr! Das Messer dreht sich nach dem Ausschalten des Motors weiter</b>
	<b>Halten Sie Personen und Tiere vom Arbeitsbereich fern</b>

Die folgenden Signalwörter und Bedeutungen sollen das mit diesem Produkt verbundene Risikoniveau erklären.

### **GEFAHR**

Weist auf eine drohende gefährliche Situation hin, die, wenn sie nicht vermieden wird, zum Tod oder zu schweren Verletzungen führt.

### **VORSICHT**

Weist auf eine möglicherweise gefährliche Situation hin, die, wenn sie nicht vermieden wird, zu leichten oder mittelschweren Verletzungen führen kann.

### **WARNUNG**

Weist auf eine möglicherweise gefährliche Situation hin, die, wenn sie nicht vermieden wird, zum Tod oder zu schweren Verletzungen führen kann.

### **VORSICHT**

(Ohne Sicherheitswarnsymbol) Weist auf eine Situation hin, die möglicherweise zu Sachschäden führen kann.



## MONTAGE

**! WARNUNG**

Vor Montagearbeiten am Rasenmäher unbedingt Sicherheitsschlüssel und Akkupack entfernen. Wenn der Sicherheitsschlüssel und der Akkupack nicht entfernt werden, kann es zu einem unerwarteten Start mit schweren Verletzungen kommen.

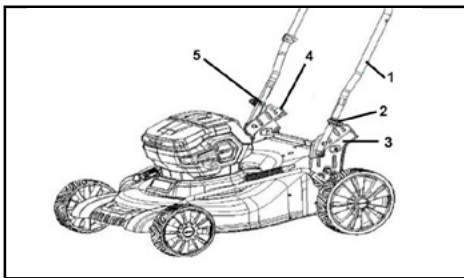
**! WARNUNG**

Der Rasenmäher kann erst nach vollständiger Montage gestartet werden. Eine teilweise Montage kann durch unbeabsichtigte Aktivierung zu schweren Personenschäden führen.

**So montieren Sie den Griff**

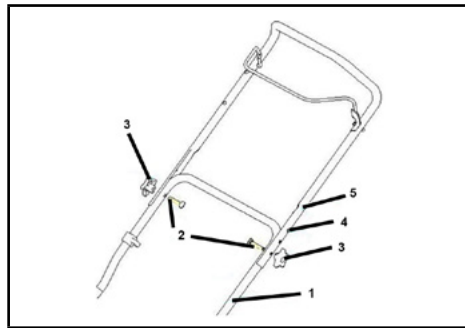
*Hinweis: Klemmen Sie bei der Montage des Griffs die Drähte nicht zwischen die Griffteile. Wenn das Kabel gebrochen ist, funktioniert der Schalter des Rasenmähers möglicherweise nicht.*

1. Erweitern Sie den unteren Griff, drehen Sie den unteren Griff und richten Sie die Knopfsäule mit einem der Löcher an der linken und rechten Seitenplatte aus. Drehen Sie die Knaufabdeckung nach der Ausrichtung, um die Knaufsäule zu verlängern, damit sie im Loch der linken und rechten Anschlussplatte stecken bleibt.



1. Unterer Griff 2. Knopfabdeckung 3. Linke Anschlussplatte 4. Rechte Anschlussplatte 5. Knopfspalte

2. Richten Sie die Löcher im unteren und oberen Griff aus, setzen Sie die Schraube von innen ein und ziehen Sie die Pflaumenmutter von außen fest.



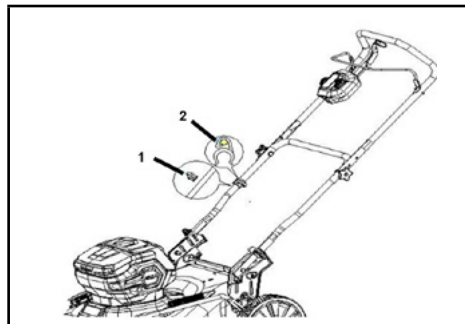
1. Unterer Griff 2. Sattelschraube

3. Pflaumenförmige Mutter 4. Loch 5. Oberer Griff

**! VORSICHT**

Fassen Sie den oberen Griff an, damit Ihnen der Rasenmäher nicht aus der Hand rutscht. Andernfalls kann der Griff herunterfallen und Verletzungen verursachen

3. Montieren Sie die Kabelklemme am unteren Griff. Platzieren Sie die Drähte wie in der Abbildung gezeigt



1. Siphon unten 2. Kabelklemme

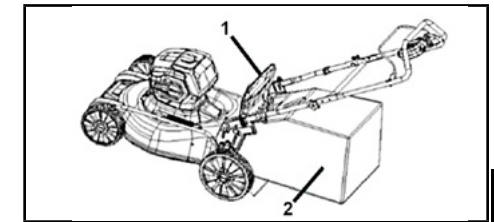
*Hinweis: Achten Sie bei der Montage der Kabelklemme darauf, das Kabel wie in der Abbildung gezeigt mit der Halterung zu befestigen.*

**So entfernen Sie den Mulchkeil**

1. Öffnen Sie die hintere Abdeckung

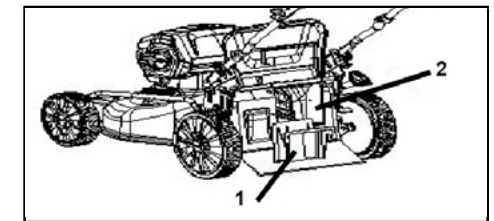
**So montieren Sie den Mulchkeil**

1. Öffnen Sie die hintere Abdeckung und entfernen Sie den Grasfänger.



1. Rückwand 2. Grasfänger

2. Halten Sie den Mulchkeil fest und schieben Sie ihn in die gezeigte Richtung, schieben Sie ihn bis zum Anschlag und Sie hören ein Klicken

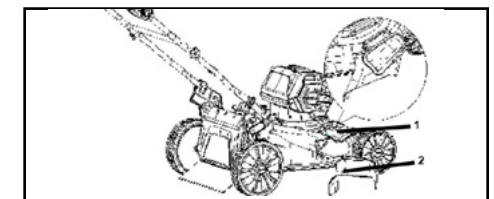


1. Mulchkeil 2. Mulchkeil-Montageanschluss

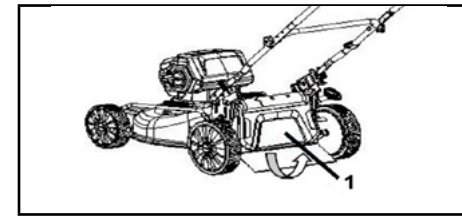
*Hinweis: Stellen Sie sicher, dass die hintere Abdeckung über dem Grasfangkorb nach unten zeigt und den Grasfangsackhalter zusammendrückt; Andernfalls kann der Grasfänger das Schnittgras möglicherweise nicht auffangen.*

**So montieren Sie den Seitenauswurf**

1. Öffnen Sie die Seitenabdeckung und setzen Sie den Seitenauswurf entsprechend der Richtung in der Abbildung ein, sodass die Kerbe des Seitenauswurfs gerade in die Seitenabdeckung einrastet.

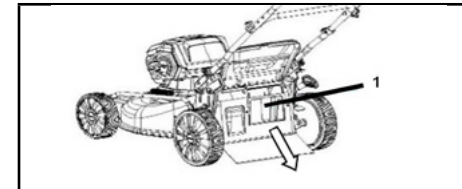


1. Seitendeckel 2. Seitenauswurf



1. Hintere Abdeckung

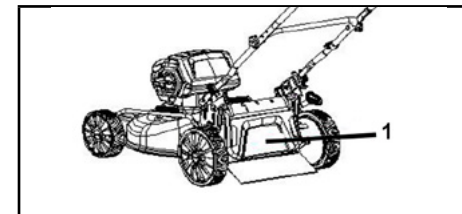
2. Halten Sie den Mulchkeil am Griff fest und ziehen Sie ihn mit etwas Kraft heraus.



1. Mulchkeil

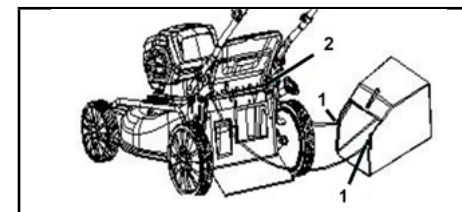
**So montieren Sie den Grasfänger**

1. Öffnen Sie die hintere Abdeckung.



1. Hintere Abdeckung

2. Hängen Sie den Grasfänger an die hintere Abdeckungswelle des Rasenmähers, wie in der Abbildung gezeigt.



1. Grasfängerhaken 2. Hintere Abdeckungswelle

So legen Sie den Akku ein oder entfernen ihn

**VORSICHT**

Schalten Sie den Mäher immer aus, bevor Sie den Akku einsetzen oder entfernen.

Halten Sie das Werkzeug und den Akku sicher fest, wenn Sie den Akku einsetzen oder entfernen. Andernfalls können sie Ihnen aus den Händen gleiten. Dies kann zu Schäden an Werkzeugen und Akkupacks und sogar zu Personenschäden führen.

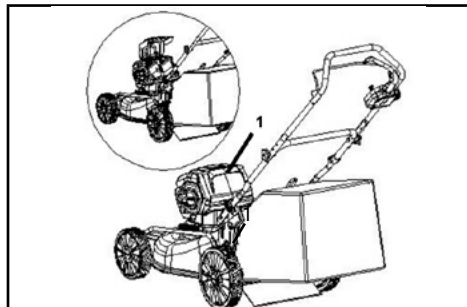
Achten Sie darauf, die Akkuabdeckung vor der Verwendung zu verriegeln, um das Eindringen von Schmutz, Staub oder Wasser in den Akku zu verhindern. Sie können das Produkt oder den Akku beschädigen..

Achten Sie darauf, den Akku vollständig einzulegen, bis Sie die rote Anzeige nicht mehr sehen können. Andernfalls kann es versehentlich aus dem Werkzeug fallen und Sie oder andere verletzen.

*Hinweis: Auch wenn nur ein einzelnes Akkupack eingelegt ist, kann das Werkzeug ordnungsgemäß funktionieren.*

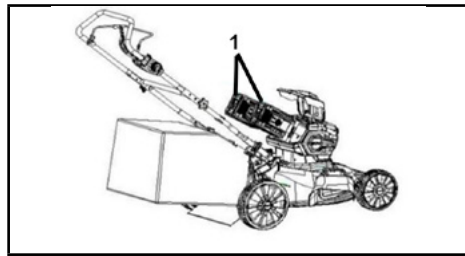
So legen Sie das Akkupack ein:

1. Heben Sie die Akkuabdeckung an und öffnen Sie das



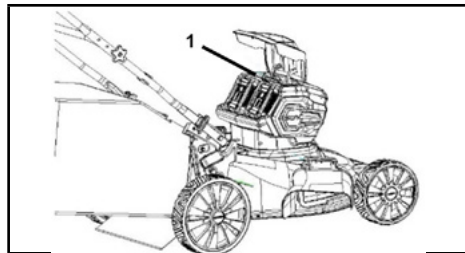
1. Akkuabdeckung

2. Richten Sie den Steckplatz des Akkus an den Rippen im Akkufach aus und schieben Sie den Akku, bis der Akku verriegelt ist und Sie ein Klicken hören..



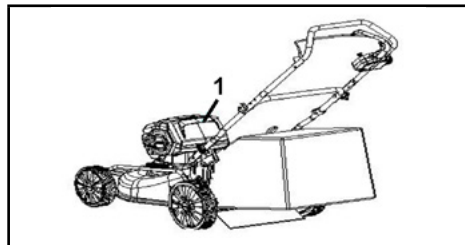
1. Akkupack

3. Stecken Sie den Sicherheitsschlüssel bis zum Ende in die gezeigte Position.



1. Sicherheitsschlüssel

4. Schließen Sie die Akkuabdeckung.



1. Akkuabdeckung

So entfernen Sie das Akkupack aus dem Rasenmäher:

1. Öffnen Sie die Akkuabdeckung,
2. Drücken Sie den Knopf in der Mitte des Akkupacks und ziehen Sie das Akkupack sofort aus dem Gerät,
3. Entfernen Sie den Sicherheitsschlüssel,
4. Schließen Sie die Akkuabdeckung.

Werkzeug-/Akkuschutzsystem

Dieser Rasenmäher ist mit einem Werkzeug-/ Akkuschutzsystem ausgestattet. Das System kann die Stromversorgung des Motors automatisch unterbrechen, um die Lebensdauer von Werkzeugen und Akkus zu verlängern. Wenn das Werkzeug arbeitet, stoppt das Werkzeug automatisch, wenn sich das Werkzeug oder der Akku in den folgenden Situationen befindet.

Überlastschutz

Wenn der Akku so betrieben wird, dass ein ungewöhnlich hoher Strom erzeugt wird, stoppt der Rasenmäher automatisch und die Akkuanzeige blinkt grün. Schalten Sie in diesem Fall den Rasenmäher aus und beenden Sie den Vorgang, der die Überlastung verursacht hat. Schalten Sie dann den Rasenmäher ein, um neu zu starten.

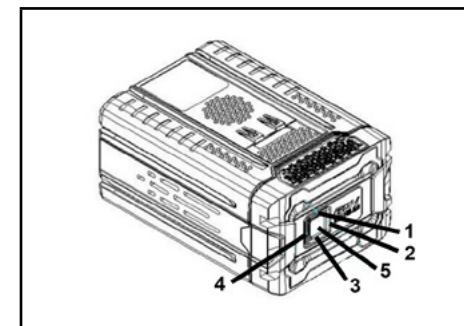
Überhitzungsschutz

Bei Überhitzung des Rasenmähers oder des Akkus stoppt das Gerät automatisch, und die Akkuanzeige leuchtet rot. Warten Sie in diesem Fall, bis sie abgekühlt sind, bevor Sie den Rasenmäher einschalten.

Entladungsschutz

Wenn die Akkuladung niedrig ist, stoppt der Rasenmäher automatisch, und die Hauptstromanzeige blinkt rot. Nehmen Sie in diesem Fall den Akku aus dem Rasenmäher und laden Sie ihn auf oder ersetzen Sie den vollständig geladenen Akku.

So zeigen Sie die verbleibende Akkukapazität an



1. LEDs 2. Ansicht) Knopf

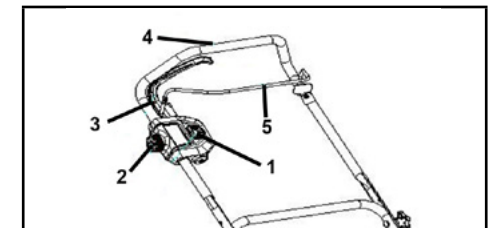
Press the (View) button on the battery pack to show the remaining battery capacity. The indicator will light for a few seconds.

Anzeige	Akkustatus
LED1, LED2, LED3, LED4 leuchten	75% bis 100%
LED1, LED2, LED3 leuchten, LED4 leuchtet nicht	50% bis 75%
LED1, LED2 leuchten LED3, LED4 leuchten nicht	25% bis 50%
LED1 leuchtet LED2, LED3, LED4 leuchten nicht	0% bis 25%
LED1, LED2, LED3, LED4 blinken gleichzeitig	Niedriger Akku muss sofort aufgeladen werden

*Hinweis: Die von der Kontrollleuchte angezeigte Akkuleistung kann bei unterschiedlichen Betriebsbedingungen und Umgebungstemperaturen geringfügig von der tatsächlichen Situation abweichen*

Bedienfeld

Der Hauptnetzschalter, der selbstfahrende Auslöser und der selbstfahrende Schalter zur Geschwindigkeitseinstellung befinden sich auf dem Bedienfeld.



1. Sperrtaste 2. Geschwindigkeitsregler 3. Selbstfahrender Auslöser 4. Oberer Griff 5. Motorbremsgriff

Schalter

**! WARNUNG**

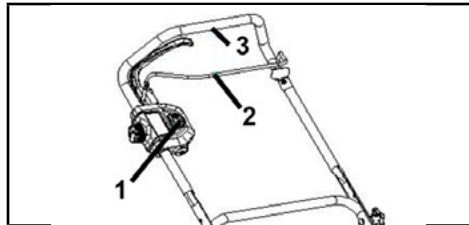
Prüfen Sie vor dem Einsetzen des Akkupacks, ob sich der Motorbremsgriff frei ziehen lässt und beim Loslassen in seine Ausgangsposition zurückkehrt. Wenn der Schalter nicht richtig funktioniert, kann dies zum Verlust der Kontrolle über das Werkzeug oder zu schweren Verletzungen führen.

*Hinweis: Wenn die Sperrtaste nicht gedrückt wird, startet der Rasenmäher auch dann nicht, wenn der Motorbremsgriff gezogen wurde.*

*Hinweis: Wenn Sie versuchen, langes oder zu dichtes Gras gleichzeitig zu schneiden, kann der Rasenmäher aufgrund der Überlastung nicht starten. Erhöhen Sie in diesem Fall die Schnitthöhe.*

TDer Mäher ist mit einem Verriegelungsschalter und einem Griffschalter ausgestattet. Wenn Sie irgendwelche Anomalien an diesen Schaltern feststellen, stoppen Sie den Betrieb sofort und bringen Sie das Werkzeug zur nächsten autorisierten WARRIOR ECO Servicestelle zur Überprüfung.

1. Legen Sie das Akkupack und den Sicherheitsschlüssel ein und schließen Sie den Akkudeckel.
2. Appuyez sur le bouton de verrouillage et relâchez-le.
3. Saisissez la poignée supérieure et tirez sur la poignée du frein moteur.



1. Sperrtaste 2. Motorbremsgriff 3. Oberer Griff

4. Nachdem der Motor zu laufen beginnt, läuft der Rasenmäher weiter, bis Sie den Motorbremsgriff loslassen
5. Lassen Sie den Schalter los und der Motor stoppt

*Hinweis: Wenn der Sicherheitsschlüssel nicht eingesteckt ist, startet der Motor beim Drücken des Schalters nicht.*

#### Selbstfahrender Auslöser

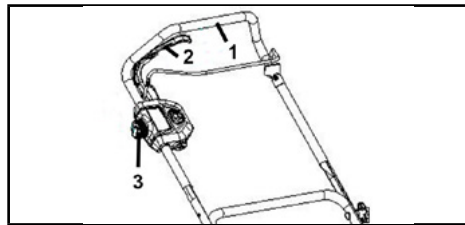
### ! WARNUNG

Prüfen Sie vor dem Einsetzen des Akkus, ob sich der Selbstfahrer frei betätigen lässt und beim Loslassen wieder in seine Ausgangsposition zurückkehrt. Wenn der Schalter am Werkzeug nicht richtig funktioniert, kann dies zum Verlust der Kontrolle über das Werkzeug oder zu schweren Verletzungen führen.

Setzen Sie das Akkupack und den Sicherheitsschlüssel ein und schließen Sie den Akkudeckel.

1. Drücken Sie den selbstfahrenden Auslöser, und der Rasenmäher kann vorwärts fahren.
2. Drehen Sie den Geschwindigkeitsregler, um die Geschwindigkeit des Rasenmähers einzustellen. Der Knopf dreht sich im Uhrzeigersinn, die Geschwindigkeit erhöht sich, der Knopf dreht sich gegen den Uhrzeigersinn und die Geschwindigkeit verlangsamt sich..

*Hinweis: Die Geschwindigkeit des Selbstfahrers kann zwischen 0 und 1,2 m/s eingestellt werden.*



1. Oberer Griff 2. Selbstfahrender Auslöser 3. Geschwindigkeitsregler

## Schnitthöhe einstellen

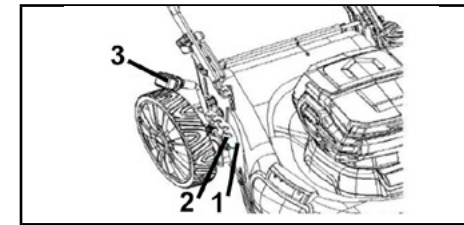
### ! WARNUNG

Beim Einstellen der Schnitthöhe niemals Hände und Beine unter den Rasenmäher legen.

Stellen Sie vor dem Betrieb sicher, dass der Schnitthöhengriff richtig in der Nut platziert ist.

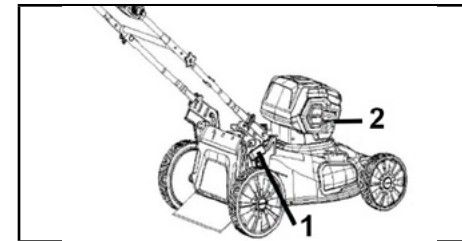
Sie können die Schnitthöhe von 25 mm bis 95 mm einstellen..

Ziehen Sie den Sicherheitsschlüssel ab und ziehen Sie den Schnitthöhengriff zur Außenseite des Rasenmähers und bringen Sie ihn auf die gewünschte Schnitthöhe



1. Zahnplatte 2. Zahnplattennut 3. Schnitthöhengriff

Eine Hand hält das Motorgehäuse des Mähers und die andere Hand bewegt den Schnitthöhengriff.



1. Schnitthöhengriff 2. Motorgehäuse

**Note:** Die Schnitthöhe kann nur als Referenz verwendet werden. Die Rasen- und Bodenbeschaffenheit hebt die Rasenhöhe geringfügig von der eingestellten Höhe ab

**Note:** Führen Sie an einer unauffälligen Stelle einen Probeschnitt durch, um die gewünschte Schnitthöhe zu erreichen.

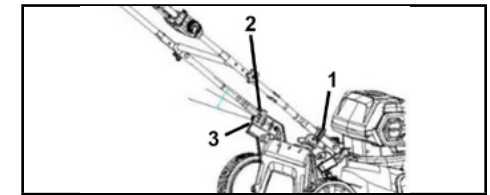
**So stellen Sie die Höhe des Griffs ein**

### ! VORSICHT

Halten Sie immer den oberen Griff fest, bevor Sie den Bolzen entfernen. Andernfalls kann der Griff herunterfallen und Verletzungen verursachen.

Die Höhe des unteren Griffs kann in drei Positionen eingestellt werden.

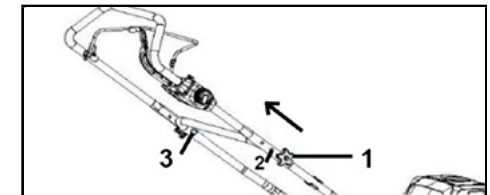
1. Drehen Sie die Knopfdeckung auf beiden Seiten auf Entfernen Sie die Knopfsäule aus dem Loch.



1. Knopfdeckung 2. Knopfspalte 3. Loch

2. Stellen Sie die Höhe des Griffs ein.
3. Nach dem Fixieren der Höhe drehen Sie die Knaufabdeckung erneut, um die Knaufsäule im entsprechenden Loch zu fixieren

Die Höhe des oberen Griffs kann in drei Positionen eingestellt werden.



1. Pflaumenförmige Mutter 2. Loch 3. Sattelschraube

Entfernen Sie die pflaumenförmige Mutter und bewegen Sie den oberen Griff auf die gewünschte Höhe und befestigen Sie die Mutter.

#### So verwenden Sie den Mulchkeil

Der Mulchkeil bringt das geschnittene Grasschnittgut auf den Boden zurück, ohne es im Grasfangkorb aufzufangen. Entfernen Sie immer den Grasfänger, wenn Sie den Mulchkeil verwenden.

#### Elektronische Funktionen

Dieser Mäher ist mit elektronischen Funktionen ausgestattet, um den Bedienkomfort zu verbessern

1. Konstante Geschwindigkeitsregelung Die elektronische Geschwindigkeitsregelung hält die Geschwindigkeit konstant. Auch unter Last kann die Drehzahl konstant gehalten werden, so dass eine gute Mähwirkung erzielt werden kann.
2. Weicher Start Die Softstart-Funktion minimiert Vibrationen beim Start und ermöglicht ein sanftes Starten des Mähers

## BETRIEB

### Gras schneiden

#### ! WARNUNG

Entfernen Sie vor dem Mähen Äste und Steine aus dem Arbeitsbereich. Außerdem muss eventuelles Unkraut im Arbeitsbereich vorab entfernt werden.

Tragen Sie immer eine Schutzbrille oder Schutzbrille mit Seitenabdeckungen, bevor Sie den Rasenmäher in Betrieb nehmen.

#### ! VORSICHT

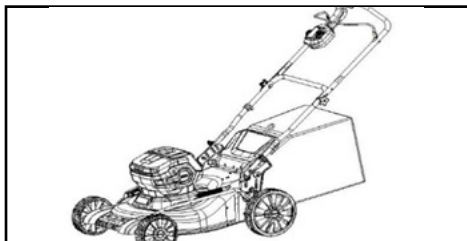
Wenn Grasschnitt oder Fremdkörper das Innere des Rasenmähers verstopfen, entfernen Sie unbedingt den Sicherheitsschlüssel und den Akku und tragen Sie Handschuhe, bevor Sie Grasschnitt und Fremdkörper entfernen.

*Hinweis: Dieser Rasenmäher dient ausschließlich zum Mähen des Rasens. Verwenden Sie ihn nicht, um das Unkraut zu schneiden.*

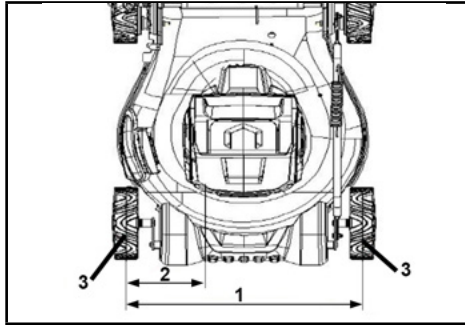


Halten Sie beim Rasenmähen den oberen Schieber mit beiden Händen fest.

Es wird empfohlen, die Mähgeschwindigkeit alle 4 Sekunden etwa 1 Meter zu betragen.

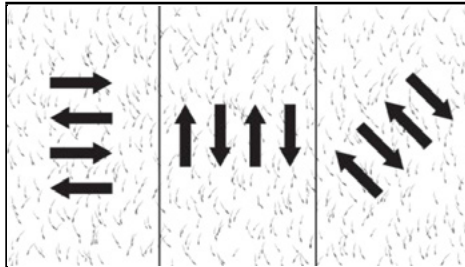


Als Bezugslinie für die Schnittbreite dienen die Mittellinien der Vorderräder. Das Schneiden von Langbändern erfolgt in Bezug auf diese beiden Mittellinien. Beim Schneiden des nächsten Streifens können Sie von 1/2 bis 1/3 der letzten Schnittbreite weiterfahren, um den Rasen gleichmäßig zu mähen



1 Schnittbreite 2. Überlappungsbereich 3. Mittellinien

Ändern Sie die Richtung einmal für jeden Schnitt, um zu verhindern, dass das Rasenmuster in eine Richtung fixiert wird



Überprüfen Sie den Grasfangkorb regelmäßig. Leeren Sie bevor es voll ist. Stoppen Sie den Rasenmäher immer und entfernen Sie den Sicherheitsschlüssel und den Akku vor jeder regelmäßigen Inspektion. *Note: Using the mower with the full grass catcher will prevent the blade from rotating and bring additional load to the motor, which can cause the lawn mower to damage.*

#### Längeres Gras mähen

Versuchen Sie nicht, längeres Gras auf einmal zu schneiden. Mähen Sie stattdessen den Rasen in Etappen. Es kann ein oder zwei Tage gemäht werden, bis die Höhe des Rasens gleich ist.



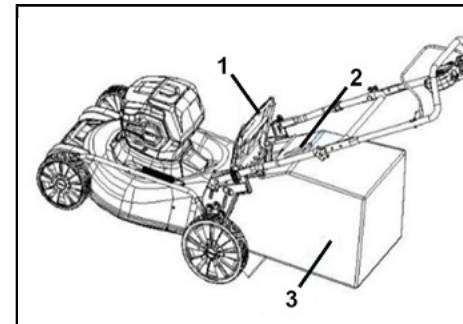
Hinweis: Das gleichzeitige Schneiden von längeren Gräsern kann zum Verwelken des Grases führen. Der Grasschnitt kann auch das Innere des Rasenmähers blockieren.

#### Zum Entleeren des Grasfängers

#### ! WARNUNG

Um die Unfallgefahr zu verringern, überprüfen Sie bitte den Grasfangkorb regelmäßig auf Beschädigungen oder Festigkeit. Ersetzen Sie ihn bei Bedarf

1. Lassen Sie den Schalter los.
2. Entfernen Sie den Sicherheitsschlüssel.
3. Öffnen Sie die hintere Abdeckung und halten Sie den Griff fest, um den Grasfänger zu entfernen.
4. Entleeren Sie den Grasfänger



1..Rückwand 2. Handgriff 3. Grasfänger

## WARTUNG

#### ! WARNUNG

Entfernen Sie immer den Sicherheitsschlüssel und den Akku, bevor Sie ihn lagern, transportieren, prüfen oder warten

Wenn der Rasenmäher nicht verwendet wird, ziehen Sie den Sicherheitsschlüssel ab. Bewahren Sie den Sicherheitsschlüssel an einem sicheren Ort auf und halten Sie ihn von Kindern fern.

Bei Inspektionen und Wartungsarbeiten Handschuhe tragen.

Tragen Sie bei Inspektionen oder Wartungsarbeiten immer eine Schutzbrille oder Sicherheitsbrille mit seitlichen Abdeckungen.

*Hinweis: Verwenden Sie kein Benzin, Benzol, Verdünner, Alkohol oder ähnliches, um den Rasenmäher zu reinigen. Andernfalls kann es zu Verfärbungen, Verformungen oder Rissen am Werkzeug kommen.*

Um die Sicherheit und Zuverlässigkeit des Produkts zu gewährleisten, müssen Reparaturen, sonstige Wartungen oder Einstellungen von einem von WARRIOR ECO autorisierten oder Werks-Servicecenter durchgeführt werden. Verwenden Sie immer Ersatzteile von Warrior ECO..

1. Entfernen Sie den Sicherheitsschlüssel und den Akku und schließen Sie die Akkuabdeckung.
2. Drehen Sie den Rasenmäher zur Seite, entfernen Sie den Grasschnitt, der sich im Prallblech des Rasenmähers angesammelt hat.
3. Mit einem Messer zum Boden des Rasenmähers spülen.

#### ! CAUTION

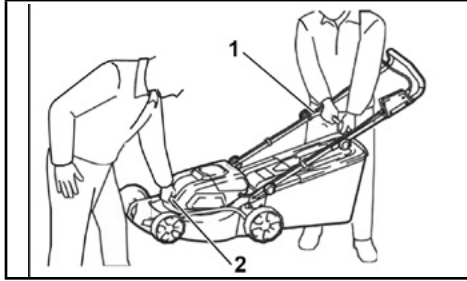
Nicht mit Hochdruckreiniger waschen.

4. Prüfen und vergewissern Sie sich, dass alle Muttern, Bolzen, Knöpfe, Schrauben und Befestigungselemente gut befestigt sind.
5. überprüfen Sie die beweglichen Teile auf Beschädigung, Bruch und Verschleiß. Beschädigte oder verlorene Teile sollten repariert oder ersetzt werden.

6. Bewahren Sie den Rasenmäher an einem sicheren Ort auf, der für Kinder nicht zugänglich ist.

## Transport

Halten Sie beim Tragen des Rasenmähers den vorderen Griff und den unteren Griff von zwei Personen, wie in der Abbildung gezeigt.

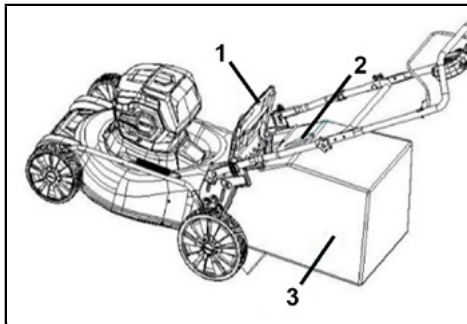


1. Unterer Griff 2. Vorderer Griff

## Lager

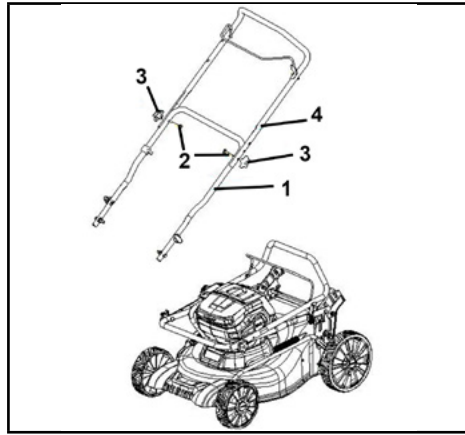
Lagern Sie den Rasenmäher an einem kühlen, trockenen und verschlossenen Ort. Bewahren Sie den Rasenmäher und das Ladegerät nicht an Orten auf, an denen die Temperatur 40°C (104°F) erreichen oder überschreiten kann.

1. Öffnen Sie die hintere Abdeckung und halten Sie den Griff fest, um den Grasfänger zu entfernen.



1. Rückwand 2. Handgriff 3. Grasfänger

2. Lösen Sie die Mutter und klappen Sie den oberen Griff um



1. Unterer Griff 2. Sattelschraube 3. Pflaumenblütenmutter 4. oberer Griff

## Zerlegen oder Montage des Schneidmessers

### ! WARNUNG

Wenn Sie eine Klinge montieren oder demontieren, entfernen Sie zuerst den Sicherheitsschlüssel und den Akku. Wenn der Sicherheitsschlüssel und der Akku nicht entfernt werden, kann es zu schweren Verletzungen kommen.

Das Messer dreht sich noch einige Sekunden, nachdem der Schalter losgelassen wurde. Tun Sie nie etwas, bevor es vollständig aufgehört hat.

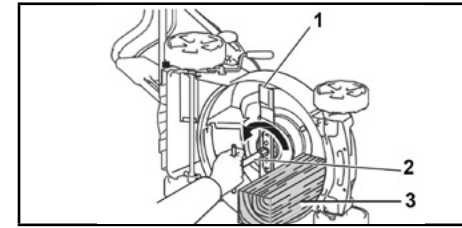
Tragen Sie beim Umgang mit der Klinge immer Handschuhe

### So demontieren Sie das Schneidmesser des Rasenmähers

1. Drehen Sie den Rasenmäher zur Seite, so dass sich der Griff zur Schnitthöhenverstellung oben befindet.
2. Führen Sie einen Holzblock oder ähnliches in den Rasenmäher ein, um das Messer zu arretieren
3. Drehen Sie die Schraube mit einem Schraubenschlüssel gegen den Uhrzeigersinn

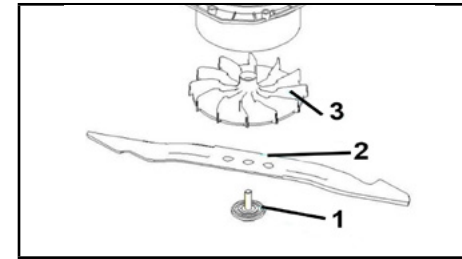
## Reinigung

1. Wischen Sie die Außenseite des Rasenmähers mit einem trockenen, weichen Tuch ab. Nicht abspritzen oder mit Wasser waschen.
2. Kratzen Sie den Schutz ab, um getrocknetes Schnittgut und Schlamm zu entfernen.
3. Bürsten oder blasen Sie Staub, Schmutz und Grasschnitt aus den Lüftungsschlitzen. Halten Sie sie frei von Hindernissen.



1. Cutting blade 2. Wrench 3. Block of wood

4. Entfernen Sie nacheinander die Blattschraube, das 19-Zoll-Blatt und das Windblatt.



1. Klingenschraube 2. 19-Zoll-Klinge 3. Windblatt

### So montieren Sie das Schneidmesser des Rasenmähers

Um das Schneidmesser zu montieren, gehen Sie wie beim Zerlegen in umgekehrter Reihenfolge vor

### ! WARNUNG

Seien Sie bei der Montage der Klinge vorsichtig. Stellen Sie sicher, dass sie die richtige obere/untere Ausrichtung hat. Achten Sie bei der Montage des Messers darauf, dass der Pfeil in Drehrichtung nach außen zeigt.

Ziehen Sie die Schrauben im Uhrzeigersinn fest, um die Klinge zu sichern.

Stellen Sie sicher, dass die Klinge und alle Befestigungselemente richtig montiert und sicher befestigt sind.

Befolgen Sie beim Austauschen der Klinge immer die Anweisungen in dieser Anleitung.

# BAKKULADEGERÄT

SPEZIFIKATIONEN

Ladegerät: : C8360/C8362

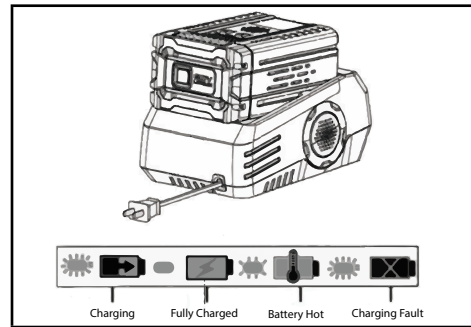
Eingang: 120-240VAC, 50/60Hz, Max.3A

Ausgang: 63VDC. Max.4.5A

Gewicht: 2.6 lbs (1.2kg)

LADEVORGANG

**HINWEIS:** Der Akku wird nicht vollständig geladen geliefert. Es wird empfohlen, vor dem ersten Gebrauch vollständig aufzuladen, um sicherzustellen, dass die maximale Laufzeit erreicht werden kann. Dieser Lithium-Ionen-Akku entwickelt keinen Speicher und kann jederzeit aufgeladen werden.



LED STATUS	BESCHREIBUNG
Grün blinkend	Ladevorgang
Permanent grün	Vollständig aufgeladen
Permanent rot	Standby
Rot blinkend (schnell)	Fehler beim Laden
Rot blinkend (langsam)	Akkupack oder Übertemperatur

**Niederspannungsladung:**

Wenn der Akku über einen längeren Zeitraum mit wenig bis gar keiner Ladung aufbewahrt wurde, wechselt das Ladegerät in den Wiederherstellungsmodus, wodurch es länger dauert, bis der Akku vollständig aufgeladen ist. Dies verlängert die Lebensdauer des Akkus. Sobald es vollständig aufgeladen ist, wird die nächste Ladung wieder standardmäßig durchgeführt.

Ein vollständig entladener Akku benötigt die im Akkuhandbuch angegebene Zeit. Stecken Sie das Ladegerät in eine Steckdose.

Legen Sie den Akku in das Ladegerät ein.

Dies ist ein Diagnoseladegerät. Die LED-Leuchten des Ladegeräts leuchten in einer bestimmten Reihenfolge, um den aktuellen Akkustatus zu melden.

**Falscher Fehlerhinweis:**

Wenn der Akku in das Ladegerät eingesetzt ist und die Status-LED ROT blinkt, nehmen Sie den Akku für 1 Minute aus dem Ladegerät und setzen Sie ihn dann wieder ein. Wenn die Status-LED GRÜN blinkt, wird der Akku ordnungsgemäß geladen. Wenn die Status-LED immer noch ROT blinkt, entfernen Sie den Akku und ziehen Sie das Ladegerät 1 Minute lang aus dem Stromnetz. Schließen Sie das Ladegerät nach 1 Minute an und setzen Sie den Akku wieder ein. Wenn die Status-LED GRÜN blinkt, wird der Akku ordnungsgemäß geladen. Wenn die Status-LED immer noch ROT blinkt, ist der Akku defekt und muss ausgetauscht werden.

**ÜBERPRÜFEN DER LADUNG**

Wenn der Akku nicht richtig geladen wird:

Prüfen Sie den Strom an der Steckdose mit einem anderen Werkzeug. Stellen Sie sicher, dass die Steckdose nicht ausgeschaltet ist.

Vergewissern Sie sich, dass die Kontakte des Ladegeräts nicht durch Schmutz oder Fremdkörper kurzgeschlossen wurden.

Bringen Sie das Ladegerät und den Akku an einen Ort mit Raumtemperatur, wenn die Lufttemperatur über 104 °F oder unter 45 °F liegt.

**! WARNUNG**

Wenn der Akku warm oder heiß in das Ladegerät eingesetzt wird, ändert sich möglicherweise die LED-Ladeanzeige am Ladegerät und leuchtet ROT auf. Lassen Sie den Akku in diesem Fall bis zu 30 Minuten im Ladegerät abkühlen. Der Ladevorgang sollte automatisch beginnen, sobald der Akku abgekühlt ist.

**LADEGERÄT-MONTAGE**

This charger can be installed hanging on a wall using two #8 screws (not included).

1. Dieses Ladegerät kann mit zwei Schrauben Gr. 8 (nicht im Lieferumfang enthalten) an der Wand hängend montiert werden.

2. Suchen Sie die Stelle, an der das Ladegerät an der Wand montiert werden soll.
3. Verwenden Sie bei Befestigung an Holzbeschlägen 2 Holzschrauben (nicht im Lieferumfang enthalten).
4. Bohren Sie zwei Löcher in der Mitte 5,5 Zoll auseinander und stellen Sie sicher, dass sie vertikal ausgerichtet sind.
5. Verwenden Sie zur Befestigung an Trockenbauwänden Wanddübel (nicht im Lieferumfang enthalten) und Schrauben, um das Ladegerät an der Wand zu befestigen.

**Hinweis:** Ziehen Sie den Akku aus dem Ladegerät und ziehen Sie den Netzstecker heraus, wenn der Akku und das Ladegerät für längere Zeit nicht verwendet werden.

# UMWELTSICHERE AKKUENTSORGUNG

**! WARNUNG**

Die folgenden giftigen und ätzenden Materialien befinden sich in den in diesem Gebläse verwendeten Akkus Akkupack: Lithium-Ion, ein giftiges Material.

**! WARNUNG**

Alle giftigen Materialien müssen in einer bestimmten Weise entsorgt werden, um eine Kontamination der Umwelt zu verhindern. Wenden Sie sich vor der Entsorgung beschädigter oder abgenutzter Lithium-Ionen-Akkupacks an Ihre örtliche Entsorgungsbehörde oder an die örtliche Umweltschutzbehörde, um Informationen und spezifische Anweisungen zu erhalten. Bringen Sie die Akkus zu einem örtlichen Recycling- und/oder Entsorgungszentrum, das für die Lithium-Ionenentsorgung zertifiziert

**! WARNUNG**

Wenn das Akkupack Risse bekommt oder mit oder ohne Lecks bricht, so laden Sie es nicht wieder auf und verwenden Sie sie nicht mehr. Entsorgen Sie es und ersetzen Sie es durch ein neues Akkupack.

**VERSUCHEN SIE NICHT, ES ZU REPARIEREN!**

Um Verletzungen und Feuer-, Explosions- oder Stromschlaggefahr sowie Umweltschäden zu vermeiden:

- Decken Sie die Akkuklemmen mit strapazierfähigem Klebeband ab

Versuchen Sie NICHT, die Komponenten des Akkupacks zu entfernen oder zu zerstören.

Versuchen Sie NICHT, das Akkupack zu öffnen.

Wenn ein Leck entsteht, sind die freigesetzten Elektrolyte ätzend und giftig. Lassen Sie die Lösung NICHT in die Augen oder auf die Haut gelangen und schlucken Sie sie nicht.

Legen Sie diese Akkus NICHT in Ihren normalen Haushaltsmüll.

NICHT verbrennen.

Stellen Sie sie NICHT dort auf, wo sie Teil einer Mülldeponie oder eines städtischen Abfallstroms werden.

Bringen Sie sie zu einem zertifizierten Recycling- oder Entsorgungszentrum.

DE

## FEHLERBEHEBUNG

Problem	Mögliche Ursachen (Ausfälle)	Fehlerbehebung
Der Motor läuft nicht.	Das Antriebssystem funktioniert nicht richtig.	Fordern Sie das örtlich autorisierte Wartungs-Service-Center an, um die Wartung durchzuführen.
	Akkuausfall (Unterspannung)	Laden Sie das Akkupack. Wenn der Ladevorgang nicht gültig ist, ersetzen Sie das Akkupack.
	Sicherheitsschlüssel nicht eingesteckt	Stecken Sie den Sicherheitsschlüssel ein
Der Motor läuft nach einer Nutzungsdauer nicht.	Niedrige Akkuleistung	Laden Sie das Akkupack. Wenn der Ladevorgang nicht gültig ist, ersetzen Sie das Akkupack.
	Die Schritthöhe ist zu niedrig.	Erhöhen Sie die Höhe.
Der Motor erreicht nicht die Höchstgeschwindigkeit	Der Akku ist nicht richtig eingelegt.	Legen Sie das Akkupack wie in dieser Anleitung beschrieben ein.
	Niedrige Akkuleistung	Laden Sie das Akkupack. Wenn der Ladevorgang nicht gültig ist, ersetzen Sie das Akkupack.
	Das Antriebssystem funktioniert nicht richtig.	Fordern Sie das örtlich autorisierte Wartungs-Service-Center an, um die Wartung durchzuführen.
Die Klinge dreht sich nicht: Rasenmäher sofort ausschalten!	Klinge wurde durch Fremdkörper (wie Zweige oder Gras) blockiert	Fremdkörper entfernen.
	Das Antriebssystem funktioniert nicht richtig.	Fordern Sie das örtlich autorisierte Wartungs-Service-Center an, um die Wartung durchzuführen.
Ungewöhnliche Vibrationen: Rasenmäher sofort ausschalten!!	Klinge ist unausgeglichen, übermäßig oder ungleichmäßig verschlissen.	Klinge ersetzen
	Übermäßige Ansammlung von Grasresten auf dem Messer oder teilweises Verhaken des Messers	Grasreste entfernen
LED-Anzeige des Werkzeugs blinkt 1-19 mal, Motor startet nicht	Störung der Motorsteuerung oder Übertemperatur oder schwacher Akku oder Überlast usw.	<ol style="list-style-type: none"> <li>1. Lassen Sie den Auslöser los und starten Sie das Gerät nach 3-5 Sekunden neu; oder</li> <li>2. Stoppen Sie den Betrieb und kühlen Sie das Werkzeug oder laden Sie den Akku auf, oder</li> <li>3. 3. Reinigen Sie das Mähwerk und die Klinge, um Grasreste und Fremdkörper zu entfernen</li> </ol>

## RÜCKGABERECHT

Wir bieten eine 30-tägige Geld-zurück-Garantie für alle Waren, die korrekt versandt wurden und nicht benötigt werden. Der Käufer ist für die Rücksende porto- und verpackungskosten verantwortlich und alle ursprünglichen Versandkosten sind nicht erstattungsfähig. Die Ware sollte in einem für den Weiterverkauf geeigneten Zustand und nach Möglichkeit in der Originalverpackung zurückgegeben werden.

Waren, die speziell für eine Bestellung hergestellt und korrekt versandt werden, können nicht zurückgegeben werden.

Wenn der falsche Artikel erhalten wird, liegt es in der Verantwortung des Käufers, uns innerhalb von 7 Tagen nach Erhalt schriftlich zu benachrichtigen. Es werden dann Vorkehrungen getroffen, damit der fehlerhafte Artikel abgeholt und ein Ersatzartikel versandt wird.

### Garantie

Garantie-Qualifikationen

Wir bei Warrior verstehen die Bedeutung der Garantie für Service und Reparatur, wir bieten eine Standardgarantie von 3 Jahren (nur Werkzeuge) und 1 Jahr (nur Akku) an, ohne dass Sie Ihren Kauf registrieren müssen.

Bitte beachten Sie die folgenden Einschränkungen und lesen Sie die vollständigen AGB über die Garantie, die für ein bestimmtes Produkt angeboten wird.

Alles, was wir benötigen, ist entweder eine Kopie des Original-Kaufbelegs oder eine Rechnung, die zum Zeitpunkt des Kaufs vom Händler geliefert wird, um die Geltendmachung des Anspruchs zu ermöglichen. Bitte bewahren Sie Ihren Kaufbeleg für die Dauer Ihrer Laufzeit sicher auf, in dem unglücklichen Fall, dass Sie unsere technische Unterstützung benötigen, werden wir darum bitten, dass dies bei jedem Anspruch zur Verfügung gestellt wird, KEIN Kaufbeleg, ein Garantieanspruch wird verzögert oder abgelehnt.

Die Transportkosten für Produkte oder Teile, die im Rahmen dieser Garantie zur Reparatur oder zum Austausch eingereicht werden, liegen in der alleinigen Verantwortung des Käufers. Diese Garantie gilt nur für den Erstkäufer und ist nicht übertragbar.

Geben Sie das Gerät nicht an den Ort des Kaufs zurück

Wenden Sie sich an den technischen Support und wir werden jedes Problem per Telefon oder E-Mail beheben. Wenn das Problem oder Problem auf diese Weise nicht gelöst wird, werden wir nach eigenem Ermessen eine Bewertung, Reparatur oder den Austausch des defekten Produkts, Teils oder der Komponente in unserer eigenen Service-Center-Werkstatt genehmigen. Wann und wehm ein Produkt ersetzt werden muss, wird es in den meisten Fällen auf einer Like-for-Like-Basis sein, nicht alt für neu. Wir stellen Ihnen eine Fallnummer für den Garantieservice zur Verfügung, die über Ihr Login-Konto überwacht werden kann. Bitte bewahren Sie es für zukünftige Referenz auf. Reparaturen oder Ersatzlieferungen ohne vorherige Genehmigung oder in einer nicht autorisierten Reparaturwerkstatt fallen nicht unter diese Garantie. Wir haben Garantieausschlüsse für Kunden außerhalb des Vereinigten Königreichs, bitte beachten Sie unsere vollständigen AGB.

Garantieausschlüsse

DIESE GARANTIE DECKT FOLGENDES NICHT AB:

### NORMALE ABNUTZUNG

Ihr Produkt benötigt regelmäßige Teile und Service, um eine gute Leistung zu erbringen. Diese Garantie deckt keine Reparatur ab, wenn der normale Gebrauch die Lebensdauer eines Teils oder des Geräts als Ganzes erschöpft hat.

### INSTALLATION, NUTZUNG UND WARTUNG

Diese Garantie erlischt und (oder) gilt nicht für Teile oder Arbeit, wenn Davon ausgegangen wird, dass Ihr Produkt missbraucht, vernachlässigt, in einen Unfall verwickelt, missbraucht, über die Grenzen hinaus überlastet, modifiziert, unsachgemäß installiert oder falsch an eine elektrische Komponente oder ein System zum Aufladen der Batterie angeschlossen wurde. Die Wartung während des normalen Zeitraums ist nicht durch diese Garantie abgedeckt.

Sonstige Ausschlüsse

Diese Garantie schließt Ausschlüsse:

kosmetische Defekte wie Farbe, Aufkleber oder Zubehörwerkzeuge

Ersatzteile einschließlich Klingen, Schnur, Ketten, Stangen oder Taschen

alle elektrischen Komponenten mit Ausnahme der Hauptsteuerinheit wie Sicherungen, Anschlüsse, Zifferblätter, Knöpfe oder Hebel.

Ausfälle aufgrund höherer Gewalt und andere Ereignisse höherer Gewalt, die außerhalb der Kontrolle des Herstellers liegen

Probleme, die durch Teile verursacht werden, die nicht original sind

Änderung oder Modifikation(en), die von einer anderen Partei als dem Hersteller vorgenommen wurde(n)

elektrische Geräte von Drittanbietern

Alle Batterien werden über 1 Jahr alt geliefert.

Grenzen der stillschweigenden Gewährleistung und Folgeschäden

BPE Holdings (Warrior Eco Power Equipment) lehnt jede Verpflichtung ab, Zeitverluste, die Nutzung dieses Produkts, Fracht oder neben- oder Folgekosten durch Personen, die dieses Produkt verwenden, zu decken.

DIESE GARANTIE TRIT AN DIE STELLE ALLER ANDEREN AUSDRÜCKLICHEN ODER STILLSCHWEIGENDEN GEWÄHRLEISTUNGEN, EINSCHLIEßLICH GARANTIEEN DER MARKTGÄNGIGKEIT ODER EIGNUNG FÜR EINEN BESTIMMTEN ZWECK.

Eine Einheit, die als Austausch zur Verfügung gestellt wird, unterliegt der Garantie des Originalgeräts. Die Garantiedauer für das ausgetauschte Gerät wird weiterhin unter Bezugnahme auf das Kaufdatum des Originalgeräts berechnet. Diese Garantie gibt Ihnen bestimmte gesetzliche Rechte, die sich von Land zu Land ändern können. Ihr Land kann auch andere Rechte haben, die Ihnen möglicherweise zustehen, die nicht in dieser Garantie aufgeführt sind.



## TONDEUSE À GAZON SANS FIL AU LITHIUMION

### DONNÉES TECHNIQUES

TONDEUSE À GAZON SANS FIL	
Type	Fonctionnement sans fil sur batterie
Fonction automotrice	Oui
Hauteur de coupe	25 à 95 mm
Largeur de coupe (diamètre de la lame)	490 mm
Ralenti	2,800/min
Vitesse max.	3,200/min
Dimensions (Longueur x Largeur x Hauteur) Pendant le fonctionnement	Longueur : 1 390 mm à 1 650 mm Largeur : 570 mm Hauteur : 850 mm à 1 130 mm
Dimensions (Longueur x Largeur x Hauteur) Rangement (sans récupérateur d'herbe)	Longueur : 868 mm Largeur : 570 mm Hauteur : 550 mm
Tension nominale	60 VDC
Poids net	24.6 Kg (M8243) 26.7 Kg (M8242)
Degré de protection	IPX4
Réglage de la hauteur de coupe	6 niveaux

FR

- Le fabricant se réserve le droit de modifier les caractéristiques sans préavis.
- Les caractéristiques de la machine et des batteries peuvent varier d'un pays à l'autre
- Le poids varie en fonction des accessoires (y compris la batterie). Selon la procédure EPTA 01/2014, la combinaison la plus importante et la plus légère est répertoriée dans le tableau.
- Batterie approuvée : BP8302-2 500 mAh / 4 000 mAh/5 000 mAh

Lisez attentivement toutes les règles et instructions de sécurité avant d'utiliser cet outil.



## RÈGLES GÉNÉRALES DE SÉCURITÉ

### ⚠️ AVERTISSEMENT

#### LISEZ ET COMPRENEZ TOUTES LES INSTRUCTIONS.

Le non-respect de toutes les instructions énumérées ci-dessous peut entraîner un choc électrique, un incendie et/ou des blessures graves.

Conservez tous les avertissements et instructions pour référence future. Le terme « outil électrique » dans tous les avertissements répertoriés ci-dessous fait référence à votre outil électrique fonctionnant sur batterie (sans fil).

#### Utilisation prévue

La tondeuse à gazon alimentée par batterie est destinée uniquement à couper l'herbe dans les jardins privés. Elle n'a pas été conçue pour une utilisation commerciale continue. La garantie expire lors d'un usage commercial.

Toute autre utilisation non expressément autorisée dans ce manuel peut endommager la tondeuse et présenter un grave danger pour l'utilisateur. La tondeuse est destinée à être utilisée par un adulte. Les enfants et les personnes qui ne connaissent pas le contenu de ce manuel ne sont pas autorisés à l'utiliser. Il est interdit d'utiliser la tondeuse sous la pluie ou dans un environnement humide. Le fabricant n'est pas responsable des dommages causés par une mauvaise utilisation ou un fonctionnement incorrect.

#### Risques résiduels

Même si vous utilisez correctement cet outil électrique, des risques résiduels subsistent toujours. Les dangers suivants peuvent survenir lors de la conception et de la construction de cet outil électrique :

- Dégâts de coupe.
- Dommages auditifs si aucune protection auditive appropriée n'est portée.
- Dommages à la santé résultant de vibrations main-bras si l'appareil est utilisé pendant une période prolongée ou s'il n'est pas correctement géré et entretenu.

#### Émissions sonores

Niveau sonore type pondéré A (mesuré selon la norme EN 60335-2-77) :

Désignation de type : M8242/M8243

Niveau de pression acoustique (LpA) : 79 dB (A)

Niveau de puissance acoustique (LWA) : 91 dB (A)

Incertitude de mesure (K) : 3,4 dB (A)

Le niveau de bruit pendant le fonctionnement peut être de 80 dB (A).

*Remarque: la valeur d'émission sonore déclarée est déterminée selon des méthodes d'essai standard et peut être utilisée pour comparer les outils.*

*Remarque : la valeur d'émission sonore déclarée peut également être utilisée pour une évaluation préliminaire des performances de l'outil.*

### ⚠️ AVERTISSEMENT

Portez une protection auditive.

### ⚠️ AVERTISSEMENT

La valeur d'émission sonore peut être différente lors de l'utilisation réelle de l'outil électrique par rapport à la valeur déclarée, en fonction de l'utilisation de l'outil, en particulier du type de pièce traitée.

### ⚠️ AVERTISSEMENT

Assurez-vous de prendre des préATTENTIONs de sécurité pour protéger l'opérateur en fonction des conditions de fonctionnement réelles prévues. Tous les aspects du cycle de fonctionnement doivent être pris en compte (comme le temps d'arrêt, le temps d'inactivité et le temps de démarrage).

#### Vibrations

Valeur d'émission de vibrations (somme vectorielle à trois axes) (mesurée selon la norme EN 60335-2-77) :

Désignation de type : M8242/M8243

Vibrations (ah) : 5 m/s<sup>2</sup>

Incertitude de mesure (K) : 1,5 m/s<sup>2</sup>

#### Consignes de sécurité pour la tondeuse à gazon

Conservez tous les avertissements et instructions de sécurité pour référence future.

- Insérez la clé de sécurité dans la tondeuse à gazon lorsque vous êtes prêt à l'utiliser.

- Faites attention aux enfants. Ne laissez pas les enfants jouer avec la tondeuse à gazon.
- Ne laissez jamais des enfants ou des personnes non familiarisées avec ces instructions utiliser la machine. Les réglementations locales peuvent restreindre l'âge de l'opérateur.
- N'utilisez jamais la machine lorsque des personnes, en particulier des enfants ou des animaux domestiques, se trouvent à proximité.
- Gardez à l'esprit que l'opérateur ou l'utilisateur est responsable des accidents ou des dangers survenant à d'autres personnes ou à leurs biens.
- Lors de l'utilisation de la machine, portez toujours des chaussures solides et un pantalon long. N'utilisez pas la machine pieds nus ou en sandales ouvertes. Évitez de porter des vêtements amples ou avec des cordons ou des liens qui pendent. Ils peuvent se coincer dans les pièces mobiles.
- Portez toujours des lunettes de sécurité lorsque vous utilisez l'outil pour éviter les blessures aux yeux. Les lunettes doivent être conformes à la norme américaine ANSI Z87.1, européenne EN 166 ou australienne/néo-zélandaise AS/NZS 1336. En Australie/Nouvelle-Zélande, la loi exige un masque pour protéger le visage.



Les employeurs doivent superviser l'opérateur des outils et les autres travailleurs dans la zone de travail pour qu'ils portent l'équipement de sécurité approprié.

- N'utilisez la machine qu'à la lumière du jour ou sous une bonne lumière artificielle.
- Évitez d'utiliser la machine dans de l'herbe mouillée.
- Utilisation et entretien d'un outil électrique à batterie

- Utilisez uniquement le chargeur spécifié par le fabricant pour la charge. L'utilisation d'un autre chargeur peut provoquer un incendie.
- Les outils électriques ne peuvent utiliser qu'une batterie spécifiquement conçue pour. D'autres types de batteries peuvent provoquer des blessures ou un incendie.
- Lorsque vous n'utilisez pas la batterie, éloignez-la des trombones, pièces de monnaie, clés, clous, vis ou autres petits objets métalliques. Ces objets peuvent court-circuiter les bornes de la batterie. Un court-circuit dans la batterie peut provoquer des brûlures ou un incendie.
- Une utilisation excessive peut provoquer une fuite de liquide de la batterie. Évitez le contact avec le liquide. Si vous entrez accidentellement en contact avec le liquide de la batterie, rincez-le à l'eau. Si le liquide touche l'œil, consultez un médecin. Une fuite de batterie peut entraîner une inflammation allergique ou des brûlures.
- Ne jetez pas la batterie au feu. Il est possible que la batterie explose. Pour des instructions de manipulation spécifiques, reportez-vous aux réglementations locales.
- N'ouvrez pas et ne démontez pas la batterie. L'électrolyte renversé est corrosif et peut endommager les yeux ou la peau. L'ingestion présente un risque d'empoisonnement.
- Ne chargez pas l'appareil sous la pluie ou dans un endroit humide.

- Tenez fermement la poignée.
- Assurez-vous de vous tenir incliné.
- Marchez, ne courez jamais.
- Lorsque vous déplacez ou tenez la tondeuse, ne touchez pas la lame exposée ou les bords coupants.
- Condition physique - N'utilisez pas la tondeuse à gazon lorsque vous êtes fatigué ou sous l'influence de drogues, d'alcool ou de médicaments.
- Les mains et les pieds doivent rester éloignés des lames rotatives. Remarque : la lame tourne toujours après l'arrêt du moteur de la tondeuse à gazon.

17. Utilisez uniquement les lames d'origine spécifiées dans ce manuel.
18. Avant utilisation, inspectez toujours visuellement pour vous assurer que la lame, le boulon de lame et l'assemblage de lame ne sont pas usés ou endommagés. Remplacez les composants usés ou endommagés dans les ensembles pour préserver l'équilibre. Remplacez les étiquettes endommagées ou illisibles.
19. Assurez-vous que personne d'autre ne se trouve dans la zone de travail avant d'utiliser la tondeuse à gazon. Lorsque quelqu'un pénètre dans la zone de travail, arrêtez la tondeuse à gazon.
20. Avant d'utiliser la tondeuse à gazon, retirez les corps étrangers tels que les pierres, les fils, les bouteilles, les os et les grosses branches dans la zone d'utilisation pour éviter de vous blesser ou d'endommager la tondeuse à gazon.
21. Si vous constatez des anomalies, arrêtez immédiatement d'utiliser la tondeuse à gazon. Éteignez-la et retirez la clé de sécurité. Ensuite, vérifiez la tondeuse à gazon.
22. Si la tondeuse à gazon comporte la fonction de réglage de la hauteur de coupe, ne réglez pas la hauteur de coupe pendant que la tondeuse à gazon est en marche.
23. Avant de traverser l'allée, le trottoir, la route ou toute route recouverte de gravier, relâchez le levier de l'interrupteur et attendez que la lame s'arrête de tourner. Assurez-vous de retirer la clé de sécurité lorsque vous positionnez une tondeuse à gazon, que vous ramassez des corps étrangers sur le chemin de tonte ou dans tous les cas qui pourraient distraire votre attention.
24. Des blessures graves peuvent être causées si la lame de coupe heurte un objet étranger. Inspectez soigneusement la zone de travail et retirez tous les débris avant chaque utilisation.
25. Lorsque la tondeuse à gazon heurte un corps étranger, effectuez les étapes suivantes :
  - 25a. Arrêtez le moteur, relâchez l'interrupteur et attendez que la lame s'arrête complètement.
  - 25b. Retirez la clé de sécurité et retirez la batterie.
  - 25c. Vérifiez soigneusement que la tondeuse à gazon n'est pas endommagée.
  - 25d. Si la lame est endommagée, remplacez-la. Réparez tout dommage avant de redémarrer et de continuer à l'utiliser.
26. Vérifiez régulièrement l'usure ou la perte de fonctionnalité du récupérateur d'herbe. Videz le récupérateur d'herbe pendant le stockage. Pour des raisons de sécurité, remplacez le sac à herbe usé par un nouveau sac à herbe d'origine.
27. Soyez extrêmement prudent lorsque vous reculez ou tirez la machine vers vous.
28. Arrêtez la (les) lame(s) si la machine doit être inclinée pour le transport lors de la traversée de surfaces autres que l'herbe et lors du transport de la machine vers et depuis la zone à utiliser.
29. N'utilisez jamais la machine avec des protections ou des écrans défectueux, ou sans dispositifs de sécurité, par exemple des déflecteurs et/ou un récupérateur d'herbe, en place.
30. Allumez la tondeuse à gazon avec préATTENTION conformément au manuel d'instructions. Gardez vos pieds éloignés de la lame de coupe.
31. N'inclinez pas la machine lors de la mise en marche du moteur, sauf si la machine doit être inclinée pour le démarrage. Dans ce cas, ne l'inclinez pas plus qu'il n'est absolument nécessaire et ne soulevez que la partie éloignée de l'opérateur.
32. Ne démarrez pas la machine lorsque vous vous tenez devant l'orifice de décharge.
33. Ne placez pas les mains ou les pieds à proximité ou sous les pièces en rotation. Restez à l'écart de l'ouverture de décharge à tout moment.
34. Ne transportez pas la machine lorsque la source d'alimentation est en marche.
35. Arrêtez la machine et retirez le dispositif de désactivation. Assurez-vous que toutes les pièces mobiles sont complètement arrêtées :
  - 35a. chaque fois que vous quittez la machine ;
  - 35b. avant de dégager les blocages ou de déboucher la goulotte ;
  - 35c. avant de vérifier, nettoyer ou travailler sur la machine ;
  - 35d. après avoir heurté un objet étranger. Vérifiez que la machine n'est pas endommagée et effectuez les réparations avant de redémarrer et d'utiliser la machine.

36. Si la machine se met à vibrer anormalement (vérifiez immédiatement) :
  - 36a. inspectez les dommages ;
  - 36b. remplacez ou réparez toute pièce endommagée ;
  - 36c. vérifiez et serrez les pièces desserrées.
37. Soyez prudent lors du réglage de la machine pour éviter de vous coincer les doigts entre les lames mobiles et les parties fixes de la machine.
38. Soyez toujours sûr de votre appui sur les pentes. Tondez en travers des pentes, jamais de haut en bas. Soyez extrêmement prudent lorsque vous changez de direction sur des pentes. Ne tondez pas sur des pentes trop raides.
39. Vérifiez toujours les vis de fixation pour vous assurer qu'elles sont bien serrées.
40. Gardez tous les écrous, boulons et vis serrés pour vous assurer que la machine est en bon état de fonctionnement.
41. Laissez toujours la machine refroidir avant de la ranger.
42. Lors de l'entretien des lames, sachez que, même si la source d'alimentation est coupée, les lames peuvent toujours être déplacées.
43. Remplacez les pièces usées ou endommagées pour plus de sécurité. N'utilisez que des pièces de rechange et des accessoires d'origine.
44. N'utilisez pas la tondeuse à gazon pendant les orages.
45. Si vous utilisez la tondeuse à gazon sur un sol boueux, des pentes humides ou des endroits glissants, gardez un appui stable.
46. Évitez de travailler dans des environnements difficiles qui peuvent augmenter la fatigue de l'utilisateur.
47. N'utilisez pas la tondeuse à gazon par mauvais temps avec une visibilité limitée. Cela peut entraîner des chutes ou un mauvais fonctionnement en raison d'une mauvaise visibilité.
48. Ne remplacez pas la batterie sous la pluie.
49. Ne plongez pas la tondeuse à gazon dans une flaque d'eau.
50. Ne laissez pas l'outil sans surveillance à l'extérieur les jours de pluie.
51. N'insérez pas et ne retirez pas la clé de sécurité sous la pluie.
52. Si des feuilles humides ou de la saleté adhèrent aux buses d'aspiration (entrée d'air) à cause de la pluie, retirez-les.
53. Ne lavez pas la tondeuse à gazon avec un nettoyeur haute pression.
54. Lors du nettoyage de la tondeuse à gazon, assurez-vous de retirer la batterie et la clé de sécurité et de fermer le couvercle de la batterie. Rincez ensuite le bas de la tondeuse à gazon à l'endroit où la lame est montée.
55. Lorsque vous rangez la tondeuse à gazon, évitez la lumière directe du soleil et la pluie et rangez-la dans un endroit qui ne devient ni chaud ni humide.
56. Effectuez l'inspection ou l'entretien dans un endroit où il ne pleuvra pas.
57. Après avoir utilisé la tondeuse à gazon, enlevez toute saleté adhérente et séchez soigneusement la tondeuse à gazon avant de la ranger. Selon la saison ou la région, il existe la possibilité d'un dysfonctionnement dû au gel.
58. Ne laissez pas les bornes de la batterie entrer en contact avec des liquides et ne plongez pas la batterie dans l'eau. N'exposez pas la batterie à la pluie et ne chargez, n'utilisez ou ne stockez pas la batterie dans un endroit humide. Si les bornes de la batterie sont humides ou si du liquide pénètre dans la batterie, la batterie peut être court-circuitée, ce qui peut provoquer une surchauffe, un incendie ou une explosion.
59. Assurez-vous d'assembler le couvercle de la batterie sur le boîtier de la batterie après avoir retiré la batterie de la tondeuse à gazon ou du chargeur et rangez-la dans un endroit sec.
60. Ne remplacez pas la batterie avec les mains mouillées.
61. N'utilisez pas l'appareil dans la neige.
62. Si l'herbe coupée est mouillée, elle peut obstruer l'intérieur de la tondeuse à gazon. Vérifiez régulièrement l'état de la tondeuse à gazon et, si nécessaire, enlevez l'herbe adhérente.

**Conservez ce manuel dans un endroit sûr pour référence future.**

**⚠️ AVERTISSEMENT**

Suivez toujours toutes les consignes de sécurité, même si vous êtes suffisamment familiarisé avec l'appareil (expérience par une utilisation répétée).

Une mauvaise utilisation ou le non-respect des consignes de sécurité du manuel peut entraîner des blessures graves.

**Consignes de sécurité pour la batterie**

1. Lisez attentivement toutes les instructions et les symboles de sécurité sur le chargeur (1), la batterie (2) et le dispositif alimenté par batterie (3) avant d'utiliser la batterie.
2. Ne démontez pas la batterie.
3. Si la durée de fonctionnement de la tondeuse à gazon devient trop courte, arrêtez immédiatement le fonctionnement. Sinon, cela peut entraîner une surchauffe, un incendie ou même une explosion.
4. Si l'électrolyte de la batterie pénètre dans vos yeux, rincez-les à l'eau claire et consultez immédiatement un médecin. Sinon, cela peut entraîner une déficience visuelle.
5. Ne court-circuitez pas la batterie :
  - 5a. Ne laissez pas les bornes de la batterie entrer en contact avec un matériau conducteur.
  - 5b. Ne placez pas la batterie dans le même conteneur que d'autres objets métalliques tels que des clous, des pièces de monnaie, etc.
  - 5c. Ne plongez pas la batterie dans l'eau et n'exposez pas la batterie à la pluie.
  - 5d. Un court-circuit dans la batterie crée un courant élevé qui peut provoquer une surchauffe et provoquer un incendie ou même une panne.
6. Ne placez pas l'outil et la batterie dans un endroit où la température peut atteindre ou dépasser 50 °C (122 °F).
7. Ne brûlez pas la batterie, même si elle est sérieusement endommagée ou complètement usée. La batterie explosera dans le feu.
8. Ne cognez pas et ne laissez pas tomber la batterie.
9. N'utilisez pas une batterie endommagée.










10. Les batteries lithium-ion fournies avec cet outil doivent être conformes aux exigences des marchandises dangereuses. Lors du transport commercial, tel qu'un tiers ou un agent de transbordement, des exigences particulières en matière d'emballage et d'étiquetage doivent être respectées. Pour préparer les projets de transport, consultez des professionnels pour les produits dangereux. Faites attention aux lois et réglementations nationales éventuellement plus détaillées. Utilisez du ruban adhésif pour protéger les coordonnées sur la surface et encapsulez fermement la batterie afin que celle-ci ne puisse pas se déplacer dans l'emballage.
11. Suivez les réglementations locales pour l'élimination des batteries usagées.
12. Utilisez uniquement la batterie pour le produit spécifié de WARRIOR ECO. L'insertion de la batterie dans un produit incompatible peut entraîner un incendie, une surchauffe, une explosion ou une fuite d'électrolyte.

**⚠️ AVERTISSEMENT****N'utilisez que des batteries d'origine WARRIOR ECO.**

L'utilisation d'une batterie d'origine autre que WARRIOR ECO ou d'une batterie modifiée peut entraîner un incendie, des blessures corporelles ou des dommages matériels au produit. En même temps, la garantie de l'outil et du chargeur de WARRIOR ECO expire.

**SYMBOLES**

Certains des symboles suivants peuvent être utilisés sur cet appareil. Veuillez vous familiariser avec ces symboles et apprendre leur signification. Une interprétation correcte de ces symboles vous permettra de mieux utiliser l'appareil, en toute sécurité.

SYMBOL	MEANING
	<b>Alerte de sécurité.</b> PréATTENTIONs qui impliquent votre sécurité.
	<b>Lire le manuel de l'opérateur.</b> Pour réduire le risque de blessure, l'utilisateur doit lire et comprendre le manuel d'utilisation avant d'utiliser cet appareil.
	<b>Protection des yeux et de l'ouïe.</b> Portez toujours des lunettes de protection avec des écrans latéraux marqués conformes à la norme ANSI 287.1 ainsi qu'une protection auditive lors de l'utilisation de cet équipement.
	<b>Alerte de conditions humides.</b> N'exposez pas à la pluie ou n'utilisez pas dans des endroits humides.
	<b>Ricochet.</b> Les objets projetés peuvent ricocher et provoquer des blessures ou des dommages matériels.
	<b>Construction de classe II.</b> Construction à double isolation.
	<b>Gants.</b> Portez des gants résistants et antidérapants.
	<b>Avertissement :</b> gardez les mains et les pieds éloignés de la lame rotative. Risque de blessure ! La lame continue de tourner après l'arrêt du moteur.
	<b>Éloigner les passants.</b> Gardez tous les passants à au moins 50 pieds de distance.

FR

Les mots indicateurs et les significations suivants sont destinés à expliquer les niveaux de risque associés à cet appareil.

**⚠️ DANGER**

Indique une situation de danger imminent qui, si elle n'est pas évitée, entraînera des blessures graves ou mortelles.

**⚠️ ATTENTION**

Indique une situation potentiellement dangereuse qui, si elle n'est pas évitée, peut entraîner des blessures légères ou de gravité modérée.

**⚠️ AVERTISSEMENT**

Indique une situation potentiellement dangereuse qui, si elle n'est pas évitée, peut entraîner des blessures graves ou mortelles.

**ATTENTION**

(Sans symbole d'alerte de sécurité) Indique une situation qui peut entraîner des dommages matériels.

# ASSEMBLAGE

## ⚠ AVERTISSEMENT

Avant d'effectuer tout travail de montage sur la tondeuse à gazon, assurez-vous de retirer la clé de sécurité et la batterie. Si la clé de sécurité et la batterie ne sont pas retirées, cela peut provoquer un démarrage inattendu, entraînant des blessures graves.

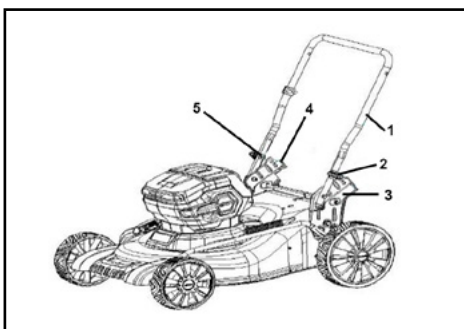
## ⚠ AVERTISSEMENT

La tondeuse à gazon ne peut être démarrée qu'après un montage complet. Un assemblage partiel peut causer des blessures graves en raison d'une activation accidentelle.

### Pour assembler la poignée

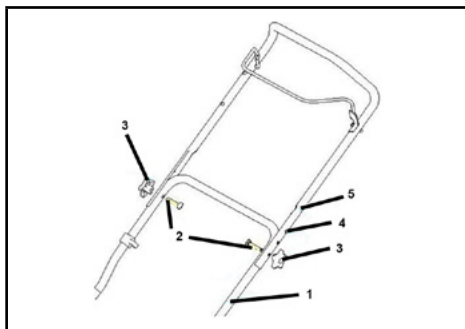
Remarque : lorsque vous assemblez la poignée, ne serrez pas les câbles entre les parties des poignées. Si le câble est cassé, l'interrupteur de la tondeuse à gazon peut ne pas fonctionner.

1. Déployez la poignée inférieure, faites-la pivoter et alignez la colonne du bouton avec l'un des trous sur les plaques latérales gauche et droite. Tournez le couvercle du bouton après l'alignement pour déployer la colonne du bouton afin qu'elle se coince dans le trou des plaques de connexion gauche et droite.



1. Poignée inférieure 2. Couvercle de bouton 3. Plaque de connexion gauche 4. Plaque de raccordement droite 5. Colonne de bouton

2. Alignez les trous dans la poignée inférieure et supérieure, insérez le boulon de l'intérieur et serrez l'écrou en forme d'étoile de l'extérieur.

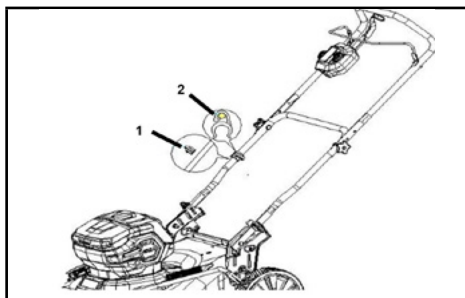


1. Poignée inférieure 2. Boulon d'embase 3. Écrou en forme d'étoile 4. Trou 5. Poignée supérieure

## ⚠ ATTENTION

saisissez la poignée supérieure pour empêcher la tondeuse à gazon de glisser de votre main. Sinon, la poignée pourrait tomber et causer des blessures.

3. Assemblez le serre-câble à la poignée inférieure. Placez les câbles comme indiqué sur la figure.

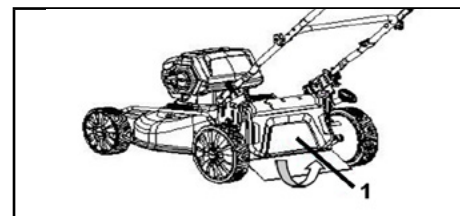


1. Siphon inférieur 2. Serre-câble

Remarque : lors de l'assemblage du serre-câble, assurez-vous de fixer le câble avec le support comme indiqué sur la figure.

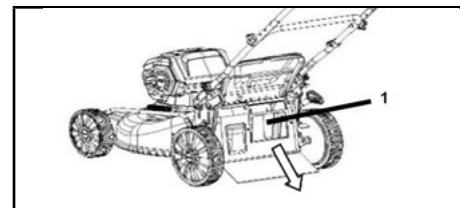
### Pour retirer la cale de broyage

1. Ouvrez le couvercle arrière.



1. Couvercle arrière

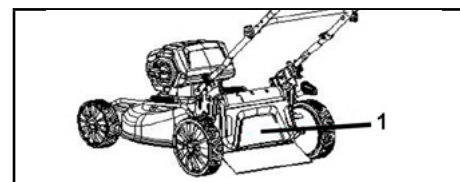
2. Tenez la poignée de la cale de broyage et tirez-la avec un peu de force.



1. Cale de broyage

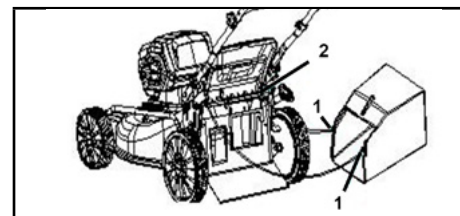
### Pour assembler le récupérateur d'herbe

1. Ouvrez le couvercle arrière.



1. Couvercle arrière

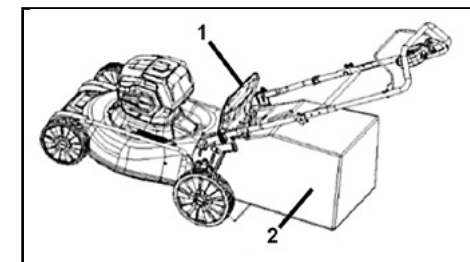
2. Accrochez le crochet du récupérateur d'herbe sur l'arbre du couvercle arrière de la tondeuse à gazon comme indiqué sur la figure.



1. Crochet du récupérateur d'herbe 2. Arbre de couvercle arrière

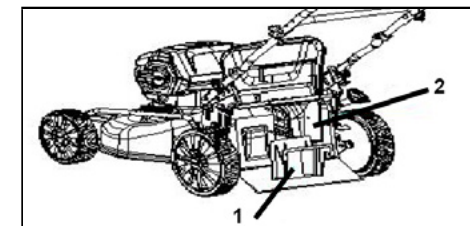
### Pour assembler la cale de broyage:

1. Ouvrez le couvercle arrière et retirez le récupérateur d'herbe.



1. Couvercle arrière 2. Récupérateur d'herbe

2. Tenez la cale de broyage et poussez-la dans le sens indiqué, jusqu'à ce qu'elle s'arrête et que vous entendiez un clic.

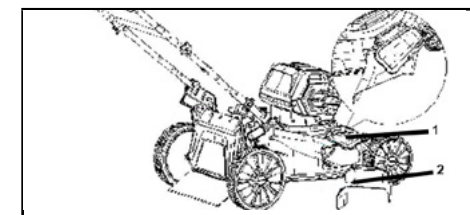


1. Cale de broyage 2. Orifice d'assemblage de la cale de broyage

Remarque : assurez-vous que le couvercle arrière au-dessus du récupérateur d'herbe est orienté vers le bas et serre le support du sac à herbe. Sinon, le récupérateur d'herbe risque de ne pas ramasser l'herbe coupée.

### Pour assembler l'éjection latérale:

1. Ouvrez le couvercle latéral et insérez l'éjection latérale selon la direction indiquée sur le schéma de sorte que l'encoche de l'éjection latérale s'enclenche juste dans le couvercle latéral.



1. Couvercle latéral 2. Éjection latérale

## Pour insérer ou retirer la batterie

### ⚠ ATTENTION

Éteignez toujours la tondeuse avant d'insérer ou de retirer la batterie.

Tenez fermement l'outil et la batterie lorsque vous insérez ou retirez la batterie. Sinon, ils peuvent glisser hors de vos mains. Cela peut endommager les outils et les batteries et même causer des blessures.

Assurez-vous de verrouiller le couvercle de la batterie avant utilisation pour empêcher la saleté, la poussière ou l'eau de pénétrer dans la batterie. Ces éléments peuvent endommager le produit ou la batterie.

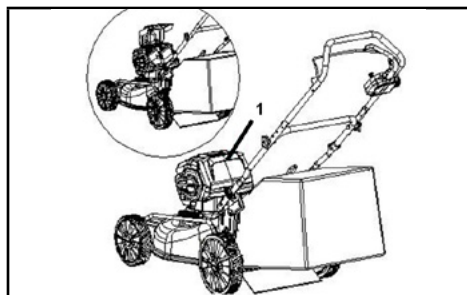
Assurez-vous d'insérer complètement la batterie jusqu'à ce que vous ne puissiez plus voir l'indicateur rouge. Sinon, elle pourrait tomber accidentellement de l'outil et vous blesser ou blesser d'autres personnes.

Ne forcez pas l'insertion de la batterie. Si la batterie est difficile à insérer, elle peut être mal insérée.

Remarque : lorsqu'une seule batterie est insérée, l'outil peut également fonctionner correctement.

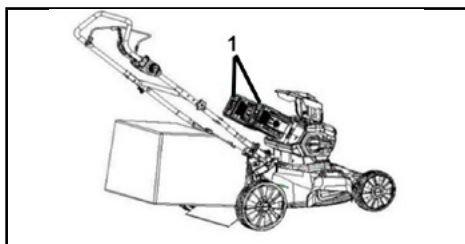
### Pour insérer la batterie :

1. Soulevez le couvercle de la batterie et ouvrez le boîtier de la batterie.



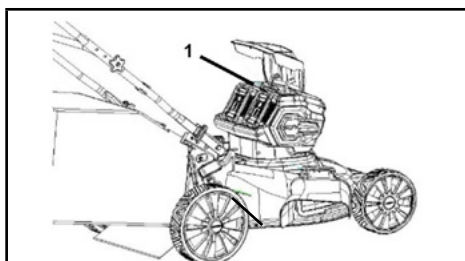
1. Couvercle de la batterie

2. Alignez la fente de la batterie avec les nervures du boîtier de la batterie et faites glisser la batterie jusqu'à ce que la batterie soit verrouillée et que vous entendiez un clic.



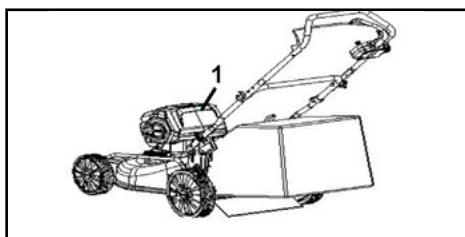
1. Batterie

3. Insérez la clé de sécurité jusqu'au bout dans la position indiquée.



1. Clé de sécurité

4. Fermez le couvercle de la batterie.



1. Couvercle de la batterie

### Pour retirer la batterie de la tondeuse à gazon:

1. Ouvrez le couvercle de la batterie,
2. Appuyez sur le bouton au milieu de la batterie et retirez immédiatement la batterie de l'outil,
3. Retirez la clé de sécurité,
4. Fermez le couvercle de la batterie

### Système de protection outil/batterie

Cette tondeuse à gazon est équipée d'un système de protection outil/batterie. Le système peut

couper automatiquement l'alimentation du moteur pour prolonger la durée de vie de l'outil et des batteries. Lorsque l'outil fonctionne, celui-ci arrête automatiquement de fonctionner si l'outil ou la batterie se trouve dans les situations suivantes.

### Protection contre la surcharge

Lorsque la batterie est utilisée de manière à générer un courant anormalement élevé, la tondeuse à gazon s'arrête automatiquement de fonctionner et le voyant de la batterie clignote en vert. Dans ce cas, éteignez la tondeuse à gazon et arrêtez l'opération qui a causé la surcharge. Allumez ensuite la tondeuse à gazon pour la redémarrer.

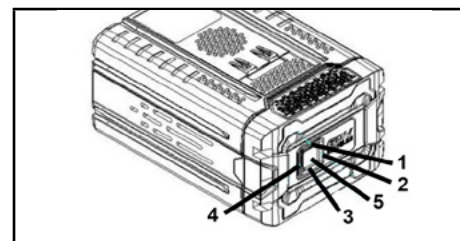
### Protection contre la surchauffe

Lorsque la tondeuse à gazon ou la batterie surchauffe, l'outil s'arrête automatiquement de fonctionner et le voyant de la batterie s'allume en rouge. Dans ce cas, attendez le refroidissement avant d'allumer la tondeuse à gazon.

### Protection contre les décharges

Lorsque la batterie est faible, la tondeuse à gazon s'arrête automatiquement de fonctionner et le voyant d'alimentation principal clignote en rouge. Dans ce cas, retirez la batterie de la tondeuse à gazon et chargez-la ou remplacez-la par une batterie complètement chargée.

### Pour afficher la capacité restante de la batterie



1. LEDs 2. Bouton (Voir)

Appuyez sur le bouton (Voir) de la batterie pour afficher la capacité restante de la batterie. Le voyant s'allumera pendant quelques secondes.

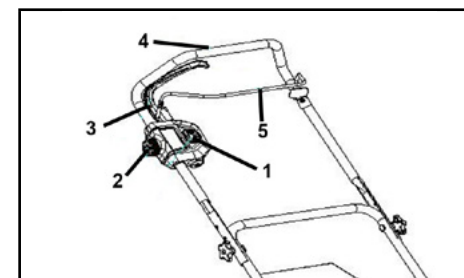
Voyant	État de la batterie
LED1, LED2, LED3, LED4 allumées	75% à 100%
LED1, LED2, LED3 allumées. LED4 non allumée	50% à 75%

LED1, LED2 allumées. LED3, LED4 non allumée	25% à 50%
LED1 allumée. LED2, LED3, LED4 non allumée	0% à 25%
LED1, LED2, LED3, LED4 clignotent en même temps	Batterie faible besoin de charger immédiatement

Remarque : la puissance de la batterie affichée par le voyant peut être légèrement différente de la situation réelle dans différentes conditions de fonctionnement et de température ambiante.

### Panneau de commande

L'interrupteur d'alimentation principal, la gâchette automotrice et l'interrupteur de réglage de la vitesse automotrice se trouvent sur le panneau de commande



1. Bouton de verrouillage 2. Bouton de contrôle de vitesse 3. Gâchette automotrice 4. Poignée supérieure 5. Poignée de frein moteur

## Interrupteur

### ⚠ AVERTISSEMENT

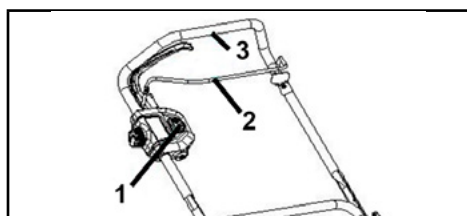
Avant d'insérer la batterie, assurez-vous de vérifier si la poignée du frein moteur peut être tirée librement et revenir à sa position d'origine lorsqu'elle est relâchée. Si l'interrupteur ne fonctionne pas correctement, cela peut entraîner une perte de contrôle de l'outil ou des blessures graves.

Remarque : lorsque le bouton de verrouillage n'est pas enfoncé, la tondeuse ne démarre pas même si la poignée du frein du moteur a été tirée.

Remarque : essayer de couper de l'herbe longue ou trop dense en une seule fois peut empêcher la tondeuse de démarrer en raison de la surcharge. Dans ce cas, augmentez la hauteur de coupe.

La tondeuse est équipée d'un interrupteur de verrouillage et d'un interrupteur de poignée. Si vous remarquez des anomalies dans ces interrupteurs, arrêtez immédiatement le fonctionnement et apportez l'outil au centre de service agréé WARRIOR ECO le plus proche pour inspection.

1. Insérez la batterie et la clé de sécurité et fermez le couvercle de la batterie.
2. Appuyez sur le bouton de verrouillage et relâchez-le.
3. Saisissez la poignée supérieure et tirez sur la poignée du frein moteur.



1. Bouton de verrouillage 2. Poignée de frein moteur 3. Poignée supérieure

4. Une fois que le moteur a commencé à fonctionner, la tondeuse à gazon continuera de fonctionner jusqu'à ce que vous relâchiez la poignée de frein moteur
5. Relâchez l'interrupteur et le moteur s'arrêtera.

Remarque : si la clé de sécurité n'est pas insérée, le moteur ne démarre pas lorsque l'interrupteur est enfoncé.

## Gâchette automotrice

### AVERTISSEMENT

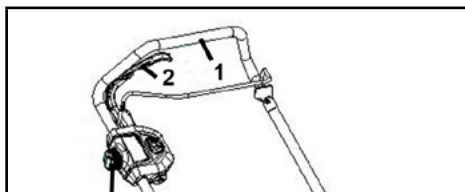
Avant d'insérer la batterie, assurez-vous de vérifier si la gâchette automotrice peut être enfoncée librement et revient à sa position d'origine lorsqu'elle est relâchée. Si l'interrupteur de l'outil ne fonctionne pas correctement, cela peut entraîner une perte de contrôle de l'outil ou des blessures graves.

Insérez la batterie et la clé de sécurité et fermez le couvercle de la batterie.

6. Appuyez sur la gâchette automotrice et la tondeuse à gazon peut avancer.

7. Tournez le bouton de contrôle de vitesse pour régler la vitesse de la tondeuse à gazon. La vitesse augmente lorsque le bouton tourne dans le sens des aiguilles d'une montre. La vitesse ralentit lorsque le bouton tourne dans le sens inverse des aiguilles d'une montre.

Remarque : la vitesse de la fonction automotrice peut être réglée entre 0 et 1,2 m/s.



1. Poignée supérieure 2. Gâchette automotrice 3. Bouton de contrôle de vitesse

## Pour régler la hauteur de coupe

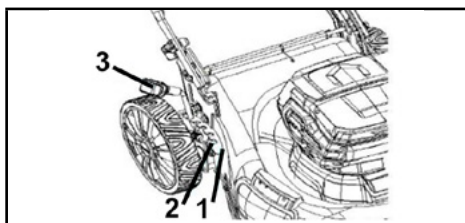
### AVERTISSEMENT

Lors du réglage de la hauteur de coupe, ne placez jamais vos mains et vos jambes sous la tondeuse à gazon.

Assurez-vous que la poignée de hauteur de coupe est correctement placée dans la rainure avant l'utilisation.

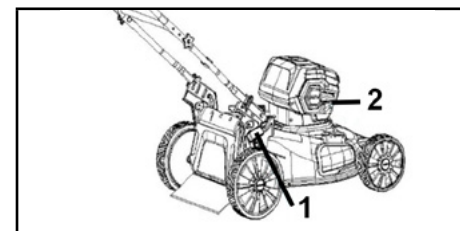
Vous pouvez régler la hauteur de coupe de 25 mm à 95 mm.

Retirez la clé de sécurité et tirez la poignée de hauteur de coupe vers l'extérieur de la tondeuse à gazon. Déplacez-la à la hauteur de coupe souhaitée.



1. Plaque à dents 2. Rainure de plaque à dents 3. Poignée de hauteur de coupe

Une main tient le carter du moteur de la tondeuse et l'autre main déplace la poignée de hauteur de coupe.



1. Poignée de hauteur de coupe 2. Carter du moteur

Remarque: la hauteur de coupe ne peut être utilisée qu'à titre de référence. L'état de la pelouse et du sol rendra la hauteur de la pelouse légèrement différente de la hauteur définie.

Remarque : effectuez un test de coupe dans un lieu peu visible pour obtenir la hauteur de coupe souhaitée.

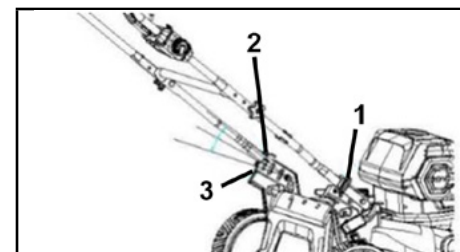
## Pour régler la hauteur de la poignée

### ATTENTION

tenez toujours la poignée supérieure avant de retirer le boulon. Sinon, la poignée pourrait tomber et causer des blessures. La hauteur de la poignée inférieure peut être réglée sur trois positions.

Tournez le couvercle du bouton des deux côtés pour retirer la colonne de bouton du trou

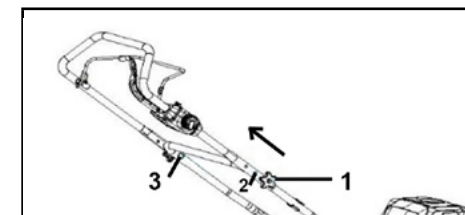
1. Ajustez la hauteur de la poignée.



1. Couvercle de bouton 2. Colonne de bouton 3. Trou

2. Après avoir fixé la hauteur, faites à nouveau pivoter le couvercle du bouton pour fixer la colonne du bouton dans le trou correspondant.

3. La hauteur de la poignée supérieure peut être réglée sur trois positions



1. Écrou en forme d'étoile 2. Trou 3. Boulon d'embase

Retirez l'écrou en forme d'étoile et déplacez la poignée supérieure à la hauteur requise. Fixez l'écrou.

## Pour utiliser la cale de broyage

La cale de broyage renverra l'herbe coupée au sol sans la ramasser dans le récupérateur d'herbe. Retirez toujours le récupérateur d'herbe lorsque vous utilisez la cale de broyage.

## Fonctions électroniques

Cette tondeuse est équipée de fonctions électroniques pour améliorer le confort d'utilisation.

1. Contrôle de vitesse constante.  
Le contrôle électronique de la vitesse maintient la vitesse constante. Même avec une charge, la vitesse de rotation peut être maintenue de manière constante afin d'obtenir un bel effet de tonte.
2. Démarrage progressif  
La fonction de démarrage progressif minimise les vibrations lors du démarrage et permet à la tondeuse de démarrer en douceur

## FONCTIONNEMENT

### Pour couper l'herbe

#### ⚠ AVERTISSEMENT

Avant de commencer à tondre, retirez les branches et les pierres de la zone de travail. De plus, toutes les mauvaises herbes dans la zone de travail doivent être enlevées à l'avance.

Portez toujours des lunettes de protection ou des lunettes de sécurité avec des protections latérales avant d'utiliser la tondeuse à gazon.

#### ⚠ ATTENTION

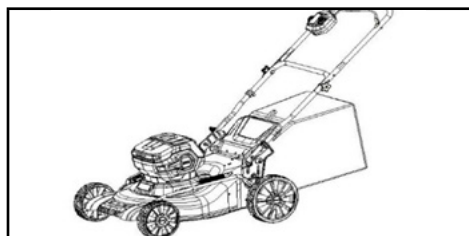
Si de l'herbe coupée ou des objets étrangers obstruent l'intérieur de la tondeuse à gazon, assurez-vous de retirer la clé de sécurité et la batterie et portez des gants avant de retirer l'herbe coupée et les objets étrangers.

*Remarque : cette tondeuse à gazon est uniquement utilisée pour tondre la pelouse. Ne l'utilisez pas pour couper les mauvaises herbes.*

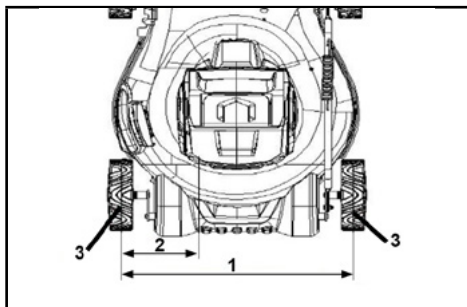


Lorsque vous tondez la pelouse, assurez-vous de tenir fermement la poignée supérieure avec les deux mains.

La vitesse de tonte recommandée est d'environ 1 mètre toutes les 4 secondes.

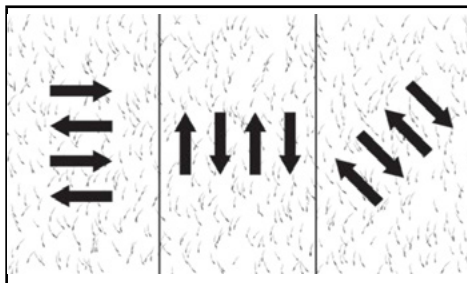


Les lignes centrales des roues avant sont utilisées comme ligne de référence pour la largeur de tonte. La tonte de longues bandes est effectuée en référence à ces deux lignes centrales. Lors de la tonte de la bande suivante, vous pouvez continuer de 1/2 à 1/3 de la dernière largeur de tonte afin de tondre la pelouse uniformément.



1. Largeur de coupe 2. Zone de chevauchement 3. Lignes centrales

Changez de direction à chaque tonte pour éviter que la pelouse ne fixe un sens.



Vérifiez régulièrement le récupérateur d'herbe. Videz-le avant qu'il ne soit plein.

Arrêtez toujours la tondeuse à gazon et retirez la clé de sécurité et la batterie avant chaque inspection régulière.

*Remarque: Vérifiez régulièrement le récupérateur d'herbe. Videz-le avant qu'il ne soit plein. Arrêtez toujours la tondeuse à gazon et retirez la clé de sécurité et la batterie avant chaque inspection régulière.*

### Pour tondre de l'herbe plus longue

N'essayez pas de tondre de l'herbe plus longue en une fois. Au lieu de cela, tondez la pelouse par étapes. Elle peut être tondue sur un ou deux jours jusqu'à ce que la hauteur de la pelouse soit la même

## MAINTENANCE

#### ⚠ AVERTISSEMENT

Retirez toujours la clé de sécurité et la batterie avant le rangement, le transport, la vérification ou l'entretien.

Lorsque la tondeuse à gazon n'est pas utilisée, retirez la clé de sécurité. Conservez la clé de sécurité dans un endroit sûr et gardez-la hors de portée des enfants.

Portez des gants lors des inspections et de l'entretien.

Portez toujours des lunettes de protection ou des lunettes de sécurité avec des protections latérales lors des inspections ou de l'entretien.

*benzène, de diluant, d'alcool ou similaire pour nettoyer la tondeuse à gazon. Cela peut sinon entraîner une décoloration, une déformation ou une fissuration de l'outil.*

Afin d'assurer la sécurité et la fiabilité du produit, les réparations, tout autre entretien ou réglage doivent être effectués par un centre de service agréé WARRIOR ECO ou en usine. Utilisez toujours des pièces de rechange de Warrior ECO.

1. Retirez la clé de sécurité et la batterie et fermez le couvercle de la batterie.
2. Tournez la tondeuse à gazon sur le côté, retirez l'herbe coupée collectée à l'intérieur du déflecteur de la tondeuse à gazon.
3. Dégagez vers le bas de la tondeuse à gazon avec une lame.

#### ⚠ ATTENTION

Don not wash it with high pressure cleaner.

4. Vérifiez et assurez-vous que tous les écrous, boulons, boutons, vis et fixations sont bien fixés.
5. Vérifiez les pièces mobiles pour les dommages, la rupture et l'usure. Les pièces endommagées ou perdues doivent être réparées ou remplacées.
6. Gardez la tondeuse à gazon dans un endroit sûr qui n'est pas accessible aux enfants



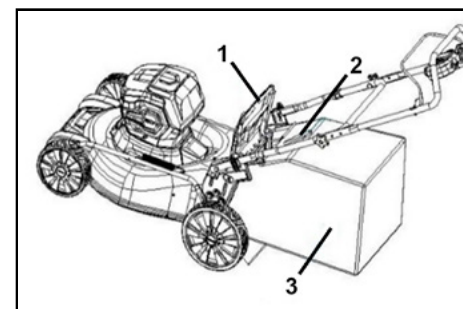
*Remarque : couper de l'herbe plus longue en même temps peut entraîner le flétrissement de l'herbe. L'herbe coupée peut également bloquer l'intérieur de la tondeuse à gazon*

### Pour vider le récupérateur d'herbe

#### ⚠ AVERTISSEMENT

Afin de réduire le risque d'accidents, veuillez vérifier régulièrement que le récupérateur d'herbe n'est pas endommagé et qu'il présente une résistance. Remplacez-le si nécessaire.

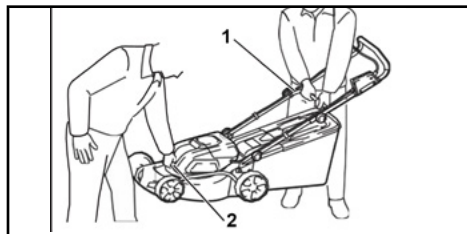
1. Relâchez l'interrupteur.
2. Retirez la clé de sécurité.
3. Ouvrez le couvercle arrière et tenez la poignée pour retirer le récupérateur d'herbe.
4. Videz le récupérateur d'herbe.



1. Couvercle arrière 2. Poignée 3. Récupérateur d'herbe

## Transport

Lorsque du transport de la tondeuse à gazon, deux personnes tiennent la poignée avant et la poignée inférieure comme indiqué sur la figure.

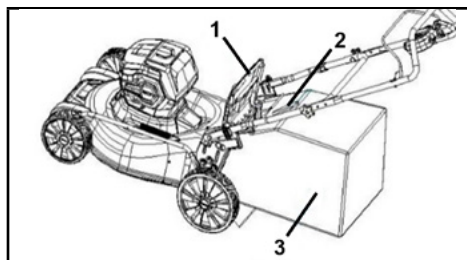


1. Poignée inférieure 2. Poignée avant

## Rangement

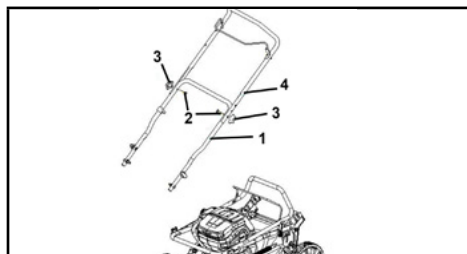
Rangez la tondeuse à gazon dans un endroit frais, sec et verrouillé. Ne rangez pas la tondeuse à gazon et le chargeur dans des endroits où la température peut atteindre ou dépasser 40 °C (104 °F)

1. Ouvrez le couvercle arrière et tenez la poignée pour retirer le récupérateur d'herbe.



1. Couvercle arrière 2. Poignée 3. Récupérateur d'herbe

2. Desserrez l'écrou et repliez la poignée supérieure..



1 Poignée inférieure 2. Boulon d'embase 3. Boulon en forme d'étoile 4. Poignée supérieure

## Pour démonter ou assembler la lame de coupe

### ⚠ AVERTISSEMENT

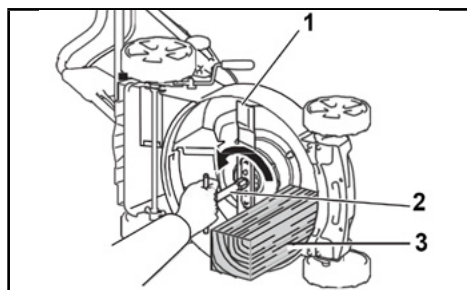
Lors de l'assemblage ou du démontage d'une lame, assurez-vous de retirer d'abord la clé de sécurité et la batterie. Si la clé de sécurité et la batterie ne sont pas retirées, cela peut entraîner des blessures graves.

La lame continuera de tourner pendant quelques secondes après le relâchement de l'interrupteur. N'effectuez jamais aucune action avant qu'elle ne s'arrête complètement..

Portez toujours des gants lorsque vous manipulez la lame.

## Pour démonter la lame de coupe de la tondeuse à gazon

1. Tournez la tondeuse à gazon sur le côté de sorte que la poignée de réglage de la hauteur de coupe se trouve sur le côté supérieur.
2. Insérez un bloc de bois ou similaire dans la tondeuse à gazon afin de verrouiller la lame.
3. Tourner la vis dans le sens contraire aux aiguilles d'une montre pour fixer la lame..



1. Lame de coupe 2. Clé 3. Bloc de bois

4. Retirez tour à tour la vis de la lame, la lame de 19 pouces et l'hélice.

## CHARGEUR DE BATTERIE

### CARACTÉRISTIQUES

Chargeur: C8360/C8362

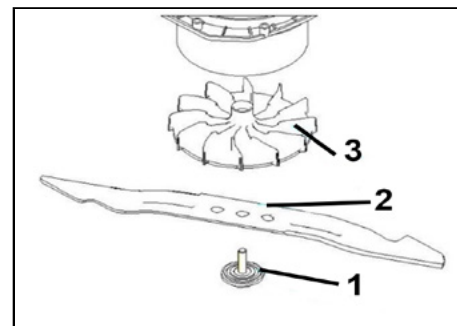
Entrée : 120-240 V AC, 50/60 Hz, 3 A max.

Sortie : 63 V DC, 4,5 A max.

Poids : 2,6 lb (1,2 kg)

### PROCÉDURE DE CHARGE (Voir Figure 7)

**REMARQUE:** la batterie n'est pas expédiée complètement chargée. Il est recommandé de la charger complètement avant la première utilisation pour garantir une durée de fonctionnement maximale. Cette batterie lithium-ion ne développera pas de mémoire et pourra être rechargée à tout moment.



1. Vis de lame 2. Lame de 19 pouces 3. Hélice

### Pour assembler la lame de coupe de la tondeuse à gazon

Pour assembler la lame de coupe, suivez les étapes inverses de celles du démontage.

### ⚠ AVERTISSEMENT

Soyez prudent lors de l'assemblage de la lame. Assurez-vous qu'elle soit correctement orientée de manière supérieure/inférieure. Lors de l'assemblage de la lame, faites en sorte que la flèche dans le sens de rotation soit tournée vers l'extérieur.

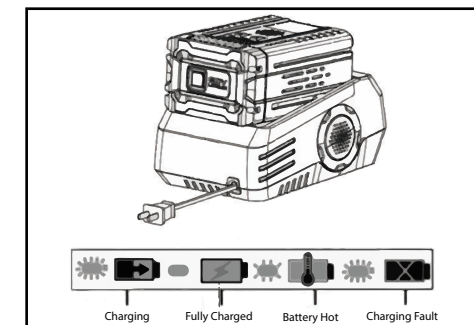
Serrez les boulons dans le sens des aiguilles d'une montre pour fixer la lame..

Assurez-vous que la lame et toutes les fixations soient correctement assemblées et solidement fixées

Suivez toujours les instructions de ce manuel lors du remplacement de la lame.

### Nettoyage

1. Essuyez l'extérieur de la tondeuse à gazon avec un chiffon doux et sec. N'arrosez pas et ne lavez pas avec de l'eau.
2. Grattez la protection pour enlever les coupures séchées et la boue.
3. Brossez ou soufflez la poussière, les débris et l'herbe coupée hors des bouches d'aération. Gardez-les libres de toute obstruction.



LED STATUS	LA DESCRIPTION
Vert clignotant	Charge en cours
Vert fixe	Entièrement chargé
Rouge fixe	Veille
Rouge clignotant (rapide)	Défaut de charge
Rouge clignotant (lent)	Batterie en surchauffe

### Remarque sur les faux défauts:

Lorsque la batterie est insérée dans le chargeur et que la LED d'état clignote en ROUGE, retirez la batterie du chargeur pendant 1 minute, puis réinsérez-la. Si la LED d'état clignote en VERT, la batterie se charge correctement. Si la LED d'état clignote toujours en ROUGE, retirez la batterie et débranchez le chargeur pendant 1 minute. Après 1 minute, branchez le chargeur et réinsérez la batterie. Si la LED d'état clignote en VERT, la batterie se charge correctement. Si la LED d'état



clignote toujours en ROUGE, la batterie est défectueuse et doit être remplacée.

#### VÉRIFICATION DE LA CHARGE

Si la batterie ne se charge pas correctement :

Vérifiez le courant à la prise de courant avec un autre outil. Assurez-vous que la prise n'est pas éteinte.

Vérifiez que les contacts du chargeur n'ont pas été court-circuités par des débris ou des corps étrangers.

Si la température de l'air est supérieure à 104 °F ou inférieure à 45 °F, déplacez le chargeur et la batterie dans un endroit à température ambiante.

#### AVERTISSEMENT

Si la batterie est insérée dans le chargeur lorsqu'elle est tiède ou chaude, le voyant LED DE CHARGE du chargeur peut s'allumer en ROUGE. Si cela se produit, laissez la batterie refroidir à l'intérieur du chargeur pendant 30 minutes. La charge devrait démarrer automatiquement une fois la batterie refroidie.

#### MONTAGE DU CHARGEUR

1. Ce chargeur peut être fixé au mur à l'aide de deux vis #8 (non incluses).
2. Localisez l'emplacement du chargeur à fixer au mur.
3. Si vous le fixez à des montants en bois, utilisez deux vis à bois (non incluses).
4. Percez deux trous au centre à 5,5 pouces l'un de l'autre en vous assurant qu'ils soient alignés verticalement.
5. En cas de fixation sur des cloisons sèches, utilisez des chevilles murales (non incluses) et des vis pour fixer le chargeur au mur.

Remarque : si la batterie et le chargeur ne seront pas utilisés pendant une longue période, retirez la batterie du chargeur et débranchez la prise d'alimentation CA.

## ENTRETIEN

#### AVERTISSEMENT

Afin d'éviter les blessures et les risques d'incendie et de choc électrique, retirez la batterie avant de régler, d'inspecter ou de nettoyer le souffleur.

#### Nettoyage

Retirez la batterie.

- Brossez ou soufflez la poussière et les débris hors des bouches d'aération à l'aide d'air comprimé ou d'un aspirateur. Gardez les bouches d'aération exemptes d'obstructions, de sciure de bois et de copeaux de bois. Ne vaporisez, ne lavez ou n'immergez pas les bouches d'aération dans l'eau.
- Essuyez le boîtier et les composants en plastique à l'aide d'un chiffon humide et doux. N'utilisez pas de solvants ou de détergents puissants sur le boîtier en plastique ou les composants en plastique. Certains produits de nettoyage ménagers peuvent causer des dommages et un risque d'électrocution.

#### Batterie

- Rangez la batterie une fois celle-ci complètement chargée.
- Une fois que le voyant du chargeur devient vert fixe, retirez la batterie du chargeur et débranchez le chargeur de la prise.
- Ne stockez pas la batterie sur l'outil.
- Après la charge, la batterie peut être stockée dans le chargeur, tant que le chargeur n'est pas branché.

#### Entretien du chargeur

Gardez le chargeur propre et exempt de débris. Ne laissez pas de corps étrangers pénétrer dans la cavité encastrée ou sur les contacts. Essuyez le chargeur avec un chiffon doux et sec. N'utilisez pas de solvants ou d'eau et ne placez pas le chargeur dans des conditions humides.

Débranchez le chargeur lorsqu'il n'y a pas de batterie dedans.

Chargez complètement les batteries avant de les ranger.

Conservez le chargeur à température ambiante normale. Ne le stockez pas dans une chaleur excessive. N'utilisez pas le chargeur en plein soleil. Rechargez à température ambiante entre 45 °F et 104 °F (7 °C et 40 °C). Si la batterie est chaude, laissez-la refroidir à l'intérieur du

chargeur. La batterie commencera à se charger une fois qu'elle sera revenue à température ambiante.

## ÉLIMINATION DE LA BATTERIE RESPECTUEUSE DE L'ENVIRONNEMENT

#### AVERTISSEMENT

Tous les matériaux toxiques doivent être éliminés d'une manière spécifiée pour éviter la contamination de l'environnement. Avant de mettre au rebut des batteries au lithium-ion endommagées ou usées, contactez votre agence locale d'élimination des déchets ou l'agence locale de protection de l'environnement pour obtenir des informations et des instructions spécifiques. Apportez les batteries à un centre de recyclage et/ou d'élimination local, certifié pour l'élimination du lithium-ion.

#### AVERTISSEMENT

Si la batterie se fissure ou se brise, avec ou sans fuite, ne la rechargez pas et ne l'utilisez pas. Éliminez-la et remplacez-la par une nouvelle batterie.

#### N'ESSAYEZ PAS DE LA RÉPARER !

Pour éviter les blessures et les risques d'incendie, d'explosion ou de choc électrique, et pour éviter d'endommager l'environnement :

· Couvrez les bornes de la batterie avec du ruban adhésif résistant.

- N'essayez PAS de retirer ou de détruire l'un des composants de la batterie.
- N'essayez PAS d'ouvrir la batterie.
- Si une fuite se développe, les électrolytes libérés sont corrosifs et toxiques. NE mettez PAS la solution dans les yeux ou sur la peau et ne l'avalez PAS.
- NE placez PAS la batterie dans vos ordures ménagères ordinaires.
- NE l'incinerez PAS.
- NE jetez PAS la batterie là où elle fera partie d'une décharge de déchets ou d'un flux de déchets urbains solides.
- Apportez-la à un centre de recyclage ou d'élimination certifié.

## DÉPANNAGE

Problème	Causes possibles (défaillances)	Dépannage
Le moteur ne tourne pas.	Le système d'entraînement ne fonctionne pas correctement.	Demandez au centre de service de maintenance agréé localement d'effectuer l'entretien.
	Panne de batterie (sous-tension).	Chargez la batterie. Si la charge n'est pas valide, remplacez la batterie.
	Clé de sécurité non insérée.	Insérez la clé de sécurité.
Le moteur ne tourne pas après une période d'utilisation.	Batterie faible.	Chargez la batterie. Si la charge n'est pas valide, remplacez la batterie.
	La hauteur de coupe est trop faible.	Augmentez la hauteur.
Le moteur n'atteint pas la vitesse maximale.	La batterie n'est pas correctement insérée.	Insérez la batterie comme décrit dans ce manuel.
	Batterie faible.	Chargez la batterie. Si la charge n'est pas valide, remplacez la batterie.
	Le système d'entraînement ne fonctionne pas correctement.	Demandez au centre de service de maintenance agréé localement d'effectuer l'entretien.
La lame ne tourne pas : Éteignez immédiatement la tondeuse à gazon !	La lame a été bloquée par des objets étrangers (tels que des brindilles ou de l'herbe).	Retirez l'objet étranger.
	Le système d'entraînement ne fonctionne pas correctement.	Demandez au centre de service de maintenance agréé localement d'effectuer l'entretien.
Vibrations anormales : Éteignez immédiatement la tondeuse à gazon !	La lame est déséquilibrée, usure excessive ou inégale.	Remplacez la lame.
	Accumulation excessive de débris d'herbe sur la lame ou enchevêtrement partiel de la lame.	Enlevez les débris d'herbe.
L'indicateur LED de l'outil clignote 1 à 19 fois, le moteur ne démarre pas.	Défaut du contrôleur de moteur, ou surchauffe, ou batterie faible, ou surcharge, etc.	<ol style="list-style-type: none"> <li>1. Relâchez la gâchette et redémarrez la machine après 3 à 5 s ; ou</li> <li>2. Arrêtez le fonctionnement et laissez refroidir l'outil, ou chargez la batterie ; ou</li> <li>3. Nettoyez le carter et la lame pour enlever les débris d'herbe et les corps étrangers</li> </ol>

## GARANTIE

## Retours

Nous offrons une garantie de remboursement de 30 jours sans équivoques pour toutes les marchandises expédiées correctement qui ne sont pas nécessaires. L'acheteur sera responsable des frais de retour et d'emballage et tous les frais d'expédition d'origine ne sont pas remboursables. Les marchandises doivent être retournées dans un état approprié à la revente et, si possible, doivent être retournées dans leur emballage d'origine.

Les marchandises qui sont fabriquées spécifiquement pour une commande et expédiées correctement ne peuvent pas être retournées.

Si le mauvais article est reçu, il incombe à l'acheteur de nous en informer par écrit dans les 7 jours suivant la réception. Des dispositions seront alors prises pour que l'article incorrect soit récupéré et qu'un article de remplacement soit expédié.

## Conditions de garantie

Chez Warrior, nous comprenons l'importance de la garantie pour le service et la réparation, nous offrons une garantie standard de 3 ans (outils uniquement) et 1 an (batterie uniquement) sans qu'il soit nécessaire d'enregistrer votre achat.

Veuillez consulter les limitations ci-dessous et lire les conditions générales complètes concernant la garantie offerte sur un produit particulier.

Tout ce dont nous avons besoin est soit une copie de la preuve d'achat originale, soit une facture fournie par le détaillant au moment de l'achat pour permettre la réclamation. Veuillez conserver votre preuve d'achat en lieu sûr pendant la durée de vos conditions, dans le cas où vous auriez besoin de notre support technique, nous vous demanderons de le fournir sur chaque réclamation, AUCUNE preuve d'achat, aucune réclamation au titre de la garantie ne sera retardée ou rejetée.

Les frais de transport de tout produit ou pièce(s) soumis pour réparation ou remplacement en vertu de cette garantie sont à la charge exclusive de l'acheteur. Cette garantie s'applique uniquement à l'acheteur original et n'est pas transférable.

Ne retournez pas l'unité au lieu d'achat

Contactez le support technique et nous résoudrons tout problème par téléphone ou par e-mail. Si le problème n'est pas résolu par cette méthode, nous autoriserons, à discrétion, une évaluation, une réparation ou un remplacement du produit, des pièces ou des composants défectueux dans notre propre atelier de centre de service. Si et quand un produit doit être remplacé, dans la plupart des cas, ce sera sur une base comparable et non pas un ancien pour un nouveau. Nous vous fournirons un numéro de dossier pour le service de garantie et cela peut être contrôlé via votre compte de connexion. Veuillez le conserver pour référence future. Les réparations ou les remplacements sans autorisation préalable, ou dans un centre de réparation non autorisé, ne seront pas couverts par cette garantie. Nous avons des exclusions de garantie pour les clients en dehors du Royaume-Uni, veuillez consulter nos conditions générales complètes.

## Exclusions de Garantie

## CETTE GARANTIE NE COUVRE PAS CE QUI SUIT :

## USURE NORMALE

Votre produit a besoin de pièces et d'un service périodique pour bien fonctionner. Cette garantie ne couvre pas la réparation lorsque l'utilisation normale a épuisé la durée de vie d'une pièce ou de l'équipement dans son ensemble.

## INSTALLATION, UTILISATION ET ENTRETIEN

Cette garantie sera annulée et (ou) ne s'appliquera pas aux pièces ou à la main-d'œuvre si votre produit est réputé avoir été mal utilisé, négligé, impliqué dans un accident, abusé, surchargé au-delà des limites, modifié, installé de manière incorrecte ou connecté de manière incorrecte à tout composant ou système de charge de la batterie. L'entretien normal n'est pas couvert par cette garantie.

## Autres exclusions

Cette garantie exclut

- Défauts cosmétiques tels que peinture, décalcomanies, autocollants ou outils accessoires
- Pièces de rechange, y compris les lames, les cordes, les chaînes, les barres ou les sacs
- Tout composant électrique autre que l'unité de commande principale comme les fusibles, les connecteurs, les cadrans, les boutons ou les leviers.
- Les défaillances dues à des cas fortuits et à d'autres événements de force majeure indépendants de la volonté du fabricant
- Problèmes causés par des pièces qui ne sont pas d'origine
- Altération ou modification(s) apportée(s) par toute partie autre que le fabricant
- Tout équipement électrique tiers

Toutes les piles fournies ont plus d'un an.

Limites de la garantie implicite et des dommages indirects

BPE Holdings (Warrior Eco Power Equipment) décline toute obligation de couvrir toute perte de temps, d'utilisation de ce produit, de fret ou tout coût de réclamation accessoire ou consécutif par toute personne utilisant ce produit.

CETTE GARANTIE REMPLACE TOUTES LES AUTRES GARANTIES, EXPRESSES OU IMPLICITES, Y COMPRIS LES GARANTIES DE QUALITÉ MARCHANDE OU D'ADAPTATION À UN USAGE PARTICULIER.

Une unité fournie en échange sera soumise à la garantie de l'unité d'origine. La durée de la garantie de l'unité échangée restera calculée par référence à la date d'achat de l'unité d'origine. Cette garantie vous donne certains droits légaux qui peuvent changer d'un pays à l'autre. Votre pays peut également avoir d'autres droits auxquels vous pourriez avoir droit et qui ne sont pas répertoriés dans cette garantie.



# BATTERIDRIVEN GRÄSKLIPPARE M8242 / M8243

SPARA DESSA INSTRUKTIONER. Denna bruksanvisning innehåller viktiga säkerhetsåtgärder som ska läsas och förstås innan produkten används. Underlåtenhet att göra detta kan leda till allvarliga personskador. Denna bruksanvisning bör förbli hos produkten.

Specifikationer, beskrivningar och illustrationer i denna bruksanvisning är så exakta som möjligt vid tidpunkten för publicering, men kan ändras utan föregående meddelande.

## TEKNISK DATA

### TEKNISK DATA

<b>BATTERIDRIVEN GRÄSKLIPPARE</b>	
Typbeteckning	BATTERIDRIVEN GRÄSKLIPPARE
Självgående funktion	M8242 Ja
Skärhöjd	25 till 95mm
Skärbredd (bladets diameter)	490 mm
Tomgångshastighet	2,800/min
Max. fart	3,200/min
Dimension (Längd x bredd x höjd) Vid användning	Längd: 1,390 mm to 1,650 mm Bredd 570 mm Höjd: 850 mm to 1,130 mm
Dimension (Längd x bredd x höjd) Förvaring (utan gräsfångaren)	Längd 868 mm Bredd: 570 mm Höjd: 550 mm
Märkspänning	60 VDC
Nettovikt	24.6 Kg (M8243) 26.7 Kg (M8242)
Grad av skydd	IPX4
Klipphöjdsjustering	Sex nivåer

- Tillverkaren förbehåller sig rätten att ändra specifikationerna utan föregående meddelande.
- Maskinspecifikationer och batteripaket kan variera från land till land
- Vikten varierar beroende på tillbehör (inklusive batteriet). Enligt EPTA-förfarandet 01/2014 listas den viktigaste och lättaste kombinationen i tabellen.
- Godkänt batteri: BP8302-2500mAh / 4000mAh / 5000mAh

## SÄKERHETSINSTRUKTIONER

**! VARNING****Läs alla varningar och instruktioner.**

Underlåtenhet att följa följande varningar och instruktioner kan leda till elektrisk stöt, brand och / eller allvarlig personskada.

**Avsedd användning**

Den batteridrivna gräsklipparen är endast avsedd för att klippa gräs i privata trädgårdar. Det var inte utformat för kontinuerligt kommersiellt bruk. För kommersiellt bruk är garantin begränsad till 1 år

All annan användning som inte uttryckligen är tillåten i denna handbok kan leda till skador på klipparen och utgöra en allvarlig fara för användaren. Gräsklipparen är avsedd för vuxen användning. Barn och personer som inte känner till denna handbok får inte använda den. Att använda gräsklipparen i regn eller fuktig miljö är förbjudet. Tillverkaren ansvarar inte för skador orsakade av felaktig användning eller felaktig användning.

**Risker**

Även om du använder detta elverktyg på rätt sätt, kvarstår kvarvarande risker. Följande faror kan uppstå i samband med konstruktion och konstruktion av detta elverktyg:

- Klippskador.
- Hörselskador om inget lämpligt hörselskydd bärs.
- Hälsoskador till följd av vibrationer i handarm om enheten används under en längre tid eller om den inte hanteras och underhålls korrekt.

**Bullerutsläpp**

Typisk A-vägd ljudnivå (mätt enligt EN 60335-2-77):

Type designation: M8242/M8243

Ljudtrycksnivå (LpA): 79 dB (A)

Ljudeffektnivå (LWA): 91 dB (A)

Mätningssäkerhet (K): 3.4 dB (A)

Ljudnivån under drift kan vara 80 dB (A).

*Notera: Det deklarerade brusemissionsvärdet bestäms enligt standardtestmetoder och kan användas för att jämföra verktygen.*

*Obs: Det deklarerade värdet för brusemission kan också användas för preliminär utvärdering av verktygets prestanda.*

**! VARNING**

Använd öronskydd.

**! VARNING**

Ljudutsläppsvärdet kan vara annorlunda under den faktiska användningen av elverktyget från det deklarerade värdet, beroende på hur verktyget ska användas, särskilt vilken typ av arbetsstycke som bearbetas.

**! VARNING**

Var noga med att vidta säkerhetsåtgärder för att skydda operatören enligt de förväntade faktiska driftförhållandena. Alla aspekter av driftcykeln måste beaktas (till exempel avstängningstid, vilotid och starttid).

**Vibration**

Vibrationsemissionsvärde (Three-axis vector sum) (measured according to EN 60335-2-77):

Typbeteckning : M8242/M8243

Vibration (ah): 5 m/s<sup>2</sup>

Mätningssäkerhet (K): 1.5 m/s<sup>2</sup>

**Säkerhetsinstruktioner för gräsklippare**

Förvara alla säkerhetsvarningar och anvisningar för framtida referens.

- Sätt in säkerhetsnyckeln i gräsklipparen när du är redo att använda den. Take care of children. Do not let children play with the lawn mower.
- Låt aldrig barn eller personer som inte känner till dessa instruktioner använda maskinen. Lokala bestämmelser kan begränsa operatörens ålder. Never operate the machine while people, especially children, or pets are nearby.
- Tänk på att operatören eller användaren är ansvarig för olyckor eller faror som inträffar för andra personer eller deras egendom.

- Använd alltid stora skor och långa byxor när du använder maskinen. Använd inte maskinen när du är barfota eller bär öppna sandaler. Undvik att bära kläder som är löst passande eller som har hängsladdar eller slipsar. De kan fastna i rörliga delar.
- Använd alltid skyddsglasögon när du använder verktyget för att undvika ögonskador. Skyddsglasögon måste följa US ANSI Z87.1, European EN 166 eller Australian / New Zealand AS / NZS 1336. I Australien / Nya Zeeland kräver lagen en mask för att skydda ansiktet.



Arbetsgivare måste övervaka operatören av verktygen och andra arbetare i arbetsområdet för att bära lämplig säkerhetsutrustning.

- Använd maskinen endast i dagsljus eller i gott konstgjort ljus.
- Undvik att använda maskinen i vått gräs

**EG-försäkran om överensstämmelse**

Det är bara för EU-länder. Bilaga A till denna manual innehåller EG-försäkran om överensstämmelse.

**Säkerhetsinstruktioner för gräsklippare**

- Användning och underhåll av batteridrivet elverktyg
  - Använd endast den angivna laddaren från tillverkaren för laddning. Att använda en annan laddare kan orsaka brand.
  - Elverktyg kan bara använda speciellt specificerat batteri. Andra typer av batterier kan orsaka personskador eller brand.
  - När du inte använder batteriet ska du hålla det borta från gem, mynt, nycklar, spikar, skruvar eller andra små metallföremål.

Dessa objekt kan korta batteriterminalerna. En kortslutning i batteriet kan orsaka brännskador eller brand.

- Överanvändning kan leda till att vätska läcker från batteriet.
- Undvik kontakt med vätskan. Om du av misstag kommer i kontakt med vätskan från batteriet, skölj den med vatten. Om vätskan vidrör ögat, kontakta läkare. Batteriläckage kan leda till allergisk inflammation eller brännskador.
- Kassera inte batteriet i eld. Annars kan batteriet explodera. För specifika hanteringsinstruktioner, se lokala föreskrifter.
- Öppna eller demontera inte batteriet. Den spillda elektrolyten är frätande och kan orsaka skador på ögat eller huden. Att svälja riskerar förgiftning.
- Ladda inte enheten i regnet eller på en våt plats.
- Håll i handtaget ordentligt
- Var noga med att stå lutad.
- Gå, spring aldrig.
- 1Rör inte vid det exponerade bladet eller skärkanten när du flyttar eller håller klipparen.
- Fysiskt tillstånd - Använd inte gräsklipparen när du är trött eller påverkad av droger, alkohol eller medicinering.
- Händer och fötter bör hålla sig borta från roterande blad. Obs - bladet roterar fortfarande efter att gräsklipparen stängts av.
- Använd endast de originalblad som anges i denna bruksanvisning.
- Innan du använder den, kontrollera alltid visuellt för att se att bladet, knivbulten och knivenheten inte är slitna eller skadade. Byt ut slitna eller skadade komponenter i uppsättningar för att bevara balansen. Byt ut skadade eller oläsliga etiketter.
- Se till att det inte finns några andra personer i arbetsområdet innan du använder gräsklipparen. När någon kommer in i arbetsområdet ska du stoppa gräsklipparen.
- Innan du använder gräsklipparen ska du ta bort främmande föremål som sten, tråd, flaskor, ben

- och stora grenar i arbetsområdet för att förhindra skada eller skada på gräsklipparen.
17. Om du hittar några avvikelser ska du omedelbart sluta använda gräsklipparen. Stäng av den och ta bort säkerhetsnyckeln. Kontrollera sedan gräsklipparen.
  18. Om gräsmaskinen har funktionen att justera klipphöjden, justera inte klipphöjden medan gräsmaskinen är i drift.
  19. Släpp omkopplingsspaken innan du korsar uppfarten, trottoaren, vägen eller någon grusbelagd väg och vänta tills bladet slutar snurra. Var noga med att koppla bort säkerhetsnyckeln när du placerar en gräsklippare, plockar ut främmande föremål på beskärningsvägen eller i vilket fall som helst som kan distrahera din uppmärksamhet.
  20. 22. Det kan orsaka allvarlig personskada om skärbladet påverkar ett främmande föremål, kontrollera noggrant arbetsområdet och ta bort eventuella skräp före varje användning.
  21. 23. När gräsklipparen påverkar ett främmande föremål, gör följande steg:
    - 21a. Stoppa motorn, släpp strömbrytaren och vänta tills bladet stannar helt.
    - 21b. Ta bort säkerhetsnyckeln och ta ut batteriet
    - 21c. Kontrollera gräsklipparen noggrant för skador.
    - 21d. Om bladet är skadat, byt ut det. Reparera eventuella skador innan du startar om och fortsätter att använda den.
  22. Kontrollera gräset regelbundet för slitage eller funktionsförlust. Töm gräset under lagring. Av säkerhetsskäl bör du byta ut den slitna gräspåsen med en ny originalgräspåse
  23. Var mycket försiktig när du vänder eller drar maskinen mot dig
  24. Stoppa bladet (-arna) om maskinen måste lutas för transport när du korsar andra ytor än gräs och när du transporterar maskinen till och från det område som ska användas.
  25. Använd aldrig maskinen med defekta skydd eller sköldar, eller utan säkerhetsanordningar, till exempel avbójare och / eller gräsuppsamlare, på plats.
  26. Slå på gräsklipparen noggrant enligt bruksanvisningen. Håll fötterna borta från skärbladet.
  27. Luta inte maskinen när du sätter på motorn, förutom om maskinen måste lutas för att starta. Luta i så fall inte mer än absolut nödvändigt och lyft endast den del som är borta från föraren.
  28. Starta inte maskinen när du står framför urladdningsöppningen.
  29. Lägg inte händer eller fötter nära eller under roterande delar. Håll dig borta från urladdningsöppningen hela tiden.
  30. källan körs.
  31. Stoppa maskinen, ta bort inaktiveringsenheten. Se till att alla rörliga delar har slutat helt:
    - 31a. när du lämnar maskinen;
    - 31b. innan du tömmer blockeringar eller rensar bort ränna
    - 31c. innan du kontrollerar, rengör eller arbetar med maskinen
    - 31d. efter att ha slått ett främmande föremål. Kontrollera maskinen för skador och gör reparationer innan du startar om och använder maskinen.
  32. Om maskinen börjar vibrera onormalt (kontrollera omedelbart).
    - 32a. inspektera för skador ;
    - 32b. byt ut eller reparera skadade delar;
    - 32c. kontrollera och dra åt eventuella lösa delar
  33. Var försiktig vid justering av maskinen för att förhindra att fingrarna fångas mellan rörliga blad och fasta delar av maskinen.
  34. Var alltid säker på att du går i backarna. Klippa över slutningarna, aldrig upp och ner. Var extra försiktig när du ändrar riktning i slutningarna. Klipp inte alltför branta slutningar.
  35. Kontrollera alltid fästskruvarna för att se till att de är ordentligt åtdragna.
  36. Håll alla muttrar, bultar och skruvar tätt för att säkerställa att maskinen är i säkert arbetsskick.
  37. Låt alltid maskinen svalna innan den lagras.
  38. När du gör service på knivarna ska du vara medveten om att trots att strömkällan är avstängd kan bladen fortfarande flyttas

39. Byt ut slitna eller skadade delar för säkerhet. Använd endast äkta reservdelar och tillbehör.
40. Använd inte gräsklipparen under åskväder.
41. Om du använder gräsklipparen på lerig mark, våta slutningar eller hala ställen, ska du stå stadigt.
42. Undvik att arbeta i svåra miljöer som kan öka användarens trötthet.
43. Använd inte gräsklipparen i dåligt väder med begränsad sikt. Annars kan det leda till fall eller felaktig drift på grund av dålig sikt.
44. Byt inte ut batteriet i regnet.
45. Sänk inte ner gräsklipparen i en pool.
46. Lämna inte verktyget utan tillsyn utomhus på regniga dagar.
47. Sätt inte i eller dra ur säkerhetsnyckeln i regnet.
48. Om våta löv eller smuts fäster vid sugmunstycken (luftinlopp) på grund av regn, ta bort dem.
49. Tvätta inte gräsklipparen med högtryckstvätt.
50. Se till att ta bort batteriet och säkerhetsnyckeln när du rengör gräsklipparen och stäng batteriluckan. Spola sedan botten av gräsklipparen där bladet är monterat.
51. Vid lagring av gräsklipparen ska du undvika direkt solljus och regn och förvara den på en plats som inte blir varm eller fuktig.
52. Utför inspektion eller underhåll på en plats där det inte regnar.
53. När du har använt gräsklipparen, ta bort eventuell vidhäftande smuts och torka gräsklipparen noggrant innan du förvarar den. Beroende på säsong eller region finns det möjlighet till ett fel på grund av frysning.
54. Låt inte batteripoolerna komma i kontakt med vätskor eller sänk ned batteriet i vatten. Utsätt inte batteriet för regn och ladd inte, använd eller förvara batteriet på ett fuktigt ställe. Om batteripolarna är våta eller vätska kommer in i batteriet kan batteriet kortslutas vilket kan orsaka överhettning, eld eller explosion.
55. Se till att sätta ihop batterilocket på batterilådan när du har tagit bort batteripaketet från gräsklipparen eller laddaren och förvara det på en torr plats.
56. Byt inte ut batteriet med våta händer.

57. Använd inte enheten i snön.
58. Om det klippta gräset blir vått kan det täppa gräsklipparens insida. Kontrollera gräsklipparens skick regelbundet och ta bort vidhäftande gräs vid behov.

Förvara denna manual på ett säkert ställe för framtida referens.

### VARNING

Följ alltid alla säkerhetsinstruktioner, även om du är tillräckligt välbekant med enheten (upplevelse genom upprepad användning).

Felaktig användning eller underlåtenhet att följa säkerhetsinstruktionerna i manualen kan leda till allvarlig personskada.

### Instruktioner för batterisäkerhet

1. Läs igenom alla instruktioner och säkerhetssymbolerna på laddaren (1), batteriet (2) och den batteridrivna enheten (3) innan du använder batteriet.
2. Demontera inte batteriet.
3. Om gräsklipparens drifttid blir för kort ska du omedelbart avbryta driften. Annars kan det leda till överhettning, eld eller till och med explosion.
4. Om elektrolyten från batteripaketet kommer in i ögonen, skölj den med rent vatten och kontakta läkare omedelbart. Annars kan det leda till nedsatt syn.
5. Kortslut inte batteriet
  - 5a. Låt inte batteripolarna komma i kontakt med ledande material.
  - 5b. Placera inte batteriet i samma behållare med andra metallföremål som spikar, mynt etc.
  - 5c. •Lägg inte batteriet i vatten och utsätt inte det för regn.
  - 5d. En kortslutning i batteripaketet skapar en hög ström som kan orsaka överhettning och kan leda till brand eller till och med brott.
6. Placera inte verktyget och batteripaketet där temperaturen kan nå eller överstiga 50 ° C (122 ° F).
7. Bränn inte batteriet, även om det är allvarligt skadat eller helt slitet. Batteripaketet exploderar i elden.

8. Slå eller släpp inte batteriet
9. Använd inte ett skadat batteri
10. Litiumjonbatterier som medföljer detta verktyg ska uppfylla kraven för farligt gods. Vid utförande av kommersiell transport, som tredje part eller omlastningsagent, måste särskilda krav för förpackning och märkning följas. Konsultera proffs för farlig produkt för att förbereda för transportprojekt. Var uppmärksam på eventuellt mer detaljerade nationella lagar och förordningar.
11. Använd tejp för att skydda kontaktinformationen på ytan och kapsel i batteriet ordentligt så att batteriet inte är rörligt i förpackningen.
12. Följ lokala bestämmelser för bortskaftande av använda batterier.
13. Använd endast batteriet för den angivna produkten från WARRIOR ECO. Att sätta in batteriet i en inkompatibel produkt kan leda till brand, överhettning, explosion eller läckage av elektrolyt

Förvara denna manual på ett säkert ställe för framtida referens.

### VARNING

#### Använd endast originalbatterier från WARRIOR ECO.










Användning av ett icke-WARRIOR ECO originalbatteri eller modifierat batteri kan leda till brand, personskador eller egendomsskador på produkten. Samtidigt upphör garantin för verktyg och laddare för WARRIOR ECO.

Tips för att upprätthålla batteriets maximala livslängd.

1. Ladda batteriet i tid innan det är helt urladdat. När batteriets ström är låg, stäng av gräsklipparen och ladda batteriet.
2. Ladda inte ett fulladdat batteri
3. Överladdning förkortar batteriets livslängd
4. Ladda batteriet vid rumstemperatur mellan 10 ° C och 40 ° C (50 ° F - 104 ° F). Ladda det heta batteriet efter kylning.
5. Om batteripaketet inte används i mer än tre månader, ladda det.

## SYMBOLER

Vissa av följande symboler kan användas på den här produkten. Studera dem och lär dig deras betydelse. Korrekt tolkning av dessa symboler gör att du kan använda produkten bättre och säkrare.

SYMBOL	MEANING
	Warning / Advertencia / Varning
	Läs och följ alla säkerhetsåtgärder i bruksanvisningen. Underlåtenhet att följa instruktionerna kan leda till allvarlig personskada.
	Skyddsglasögon / visir, skyddshjälm och hörselskydd
	Utsätt inte för regn.
	Rrikoschett
	Säkerhetshandskar
	Class II Construction. Dubbelisolerad konstruktion.
	Vasst blad
	Håll åskådare borta

Följande signalord och betydelse är avsedda att förklara risknivån förknippad med denna produkt.

### FARA

DANGER indicates a hazardous situation which, if not avoided, will result in death or serious injury.

### VARNING

WARNING indicates a hazardous situation which, if not avoided, could result in death or serious injury.

### FÖRSIKTIGHET

CAUTION indicates a hazardous situation which, if not avoided, could result in minor or moderate injury.

### FÖRSIKTIGHET

(Without Safety Alert Symbol) Indicates a situation that may result in property damage.

# MONTERING

## ⚠ VARNING

Innan du utför något monteringsarbete på gräsklipparen, måste du ta bort säkerhetsnyckeln och batteripaketet. Om säkerhetsnyckeln och batteripaketet inte tas bort kan det orsaka en oväntad start, vilket kan leda till allvarlig personskada.

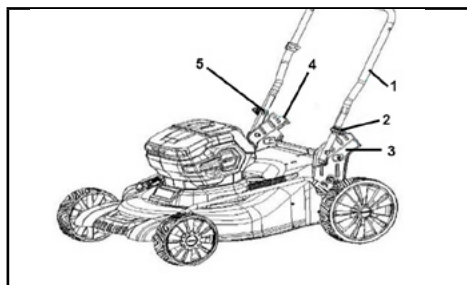
## ⚠ VARNING

Gräsklipparen kan endast startas efter en komplett montering. Delmontering kan orsaka allvarlig personskada på grund av oavsiktlig aktivering.

### För att montera handtaget

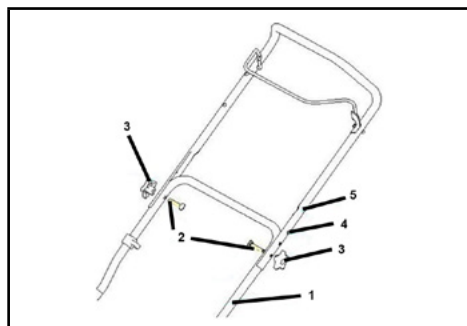
Obs! När du monterar i handtaget ska du inte klämma fast ledningarna mellan handtagen. Om ledningen är trasig kanske gräsklipparens brytare inte fungerar..

1. Expandera det undre handtaget, vrid det undre handtaget och justera vredsokolonnen med ett av hålen på vänster och höger sida. Vrid på rattskyddet efter inställningen för att förlänga rattskolumnen för att fastna i hålet på vänster och höger anslutningsplattor



1. Nedre handtaget 2. Knoppskydd 3. Vänster anslutningsplatta 4. Höger anslutningsplatta 5. Rattskolumn

2. Rikta in hålen i det nedre och övre handtaget, sätt in bulten från insidan och dra åt den plommonformiga muttern från utsidan.

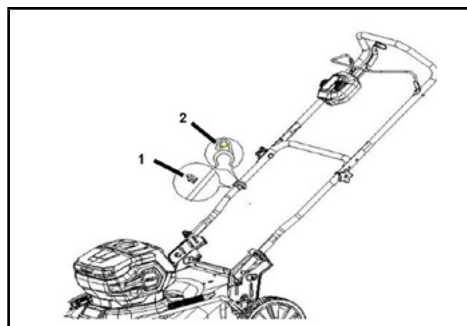


1. Nedre handtaget 2. Sadelbult  
3. Plommonformad mutter 4. Hål 5. Övre handtag

## ⚠ FÖRSIKTIGHET

Ta tag i det övre handtaget för att förhindra att gräsklipparen glider ut ur handen. Annars kan handtaget falla och orsaka personskada.

3. Sätt i kabelklämma i det nedre handtaget Placera ledningarna enligt bilden.

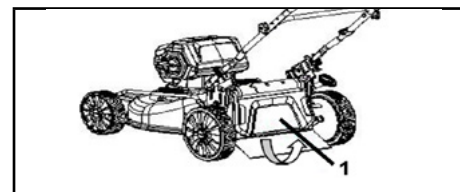


1. Sifon nedan 2. Kabelklämma

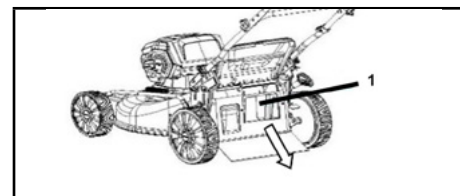
Obs: När du monterar kabelklämma, se till att fixera kabeln med konsolen som visas på bilden.

### För att ta bort mulchkilen

1. Öppna det bakre locket.



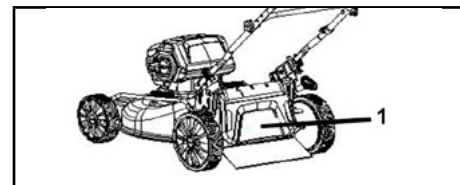
1. Bakre lock  
2. Håll i handtaget på mulchkilen och dra ut den med lite kraft.



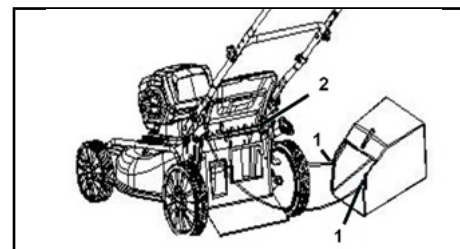
1. Böjande kil

### För att montera gräsupsamlaren

1. Öppna det bakre locket.



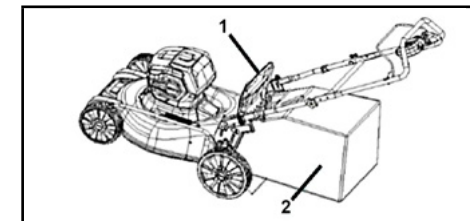
1. Bakre lock  
2. Häng gräskroken på gräsklipparens bakre skaft som visas på figuren.



1. Gräskrok 2. Bakre täckaxel

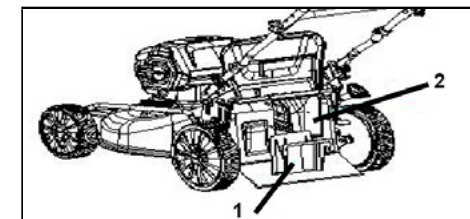
### För att sätta ihop mulchkilen

1. Öppna det bakre locket och ta bort gräset.



1. Bakre lock 2. Gräshållare

2. Håll i mulchkilen och tryck den i den riktning som visas, tryck på den tills den slutar och du hör ett klick.

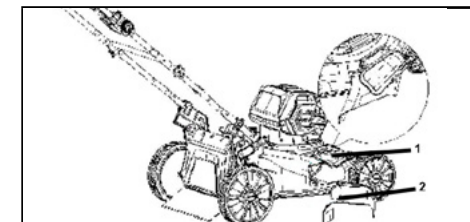


1. Böjande kil 2. Mulching kilmonteringsport

Obs: Se till att det bakre höljet ovanför gräspattan vänder nedåt och klämma fast gräspåsehållaren. annars kan gräset inte hämta det skärande gräset.

### För att montera sidosprutningen

1. Öppna sidoskyddet och sätt in sidoutkastet i enlighet med riktningen i diagrammet så att skåran på sidoutkastet bara knäpps in i sidoskyddet.



Sidoskydd 2. Sidoutkastning

SE

1. Bakre lock 2. Gräshållare **Sätta i eller ta bort batteriet**

**⚠ FÖRSIKTIGHET**

**Stäng alltid av klipparen innan du sätter i eller tar bort batteripaketet.**

Håll verktyget och batteripaketet ordentligt när du sätter i eller tar bort batteriet. Annars kan de glida ur dina händer. Det kan orsaka skador på verktyg och batteripaket och till och med personskada..

Var noga med att låsa batterilocket före användning för att förhindra att smuts, damm eller vatten tränger in i batteriet. De kan skada produkten eller batteriet..

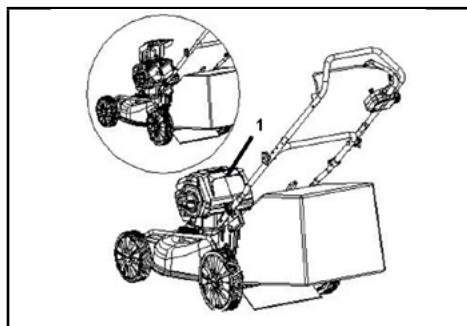
Se till att sätta i batteriet helt tills du inte kan se den röda indikatorn. Annars kan det av misstag falla ur verktyget och orsaka personskador på dig själv eller andra..

Tvinga inte in batteripaketet. Om batteripaketet är svårt att sätta i, kan det sättas in felaktigt..

*Obs! När bara ett enda batteri är isatt kan verktyget också fungera korrekt.*

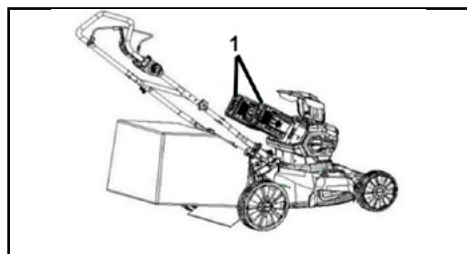
**Sätt i batteriet**

1. Lyft batterilocket och öppna batterilådan



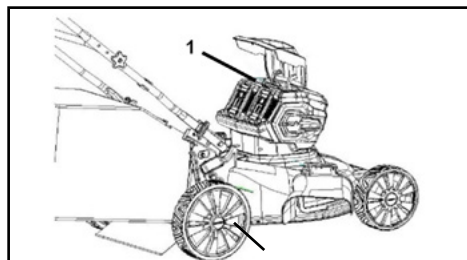
1. Batterilock

2. Rikta in batterispelet med ribborna i batterilådan och skjut batteripaketet tills batteripaketet är låst och du hör ett klick



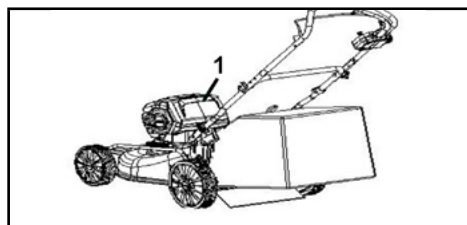
1. Batteripaket

3. Sätt i säkerhetsnyckeln till slutet i det visade läget.



1. Säkerhetsnyckel

4. Stäng batteriluckan.



1. Batterilock

**Ta bort batteripaketet från gräsklipparen**

1. Öppna batterilocket,
2. Tryck på knappen i mitten av batteripaketet och dra samtidigt batteripaketet ur verktyget,
3. Ta bort säkerhetsnyckeln,
4. Stäng batteriluckan

**Verktygs- / batterisäkerhetssystem**

Denna gräsklippare är utrustad med ett verktyg / batterisäkerhetssystem. Systemet kan automatiskt stänga av motorns strömförsörjning för att förlänga

livslängden på verktyg och batterier. När verktyget fungerar kommer verktyget automatiskt att sluta gå om verktyget eller batteriet är i följande situationer.

**Överbelastningsskydd**

När batteriet används på ett sådant sätt att det orsakar en onormalt hög ström kommer gräsklipparen automatiskt att sluta gå och batteriindikatorn blinkar grönt. I detta fall stäng av gräsklipparen och avbryt driften som orsakade överbelastningen. Slå sedan på gräsklipparen för att starta om.

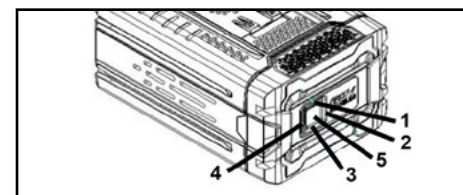
**Överhettningsskydd**

När gräsklipparen eller batteriet överhettas stannar verktyget automatiskt och batterilampan lyser rött. I så fall vänta tills de blir svala innan du slår på gräsklipparen.

**Utsläppsskydd**

När batterinivån är låg slutar gräsklipparen automatiskt att gå och huvudströmindikatorn blinkar rött. Ta i så fall ut batteriet ur gräsklipparen och ladda det eller byt ut det fulladdade batteriet.

**För att visa återstående batterikapacitet**



**1. LEDs 2. (Visa) -knappen**

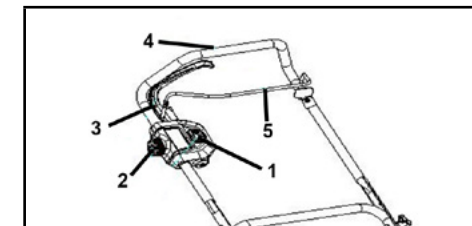
Tryck på (Visa) -knappen på batteripaketet för att visa återstående batterikapacitet. Indikatorn tänds i några sekunder

indikator	Batteri status
LED1, LED2, LED3, LED4 är tända	75% to 100%
LED1, LED2, LED3 är tända LED4 är inte tänd	50% to 75%
LED1, LED2 är tända LED3, LED4 är släckta	25% to 50%
LED1 är tänd LED2, LED3, LED4 är släckta	0% to 25%
LED1, LED2, LED3, LED4 blinkar samtidigt	Lågt batteri, måste laddas omedelbart

*Obs: Batteriets ström som visas i indikatorlampan kan skilja sig något från den faktiska situationen under olika driftsförhållanden och omgivningstemperatur*

**Kontrollpanel**

Huvudströmbrytaren, självgående utlösare och självgående hastighetsjusteringsbrytare finns på kontrollpanelen.



1. Lås av knappen 2. Varvtalsreglage 3. Självgående trigger 4. Övre handtag 5. Motorbromshandtag

SE

**Växla**

**⚠ VARNING**

Innan du sätter i batteriet måste du kontrollera om motorbromshandtaget kan dras fritt och återgå till sitt ursprungliga läge när det släpps. Om omkopplaren inte fungerar korrekt kan det leda till att verktyget tappar kontrollen eller allvarlig personskada.

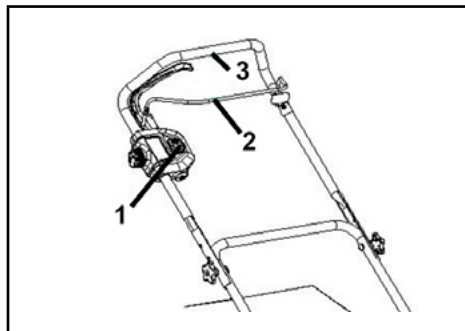
*Obs: När låsknappen inte trycks in startar gräsklipparen inte ens om motorbromshandtaget har dragits.*

*Obs! Om du försöker klippa långt eller för tätt gräs på en gång kan det orsaka att klipparen inte startar på grund av överbelastning. Öka i så fall klipphöjden.*

Gräsklipparen är utrustad med en spärrbrytare och en handtagsknapp. Om du märker några avvikelser i dessa brytare ska du omedelbart avbryta driften och ta verktyget till närmaste WARRIOR ECO-auktoriserade servicecenter för inspektion.

1. Sätt i batteripaketet och säkerhetsnyckeln och stäng batterilocket.
2. ryck på låsknappen och släpp den.
3. Ta tag i det övre handtaget och dra i motorbromshandtaget





1. Lås av knappen 2. Motorbromshandtag 3. Övre handtag

- När motorn börjar gå fortsätter gräsklipparen att gå tills du släpper motorbromshandtaget
- Släpp strömbrytaren så att motorn stannar.

Obs: Om säkerhetsknappen inte är insatt startar inte motorn när man trycker på brytaren.

## Självgående trigger

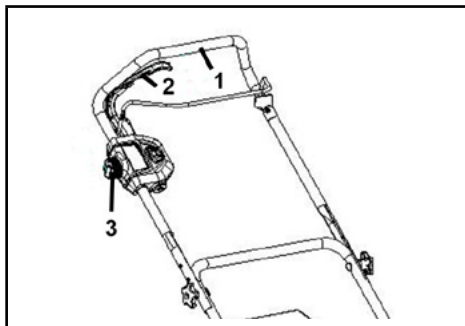
### ⚠ VARNING

Innan du sätter i batteriet måste du kontrollera om den självgående utlösaren kan tryckas fritt och återgå till sitt ursprungliga läge när den släpps. Om brytaren på verktyget inte fungerar korrekt kan det orsaka att verktyget tappar kontrollen eller allvarlig personskada.

Sätt i batteripaketet och säkerhetsnyckeln och stäng batterilocket.

- Tryck på den självgående utlösaren så att gräsklipparen kan gå framåt.
- Vrid hastighetsreglaget för att justera hastigheten på gräsklipparen. Vredet roterar medurs, hastigheten ökar, vredet roterar moturs och hastigheten saktar ner

Obs: Självgående hastigheten kan justeras mellan 0 och 1,2 m / s.



1. Övre handtag 2. Självgående trigger 3. Varvtalsreglage

## Justera klipphöjden

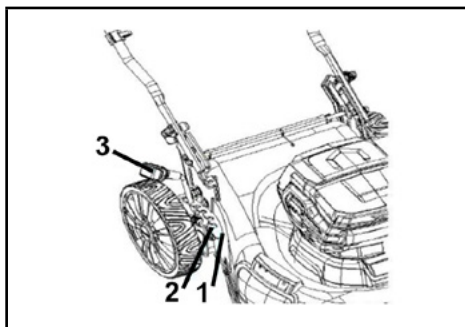
### ⚠ VARNING

Placera aldrig händer och ben under gräsklipparen när du justerar klipphöjden.

Se till att klipphöjdshandtaget är korrekt placerat i spåret före användning.

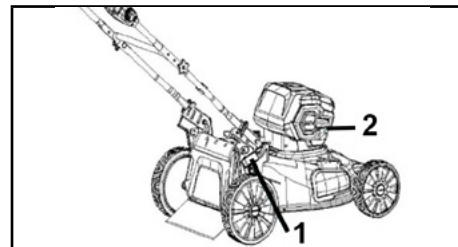
Vrid ratten på båda sidor till ta bort rattstången från hålet

Ta bort säkerhetsnyckeln och dra klipphöjdshandtaget mot gräsklipparens utsida och flytta den till önskad klipphöjd



1. Tandplatta 2. Tandplåtspår

Den ena handen håller gräsklipparens motorhus, och den andra handen flyttar klipphöjdshandtaget..



1. Klipphöjdshandtag 2. Motorhus

Obs: Klipphöjden kan endast användas som referens. Gräsmattans och markens tillstånd gör att gräsmattan är något annorlunda än den inställda höjden.

Obs: Utför en testskärning i ett osynligt läge för att få önskad klipphöjd.

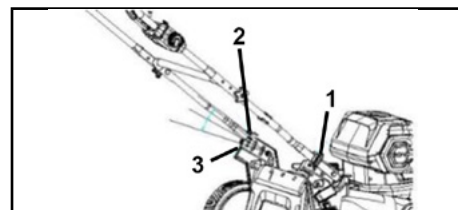
To adjust the height of handle

### ⚠ FÖRSIKTIGHET

Håll alltid i det övre handtaget innan du tar bort bulten. Annars kan handtaget falla och orsaka personskada

Höjden på det nedre handtaget kan justeras i tre lägen.

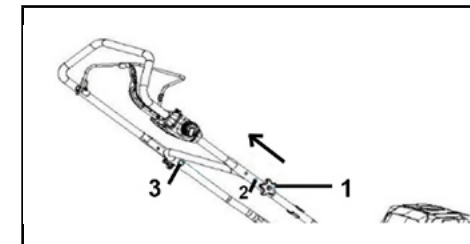
- Vrid ratten på båda sidor till ta bort rattstången från hålet.



1. Knoppskydd 2. Rattkolumn 3. Hål

- Justera höjden på handtaget.
- När du har fixat höjden, vrid ratten igen för att fixera ratten i motsvarande hål
- Höjden på det övre handtaget kan justeras i tre lägen.

Höjden på det övre handtaget kan justeras i tre lägen.



1. Plommonformad mutter 2. Hål 3. Sadelbult

Ta bort plommonmuttern och flytta det övre handtaget till önskad höjd och fixera muttern.

### För att använda mulchkilen

Den mulcherande kilen kommer att återge de skärande gräsklippningarna till marken utan att samla dem till gräset. Avlägsna alltid gräset när du använder mulchkilen.

### Elektroniska funktioner

#### Denna gräsklippare är utrustad med elektroniska funktioner för att förbättra användarvänligheten

- Konstant hastighetskontroll Elektronisk hastighetskontroll håller hastigheten konstant. Även vid lasten kan rotationshastigheten hållas konstant så att en god klippeffekt kan uppnås
- Mjuk start Soft start-funktionen minimerar vibrationer under uppstart och gör att gräsklipparen kan börja smidigt.

## DRIFT

### För att klippa gräs

#### ⚠ VARNING

Ta bort grenarna och stenarna från arbetsområdet innan du börjar klippa. Dessutom måste ogräs i arbetsområdet tas bort i förväg.

Bär alltid skyddsglasögon eller skyddsglasögon med sidokåpor innan du använder gräsklipparen.

#### ⚠ FÖRSIKTIGHET

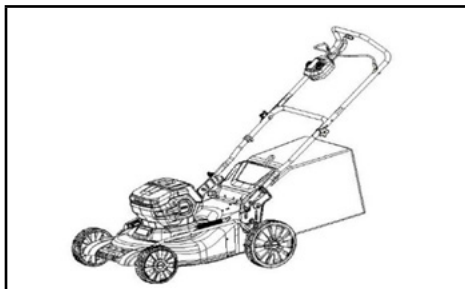
Om gräsklippningarna eller främmande föremål täpper in gräsklipparen på insidan, se till att ta bort säkerhetsnyckeln och batteripaketet och bära handskar innan du tar bort gräsklippningarna och främmande föremål.

*Obs: Denna gräsklippare används bara för att klippa gräsmattan. Använd inte det för att klippa ogräset.*



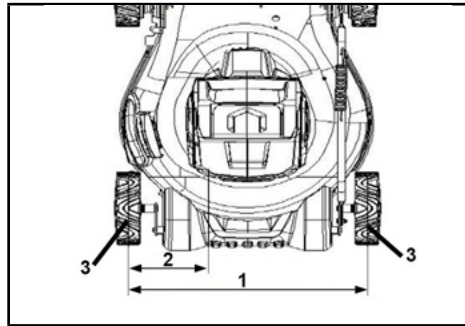
Se till att hålla den övre pusheren ordentligt med båda händerna när du klipper gräsmattan.

Klippastigheten rekommenderas att vara ungefär 1 meter var fjärde sekund.



Framhjulens mittlinjer används som referenslinje för

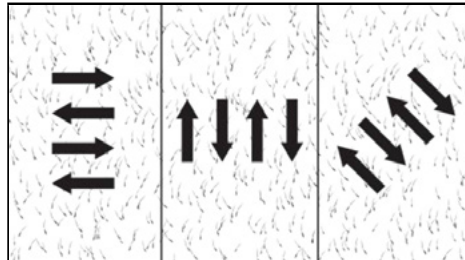
skärbredden. Lång bandskärning utförs med hänvisning till dessa två mittlinjer. När du klipper nästa remsa kan du fortsätta från 1/2 till 1/3 av den sista skärbredden för att klippa gräsmattan jämnt.



1. Skärbredd 2. Överlappande område 3.

#### Mittlinjer

Ändra riktningen en gång för varje skärning för att förhindra att gräsmattan fixeras i en riktning.



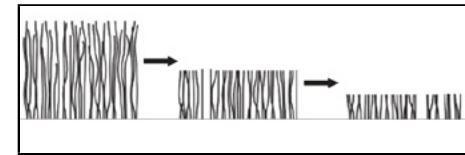
Kontrollera gräshållaren regelbundet. Tom innan den är full.

Stäng alltid gräsklipparen och ta bort säkerhetsnyckeln och batteripaketet före varje regelbunden inspektion.

*Anmärkning: Om du använder klipparen med fullt gräs kommer bladet att rotera och öka belastningen på motorn, vilket kan göra att gräsklipparen skadas.*

#### För att klippa längre gräs

Försök inte klippa längre gräs på en gång. I stället klippa gräsmattan i steg. Det kan klippas en eller två dagar tills gräsmattans höjd är densamma.



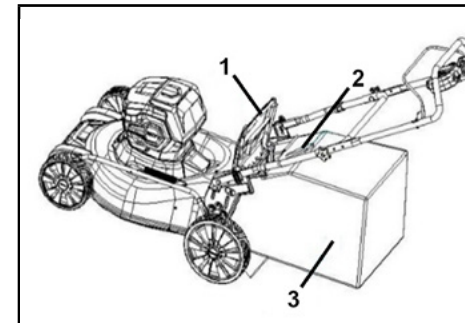
Obs: Att klippa längre gräs på en gång kan leda till att gräs visnar. Gräsklippningarna kan också blockera gräsklipparens insida.

#### To empty the grass catcher

#### ⚠ VARNING

För att minska risken för olyckor, kontrollera gräset regelbundet för skador eller styrka.

1. Byt ut det vid behov. Släpp brytaren
2. Ta bort säkerhetsnyckeln.
3. Öppna det bakre locket och håll i handtaget för att ta bort gräset.
4. Töm gräset



1. Bakre lock 2. Hantera 3. Gräshållare

## UNDERHÅLL

#### ⚠ VARNING

Ta alltid bort säkerhetsnyckeln och batteripaketet innan du förvarar, transporterar, kontrollerar eller underhåller.

När gräsklipparen inte används ska du ta bort säkerhetsnyckeln. Förvara säkerhetsnyckeln på ett säkert ställe och håll den borta från barn.

Använd handskar vid inspektioner och underhåll.

Bär alltid skyddsglasögon eller skyddsglasögon med sidokåpor under inspektioner eller underhåll.  
ARNING:

*Obs: Använd inte bensin, bensen, tunnare, alkohol för att rengöra gräsklipparen, annars kan det leda till missfärgning, deformation eller skador.*

För att säkerställa produktens säkerhet och tillförlitlighet måste reparationer, annat underhåll eller justeringar utföras av en WARRIOR ECO-auktoriserad eller fabrikservicecenter. Använd alltid reservdelar till Warrior ECO.

1. Ta bort säkerhetsnyckeln och batteripaketet och stäng batterilocket.
2. Vänd gräsklipparen åt sidan, ta bort gräsklippningarna som samlats in i gräsklipparens baffel.
3. Spola mot gräsklipparen med botten.

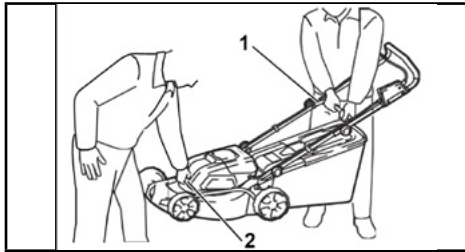
#### ⚠ FÖRSIKTIGHET

Tvätta inte den med högtryckstvätt.

4. Kontrollera och se till att alla muttrar, bultar, vred, skruvar och fästen är ordentligt fixerade.
5. Kontrollera rörliga delar för skador, brott och slitage. Skadade eller förlorade delar ska repareras eller bytas ut.
6. Förvara gräsklipparen på ett säkert ställe som inte är tillgängligt för barn.

#### Transport

WNär du bär gräsklipparen, håll i det främre handtaget och det nedre handtaget av två personer, som visas på figuren

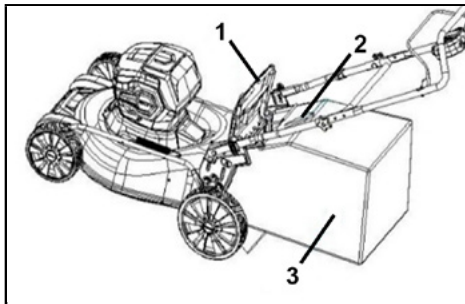


1. Nedre handtaget 2. Främre handtag

**Lagring**

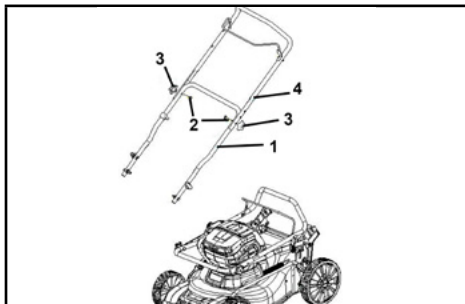
Förvara gräsklipparen på en sval, torr och låst plats. Förvara inte gräsklipparen och laddaren på platser där temperaturen kan nå eller överstiga 40 ° C (104 ° F) Öppna det bakre locket och håll i handtaget för att ta bort gräset.)

1. Open the rear cover and hold the handle to remove the grass catcher.



1. Bakre lock 2. Hantera 3. Gräshållare

1. Lossa muttern och vik det övre handtaget



1. Nedre handtaget 2. Sadelbult

2. Plommonblommamutter 4. övre handtaget

**För att sätta ihop eller montera skärbladet**

**⚠ VARNING**

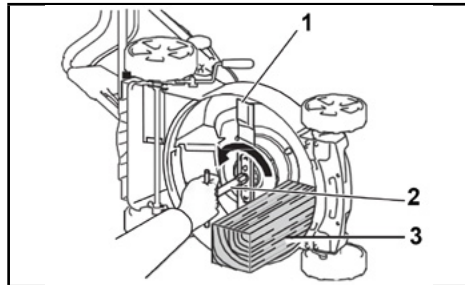
När du sätter ihop eller sätter ihop ett blad måste du ta bort säkerhetsnyckeln och batteripaketet först. Om säkerhetsnyckeln och batteriet inte tas bort kan det leda till allvarlig personskada.

Bladet kommer fortfarande att rotera i några sekunder efter det att brytaren släppts. Gör aldrig något innan det slutar helt.

Använd alltid handskar när du hanterar bladet.

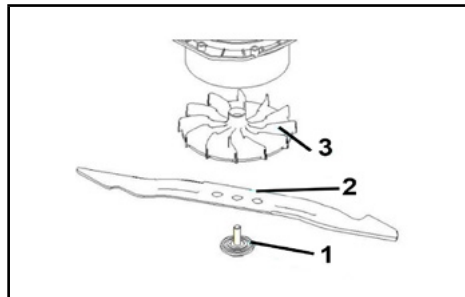
**För att sätta ihop gräsklipparens skärblad**

1. Vrid gräsklipparen till sidan så att Kliphöjdsjusteringshandtaget är på översidan.
2. Sätt i ett träved eller liknande i gräsklipparen för att låsa bladet.
3. Vrid skruven moturs med en skiftnyckel



1. Skärblad 2. Rycka 3. Träblock

4. Ta ur bladskruven, 19-tumsbladet och vindbladet i tur och ordning.



1. Bladskruv 2. 19 tum blad 3. Vindblad

**För att sätta ihop gräsklipparens skärblad**

För att montera skärbladet, följ de omvända stegen som vid demontering.

**⚠ VARNING**

Var försiktig när du monterar bladet. Se till att den har rätt övre / nedre orientering. När du monterar bladet, gör pilen i rotationsriktningen utåt.

Dra åt bultarna medurs för att säkra bladet.

Se till att bladet och alla fästen är ordentligt monterade och ordentligt fästade.

Följ alltid anvisningarna i manualen när du byter ut bladet.

**Rengöring**

1. Torka av gräsklipparens utsida med en torr, mjuk trasa. Slang inte ner eller tvätt med vatten.
2. Skrapa skyddet för att ta bort torkade urklipp och lera.
3. Borsta eller blåsa ut damm, skräp och gräsklipp ur lufthålen. Håll dem fria från hinder.

**BATTERILADDARE**

**SPECIFIKATIONER**

Laddare: C8360/C8362

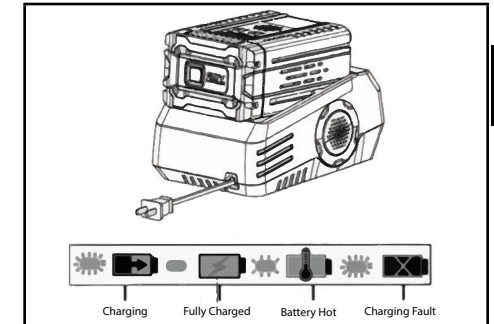
Inmatning: 120-240VAC, 50/60Hz, Max.3A

utmatning: 63VDC. Max.4.5A

tyngd: 2.6 lbs (1.2kg)

**LADDNINGSFÖRFARANDE**

**Observera:** Batteriet levereras inte fulladdat. Det rekommenderas att ladda helt före första användningen för att säkerställa att maximal körningstid kan uppnås. Detta litiumjonbatteri kommer inte att utveckla ett minne och kan laddas när som helst.



LED STATUS	DESCRIPTION
Blinkning Gron	Laddning
Solid Gron	Fulladdad
Solid Röd	Stå vid makten
Blinkning Röd(quick)	Laddningsfel
Blinkning Röd (slow)	Över temperatur

**Låg spänning laddning:**

Om batteriet har lagrats med lite till ingen laddning under en lång tid, laddaren går i återställningsläge, vilket tar mer tid att ladda batteriet helt. Detta kommer att förbättra batteriets livslängd. När den är fulladdad återgår nästa laddning till standardladdning.

Ett helt urladdat batteri kräver den tilldelade tiden som anges i batterihandboken. Anslut laddaren till ett vägguttag.

Sätt i batteriet i laddaren.

Detta är en diagnostisk laddare. Laddarens LED-lampor tänds i specifik ordning för att kommunicera aktuell batteristatus

Felaktig anmärkning:

När batteriet sätts in i laddaren och statusindikatorn blinkar RÖD, ta bort batteriet från laddaren i 1 minut och sätt sedan in den igen.. Om status-LED blinkar GRÖN, laddar batteriet ordentligt. Om statuslampan fortfarande blinkar RÖD, ta bort batteriet och koppla ur laddaren i 1 minut. Koppla in laddaren efter 1 minut och sätt i batteriet igen. Om status-LED blinkar GRÖN, laddar batteriet ordentligt. Om statuslampan fortfarande blinkar RÖD, är batteriet defekt och måste bytas ut.

#### Kontrollera laddningen

Om batteriet inte laddas ordentligt:

Kontrollera strömmen vid eluttaget med ett annat verktyg. Se till att uttaget inte är avstängt.

Kontrollera att laddarkontakterna inte har kortslutits med skräp eller främmande material.

Om lufttemperaturen är över 104 ° F eller under 45 ° F, flytta laddaren och batteripaketet till en rumstemperaturplats.

#### VARNING

Om batteriet sätts in i laddaren när det är varmt eller varmt kan lampan CHARGING LED på laddaren tändas och tänds RÖD. Om detta inträffar låt batteriet svalna inuti laddaren i upp till 30 minuter. Laddningen bör starta automatiskt när batteriet har svalnat.

#### LADDARE MONTERING

1. Denna laddare kan installeras hängande på en vägg med två # 8 skruvar (ingår inte).
2. Leta reda på placeringen för laddaren som ska monteras på väggen.
3. Använd fyra skruvar (ingår ej) om du fäster på träbultar.
4. Borra två hål på mitten 5,5 tum. Bortsett från att se till att de är vertikalt i linje.
5. Använd väggankare (ingår ej) och skruvar för att fästa laddaren på väggen vid fästning på gipsvägg.

Observera: Om batteriet och laddaren inte kommer att användas på länge tar du bort batteriet från laddaren och drar ut nätkontakten.

Batteripaket

- Förvara batteriet helt laddat.
- När laddningslampan blir grön tar du bort batteriet från laddaren.
- Förvara inte batteriet på verktyget.
- Efter laddning kan batteriet förvaras i laddaren så länge laddaren inte är ansluten.

Laddareunderhåll

- Håll laddaren ren och fri från skräp. Låt inte främmande material komma in i det försänkta hålrummet eller på kontakterna. Torka av laddaren med en torr trasa. Använd inte lösningsmedel eller vatten och placera inte laddaren under våta förhållanden.
- Koppla ur laddaren när det inte finns något batteripaket i den.
- Ladda batterierna helt innan de placeras i förvaring.
- Förvara laddaren vid normal rumstemperatur. Förvara den inte på överdriven värme. Använd inte laddaren i direkt solljus. Ladda upp vid rumstemperatur mellan 7 ° C och 40 ° C. Om batteriet är varmt, låt den svalna innan den laddas upp.

## MILJÖSÄKERT BATTERIERFÖRSLAG

#### VARNING

Följande giftiga och frätande material finns i batterierna som används i denna fläkt  
Batteripaket: Litium-ion, ett giftigt material..

#### VARNING

Alla giftiga material måste kasseras på ett specificerat sätt för att förhindra kontaminering av miljön. Innan du bortskaffar skadade eller slitna litium-ion-batteripaket, kontakta ditt lokala avfallsföretag eller den lokala miljöskyddsbyrån för information och specifika instruktioner. Ta batterierna till ett lokalt återvinnings- och / eller bortskaffningscenter, certifierat för litiumjonborttagning.

#### VARNING

Om batteripaketet spricker eller går sönder, med eller utan läckor, ladda inte upp det och använd det inte. Ta bort det och ersätt det med ett nytt batteri.

#### PRÖV INTE ATT REPARERA DET

För att undvika skador och risk för brand, explosion eller elektrisk stöt och för att undvika skador på miljön:

- Täck batteriets plintar med tung tejp
- Försök INTE ta bort eller förstöra någon av batteriets komponenter.
- Försök INTE öppna batteriet.
- Om en läcka utvecklas är de frigjorda elektrolyterna frätande och giftiga. Få INTE lösningen i ögonen eller på huden och svälj inte den.
- Placera INTE dessa batterier i ditt vanliga hushållsavfall.
- Förbränna INTE.
- Placera INTE dem där de kommer att bli en del av någon deponi för kommunalt fast avfallsström.
- Ta dem till ett certifierat återvinnings- eller bortskaffningscenter.

## FELSÖKNING

Problem	Möjliga orsaker (misslyckanden)	Felsökning
Motorn går inte.	Drivsystemet fungerar inte korrekt.	Begär det lokalt auktoriserade underhållsservicecentret för att utföra underhåll.
	Batterifel (Underspanning)	Ladda batteriet. Om laddningen inte är giltig, byt ut batteriet.
	Säkerhetsnyckel inte isatt	Sätt i säkerhetsnyckeln
Motorn körs inte efter en tids användning.	Låg batterikraft	Ladda batteriet. Om laddningen inte är giltig, byt ut batteriet.
	Klipphöjden är för låg.	Höj höjden.
Motorn når inte maximal hastighet	Batteriet är inte ordentligt isatt.	Ladda batteriet. Om laddningen inte är giltig, byt ut batteriet.
	Låg batterikraft	Ladda batteriet. Om laddningen inte är giltig, byt ut batteriet.
	Drivsystemet fungerar inte korrekt.	Begär det lokalt auktoriserade underhållsservicecentret för att utföra underhåll.
Bladet roterar inte: Stäng av gräsklipparen omedelbart!	Bladet blockerades av främmande föremål (som kvistar eller gräs)	Ta bort främmande föremål.
	Drivsystemet fungerar inte korrekt.	Begär det lokalt auktoriserade underhållsservicecentret för att utföra underhåll.
Onormal vibration: Stäng av gräsklipparen omedelbart!!	Bladet är obalanserat, överdrivet eller ojämnt slitage.	Byt ut bladet
	Överdriven ansamling av grässkräp på bladet eller delvis intrassling av bladet	Ta bort grässkräp
LED-indikator för verktygsblixten 1-19 gånger, motorn startar inte	Fel på motorstyrenheten, eller över temperatur, låg batteri eller överbelastning etc.	<ol style="list-style-type: none"> <li>Släpp avtryckaren och starta om maskinen efter 3-5 sekunder; or</li> <li>avbryt operationen och kyla verktyget eller ladda batteriet, or</li> <li>Rengör däck och bladet för att ta bort grässkräp och främmande föremål</li> </ol>

## WARRANTY PAGE

## Returns

We offer a no quibble 30 day money back guarantee for all goods shipped correctly that are not required. The buyer will be responsible for the return postage and packing charges and any original shipping charges are non refundable. Goods should be returned in a condition suitable for resale and where possible should be returned in their original packaging.

Goods which are manufactured specifically for an order and shipped correctly are not returnable.

If the wrong item is received it is the responsibility of the buyer to notify us in writing within 7 days of receipt. Arrangements will then be made for the incorrect item to be collected and a replacement item to be dispatched

## Warranty

## Warranty Qualifications

We at Warrior understand the importance of warranty for service & repair, we offer a standard 3 Year (Tools Only) & 1 year (Battery Only) warranty without the need for registering your purchase.

Please view the limitations below and read the full T&C's about the warranty offered on a particular product.

All we require is the either a copy of the original proof of purchase or an invoice supplied from retailer at the time of purchase to enable the claim to be raised. Please keep your proof of purchase safe for the duration of your terms, in the unfortunate event you need our technical support we will ask for this to be provided on each claim, NO proof of purchase any warranty claim will be delayed or rejected.

Transportation charges on any product or part(s) submitted for repair or replacement under this warranty are the sole responsibility of the purchaser. This warranty only applies to the original purchaser and is not transferable.

Do Not Return the Unit to the Place of Purchase

Contact Technical Support and we will troubleshoot any issue via phone or e-mail. If the problem or issue is not resolved by this method, we will, at its option, authorise an evaluation, repair or replacement of the defective product, part(s) or component at our own Service Centre workshop. If and when an product has to be replaced in most cases it will be on a like for like basis not old for new. We will provide you with a case number for warranty service and this can be monitored through your login account. Please keep it for future reference. Repairs or replacements without prior authorization, or at an unauthorized repair facility, will not be covered by this warranty. We do have warranty exclusions for customers outside the United Kingdom please see our full T&C's.

## Warranty Exclusions

## THIS WARRANTY DOES NOT COVER THE FOLLOWING:

## NORMAL WEAR

Your product needs periodic parts and service to perform well. This warranty does not cover repair when normal use has exhausted the life of a part or the equipment as a whole.

## INSTALLATION, USE AND MAINTENANCE

This warranty will be voided and (or) not apply to parts or labour if your product is deemed to have been misused, neglected, involved in an accident, abused, overloaded beyond the limits, modified, installed improperly or connected incorrectly to any electrical component or system for battery charging. Normal period maintenance is not covered by this warranty.

## Other Exclusions

This warranty excludes:

- cosmetic defects such as paint, decals, stickers or accessory tools
- service parts including blades, string, chains, bars or bags
- any electrical component other than main control unit like fuses, connectors, dials, knobs or levers.
- failures due to acts of God and other force majeure events beyond the manufacturer's control
- problems caused by parts that are not original
- alteration or modification(s) made by any party other than the manufacturer
- any third party electrical equipment
- All batteries supplied Over 1 Year Old.

## Limits of Implied Warranty and Consequential Damage

BPE Holdings (Warrior Eco Power Equipment) disclaims any obligation to cover any loss of time, use of this product, freight, or any incidental or consequential claim costs by anyone using this product.

THIS WARRANTY IS IN LIEU OF ALL OTHER WARRANTIES, EXPRESS OR IMPLIED, INCLUDING WARRANTIES OF MERCHANTABILITY OR FITNESS FOR A PARTICULAR PURPOSE.

A unit provided as an exchange will be subject to the warranty of the original unit. The length of the warranty governing the exchanged unit will remain calculated by reference to the purchase date of the original unit. This warranty gives you certain legal rights which may change from country to country. Your country may also have other rights you may be entitled to that are not listed within this warranty.

## EC Declaration of Conformity

Supplier: Warrior Eco Power Equipment, Unit 17/18A Bradley Hall Trad Est, Standish,  
Wigan, WN6 0XQ, United Kingdom

<b>Certificate No.</b>	190400193/195HZH-001
<b>Equipment</b>	60V CORDLESS LAWN MOWER
<b>Model</b>	WEP82423M
<b>Serial Number</b>	

In accordance with the following directives:

<b>Directive 2006/42/EC</b>	The Machinery Directive
<b>Directive 2011/65/EU &amp; 2015/863</b>	The Restriction of use of Certain Hazardous Substances in Electrical and Electronic Equipment
<b>Directive 2014/30/EU</b>	The Electromagnetic Compatibility Directive and its Amendments 92/31/EEC and 98/13/EC

In accordance with article(s) and standards:

<b>EN 50636-2-100:2014,</b>	<b>EN 55014-1:2017</b>	<b>EN 62321-2:2014</b>
<b>EN 603351:2012+A11:2014+A13:2017</b>	<b>EN 55014-2:2015</b>	<b>EN 62321-3:2014</b>
<b>EN 60745-1:2009+A11:2010</b>	<b>EN 62233:2008</b>	
<b>EN 60745-2-13:2009+A1:2010</b>	<b>EN 62321-1:2013</b>	

I hereby declare that the equipment named above has been designed and manufactured to comply with relevant sections of the above referenced specifications. The products comply with the essential requirements of the relevant directives. This certificate is only valid for the product(s) and configuration described in conjunction with details test data and with all applicable legal requirements of this product.

X 

Paul Bimson  
Technical Manager

<b>Date:</b>	<b>10/03/2020 15:28</b>
<b>Issuing Country:</b>	<b>United Kingdom</b>



Winch Solutions Ltd  
Unit 17/18 Bradley Hall Trading Estate  
Bradley Lane  
Standish  
Wigan  
GREATER MANCHESTER  
UK  
WN6 0XQ