



**Safety and Use Manual**



**Manuel d'utilisation et de sécurité**

**Sicherheits- und Anwendungshandbuch**

**Istruzioni per l'Uso e la Sicurezza**

**Manual de Seguridad y del Usuario**

**Veligheids- en Gebruikershandleiding**

**安全と取扱説明書**

**Push Reel Lawn Mower**  
**Tondeuse à Gazon Manuelle**  
**Spindelrasenmäher**  
**Tagliaerba a Spinta**  
**Cortacésped de Empuje**  
**Handgrasmaaier**  
**ブッシュリール芝刈り機**  
**BOB15CKBM8, BOB15B5RY9**

<b>EN</b>	..... Page	2
<b>FR</b>	..... Page	15
<b>DE</b>	..... Seite	28
<b>IT</b>	..... Pagina	40

<b>ES</b>	.....Página	52
<b>NL</b>	.....Pagina	64
<b>日本語</b>	.....ページ	76

## 1. Important Safety Instructions



Read these instructions carefully and retain them for future use. If this product is passed to a third party, then these instructions must be included.

### **⚠ CAUTION**

When using hand-operated lawn mowers, basic safety precautions should always be followed to reduce the risk of personal injury, including the following:

- Keep children away – All visitors should be kept at a distance from work area.
- Do not operate the product while under the influence of alcohol or drugs.
- Dress properly – Do not wear loose clothing or jewelry. They can be caught in moving parts. Use of protective gloves and substantial footwear is recommended when working outdoors.
- Use right product – Do not use the product for any job except that for which it is intended.
- Do not force the product – The product will do the job better and with less likelihood of a risk of injury at the rate for which it was designed for.
- Do not overreach – Keep proper footing and balance at all times.
- Stay alert – Watch what you are doing. Use common sense. Do not use the product when tired.
- Store the product indoors – When not in use, the product should be stored indoors in dry, and in a high or locked-up place – out of reach of children.
- Maintain the product with care – Keep blades sharp and clean for best and safest performance.
  - Follow instructions for lubricating.
  - Keep handles dry, clean, and free from oil and grease.
- Keep hands and feet away from cutting area.
- Objects struck by the blade can cause severe injuries to persons. The lawn should always be carefully checked and cleared of all objects prior to each mowing.
- If the product strikes a foreign object, follow these steps:
  - Stop mowing.
  - Inspect for damage.
  - Repair any damage before restarting and using the product.
- Only use the product in daylight or good artificial light.
- Avoid holes, ruts, bumps, rocks, or other hidden hazards. Uneven terrain could overturn the product, or cause operator to lose their balance or footing.
- Do not direct discharge material toward anyone. Avoid discharging material against a wall or obstruction. Material may ricochet back toward the operator. Tilt the blade(s) when crossing gravel surfaces.
- Do not leave the product unattended. Always park on level ground.
- Do not mow in reverse unless absolutely necessary. Always look down and behind before and while backing.
- Slopes are a major factor related to accidents. Operation on slopes requires extra caution.

- ▶ Travel in the manufacturer recommended direction on slopes. Use caution while operating near dropoffs.
- ▶ Avoid mowing wet grass. Poor footing could cause a slip and fall accident.
- ▶ Do not use the product under any condition where traction, steering, or stability is in question.
- ▶ Avoid making sudden changes in speed or direction. Make turns slowly and gradually.
- ▶ Do not modify or attempt to repair the product except as indicated in the instructions for use and care.
- ▶ This product must be assembled by an adult.
- ▶ Do not over-tighten the fasteners.
- ▶ Keep children and pets away while assembling the product.

### **⚠ CAUTION Risk of injury!**

- ▶ Only accessories and attachments determined by manufacturer are acceptable for use with the product. Usage of any other accessory or attachment may increase the risk of injury!
- ▶ For BOB15CKBM8 model only: The grass catcher under normal usage is subject to deterioration and wear and should, therefore, be frequently checked for replacement. A replacement grass catcher should be checked for compliance with the original manufacturer's recommendations or specifications.

## 2. Intended Use

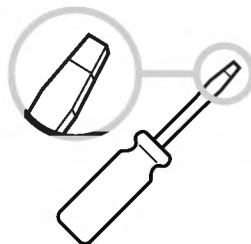
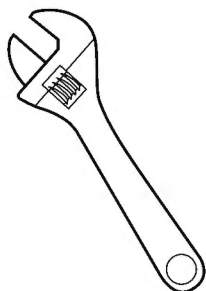
- ▶ This product is intended for mowing grass in home and gardening environments. It is primarily used to maintain small-scale, residential lawns and home/hobby gardens.
- ▶ This product is not intended to be used on rough or brush-covered terrain.
- ▶ This product is intended for private use only.

## 3. Assembly



For assembly instructions, refer to the provided assembly manual.

## 4. Tools Needed



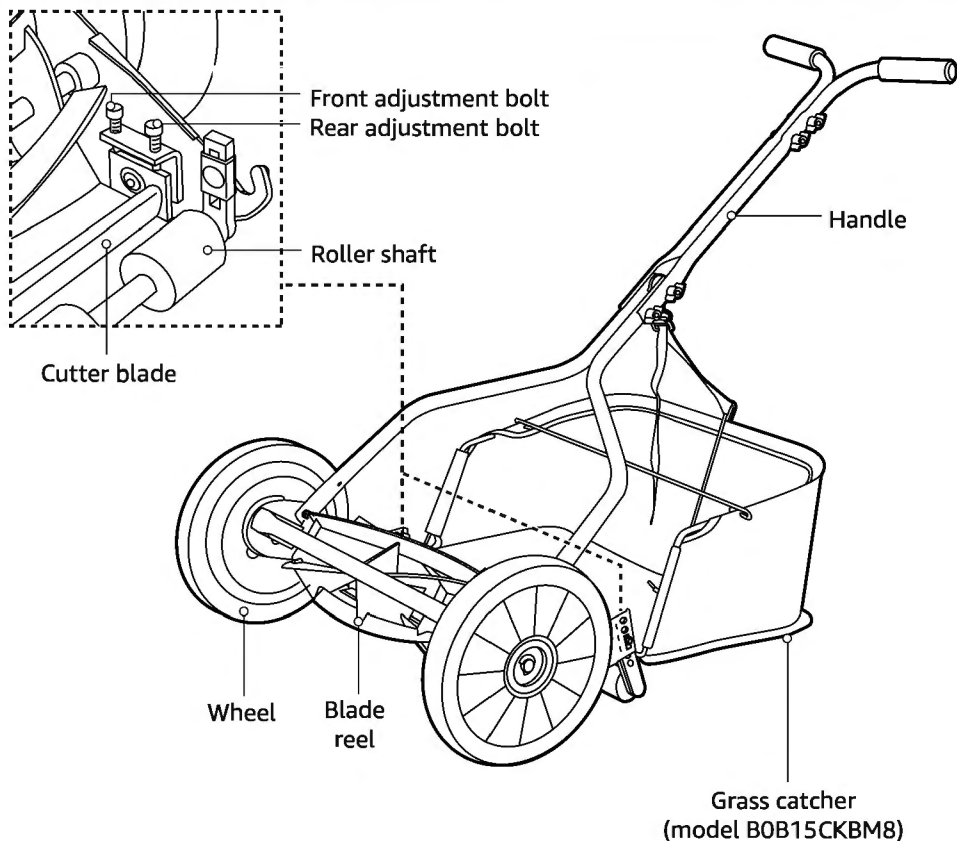
## 5. Before First Use

### **⚠ DANGER** Risk of suffocation!

Keep any packaging materials away from children and pets – these materials are a potential source of danger, e.g. suffocation.

- ▶ Remove all the packing materials.
- ▶ Remove and review all components before use.
- ▶ Check the product for transport damages.
- ▶ Do not use the product if it appears damaged.

## 6. Product Description

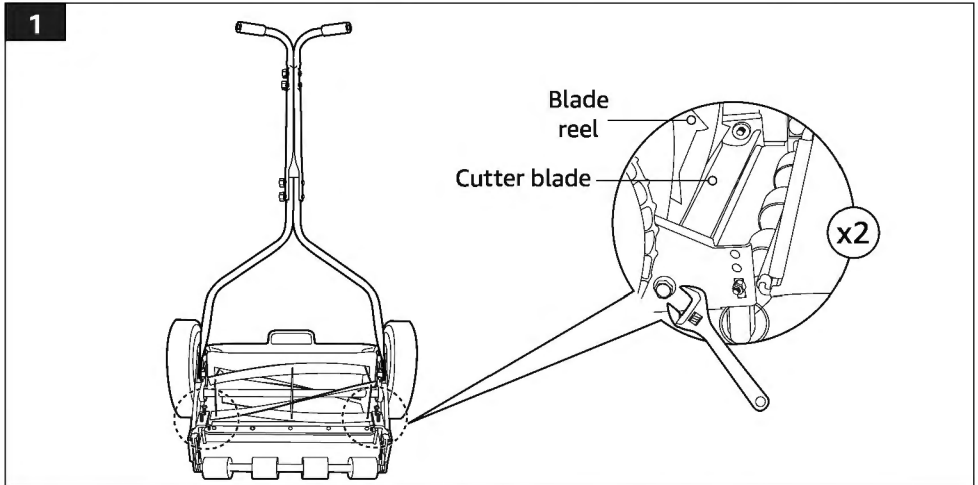


## 7. Blade Reel and Cutter Blade Adjustment

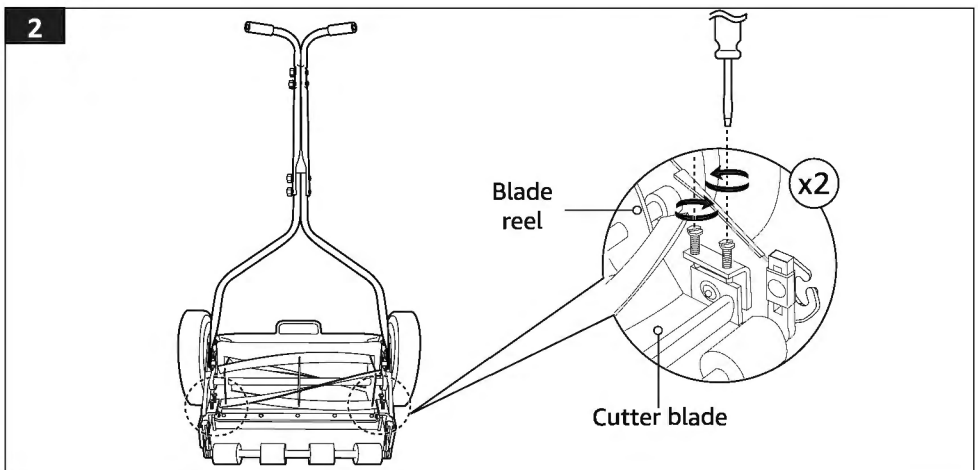
### **⚠ CAUTION** Risk of injury!

Always wear protective gloves when performing any cleaning or maintenance on the product, where the blade is located.

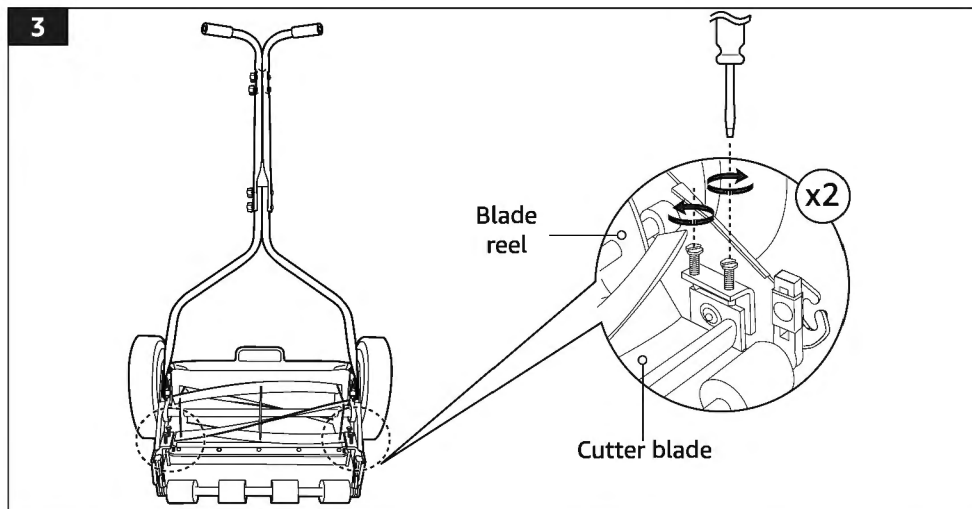
- ▶ Misalignment can occur resulting in blade reel being too loose or too tight. If this happens, you will notice a rough, uneven cut or that the product is hard to push.
- ▶ All adjustments are made from the rear of the product.
- ▶ To adjust the cutter blade, tighten or loosen the screws on the sides (Fig. 1).



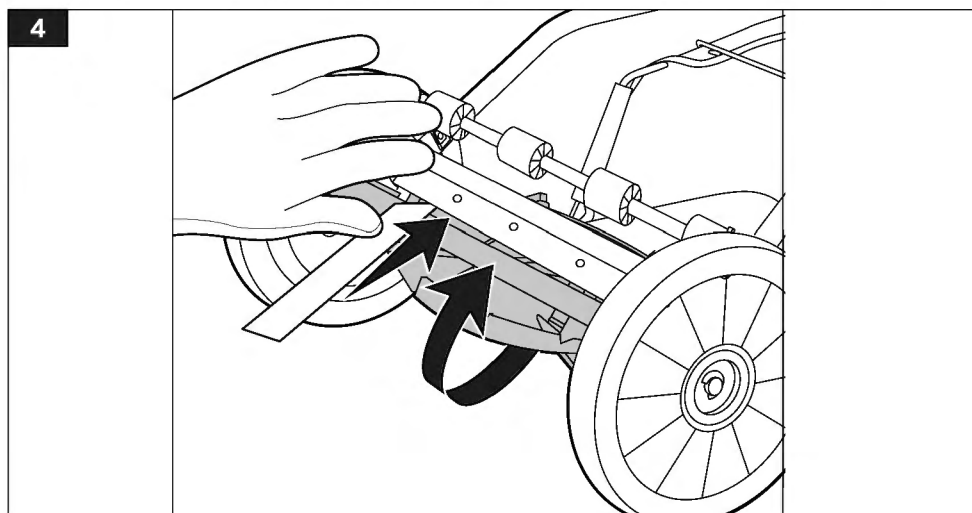
- ▶ To loosen the blade reel, loosen rear adjustment bolts on both sides equally by turning them counter-clockwise and tighten front adjustment bolts on both sides equally by turning them clockwise (Fig. 2). The cutter blade moves away from the blade reel.



- ▶ To tighten the blade reel, loosen front adjustment bolts on both sides equally by turning them counter-clockwise and tighten rear adjustment bolts on both sides equally by turning them clockwise. The cutter blade moves closer to the blade reel (Fig. 3).



- ▶ To check the adjustment, turn the lawn mower upside down. Wearing gloves, take a strip of paper and carefully turn the blade reel so that a blade cuts a small portion of the paper (Fig. 4). Repeat for all blades. Each blade should slice the paper evenly across the entire length of the cutter blade while the reel turns smoothly.

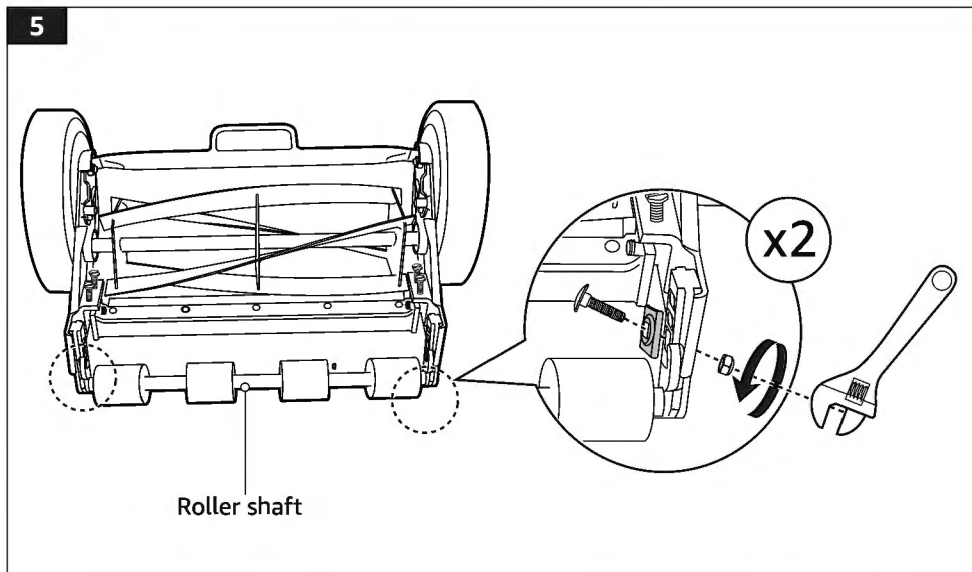


- ▶ If the product has an intermittent cut, adjustment should be made to the appropriate side of the blade reel to attain proper cutting action.

## 8. Height Adjustment

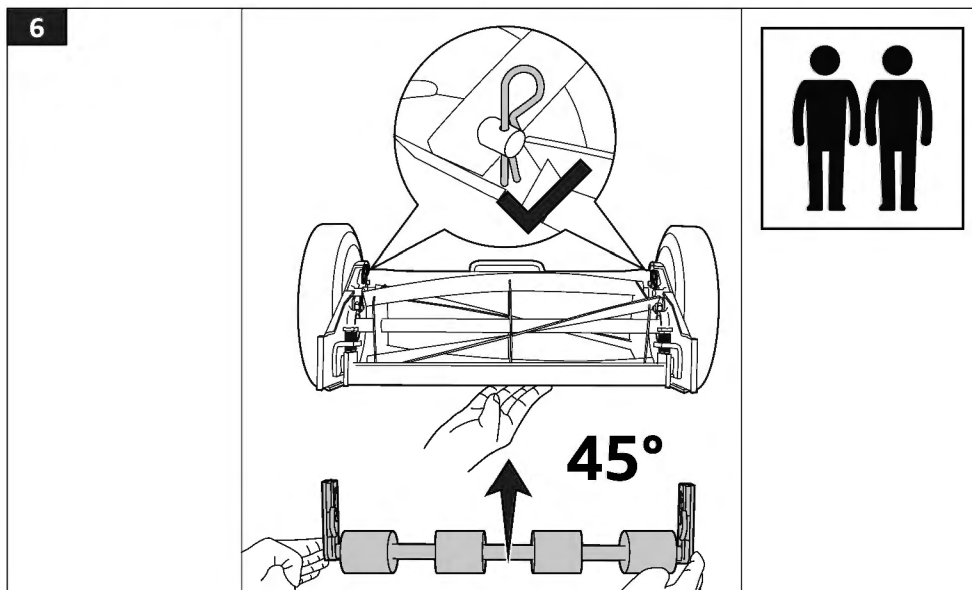
1. With a wrench, loosen and remove the bolts, nuts and spacers on both sides of the roller shaft. Remove the roller shaft (Fig. 5).

5

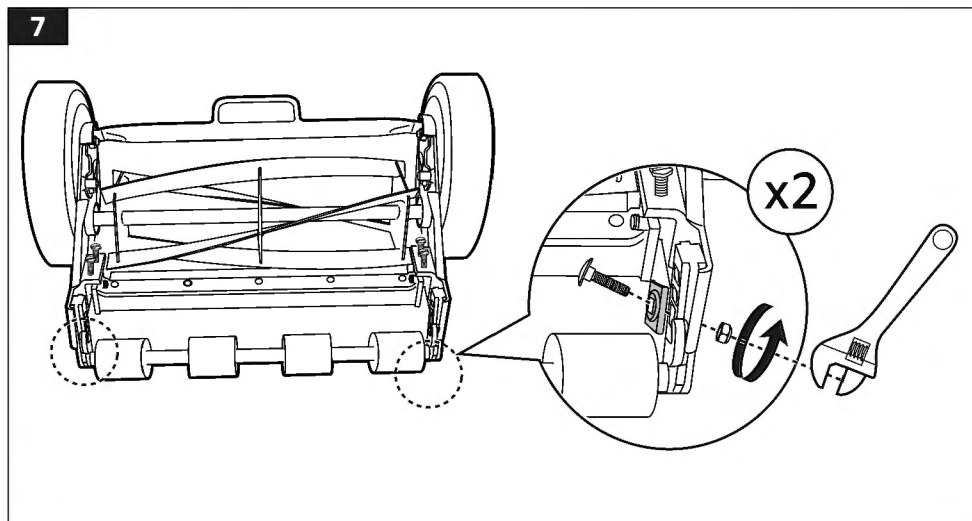


2. Tilt the mower blade forward. Reinsert the roller shaft at an  $45^\circ$  angle (Fig. 6).

6



3. Align the roller shaft to the desired adjustment level, then refit the bolts, nuts and spacers (Fig. 7).



## 9. Use

### 9.1 Before each use

- ▶ First time operator should have practical instruction in the use of the lawn mower from an experienced operator.
- ▶ Check the lawn mower and its accessories for damage. Do not use the lawn mower if it is damaged or worn out.
- ▶ Check for loose bolts, misalignment or binding of moving parts, or any other condition that may affect the use. If abnormal vibration or noise occurs, stop using the lawn mower immediately and have the problem corrected before further use.
- ▶ Check that the blade is clear of debris. Brush or rinse away any built-up grass debris on the blade and on the underside of the lawn mower.
- ▶ Check the sharpness of the blade before mowing. A sharp blade can enhance the performance of the lawn mower, especially when cutting tall grass.

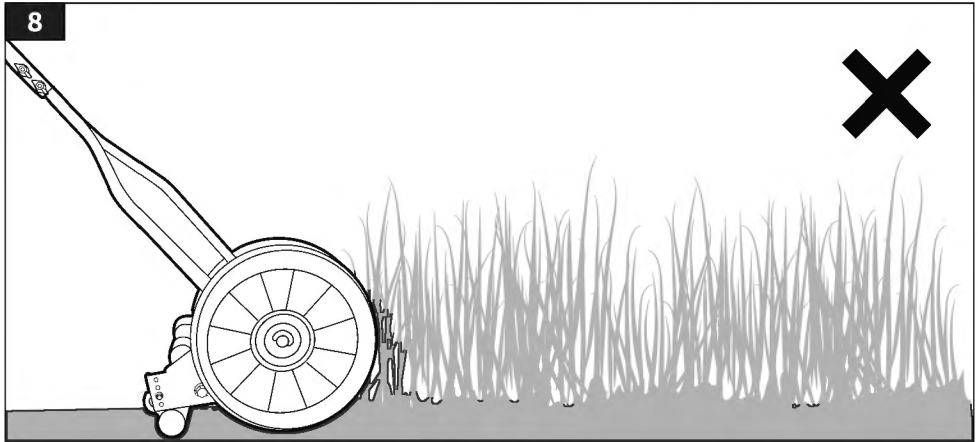
**NOTICE** For B0B15CKBM8 model only: Installation of the grass catcher is optional. Without the grass catcher installed you can have the clippings redistributed into the yard via mulching.

### 9.2 Mowing Tips

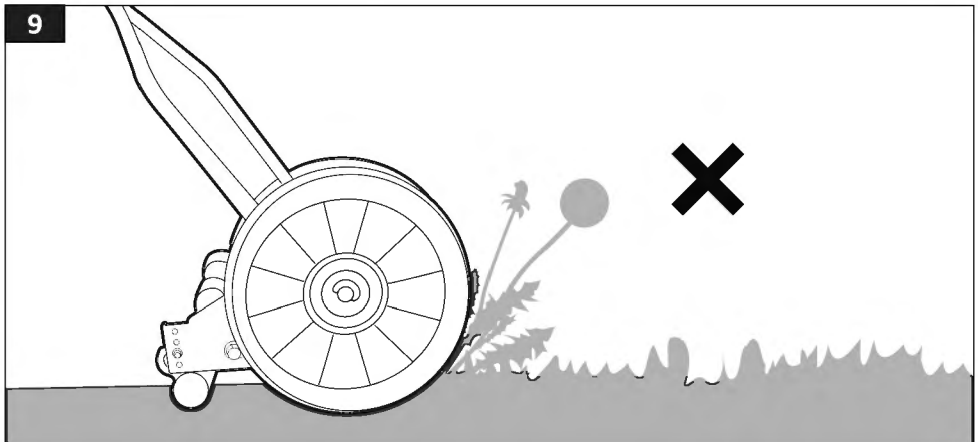
- ▶ Walk at a steady pace. The mower blade rotation relies on the wheels turning at a quick walking pace for best results.
- ▶ Do not mow in circles. Move the product back and forth across the lawn.
- ▶ Do not mow when the soil or grass is wet. Wet soil and grass can stick on the blade and the underside of the product.
- ▶ Avoid spraying chemicals on the lawn prior to mowing.



- ▶ When cutting thick grass, reduce your walking speed in order to allow for a more effective cut and a proper discharge of the grass clippings.
- ▶ Avoid letting the grass get too tall (Fig. 8). It is harder to push the lawn mower in tall grass. It is recommended to mow your lawn on a weekly basis.

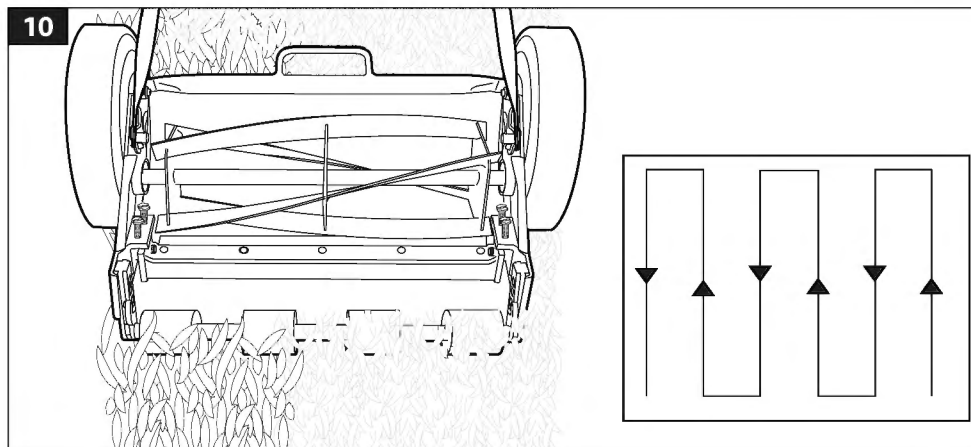


- ▶ Do not mow tall weeds (Fig. 9). If you have a weed infestation, clear all the weeds first or contact your local lawn service.



- ▶ Set the product to the maximum cutting height when mowing on uneven ground or in tall growth.
- ▶ Mow based on the height of the grass. Do not mow down more than a third of the total height of your grass each mowing. The average lawn should be approximately 1-1/2 to 2" (38 - 50 mm) long during cool months, and between 2 to 3-1/4" (50 - 83 mm) long during hot months. It is not recommended to mow grass or tall weeds higher than 7" (180 mm).

- ▶ It is recommended to mow in the middle of the morning or in the late afternoon after a dry day. This reduces clumping, lawn damage, and heat stress on the grass.
- ▶ Mowing around the perimeter first can help square off the lawn and gives room to turn when mowing back in forth in rows.
- ▶ Mow back and forth in straight lines with a slight overlap (Fig. 10). Continue this process until the entire section is mowed.



## 10. Cleaning and Maintenance

### **⚠ CAUTION** Risk of injury!

Always wear protective gloves when performing any cleaning or maintenance on the product, where the blade is located.

#### 10.1 Quick clean

- ▶ Clean the outer housing with damp, lint-free cloth. Wipe dry after cleaning.
- ▶ Never use corrosive detergents, wire brushes, abrasive scourers, metal or sharp utensils to clean the lawn mower.

#### 10.2 Deep clean

##### **NOTICE**

Clean grass clippings, leaves, dirt and other debris off the product after each use.

1. Turn the product on its side.
2. Scrape the grass residue off from the underside using a plastic paint scraper (not included) or a similar non-metallic tool.
3. Scrub away any remaining grass clippings and debris on the underside, and the front and wheels using a soft brush.
4. Use a garden hose to hose down the product.
5. Wipe the parts with a dry cloth.
6. To reduce grass clippings buildup, lightly spray some vegetable oil onto the parts of the lawn mower after cleaning.
7. Set the product to upright position after cleaning.

### 10.3 Cleaning the grass catcher (model BOB15CKBM8)

---

1. Detach the grass catcher from the lawn mower.
2. Empty the grass catcher.
3. Hose the outside and inside of the grass catcher down and gently scrub the debris off using a soft brush.
4. Let the grass catcher dry completely before attaching it to the lawn mower.

### 10.4 Maintenance and Storage

---

- ▶ Check the components regularly to make sure all bolts are tightened.
- ▶ Clean the lawn mower before storage.
- ▶ Store the lawn mower away from corrosive materials, such as fertilizer or rock salt.
- ▶ Store in a cool and dry place away from children and pets, ideally in original packaging.

### 10.5 Transporting in a vehicle

---

- ▶ When lifting the lawn mower, grab the small handle above the blades and the lawn mower handle. Use both hands.
- ▶ Secure the lawn mower when transporting in a vehicle to prevent turnover and damage to the lawn mower. Use a line or ratchet tie-down if necessary.
- ▶ If a suitable loading ramp is not available, ask another person for assistance when loading the lawn mower on a vehicle.

### 10.6 Lubrication

---

- ▶ Lubricate the moving parts and pivot points with light oil at least once each mowing season to prevent rusting.
- ▶ Lubricate the wheel axle with light oil when the wheels do not move smoothly during operation.

#### 10.6.1 Sharpening the blade reel

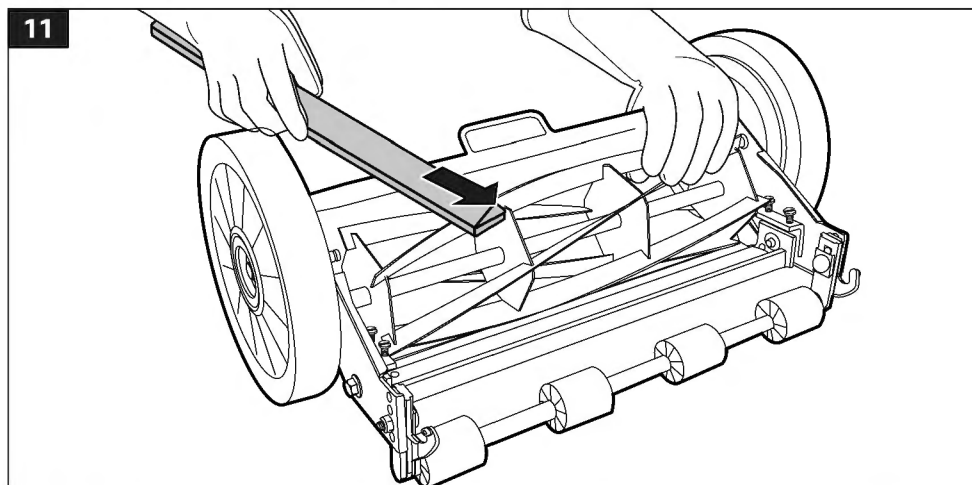
##### **CAUTION** Risk of injury!

- ▶ Always wear protective gloves and eye protection when sharpening the blade reel.
- ▶ Inspect the blade reel regularly and do not operate the product with a worn or damaged blade. If the blade is excessively worn, bent, cracked, or otherwise damaged, do not sharpen it but have it repaired by a professional repair center.

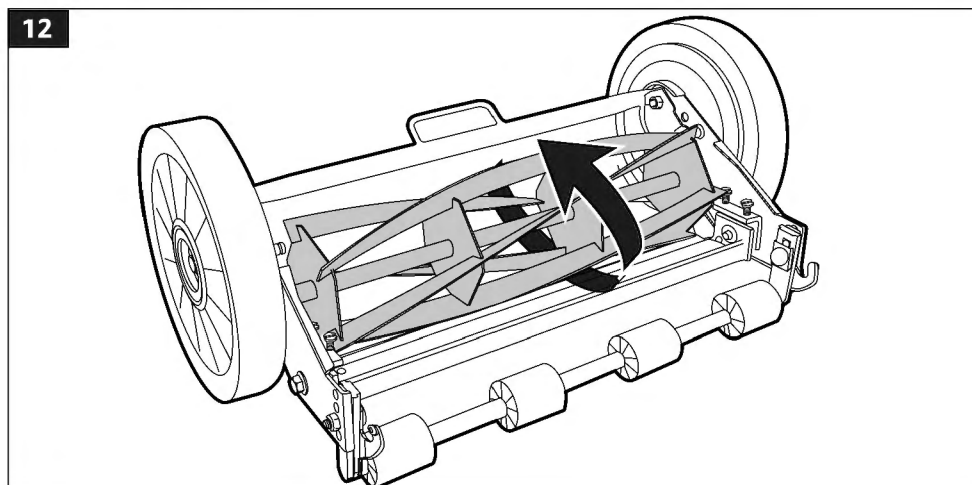
##### **NOTICE**

- ▶ Sharpen the blade when it is dull. Keep the blade sharp so that it cuts grass properly.
  - ▶ It is recommended to sharpen the blade twice during a mowing season under normal circumstances. If the lawn has sandy soil, more frequent sharpening may be required.
1. Prop the mower on a stable surface so that the blade reel can be rotated in a balanced manner.
  2. Prepare a 10-inch metal file and wear protective gloves.

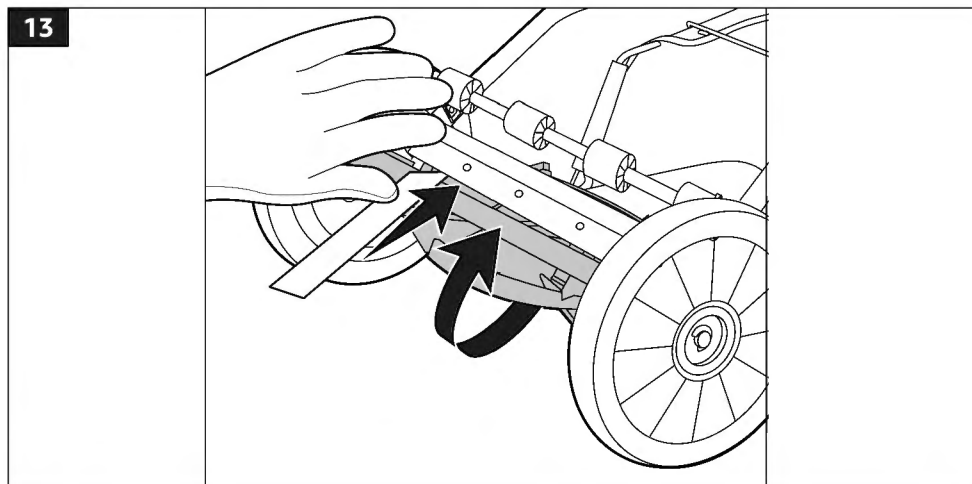
3. Hold the blade reel in place with one hand on the side. With even strokes, push the file on the top blade away from the edge. Slightly turn the blade reel to follow the curve along its entire length (Fig. 11).



4. Rotate the blade reel so that the next blade is in the top position (Fig. 12). Sharpen the remaining blades.



- ▶ To test for sharpness, turn the lawn mower upside down. Wearing gloves, take a strip of paper and carefully turn the blade reel so that a blade cuts a small portion of the paper (Fig. 13). Repeat for all blades. Each blade should slice the paper evenly across the entire length of the cutter blade while the reel turns smoothly.



## 11. Disposal



Dispose of the product according to local regulations. If in doubt, consult your local authorities.

## 12. Importer Information

	For EU
Postal:	Amazon EU S.à r.l., 38 avenue John F. Kennedy, L-1855 Luxembourg
Business Reg.:	134248
	For UK
Postal:	Amazon EU SARL, UK Branch, 1 Principal Place, Worship St, London EC2A 2FA, United Kingdom
Business Reg.:	BR017427

## 13. Feedback and Help

We would love to hear your feedback. To ensure we are providing the best customer experience possible, please consider writing a customer review.

Scan QR Code below with your phone camera or QR reader:

US:



 **UK: [amazon.co.uk/review/review-your-purchases#](https://amazon.co.uk/review/review-your-purchases#)**

If you need help with your Amazon Basics product, please use the website or number below.

 **US: [amazon.com/gp/help/customer/contact-us](https://amazon.com/gp/help/customer/contact-us)**

 **UK: [amazon.co.uk/gp/help/customer/contact-us](https://amazon.co.uk/gp/help/customer/contact-us)**

 **+1 877-485-0385 (US Phone Number)**

## 1. Consignes de Sécurité Importantes



Veillez lire attentivement les présentes instructions et les conserver afin de pouvoir vous y référer ultérieurement. En cas de cession de ce produit à un tiers, le présent manuel d'utilisation doit également lui être remis.

### ⚠ ATTENTION

Lors de l'utilisation de tondeuses à gazon manuelles, il convient de toujours respecter les mesures de sécurité élémentaires afin de réduire tout risque de blessures, parmi lesquelles :

- ▶ Tenez les enfants à l'écart – Toutes les personnes présentes doivent être tenues à distance de la zone de travail.
- ▶ Ne faites pas fonctionner le produit sous l'emprise d'alcool ou de drogues.
- ▶ Habillez-vous de manière appropriée – Ne portez pas de vêtements amples ni de bijoux. Ils peuvent être pris dans des pièces en mouvement. L'utilisation de gants de protection et de chaussures solides est recommandée pour les travaux à l'extérieur.
- ▶ Utilisez le produit qui convient – N'utilisez pas le produit pour une tâche autre que celle pour laquelle il a été conçu.
- ▶ Ne soumettez le produit à aucune contrainte – Les tâches sont mieux exécutées et comportent moins de risques de blessures au rythme pour lequel le produit a été conçu.
- ▶ Ne tentez d'atteindre aucune zone hors de portée – Gardez une bonne posture et un bon équilibre en permanence.
- ▶ Faites preuve de vigilance – Prêtez attention à ce que vous faites. Faites preuve de bon sens. N'utilisez pas le produit lorsque vous êtes en proie à la fatigue.
- ▶ Rangez le produit à l'intérieur – Lorsqu'il n'est pas utilisé, le produit doit être rangé à l'intérieur, dans un endroit sec et surélevé ou sous clé – hors de la portée des enfants.
- ▶ Entretenez le produit avec le plus grand soin – Gardez les lames affûtées et propres pour des performances optimales et sûres.
  - Suivez les consignes de lubrification.
  - Il faut que les poignées restent sèches, propres et dépourvues d'huiles et de graisses.
- ▶ Tenez les mains et les pieds éloignés de la zone de coupe.
- ▶ Les objets heurtés par la lame peuvent occasionner des blessures graves. La pelouse doit toujours être soigneusement examinée et débarrassée de tout objet avant chaque tonte.
- ▶ Si le produit heurte un corps étranger, suivez les étapes suivantes :
  - Interrompez la tonte.
  - Vérifiez l'absence de tout dommage.
  - Réparez tout dommage avant de relancer le produit et de l'utiliser.
- ▶ N'utilisez le produit qu'à la lumière du jour ou sous une bonne lumière artificielle.
- ▶ Contournez les trous, les ornières, les bosses, les rochers et tout autre danger invisible. Un terrain irrégulier peut faire basculer le produit ou occasionner une perte d'équilibre ou de stabilité de l'opérateur.
- ▶ Ne dirigez le matériau expulsé vers personne. Évitez la projection de matériau contre un mur ou un obstacle. Le matériau peut ricocher en direction de l'opérateur. Inclinez la ou les lames lorsque vous traversez des surfaces recouvertes de gravier.
- ▶ Ne laissez pas le produit sans surveillance. À toujours stationner sur une surface horizontale.
- ▶ Ne tondez pas en reculant, sauf en cas de nécessité absolue. Regardez toujours vers le sol et en arrière avant et pendant le recul.

- ▶ Les pentes constituent un des principaux facteurs favorisant les accidents. Toute mise en œuvre sur une pente nécessite une prudence accrue.
- ▶ Sur les pentes, déplacez-vous dans le sens recommandé par le fabricant. Faites preuve de prudence lors de la mise en œuvre à proximité de dénivelés.
- ▶ Évitez de tondre de l'herbe mouillée. Une mauvaise stabilité peut conduire à un accident par glissade suivie d'une chute.
- ▶ N'utilisez pas le produit dans des circonstances où la motricité, la direction ou la stabilité sont incertaines.
- ▶ Évitez les changements brusques de rythme ou de direction. Exécutez les virages lentement et progressivement.
- ▶ Ne modifiez pas ni ne tentez de réparer le produit, sauf indication contraire des consignes d'utilisation et d'entretien.
- ▶ Ce produit doit être monté par un adulte.
- ▶ Ne serrez pas excessivement les fixations.
- ▶ Maintenez les enfants et les animaux de compagnie à l'écart pendant le montage du produit.

### **⚠ ATTENTION** Risque de blessures !

- ▶ Seuls les accessoires et équipements désignés par le fabricant peuvent être utilisés avec le produit. L'utilisation de tout autre accessoire ou équipement peut accroître le risque de blessure !
- ▶ Pour le modèle BOB15CKBM8 uniquement : Dans des conditions normales d'utilisation, le bac de ramassage d'herbe est sujet à la détérioration et à l'usure et doit donc être contrôlé régulièrement afin de prévoir son remplacement. Un bac de ramassage d'herbe de rechange doit être choisi de telle sorte qu'il soit conforme aux recommandations et aux caractéristiques du fabricant d'origine.

## 2. Utilisation Prévue

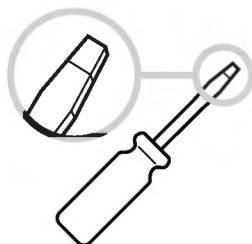
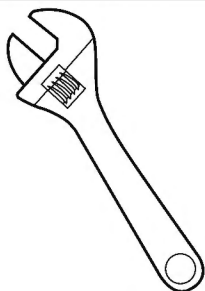
- ▶ Ce produit est destiné à la tonte de gazon dans les environnements résidentiels et les jardins. À utiliser principalement pour l'entretien des pelouses résidentielles de petite taille et des jardins familiaux.
- ▶ Ce produit n'est pas destiné à être utilisé sur des terrains accidentés ou broussailleux.
- ▶ Ce produit est exclusivement destiné à un usage privé.

## 3. Montage



Pour les consignes de montage, consultez le manuel de montage fourni.

## 4. Outils Nécessaires





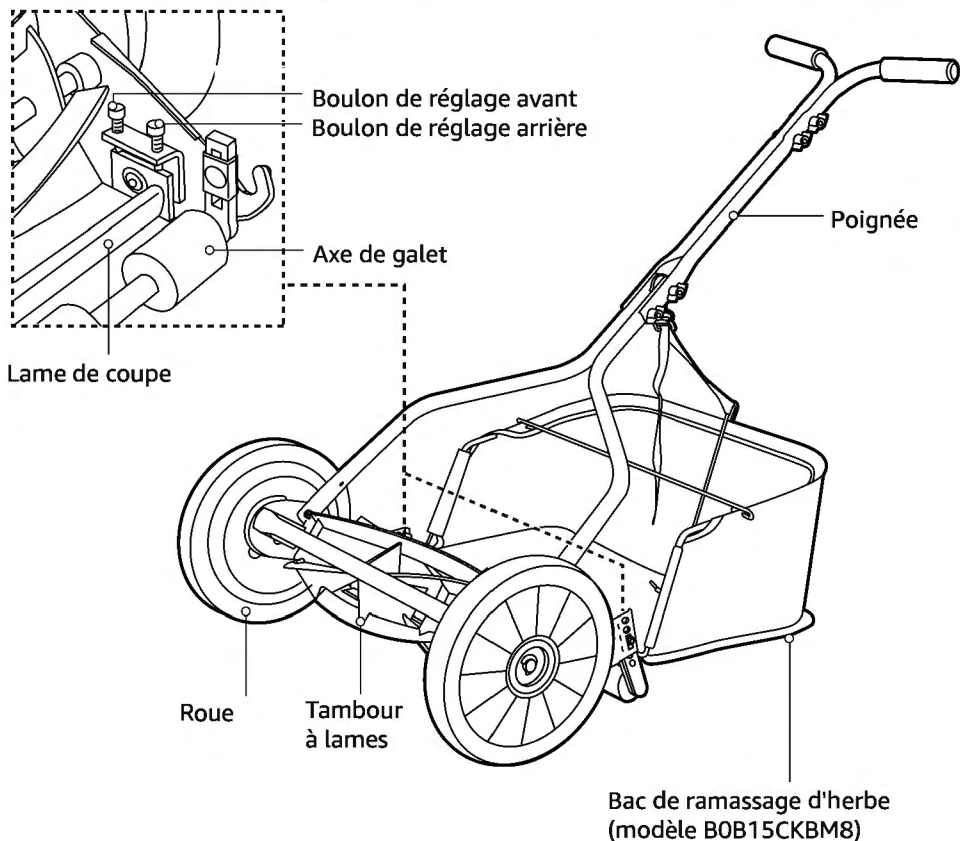
## 5. Avant la Première Utilisation

### **⚠ DANGER** Risque d'étouffement !

Maintenez tous les matériaux d'emballage hors de la portée des enfants et des animaux. Ces matériaux constituent une source de danger potentiel comme l'étouffement.

- ▶ Retirez tous les matériaux d'emballage.
- ▶ Retirez et examinez tous les éléments avant l'utilisation.
- ▶ Vérifiez l'état du produit afin de déceler tout dommage éventuel dû au transport.
- ▶ N'utilisez pas le produit s'il semble endommagé.

## 6. Description du Produit



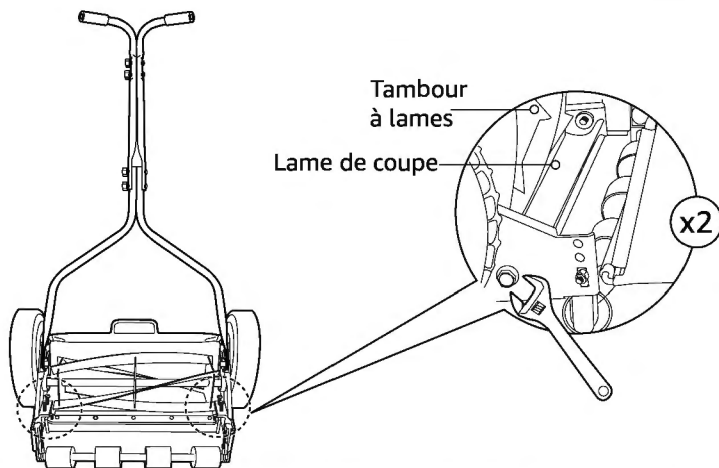
## 7. Réglage du tambour à lames et des lames de coupe

### **⚠ ATTENTION** Risque de blessures !

Portez toujours des gants de protection lors de toute opération de nettoyage ou d'entretien du produit, particulièrement au niveau de la lame.

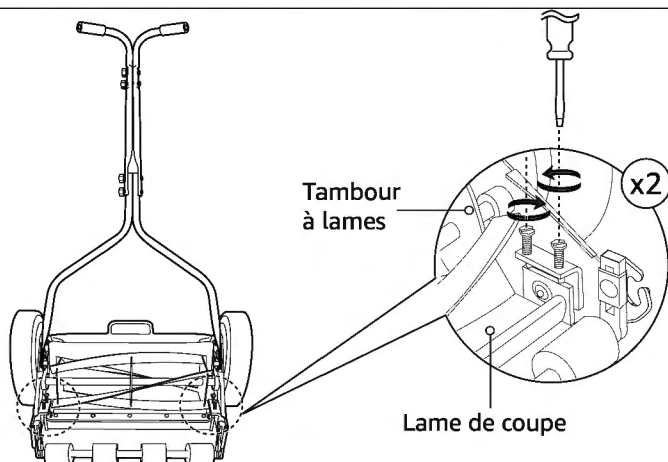
- ▶ Un désalignement peut se produire et rendre le tambour à lames trop lâche ou trop serré. En tel cas, la coupe est grossière, inégale ou le produit est difficile à pousser.
- ▶ Tous les réglages sont effectués depuis l'arrière du produit.
- ▶ Pour régler la lame de coupe, serrez ou desserrez les vis situées sur les côtés (illustration 1).

1

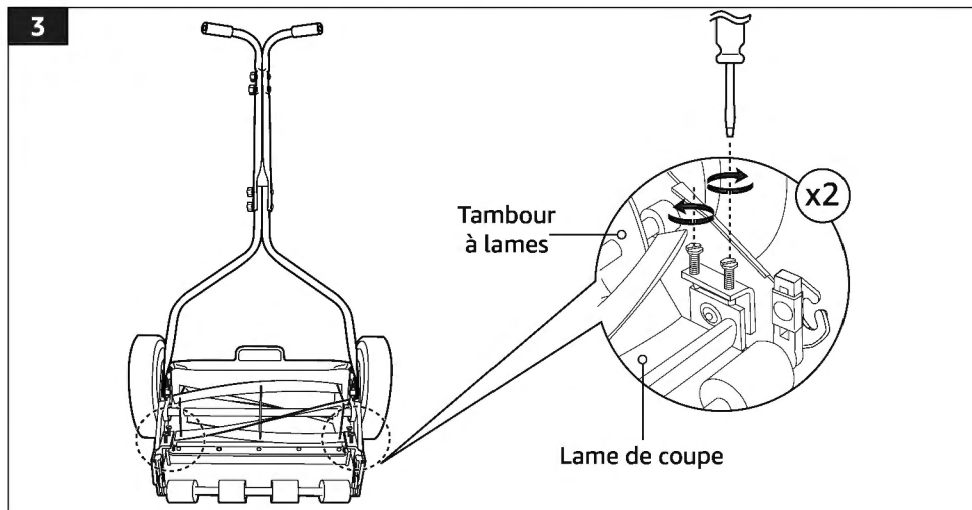


- ▶ Pour desserrer le tambour à lames, desserrez les boulons de réglage arrière des deux côtés de manière équilibrée en les tournant dans le sens inverse des aiguilles d'une montre et serrez les boulons de réglage avant des deux côtés de manière équilibrée en les tournant dans le sens des aiguilles d'une montre (illustration 2). La lame de coupe s'éloigne du tambour de la lame.

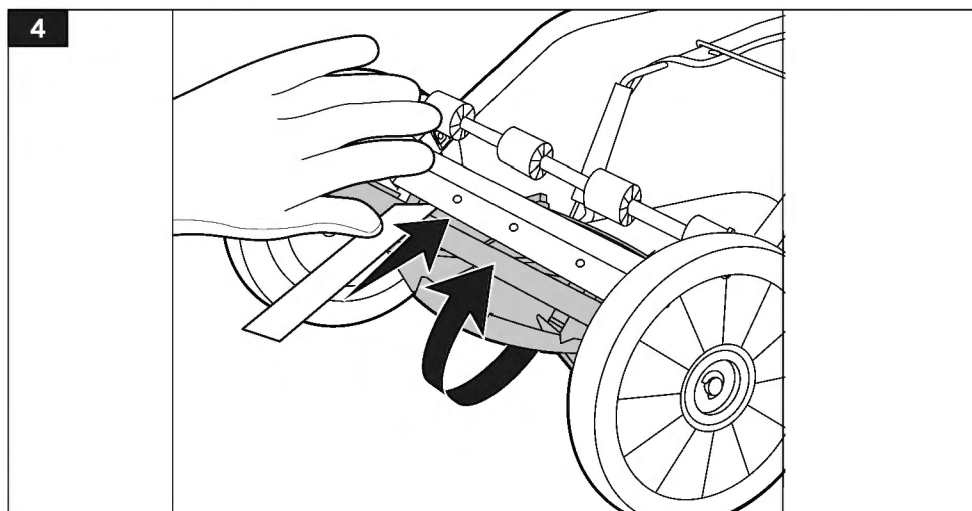
2



- Pour serrer le tambour à lames, desserrez les boulons de réglage avant des deux côtés de manière équilibrée en les tournant dans le sens inverse des aiguilles d'une montre et serrez les boulons de réglage arrière des deux côtés de manière équilibrée en les tournant dans le sens des aiguilles d'une montre. La lame de coupe est ramenée vers le tambour à lames (illustration 3).



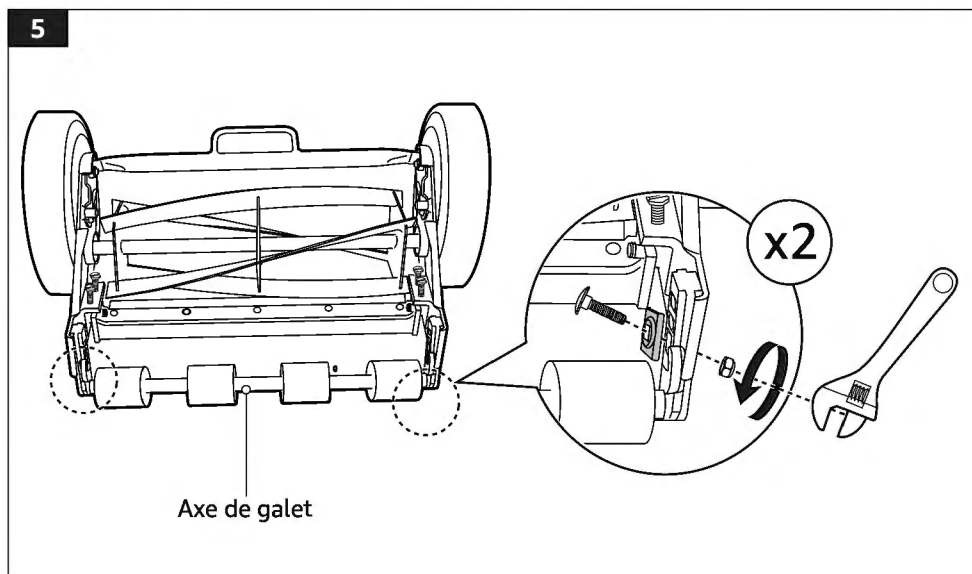
- Pour contrôler le réglage, renversez la tondeuse à gazon. Tout en portant des gants, prenez une bande de papier et tournez délicatement le tambour à lames de manière à ce qu'une lame coupe un petit morceau de papier (illustration 4). Répétez l'opération pour toutes les lames. Chaque lame doit trancher le papier de manière uniforme sur toute la longueur de la lame de coupe, tandis que le tambour à lames tourne en douceur.



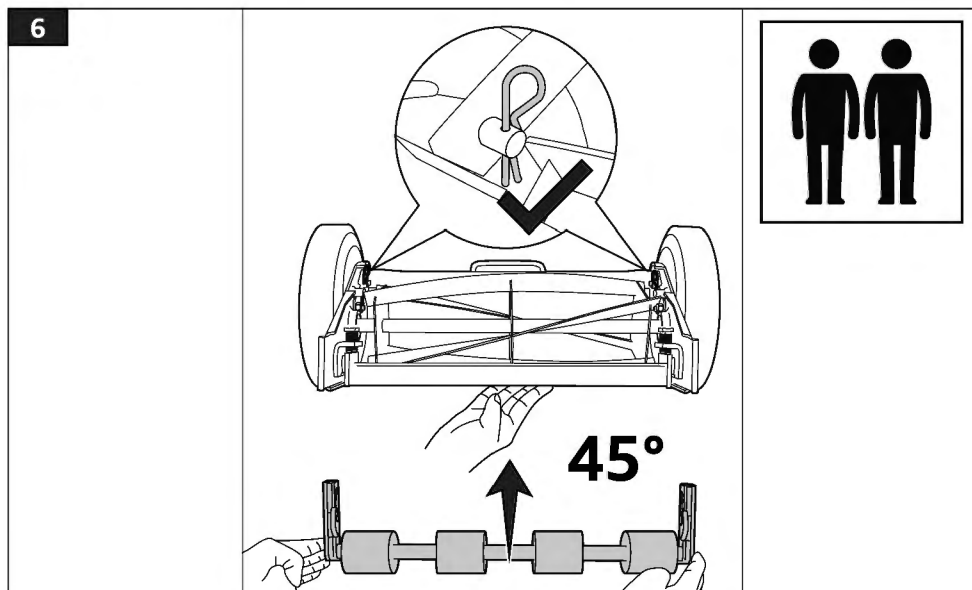
- Si le produit n'a qu'une coupe par intermittence, il faut régler le côté adéquat du tambour à lames pour obtenir une coupe correcte.

## 8. Réglage de la Hauteur

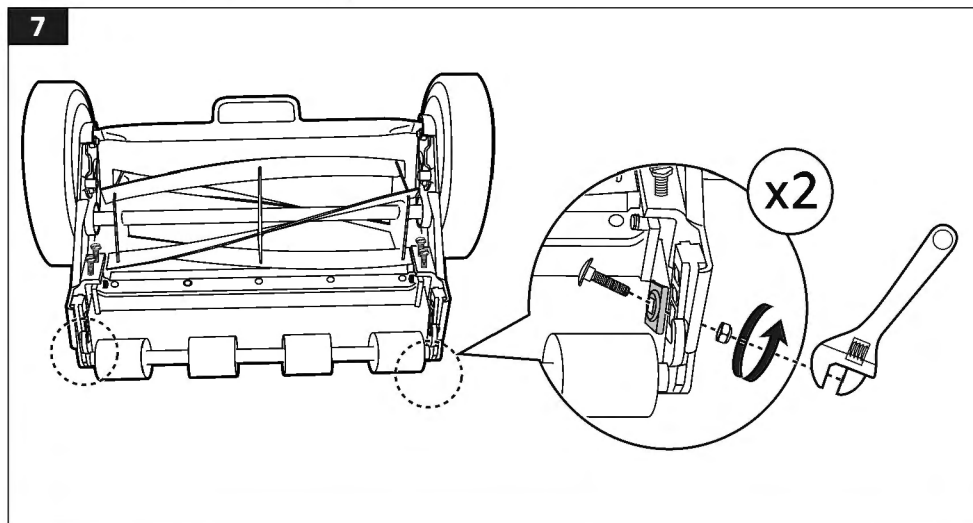
5. À l'aide d'une clé, desserrez et retirez les boulons, écrous et entretoises des deux côtés de l'axe de galet. Retirez l'axe de galet (illustration 5).



6. Inclinez la lame de la tondeuse à gazon vers l'avant. Réinsérez l'axe de galet à un angle de 45° (illustration 6).



7. Alignez l'axe de galet sur le niveau de réglage souhaité, puis remettez les boulons, les écrous et les entretoises en place (illustration 7).



## 9. Utilisation

### 9.1 Avant chaque utilisation

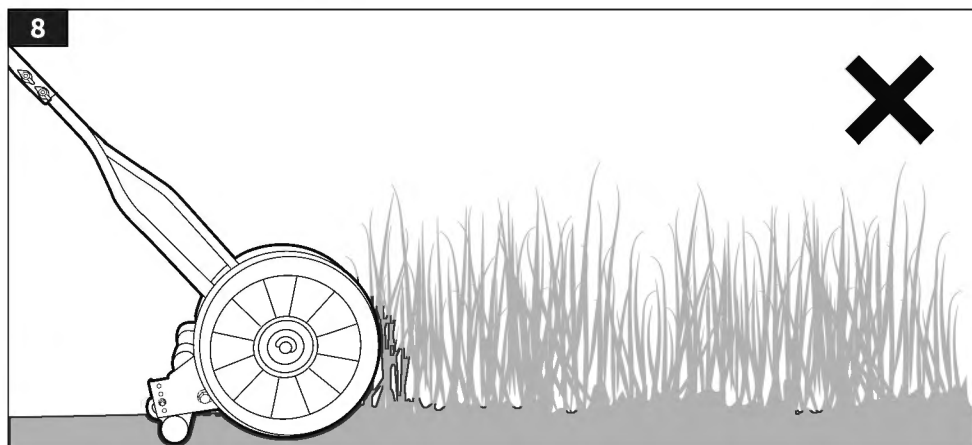
- ▶ Tout nouvel opérateur doit recevoir des instructions pratiques sur l'utilisation de la tondeuse à gazon de la part d'un opérateur expérimenté.
- ▶ Vérifiez que la tondeuse à gazon et ses accessoires ne sont pas endommagés. N'utilisez pas la tondeuse à gazon si elle est endommagée ou usée.
- ▶ Vérifiez qu'il n'y a aucun boulon desserré, aucun déport ou blocage des pièces mobiles, ou toute autre circonstance susceptible d'affecter l'utilisation. Si des vibrations ou des bruits anormaux se produisent, cessez immédiatement toute utilisation de la tondeuse à gazon et faites corriger le problème avant d'en reprendre l'utilisation.
- ▶ Vérifiez que la lame est débarrassée de tout débris. Brossez ou rincez les débris d'herbe accumulés sur la lame et au-dessous de la tondeuse à gazon.
- ▶ Vérifiez le tranchant de la lame avant de tondre. Une lame affûtée peut améliorer les performances de la tondeuse à gazon, en particulier lors de la coupe d'herbes hautes.

**REMARQUE** Pour le modèle BOB15CKBM8 uniquement : L'installation du bac de ramassage d'herbe est facultative. Si le bac de ramassage d'herbe n'est pas installé, les débris de tonte peuvent être répartis dans le jardin et servir de paillage.

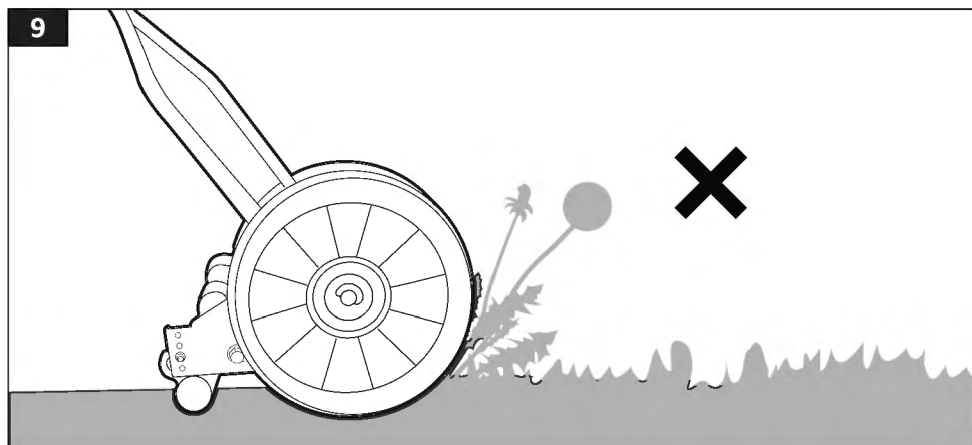
### 9.2 Conseils de tonte

- ▶ Marchez à un rythme régulier. La rotation des lames de la tondeuse à gazon dépend de la rotation des roues. Marchez à une allure rapide pour obtenir de meilleurs résultats.
- ▶ Ne tondez pas en cercle. Déplacez le produit d'avant en arrière sur toute la pelouse.
- ▶ Ne tondez pas lorsque la terre ou l'herbe sont mouillées. La terre ou l'herbe mouillées peuvent adhérer à la lame et au-dessous du produit.
- ▶ Évitez de pulvériser des substances chimiques sur la pelouse avant la tonte.
- ▶ Lorsque vous coupez de l'herbe drue, réduisez votre vitesse de déplacement afin de permettre une coupe plus efficace et une éjection efficace des déchets végétaux.

- Évitez de laisser l'herbe pousser trop haut (illustration 8). Il est plus difficile de pousser la tondeuse à gazon dans l'herbe haute. Il est recommandé de tondre votre pelouse une fois par semaine.

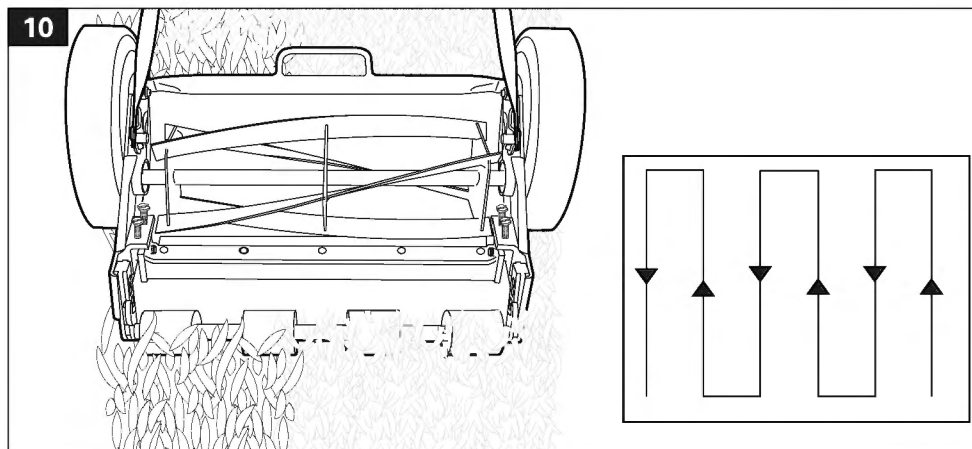


- Ne tondez pas les mauvaises herbes trop hautes (illustration 9). Si les mauvaises herbes sont abondantes, éliminez-les d'abord ou contactez votre société paysagiste la plus proche.



- Réglez le produit sur la hauteur de coupe maximale lorsque vous tondez sur un terrain irrégulier ou dans une végétation haute.
- Tondez en fonction de la hauteur de l'herbe. Ne coupez pas plus d'un tiers de la hauteur totale de votre gazon à chaque tonte. Une pelouse typique devrait présenter une longueur d'environ 1-1/2 à 2 pouces (38-50 mm) pendant les mois les plus froids, et entre 2 et 3-1/4 pouces (50-83 mm) pendant les mois les plus chauds. Il n'est pas recommandé de tondre de l'herbe ou des herbes hautes d'une hauteur supérieure à 7 pouces (180 mm).

- ▶ Il est recommandé de tondre en milieu de matinée ou en fin d'après-midi après une journée sèche. Cela réduit la formation de touffes, la dégradation de la pelouse et les contraintes thermiques imposées à l'herbe.
- ▶ Le fait de tondre d'abord le contour de la pelouse peut aider à la dégrossir et donne de la place pour tourner lorsque vous tondez en rangs.
- ▶ Tondez d'avant en arrière en lignes droites en faisant un léger chevauchement (illustration 10). Poursuivez ce procédé jusqu'à ce que toute la zone soit tondue.



## 10. Nettoyage et Entretien

### **⚠ ATTENTION** Risque de blessures !

Portez toujours des gants de protection lors de toute opération de nettoyage ou d'entretien du produit, particulièrement au niveau de la lame.

#### 10.1 Nettoyage rapide

- ▶ Nettoyez le boîtier extérieur avec un chiffon humide et non pelucheux. Essuyez bien après le nettoyage.
- ▶ Ne jamais utiliser de détergents corrosifs, de brosses métalliques, de lavettes abrasives ou d'ustensiles tranchants ou en métal pour nettoyer la tondeuse à gazon.

#### 10.2 Nettoyage complet

##### **REMARQUE**

Débarrassez les résidus d'herbe, les feuilles, les saletés et tout autre débris du produit après chaque utilisation.

1. Allongez le produit sur le côté.
2. Grattez les résidus d'herbe situés en dessous à l'aide d'un grattoir à peinture en plastique (non fourni) ou d'un outil non métallique similaire.
3. Enlevez les résidus d'herbe et les débris du dessous et des roues à l'aide d'une brosse à poils souples.
4. Utilisez un tuyau d'arrosage pour rincer le produit.
5. Essuyez toutes les pièces avec un chiffon sec.

6. Pour réduire l'accumulation d'herbe coupée, pulvérisez un peu d'huile végétale sur les parties de la tondeuse à gazon après le nettoyage.
7. Remettez le produit à l'endroit après le nettoyage.

### 10.3 Nettoyage du bac de ramassage d'herbe (modèle B0B15CKBM8)

---

1. Détachez le bac de ramassage d'herbe de la tondeuse à gazon.
2. Videz le bac de ramassage d'herbe.
3. Arrosez l'extérieur et l'intérieur du bac de ramassage à l'aide d'un tuyau d'arrosage et frottez délicatement les débris à l'aide d'une brosse à poils souples.
4. Laissez le bac de ramassage d'herbe sécher complètement avant de le fixer à la tondeuse à gazon.

### 10.4 Entretien et Rangement

---

- ▶ Vérifiez régulièrement les composants afin de vous assurer que tous les boulons sont bien serrés.
- ▶ Nettoyez la tondeuse à gazon avant de la ranger.
- ▶ Rangez la tondeuse à gazon à l'écart de toute substance corrosive, comme les engrais ou le sel de déneigement.
- ▶ Rangez le produit dans un endroit frais et sec, hors de la portée des enfants et des animaux domestiques, de préférence dans son emballage d'origine.

### 10.5 Transport dans un véhicule

---

- ▶ Lorsque vous soulevez la tondeuse à gazon, saisissez la petite poignée située au-dessus des lames et la poignée de la tondeuse à gazon. Utilisez vos deux mains.
- ▶ Immobilisez la tondeuse à gazon lorsque vous la transportez dans un véhicule afin d'éviter tout risque de basculement et de dommage de la tondeuse à gazon. Au besoin, utilisez une corde ou un dispositif d'arrimage à cliquet.
- ▶ En l'absence d'une rampe de chargement adaptée, demandez de l'aide à une autre personne lors du chargement de la tondeuse à gazon dans un véhicule.

### 10.6 Lubrification

---

- ▶ Lubrifiez les pièces mobiles et les articulations avec une huile fluide au moins une fois par saison de tonte pour prévenir la rouille.
- ▶ Lubrifiez l'essieu des roues avec de l'huile fluide lorsque les roues ne tournent pas librement pendant les opérations.

#### 10.6.1 Affûtage du tambour à lames

#### **⚠ ATTENTION** Risque de blessures !

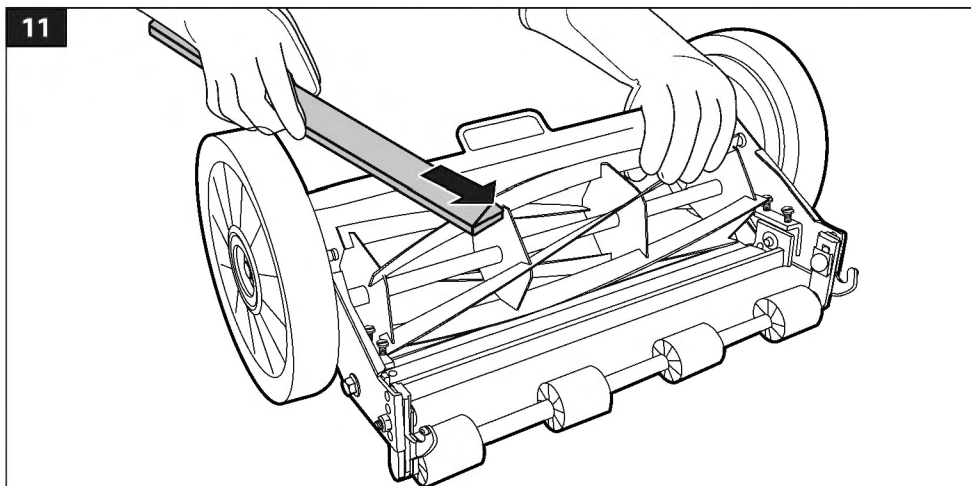
- ▶ Portez toujours des gants de protection et des lunettes de protection lorsque vous affûtez le tambour à lames.
- ▶ Examinez régulièrement le tambour à lames et n'utilisez pas le produit avec une lame émoussée ou endommagée. Si la lame est excessivement usée, tordue, fêlée ou autrement endommagée, ne l'aiguissez pas mais faites-la réparer par un centre de maintenance spécialisé.



**REMARQUE**

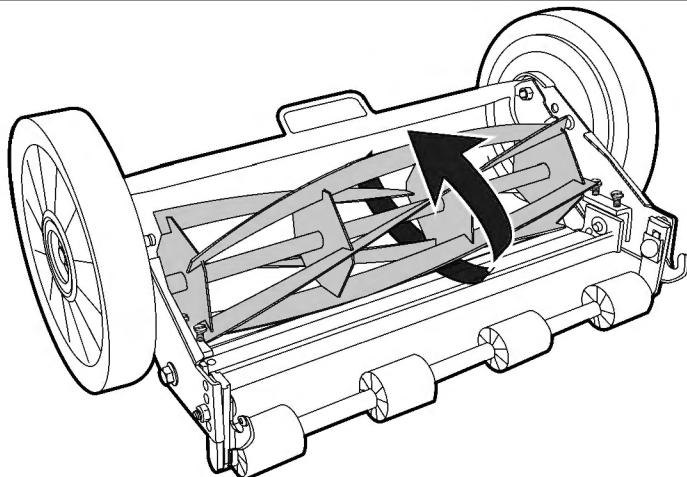
- ▶ Affûtez la lame lorsqu'elle est émoussée. Gardez la lame affûtée pour qu'elle coupe correctement l'herbe.
- ▶ Il est recommandé d'affûter la lame deux fois au cours de la saison de tonte dans des conditions normales. Si la pelouse pousse sur un sol sableux, un affûtage plus fréquent peut être nécessaire.

1. Positionnez la tondeuse à gazon sur une surface stable de manière à ce que le tambour à lames puisse tourner de manière équilibrée.
2. Prévoyez une lime métallique de 10 pouces et portez des gants de protection.
3. Maintenez le tambour à lames en position en le tenant d'une main sur le côté. Avec des passes régulières, poussez la lime sur la lame supérieure en l'éloignant du tranchant de la lame. Tournez légèrement le tambour à lames pour suivre la courbe sur toute sa longueur (illustration 11).



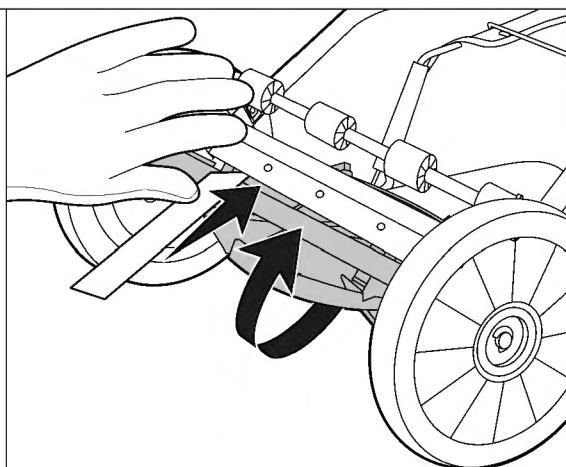
4. Faites tourner le tambour à lames de manière à ce que la lame suivante se trouve en position haute (illustration 12). Affûtez les autres lames.

12



- Pour tester les performances de coupe, renversez la tondeuse à gazon. Tout en portant des gants, prenez une bande de papier et tournez délicatement le tambour à lames de manière à ce qu'une lame coupe un petit morceau de papier (illustration 13). Répétez l'opération pour toutes les lames. Chaque lame doit trancher le papier de manière uniforme sur toute la longueur de la lame de coupe, tandis que le tambour à lames tourne en douceur.

13



## 11. Mise au Rebut



Mettez au rebut le produit conformément à la réglementation locale. En cas de doute, consultez les services municipaux compétents.

## Information des consommateurs sur la règle de tri (pour la France)



## 12. Renseignements sur l'Importateur

	Pour l'UE
Adresse :	Amazon EU S.à r.l., 38, avenue John F. Kennedy, L-1855 Luxembourg
N° d'immatriculation :	134248

## 13. Vos Avis et Aide

Nous serions ravis de connaître votre avis. Afin de nous assurer de fournir la meilleure expérience client possible, veuillez considérer la rédaction d'un commentaire client.

**FR :** [amazon.fr/review/review-your-purchases#](https://amazon.fr/review/review-your-purchases#)



**BE :** [amazon.com.be/review/review-your-purchase#](https://amazon.com.be/review/review-your-purchase#)

**CA :** [amazon.ca/review/review-your-purchases#](https://amazon.ca/review/review-your-purchases#)

Si vous avez besoin d'assistance concernant votre produit Amazon Basics, veuillez consulter le site web suivant.

**FR :** [amazon.fr/gp/help/customer/contact-us](https://amazon.fr/gp/help/customer/contact-us)



**BE :** [amazon.com.be/gp/help/customer/contact-us](https://amazon.com.be/gp/help/customer/contact-us)

**CA :** [amazon.ca/gp/help/customer/contact-us](https://amazon.ca/gp/help/customer/contact-us)

## 1. Wichtige Sicherheitshinweise



Lesen Sie diese Bedienungsanleitung sorgfältig und bewahren Sie sie zum späteren Gebrauch auf. Fügen Sie diese Bedienungsanleitung bei, wenn Sie dieses Produkt an Dritte weitergeben.

### **⚠ VORSICHT**

Wenn Sie handbetriebene Rasenmäher nutzen, sollten Sie immer grundlegende Sicherheitsvorkehrungen treffen, um das Risiko von Verletzungen zu reduzieren, wozu auch Folgendes gehört:

- Halten Sie Kinder fern – alle Zuschauer sollten sich vom Arbeitsbereich entfernt aufhalten.
- Betreiben Sie das Produkt nicht, während Sie unter dem Einfluss von Alkohol oder Drogen stehen.
- Kleiden Sie sich in richtiger Art und Weise – tragen Sie keine lose Kleidung oder Schmuck. Dies kann sich in sich bewegenden Teilen verfangen. Bei Arbeiten im Freien empfiehlt es sich, Schutzhandschuhe und festes Schuhwerk zu tragen.
- Nutzen Sie das richtige Produkt – verwenden Sie das Produkt nicht für andere Arbeiten als die, für die es bestimmt ist.
- Überfordern Sie das Produkt nicht – das Produkt erledigt die Arbeit besser und mit geringerem Verletzungsrisiko in dem Tempo, für das es konzipiert wurde.
- Übernehmen Sie sich nicht – sorgen Sie für einen sicheren Stand und halten Sie jederzeit das Gleichgewicht.
- Seien Sie stets aufmerksam – achten Sie darauf, was Sie tun. Nutzen Sie Ihren gesunden Menschenverstand. Verwenden Sie das Produkt nicht, wenn Sie müde sind.
- Lagern Sie das Produkt im Innenbereich – wenn es nicht in Gebrauch ist, sollte das Produkt in einem trockenen Raum hoch oder verschlossen – außerhalb der Reichweite von Kindern gelagert werden.
- Pflegen Sie das Produkt sorgfältig – halten Sie die Messer scharf und sauber, um die beste und sicherste Leistung zu erzielen.
  - Befolgen Sie die Anweisungen zum Einölen.
  - Halten Sie die Griffe trocken, sauber sowie frei von Öl und Fett.
- Halten Sie Hände und Füße vom Schneidbereich fern.
- Vom Messer getroffene Objekte können schwere Personenschäden verursachen. Vor jedem Mähen sollte die Rasenfläche sorgfältig kontrolliert und von allen Objekten befreit werden.
- Gehen Sie folgendermaßen vor, wenn das Produkt auf einen Fremdkörper trifft:
  - Hören Sie auf zu mähen.
  - Prüfen Sie, ob Beschädigungen vorliegen.
  - Reparieren Sie eventuelle Schäden, bevor Sie das Produkt wieder in Betrieb nehmen und weiter nutzen.
- Nutzen Sie das Produkt nur bei Tageslicht oder bei guter künstlicher Beleuchtung.
- Meiden Sie Löcher, Spurrillen, Unebenheiten, Felsbrocken oder andere versteckte Gefahren. Unebenes Gelände könnte das Produkt zum Umkippen bringen oder dazu führen, dass der Bediener das Gleichgewicht oder den Halt verliert.
- Richten Sie das ausgeworfene Material nicht auf Personen. Vermeiden Sie, Material gegen eine Wand oder ein Hindernis zu schleudern. Das Material könnte auf den Bediener zurückprallen. Kippen Sie das/die Messer, wenn Sie über Schotterflächen fahren.
- Lassen Sie das Produkt nicht unbeaufsichtigt. Parken Sie das Produkt immer auf ebenem Untergrund.
- Mähen Sie nicht im Rückwärtsgang, sofern dies nicht unbedingt erforderlich ist. Schauen Sie, bevor und während Sie rückwärtsfahren, immer nach unten und nach hinten.

- ▶ Steigungen sind ein wesentlicher Faktor bei der Entstehung von Unfällen. Die Arbeit an Steigungen erfordert besondere Vorsicht.
- ▶ Fahren Sie an Steigungen in die vom Hersteller empfohlene Richtung. Seien Sie vorsichtig, wenn Sie in der Nähe von Steilhängen arbeiten.
- ▶ Vermeiden Sie, nasses Gras zu mähen. Schlechter Bodenkontakt kann zu Unfällen durch Ausrutschen und Stürze führen.
- ▶ Verwenden Sie das Produkt nicht unter Bedingungen, bei denen die Traktion, die Lenkung oder die Stabilität infrage steht.
- ▶ Vermeiden Sie plötzliche Geschwindigkeits- oder Richtungsänderungen. Wenden Sie langsam und schrittweise.
- ▶ Modifizieren Sie das Produkt nicht und versuchen Sie nicht, es zu reparieren, sofern dies nicht in der Gebrauchs- und Pflegeanleitung so angegeben ist.
- ▶ Dieses Produkt muss von einem Erwachsenen zusammengebaut werden.
- ▶ Ziehen Sie die Befestigungselemente nicht übermäßig fest an.
- ▶ Halten Sie Kinder und Haustiere fern, während Sie das Produkt aufbauen.

### **⚠ VORSICHT Verletzungsrisiko!**

- ▶ Mit dem Produkt dürfen nur vom Hersteller festgelegte Zubehör- und Anbaugeräte verwendet werden. Nutzung von anderem Zubehör oder Anbaugeräten kann das Verletzungsrisiko erhöhen!
- ▶ Nur für Modell B0B15CKBM8: Der Grasfänger ist bei normalem Gebrauch einer Verschlechterung und Abnutzung unterworfen und sollte daher häufig überprüft und ausgetauscht werden. Ein Ersatz-Grasfänger sollte daraufhin überprüft werden, ob er den Empfehlungen oder Spezifikationen des Originalherstellers entspricht.

## **2. Bestimmungsgemäßer Gebrauch**

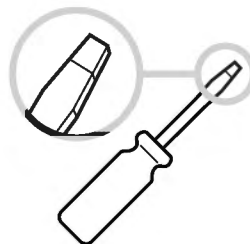
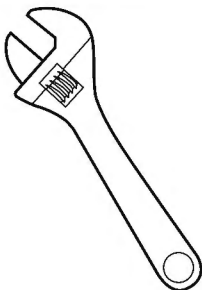
- ▶ Dieses Produkt ist zum Mähen von Gras im privaten Bereich und im Garten bestimmt. Es wird hauptsächlich zur Pflege kleinerer Rasenflächen im Wohnbereich sowie in Haus- und Hobbygärten verwendet.
- ▶ Dieses Produkt ist nicht zum Einsatz auf unebenem oder mit Buschwerk bedecktem Terrain bestimmt.
- ▶ Dieses Produkt ist ausschließlich zur privaten Nutzung vorgesehen.

## **3. Montage**



Montageanweisungen finden Sie in der mitgelieferten Montageanleitung.

## **4. Erforderliche Werkzeuge**



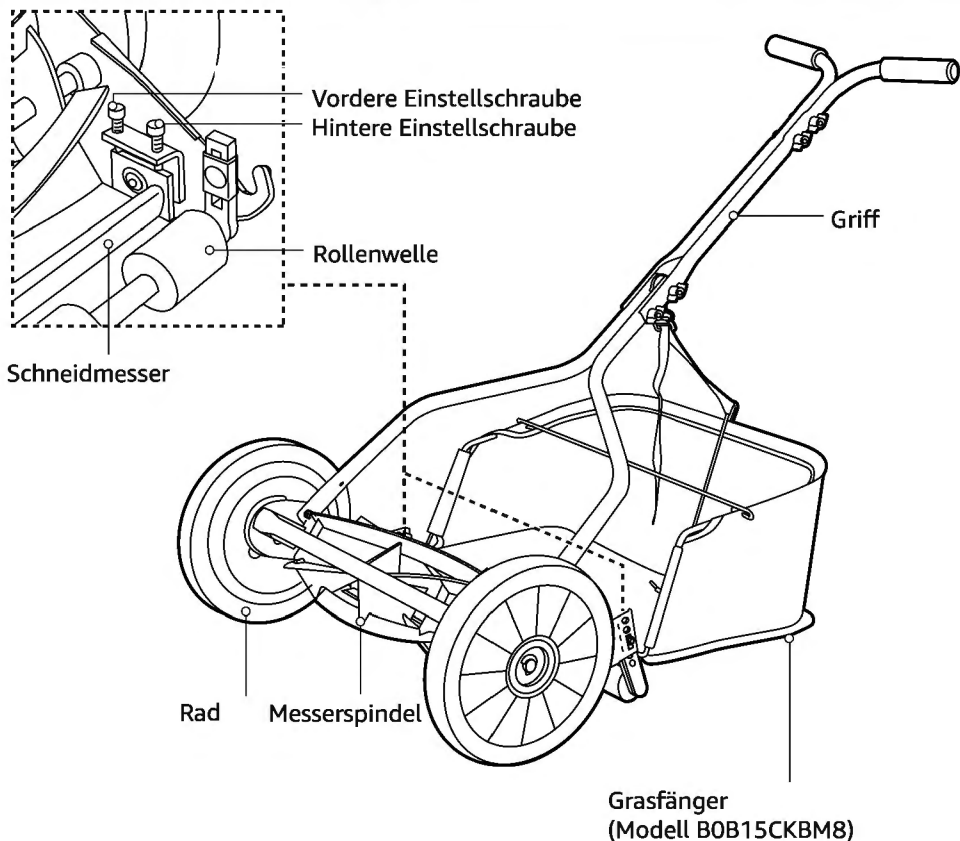
## 5. Vor dem ersten Gebrauch

### **⚠ GEFAHR** Erstickungsrisiko!

Halten Sie alle Verpackungsmaterialien von Kindern und Haustieren fern – diese Materialien stellen eine potenzielle Gefahrenquelle dar, z. B. Erstickten.

- ▶ Entfernen Sie alle Verpackungsmaterialien.
- ▶ Entnehmen und überprüfen Sie alle Komponenten vor Gebrauch.
- ▶ Überprüfen Sie das Produkt auf Transportschäden.
- ▶ Verwenden Sie das Produkt nicht, wenn es beschädigt zu sein scheint.

## 6. Produktbeschreibung

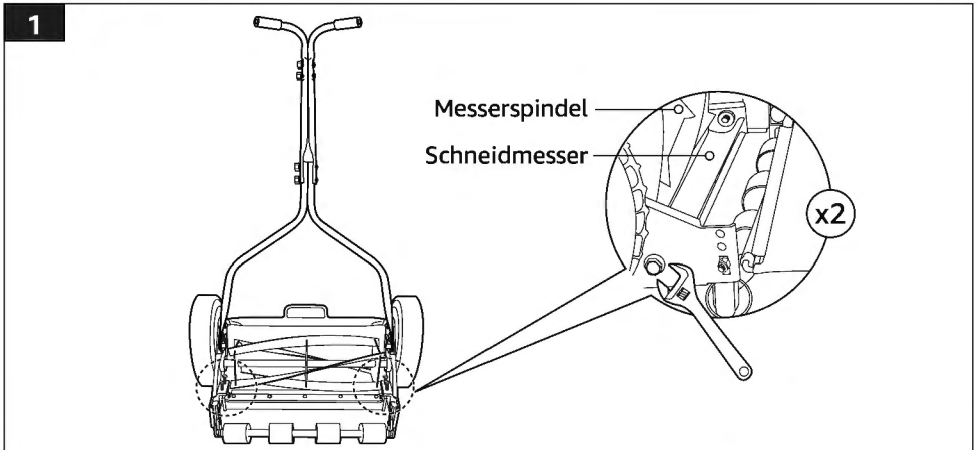


## 7. Messerspindel und Schneidmesser einstellen

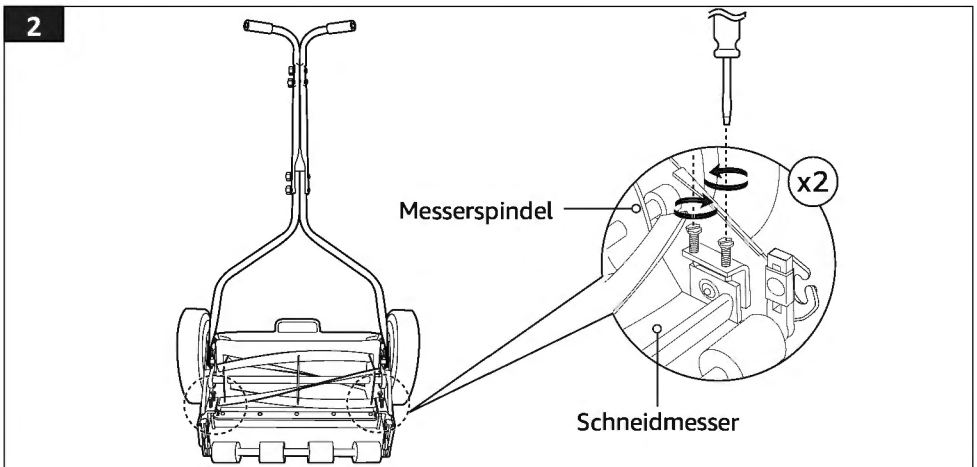
### **⚠ VORSICHT** Verletzungsrisiko!

Tragen Sie immer Schutzhandschuhe, wenn Sie Reinigungs- oder Wartungsarbeiten an den Bereichen des Produkts durchführen, wo sich das Messer befindet.

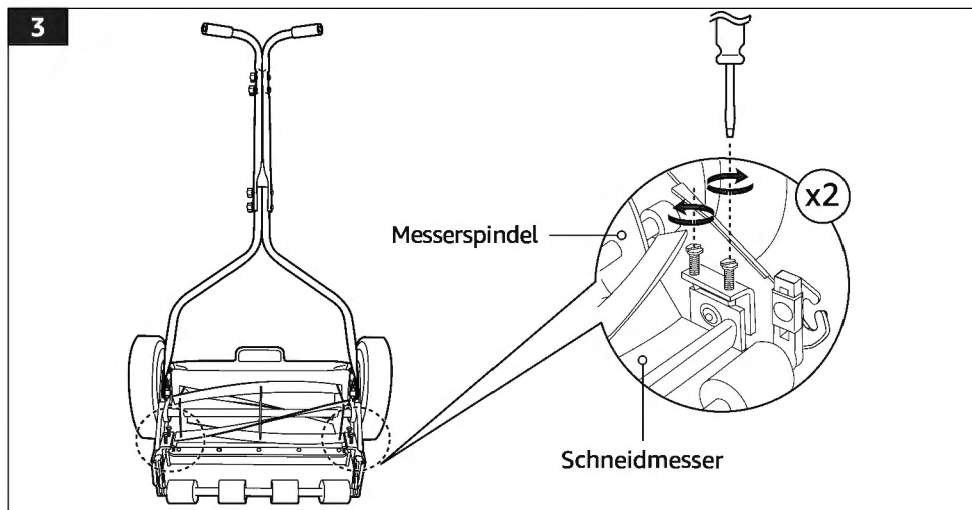
- ▶ Eine falsche Ausrichtung kann dazu führen, dass die Messerspindel zu locker oder zu fest sitzt. Wenn dies der Fall ist, werden Sie einen rauen, ungleichmäßigen Schnitt bemerken oder feststellen, dass sich das Produkt schwer schieben lässt.
- ▶ Alle Einstellungen werden von der Rückseite des Produkts aus vorgenommen.
- ▶ Ziehen Sie die Schrauben an den Seiten an oder lösen Sie sie, um das Schneidmesser einzustellen (Abb. 1).



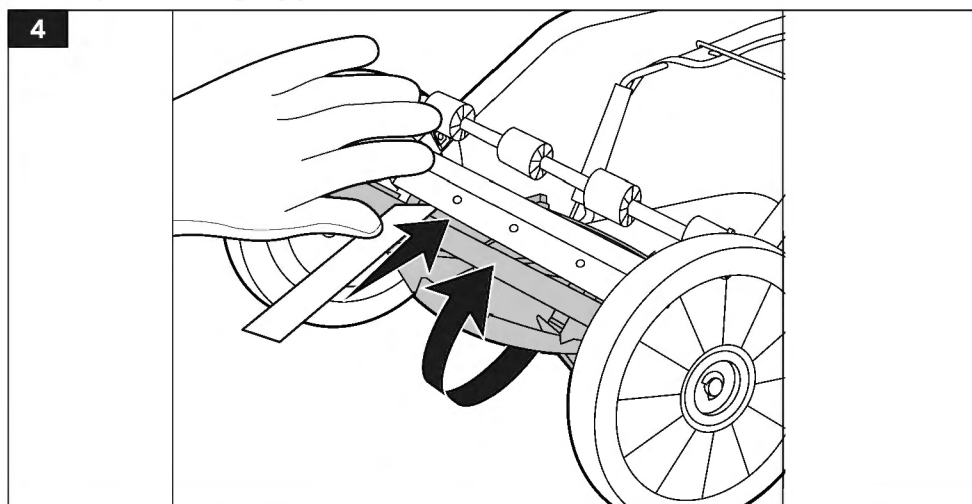
- ▶ Um die Messerspindel zu lockern, lösen Sie die hinteren Einstellschrauben auf beiden Seiten im gleichen Maße, indem Sie sie gegen den Uhrzeigersinn drehen, und ziehen die vorderen Einstellschrauben auf beiden Seiten im gleichen Maße an, indem Sie sie im Uhrzeigersinn drehen (Abb. 2). Das Schneidmesser wird von der Messerspindel wegbewegt.



- Um die Messerspindel festzuziehen, lösen Sie die vorderen Einstellschrauben auf beiden Seiten im gleichen Maße, indem Sie sie gegen den Uhrzeigersinn drehen, und ziehen die hinteren Einstellschrauben auf beiden Seiten im gleichen Maße an, indem Sie sie im Uhrzeigersinn drehen. Das Schneidmesser wird zur Messerspindel hinbewegt (Abb. 3).



- Drehen Sie den Rasenmäher auf den Kopf, um die Einstellung zu überprüfen. Tragen Sie Handschuhe, nehmen Sie einen Papierstreifen und drehen Sie vorsichtig die Messerspindel, sodass ein Messer einen kleinen Teil des Papiers abschneidet (Abb. 4). Wiederholen Sie diesen Schritt für alle Messer. Jedes Messer sollte das Papier gleichmäßig über die gesamte Länge des Schneidmessers zerschneiden, während sich die Spindel leichtgängig dreht.

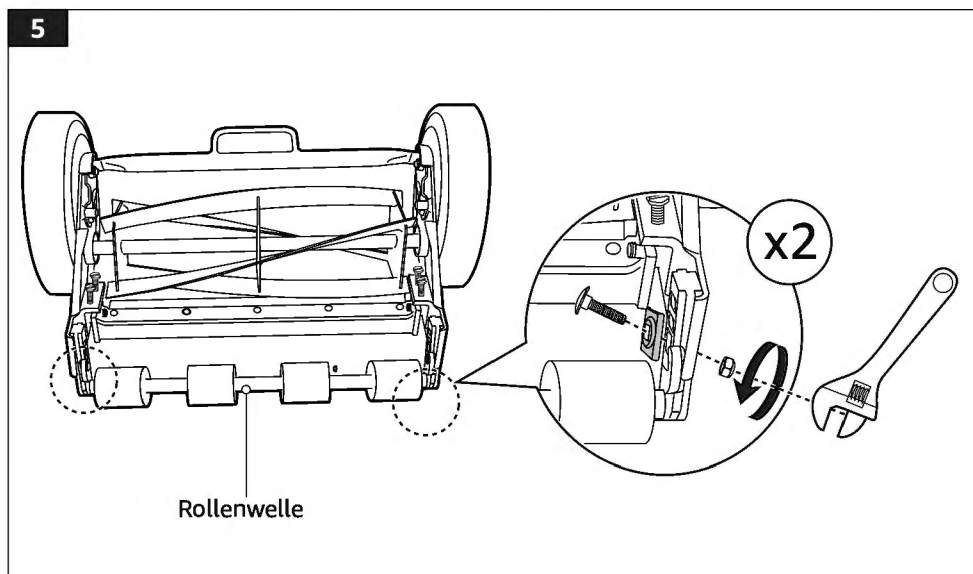


- Falls das Produkt einen unterbrochenen Schnitt zeigt, sollten an der entsprechenden Seite der Messerspindel Einstellungen vorgenommen werden, um eine ordnungsgemäße Schnittfunktion zu erreichen.

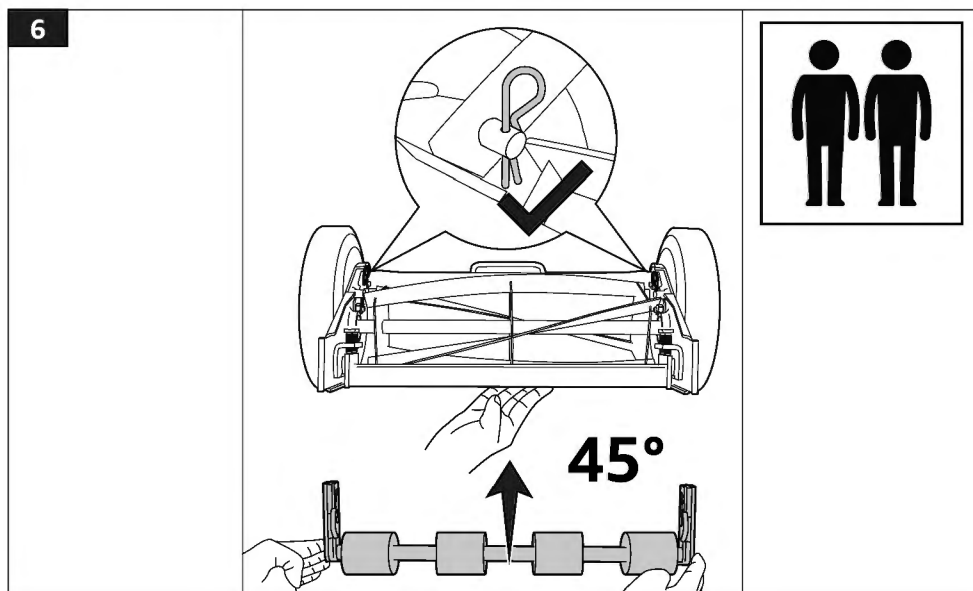


## 8. Höheneinstellung

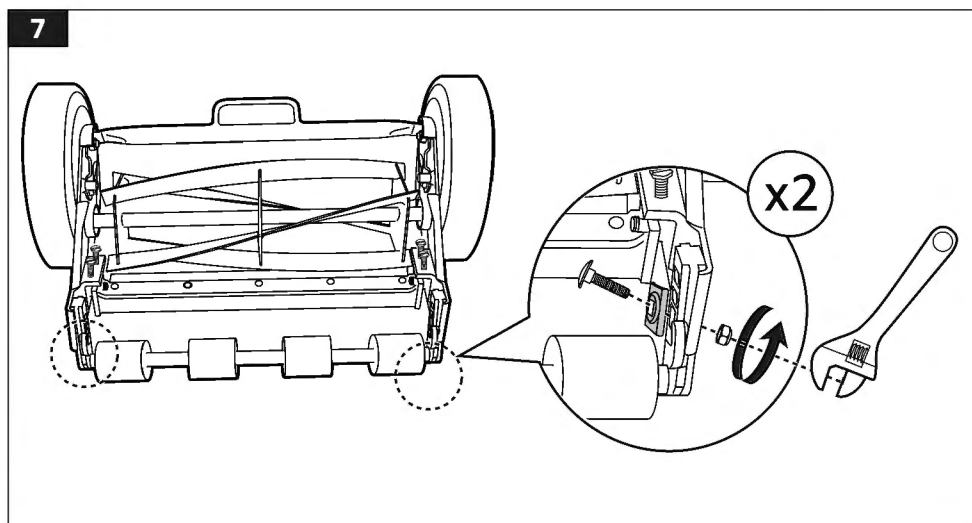
5. Lösen Sie die Schrauben, Muttern und Distanzstücke auf beiden Seiten der Rollenwelle mit einem Schraubenschlüssel und nehmen Sie sie ab. Entfernen Sie die Rollenwelle (Abb. 5).



6. Kippen Sie das Messer des Mähers nach vorn. Setzen Sie die Rollenwelle in einem Winkel von  $45^\circ$  wieder ein (Abb. 6).



7. Richten Sie die Rollenwelle auf die gewünschte Anpassungsstufe aus. Bringen Sie dann die Schrauben, Muttern und Abstandshalter wieder an (Abb. 7).



## 9. Nutzung

### 9.1 Vor jeder Nutzung

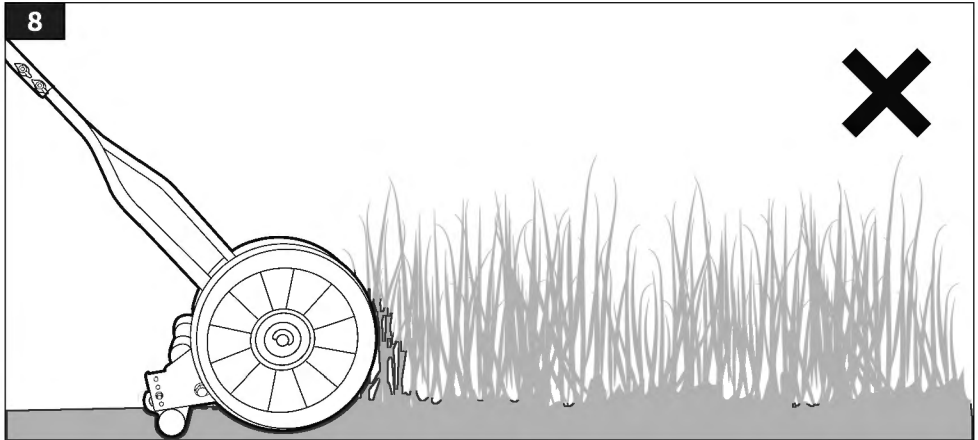
- ▶ Wenn Sie den Rasenmäher zum ersten Mal bedienen, sollten Sie eine praktische Einweisung durch einen erfahrenen Bediener in Anspruch nehmen.
- ▶ Überprüfen Sie den Rasenmäher und dessen Zubehör auf Beschädigungen. Verwenden Sie den Rasenmäher nicht, wenn er beschädigt oder abgenutzt ist.
- ▶ Überprüfen Sie, ob es lockere Schrauben gibt, bewegliche Teile falsch ausgerichtet sind oder blockieren, oder ob andere Bedingungen vorliegen, welche die Nutzung beeinträchtigen könnten. Falls anomale Vibrationen oder Geräusche auftreten, stoppen Sie den Rasenmäher sofort und lassen Sie das Problem beheben, bevor Sie ihn weiter nutzen.
- ▶ Überprüfen Sie, ob das Messer frei von Schmutz ist. Bürsten oder spülen Sie auf den Messern und an der Unterseite des Rasenmähers angesammelte Grasreste ab.
- ▶ Überprüfen Sie vor dem Mähen die Schärfe des Messers. Ein scharfes Messer kann die Leistung des Rasenmähers steigern, insbesondere, wenn Sie hohes Gras schneiden.

**HINWEIS** Nur für Modell BOB15CKBM8: Der Einbau des Grasfängers ist optional. Wenn der Grasfänger nicht installiert ist, können Sie das Schnittgut durch Mulchen wieder im Garten verteilen.

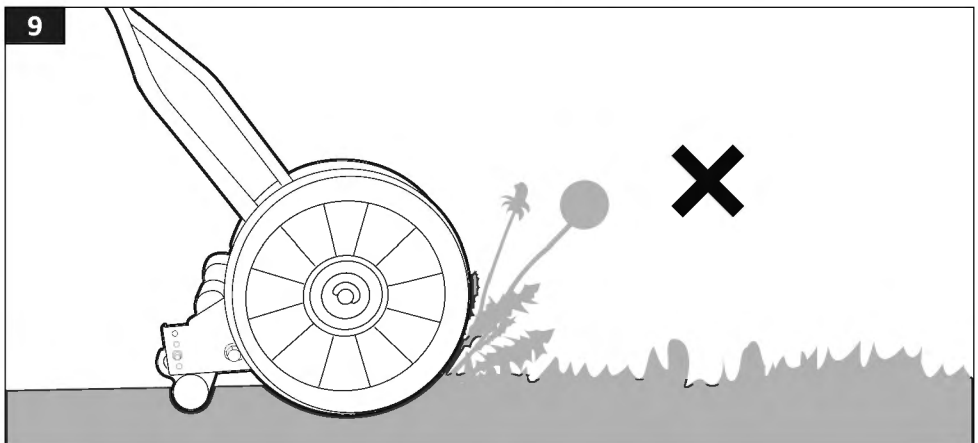
### 9.2 Tipps zum Mähen

- ▶ Gehen Sie in einem gleichmäßigen Tempo. Die Rotation des Mähmessers beruht darauf, dass sich die Räder in einem schnellen Schrittempo drehen, um optimale Ergebnisse zu erzielen.
- ▶ Mähen Sie nicht in Kreisen. Bewegen Sie das Produkt auf dem Rasen hin und her.

- ▶ Mähen Sie nicht, wenn der Boden oder das Gras nass ist. Nasse Erde und Gras können an den Messern und an der Unterseite des Produkts haften bleiben.
- ▶ Verzichten Sie darauf, den Rasen vor dem Mähen mit Chemikalien zu besprühen.
- ▶ Verringern Sie beim Schneiden von dichtem Gras die Geschwindigkeit, um einen effektiveren Schnitt zu ermöglichen und das Schnittgut ordnungsgemäß abzuführen.
- ▶ Vermeiden Sie es, das Gras zu hoch werden zu lassen (Abb. 8). Es ist schwieriger, den Rasenmäher durch hohes Gras zu schieben. Es empfiehlt sich, den Rasen wöchentlich zu mähen.

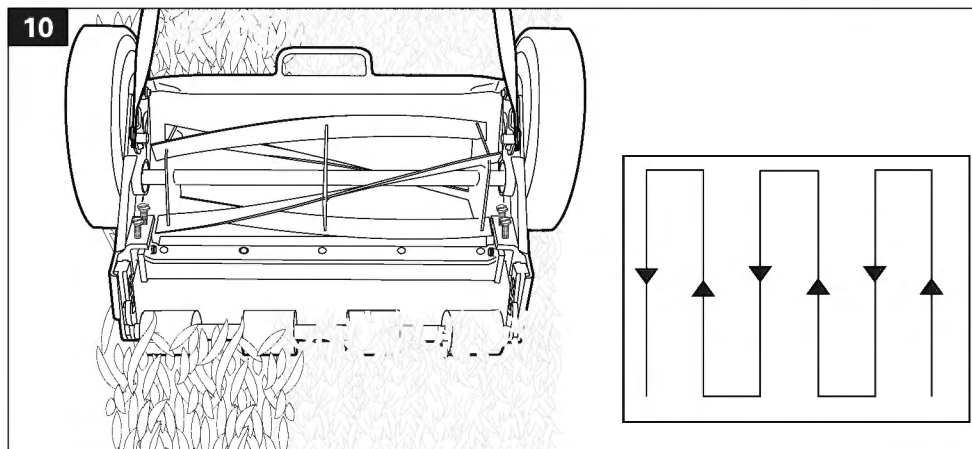


- ▶ Mähen Sie kein hohes Unkraut (Abb. 9). Beseitigen Sie zuerst alles Unkraut oder wenden Sie sich an Ihren lokalen Rasenspezialisten, wenn Sie Unkrautbefall haben.



- ▶ Stellen Sie das Produkt auf die maximale Schnitthöhe ein, wenn Sie auf unebenem Boden oder in hohem Bewuchs mähen.
- ▶ Mähen Sie entsprechend der Höhe des Grases. Mähen Sie bei jedem Mähgang nicht mehr als ein Drittel der Gesamthöhe Ihres Rasens ab. Ein durchschnittlicher Rasen sollte in den kühlen Monaten etwa 1-1/2 bis 2 Zoll (38-50 mm) und in den heißen Monaten zwischen 2 und 3-1/4 Zoll (50-83 mm) lang sein. Es empfiehlt sich nicht, Gras oder hochgewachsenes Unkraut zu mähen, das höher als 7 Zoll (180 mm) ist.

- ▶ Es empfiehlt sich, in den frühen Morgenstunden oder am späten Nachmittag nach einem trockenen Tag zu mähen. Dadurch werden Verklumpungen, Beschädigungen des Rasens und Hitzestress für das Gras vermieden.
- ▶ Erst um den Rand herum zu mähen, kann helfen, den Rasen zu begradigen und gibt Raum zum Wenden, wenn man in Reihen vorwärts und rückwärts mäht.
- ▶ Mähen Sie in geraden Linien mit leichter Überlappung vor und zurück (Abb. 10). Setzen Sie diesen Vorgang fort, bis der gesamte Abschnitt gemäht ist.



## 10. Reinigung und Wartung

### **⚠ VORSICHT** Verletzungsrisiko!

Tragen Sie immer Schutzhandschuhe, wenn Sie Reinigungs- oder Wartungsarbeiten an den Bereichen des Produkts durchführen, wo sich das Messer befindet.

#### 10.1 Schnelle Reinigung

- ▶ Wischen Sie das äußere Gehäuse mit einem feuchten, fusselfreien Tuch ab. Trocknen Sie es nach dem Reinigen ab.
- ▶ Nutzen Sie nie ätzende Reinigungsmittel, Drahtbürsten, Scheuermittel oder metallische oder scharfe Utensilien, um den Rasenmäher zu reinigen.

#### 10.2 Intensive Reinigung

##### **HINWEIS**

Reinigen Sie das Produkt nach jedem Gebrauch von Grasschnitt, Blättern, Schmutz und anderen Verunreinigungen.

1. Drehen Sie das Produkt auf die Seite.
2. Kratzen Sie mit einem Farbspachtel aus Kunststoff (nicht im Lieferumfang enthalten) oder einem ähnlichen nicht-metallischen Werkzeug die Grasreste von der Unterseite ab.
3. Schrubben Sie mit einer weichen Bürste an der Unterseite und an den Rädern verbliebene Grasreste und Verunreinigungen ab.
4. Nutzen Sie einen Gartenschlauch, um das Produkt abzuspritzen.

5. Wischen Sie die Teile mit einem trockenen Tuch ab.
6. Sprühen Sie nach der Reinigung etwas Pflanzenöl auf die Teile des Rasenmähers, um das Ansammeln von Grasschnitt zu verringern.
7. Bringen Sie das Produkt nach der Reinigung in eine aufrechte Position.

### 10.3 Grasfänger (Modell B0B15CKBM8)

---

1. Nehmen Sie den Grasfänger vom Rasenmäher ab.
2. Leeren Sie den Grasfänger.
3. Spritzen Sie die Außenseite und das Innere des Grasfängers mit einem Schlauch ab und schrubben Sie die Ablagerungen vorsichtig mit einer weichen Bürste ab.
4. Lassen Sie den Grasfänger vollständig trocknen, bevor Sie ihn wieder am Rasenmäher befestigen.

### 10.4 Wartung und Lagerung

---

- ▶ Überprüfen Sie die Komponenten regelmäßig, um sicherzustellen, dass alle Schrauben fest angezogen sind.
- ▶ Reinigen Sie den Rasenmäher, bevor Sie ihn einlagern.
- ▶ Lagern Sie den Rasenmäher nicht in der Nähe von ätzenden Materialien wie Dünger oder Steinsalz.
- ▶ Lagern Sie das Produkt an einem kühlen, trockenen Ort – am besten in der Originalverpackung – und außerhalb der Reichweite von Kindern und Haustieren.

### 10.5 In einem Fahrzeug transportieren

---

- ▶ Greifen Sie beim Anheben des Rasenmähers den kleinen Griff über den Messern und den Griff des Rasenmähers. Nutzen Sie beide Hände.
- ▶ Sichern Sie den Rasenmäher, wenn Sie ihn in einem Fahrzeug transportieren, um Umkippen und Beschädigung zu vermeiden. Verwenden Sie bei Bedarf eine Spannleine oder eine Ratsche zum Verzurren.
- ▶ Falls keine geeignete Laderampe zur Verfügung steht, bitten Sie eine andere Person um Hilfe, wenn Sie den Rasenmäher auf ein Fahrzeug laden.

### 10.6 Einölen

---

- ▶ Ölen Sie die beweglichen Teile und Drehpunkte mindestens einmal pro Mähseason mit Leichtöl, um Rostbildung zu vermeiden.
- ▶ Ölen Sie die Radachse mit Leichtöl ein, wenn sich die Räder während des Betriebs nicht leichtgängig bewegen.

#### 10.6.1 Messerspindel schärfen

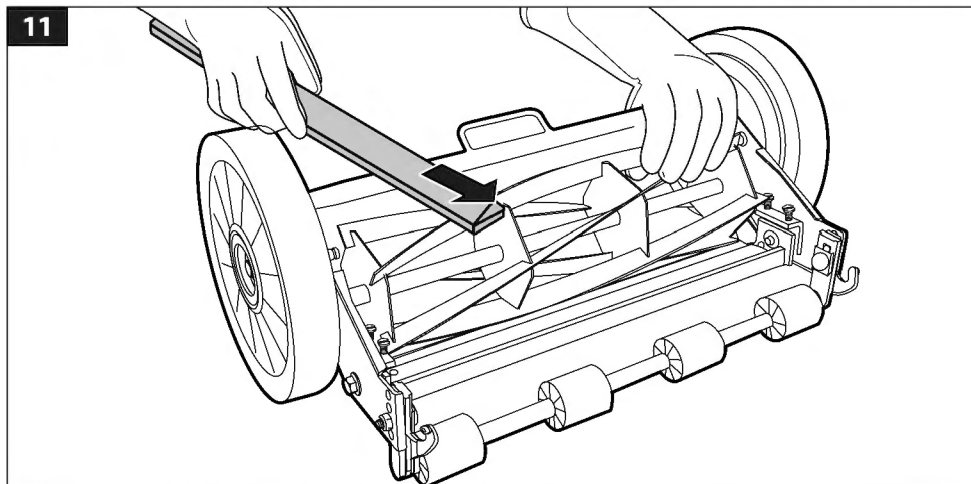
#### **⚠ VORSICHT Verletzungsrisiko!**

- ▶ Tragen Sie immer Schutzhandschuhe und eine Schutzbrille, wenn Sie die Messerspindel schärfen.
- ▶ Überprüfen Sie regelmäßig die Messerspindel und betreiben Sie das Produkt nicht mit einem abgenutzten oder beschädigten Messer. Schärfen Sie das Messer nicht, wenn es übermäßig abgenutzt, verbogen, rissig oder anderweitig beschädigt ist. Lassen Sie es stattdessen von einer professionellen Reparaturwerkstatt reparieren.

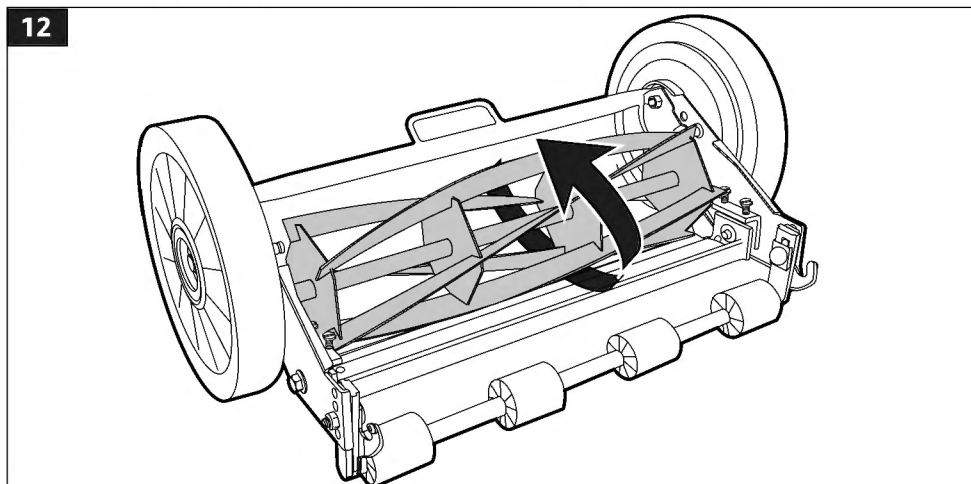
**HINWEIS**

- ▶ Schärfen Sie das Messer, wenn es stumpf ist. Halten Sie das Messer scharf, damit das Gras sachgemäß geschnitten werden kann.
- ▶ Unter normalen Bedingungen empfiehlt es sich, das Messer zweimal während einer Mähseason zu schärfen. Wenn der Rasen sandigen Boden hat, kann häufigeres Schärfen erforderlich sein.

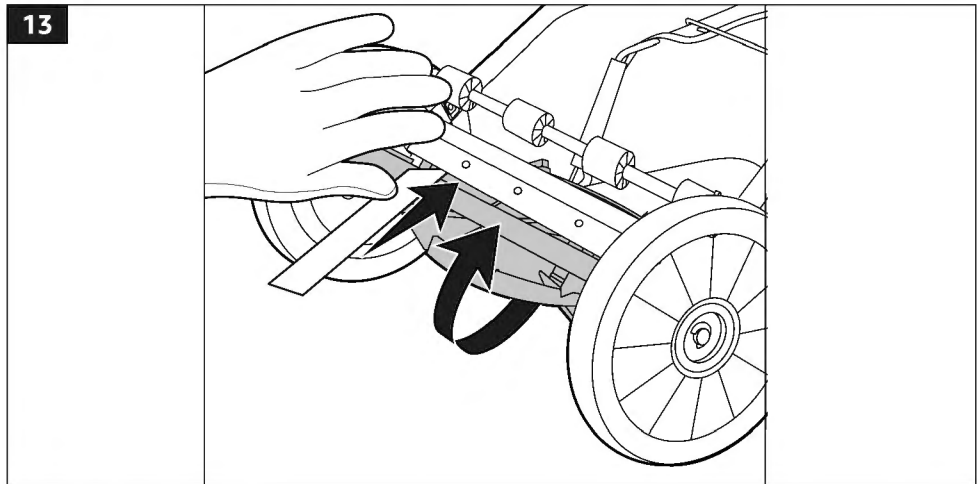
1. Stellen Sie den Mäher auf eine stabile Oberfläche, sodass sich die Messerspindel im Gleichgewicht drehen kann.
2. Legen Sie eine 10-Zoll-Metallfeile bereit und tragen Sie Schutzhandschuhe.
3. Halten Sie die Messerspindel mit einer Hand an der Seite fest. Führen Sie die Feile mit gleichmäßigen Bewegungen über das obere Messer, weg von der Kante. Drehen Sie die Messerspindel leicht, um der Kurve über ihre gesamte Länge hinweg zu folgen (Abb. 11).



4. Drehen Sie die Messerspindel so, dass sich das nächste Messer in der obersten Position befindet (Abb. 12). Schärfen Sie die übrigen Messer.



- Zum Prüfen der Schärfe drehen Sie den Rasenmäher auf den Kopf. Tragen Sie Handschuhe, nehmen Sie einen Papierstreifen und drehen Sie vorsichtig die Messerspindel, sodass ein Messer einen kleinen Teil des Papiers abschneidet (Abb. 13). Wiederholen Sie diesen Schritt für alle Messer. Jedes Messer sollte das Papier gleichmäßig über die gesamte Länge des Schneidmessers zerschneiden, während sich die Spindel leichtgängig dreht.



## 11. Entsorgung



Entsorgen Sie das Produkt gemäß den örtlichen Vorschriften. Wenden Sie sich im Zweifelsfall an Ihre örtlichen Behörden.

## 12. Informationen zum Importeur

	Für die EU
Postanschrift:	Amazon EU S.à r.l., 38 Avenue John F. Kennedy, L-1855 Luxemburg
Handelsregisternummer:	134248

## 13. Feedback und Hilfe

Wir würden uns sehr über Ihr Feedback freuen. Um sicherzustellen, dass wir die bestmögliche Kundenerfahrung bieten, möchten wir Sie bitten, eine Kundenbewertung zu schreiben.



**DE:** [amazon.de/review/review-your-purchases#](https://amazon.de/review/review-your-purchases#)  
**BE:** [amazon.com.be/review/review-your-purchase#](https://amazon.com.be/review/review-your-purchase#)

Bitte nutzen Sie die untenstehende Website, falls Sie Hilfe mit Ihrem Amazon Basics-Produkt benötigen.



**DE:** [amazon.de/gp/help/customer/contact-us](https://amazon.de/gp/help/customer/contact-us)  
**BE:** [amazon.com.be/gp/help/customer/contact-us](https://amazon.com.be/gp/help/customer/contact-us)

## 1. Istruzioni Importanti per la Sicurezza



Leggere attentamente le istruzioni e conservarle per un utilizzo futuro. In caso di cessione del prodotto a terzi, avere cura di consegnare queste istruzioni.

### **ATTENZIONE**

Durante l'uso di questo tagliaerba manuale, osservare sempre le precauzioni di sicurezza generali per ridurre il rischio di lesioni personali, incluso quanto segue:

- Tenere lontano i bambini – Tutti i visitatori devono essere tenuti a distanza dall'area di lavoro.
- Non utilizzare il prodotto sotto l'influenza di alcool o droghe.
- Vestirsi in modo adeguato – Non indossare abiti larghi o gioielli. Potrebbero impigliarsi nelle parti in movimento. Quando si lavora all'esterno, si raccomanda di indossare guanti protettivi e calzature idonee.
- Utilizzare il giusto prodotto – Non utilizzare il prodotto per un lavoro diverso da quello a cui è destinato.
- Non forzare il prodotto – Il prodotto svolgerà meglio il lavoro per il quale è stato progettato, con minori probabilità di rischio di lesioni.
- Non sporgersi eccessivamente – Mantenersi sempre in posizione stabile e in equilibrio.
- Stare all'erta: fare attenzione a ciò che si sta facendo. Usare il buon senso. Non utilizzare il prodotto quando si è stanchi.
- Conservare il prodotto al coperto – Quando non è in uso, il prodotto deve essere conservato al coperto, in un luogo asciutto, alto o chiuso a chiave, fuori dalla portata dei bambini.
- Mantenere il prodotto con cura – Tenere le lame ben affilate e pulite per ottenere prestazioni migliori e più sicure.
  - Seguire le istruzioni per la lubrificazione.
  - Mantenere le impugnature asciutte, pulite e prive di olio e grasso.
- Tenere mani e piedi lontano dall'area di taglio.
- Gli oggetti colpiti dalle lame possono causare gravi lesioni personali. Il prato deve essere sempre controllato attentamente e privato di ogni oggetto prima del taglio.
- Se il prodotto colpisce un oggetto estraneo, seguire le fasi indicate:
  - Smettere di tagliare.
  - Ispezionare per verificare la presenza di eventuali danni.
  - Riparare eventuali danni prima di ricominciare a utilizzare il prodotto.
- Utilizzare il prodotto solo alla luce diurna o con un'adeguata illuminazione artificiale.
- Evitare buche, solchi, dossi, sassi, o altri pericoli nascosti. Un terreno irregolare potrebbe ribaltare il prodotto, o far perdere l'equilibrio o la stabilità all'operatore.
- Non dirigere il materiale di scarico verso nessuno. Non scaricare il materiale contro una parete o uno sbarramento. Il materiale potrebbe rimbalzare verso l'operatore. Inclinare la lama/le lame quando si attraversano superfici ghiaiose.
- Non lasciare il prodotto incustodito. Parcheggiare sempre su un fondo piano.
- Non tagliare all'indietro se non assolutamente necessario. Guardare sempre in basso e dietro prima e durante l'arretramento.



- ▶ Le pendenze sono uno dei principali fattori legati agli incidenti. Operare in pendenza richiede una cautela supplementare.
- ▶ In pendenza, spostarsi nella direzione raccomandata dal produttore. Usare cautela quando si opera vicino a discese ripide.
- ▶ Evitare di tagliare erba bagnata. Una posizione instabile potrebbe causare un infortunio da scivolamento e caduta.
- ▶ Non usare il prodotto in condizioni in cui trazione, sterzata o stabilità siano in questione.
- ▶ Evitare cambi improvvisi di velocità o direzione. Curvare lentamente e in modo graduale.
- ▶ Non modificare o tentare di riparare il prodotto diversamente da come indicato nelle istruzioni di uso e manutenzione.
- ▶ Questo prodotto deve essere assemblato da un adulto.
- ▶ Non stringere eccessivamente gli elementi di fissaggio.
- ▶ Tenere lontano i bambini e gli animali domestici durante l'assemblaggio del prodotto.

### **⚠ ATTENZIONE** Pericolo di lesioni!

- ▶ Solo accessori e attrezzature specificati dal produttore sono accettabili per l'uso con il prodotto. L'utilizzo di qualsiasi altro accessorio o attrezzatura può aumentare il rischio di lesioni!
- ▶ Solo per il modello B0B15CKBM8: A normali condizioni d'uso, il raccoglierba è sottoposto a deterioramento e usura e, pertanto, deve essere frequentemente controllato per la sostituzione. Un raccoglierba sostitutivo deve essere controllato per verificarne la conformità con le raccomandazioni o le specifiche del produttore originale.

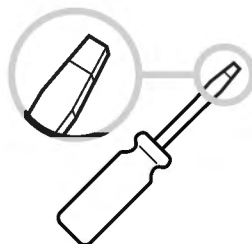
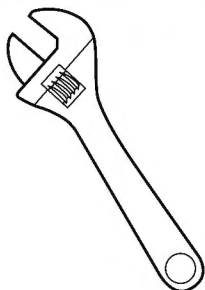
## 2. Uso Previsto

- ▶ Il prodotto è destinato al taglio di erba in ambienti domestici e di giardinaggio. È principalmente utilizzato per la manutenzione di piccoli prati residenziali e di giardini domestici/per hobby.
- ▶ Questo prodotto non è destinato all'utilizzo su terreni accidentati o ricoperti di sterpaglie.
- ▶ Questo prodotto è destinato unicamente all'uso privato.

## 3. Montaggio

- ▶ **✂** Per le istruzioni di assemblaggio, fare riferimento al manuale di assemblaggio fornito.

## 4. Strumenti necessari



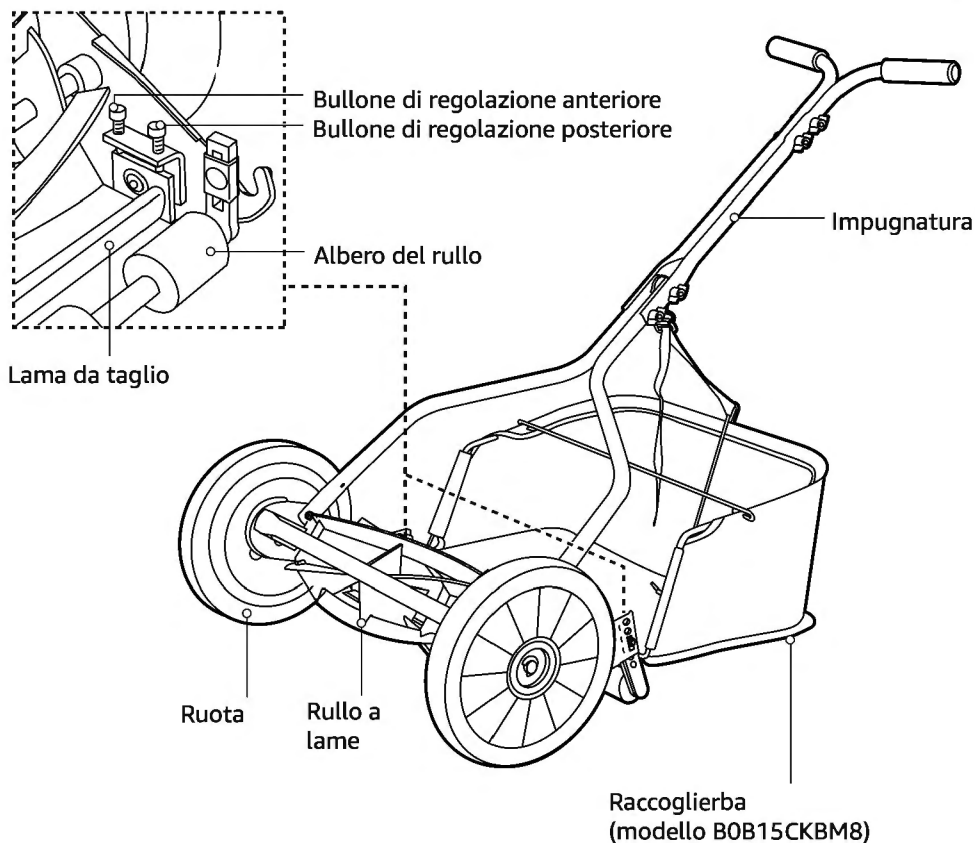
## 5. Prima del Primo Utilizzo

### **⚠ PERICOLO** Pericolo di soffocamento!

Tenere qualsiasi materiale di imballaggio lontano dalla portata dei bambini e degli animali domestici: questi materiali sono una potenziale sorgente di pericolo, come ad esempio il soffocamento.

- ▶ Rimuovere tutto il materiale di imballaggio.
- ▶ Rimuovere ed esaminare tutti i componenti prima dell'uso.
- ▶ Controllare che il prodotto non abbia subito danni durante il trasporto.
- ▶ Non utilizzare il prodotto se appare danneggiato.

## 6. Descrizione del Prodotto

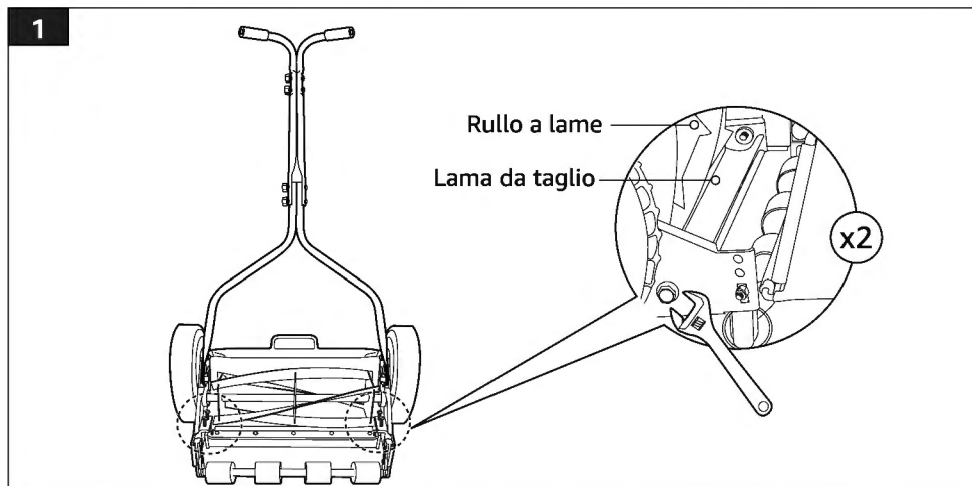


## 7. Regolazione della lama da taglio e del rullo a lame

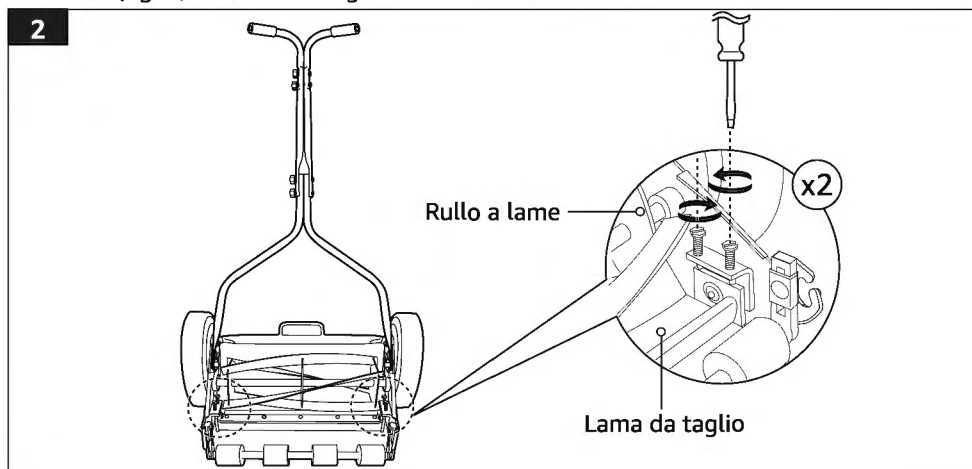
### **⚠ ATTENZIONE** Pericolo di lesioni!

Indossare sempre guanti protettivi quando si eseguono operazioni di pulizia o manutenzione sul prodotto, dove è posizionata la lama.

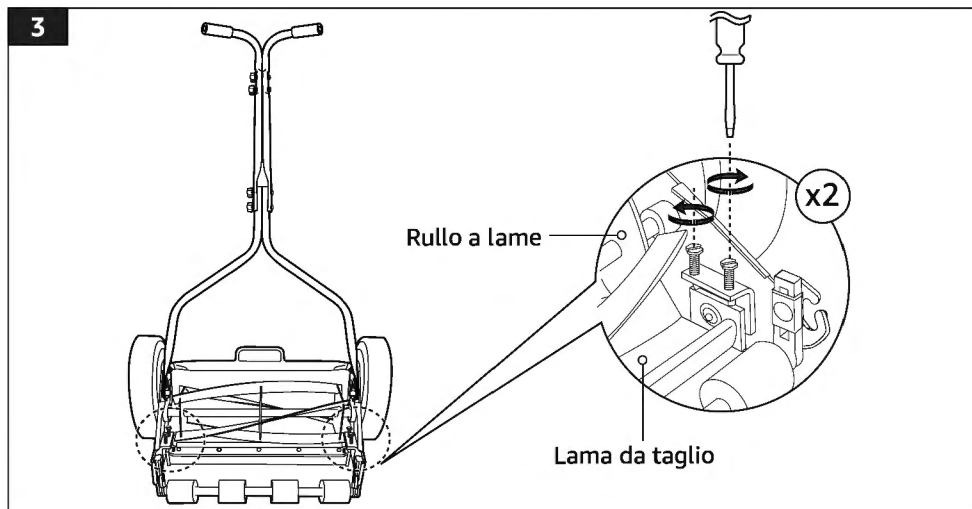
- ▶ Si può verificare un disallineamento che può portare a un rullo a lame troppo allentato o troppo stretto. In questo caso, si noterà un taglio grezzo e irregolare o che il prodotto è duro da spingere.
- ▶ Tutte le regolazioni vengono effettuate dalla parte posteriore del prodotto.
- ▶ Per regolare la lama da taglio, stringere o allentare le viti ai lati (fig. 1).



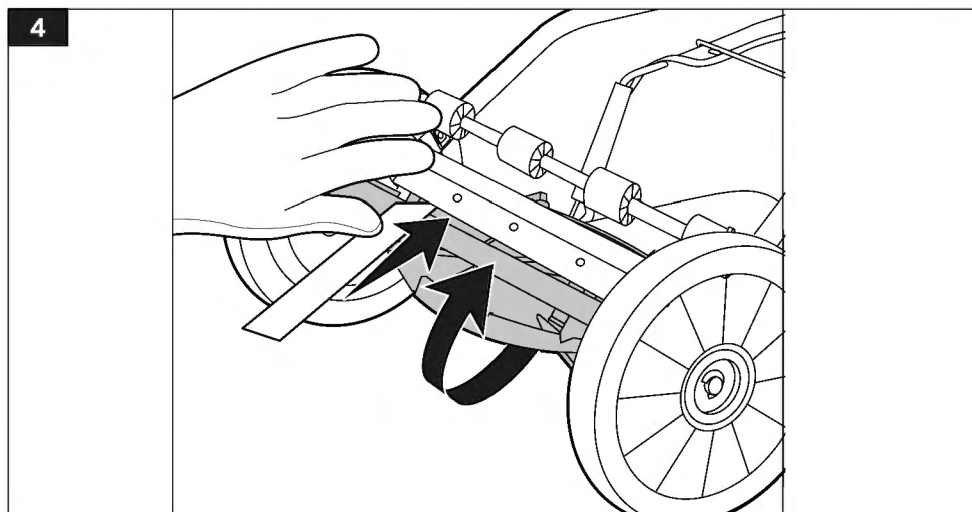
- ▶ Per allentare il rullo a lame, allentare i bulloni di regolazione posteriori in modo uguale su entrambi i lati ruotandoli in senso antiorario e stringere i bulloni di regolazione anteriori in modo uguale su entrambi i lati ruotandoli in senso orario (fig. 2). La lama da taglio si allontana dal rullo a lame.



- ▶ Per stringere il rullo a lame, allentare i bulloni di regolazione anteriori in modo uguale su entrambi i lati ruotandoli in senso antiorario e stringere i bulloni di regolazione posteriori in modo uguale su entrambi i lati ruotandoli in senso orario. La lama da taglio si avvicina al rullo a lame (fig. 3).



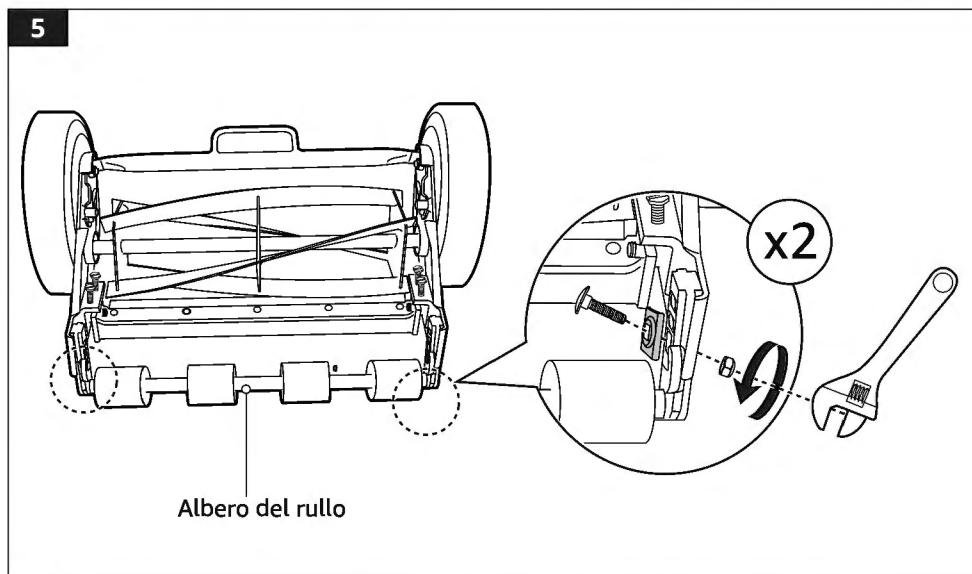
- ▶ Per controllare la regolazione, capovolgere il tagliaerba. Indossando i guanti, prendere una striscia di carta e ruotare con attenzione il rullo a lame in modo che la lama tagli una piccola porzione della carta (fig. 4). Ripetere per tutte le lame. Ogni lama deve tagliare uniformemente la carta su tutta la lunghezza della lama da taglio mentre il rullo gira senza problemi.



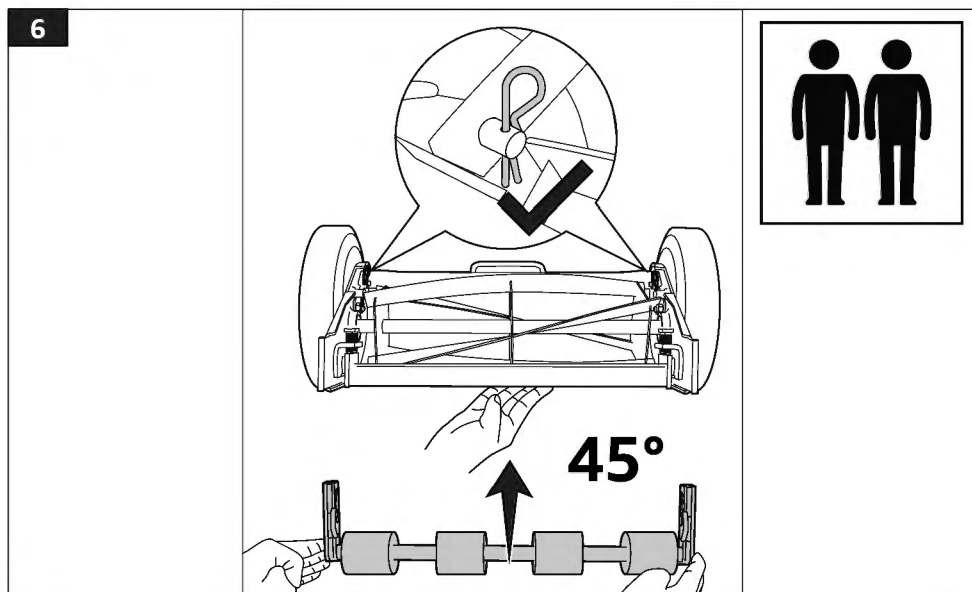
- ▶ Se il prodotto ha un taglio intermittente, è necessario regolare il lato appropriato del rullo a lame per ottenere l'azione di taglio corretta.

## 8. Regolazione dell'altezza

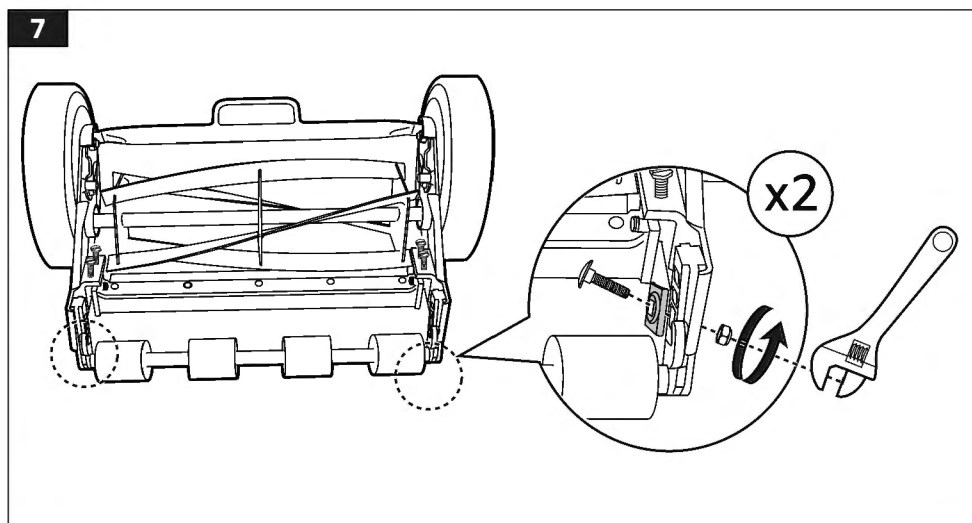
5. Con una chiave, allentare e rimuovere i bulloni, i dadi e i distanziali su entrambi i lati dell'albero del rullo. Rimuovere l'albero del rullo (fig. 5).



6. Inclinare in avanti la lama del tagliaerba. Inserire nuovamente l'albero del rullo con un angolo di 45° (fig. 6).



7. Allineare l'albero del rullo al livello di regolazione desiderato, poi rimontare i bulloni, i dadi e i distanziali (fig. 7).



## 9. Utilizzo

### 9.1 Prima di ogni utilizzo

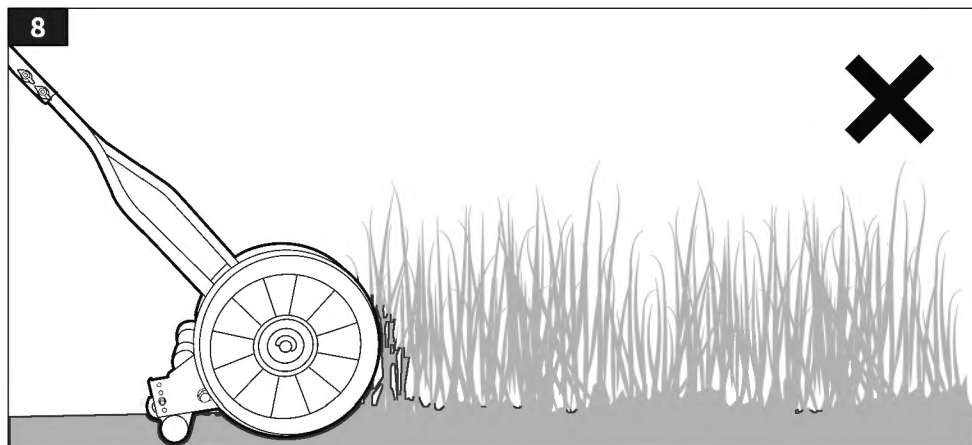
- ▶ Quando l'operatore si avvicina per la prima volta all'uso del tagliaerba, deve ricevere istruzioni pratiche sull'uso da parte di un operatore esperto.
- ▶ Controllare che il tagliaerba e i suoi accessori non siano danneggiati. Non usare il tagliaerba se danneggiato o usurato.
- ▶ Controllare che non vi siano bulloni allentati, disallineamenti o impedimenti delle parti mobili o qualsiasi altra condizione che possa comprometterne l'uso. Se si verificano vibrazioni o rumori anomali, smettere immediatamente di usare il tagliaerba e far risolvere il problema prima di utilizzarlo ulteriormente.
- ▶ Controllare che la lama sia priva di residui. Spazzolare o lavare via eventuali residui di erba accumulati sulla lama e sul lato inferiore del tagliaerba.
- ▶ Controllare che la lama sia affilata prima di tagliare. Una lama affilata può migliorare le prestazioni del tagliaerba, specialmente quando si taglia erba alta.

**AVVISO** Solo per il modello B0B15CKBM8: L'installazione del raccogliherba è facoltativa. Senza il raccogliherba installato, è possibile ridistribuire gli sfalci nel giardino tramite sminuzzamento.

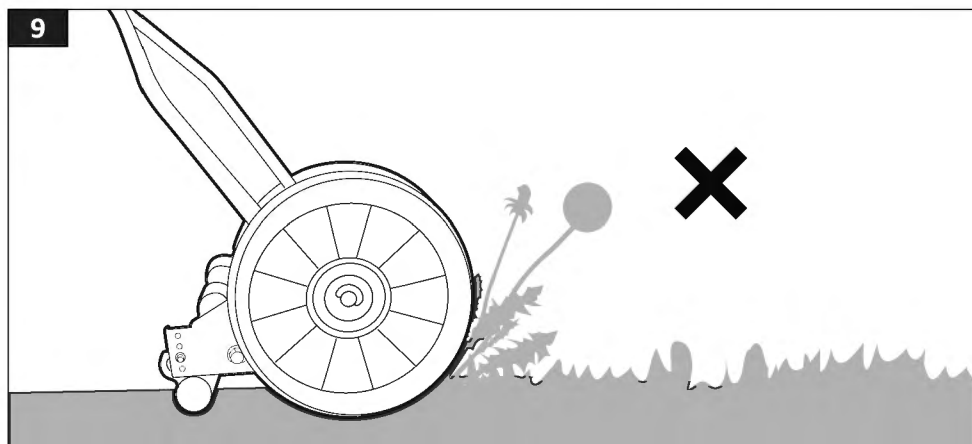
### 9.2 Consigli per tagliare l'erba

- ▶ Procedere a passo costante. La rotazione della lama del tagliaerba si basa sulle ruote che girano a passo veloce per ottenere i migliori risultati.
- ▶ Non tagliare in cerchio. Muovere il prodotto in avanti e all'indietro lungo tutto il prato.

- ▶ Non tagliare quando il terreno o l'erba sono bagnati. Il terreno o l'erba, se bagnati, possono attaccarsi alla lama e al lato inferiore del prodotto.
- ▶ Evitare di spruzzare sostanze chimiche sul prato prima del taglio.
- ▶ Quando si taglia erba grossa, ridurre la velocità di avanzamento per consentire un taglio più efficace e uno scarico corretto degli sfalci d'erba.
- ▶ Evitare di lasciare che l'erba diventi troppo alta (fig. 8). Diventa più difficile spingere il tagliaerba quando l'erba è alta. Si raccomanda di tagliare il prato ogni settimana.

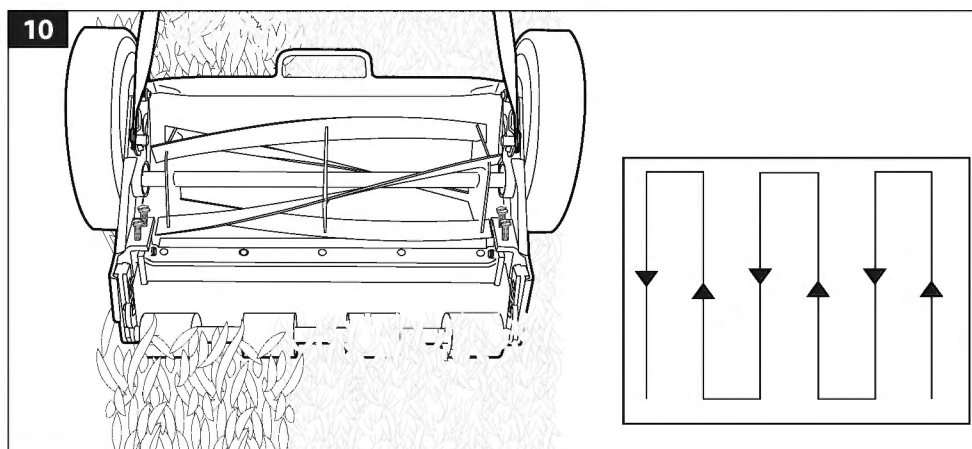


- ▶ Non tagliare erbe infestanti alte (fig. 9). In caso di infestazione di erbe spontanee, occorre prima eliminarle tutte o contattare il servizio locale di manutenzione prati.



- ▶ Impostare il prodotto all'altezza di taglio massima quando si taglia su terreno irregolare o in presenza di vegetazione alta.

- ▶ Tagliare in base all'altezza dell'erba. Ad ogni operazione, non tagliare più in basso di un terzo dell'altezza totale dell'erba. Il prato medio dovrebbe avere una lunghezza da circa 1-1/2 a 2 pollici (38–50 mm) durante i mesi freddi, e tra 2 e 3-1/4 pollici (50–83 mm) durante i mesi caldi. Non è consigliabile tagliare erba o erbacce alte più di 7 pollici (180 mm).
- ▶ Si raccomanda di tagliare a metà mattinata o nel tardo pomeriggio dopo una giornata asciutta. Questo riduce agglomerazioni, danni al prato, e stress termico sull'erba.
- ▶ Tagliare prima intorno al perimetro può aiutare a squadrare il prato e lascia spazio per svoltare quando si taglia avanti e indietro a file.
- ▶ Tagliare con un movimento in avanti e all'indietro in linee rette con una leggera sovrapposizione (fig. 10). Continuare questo processo fino a tagliare l'intera sezione.



## 10. Pulizia e Manutenzione

### **⚠ ATTENZIONE** Pericolo di lesioni!

Indossare sempre guanti protettivi quando si eseguono operazioni di pulizia o manutenzione sul prodotto, dove è posizionata la lama.

#### 10.1 Pulizia rapida

- ▶ Pulire l'alloggiamento esterno con un panno umido e privo di lanugine. Asciugare accuratamente dopo la pulizia.
- ▶ Non usare mai detergenti corrosivi, spazzole metalliche, spugne abrasive, utensili metallici o affilati per pulire il tagliaerba.

#### 10.2 Pulizia profonda

##### **AVVISO**

Eliminare sfalci, foglie, sporco e altri residui dal prodotto dopo ogni uso.

1. Girare il prodotto su un lato.
2. Raschiare i residui di erba dal lato inferiore utilizzando un raschietto di plastica da vernice (non incluso) o un utensile non metallico simile.



3. Strofinare via eventuali sfalci di erba rimasti e residui dal lato inferiore e dalle ruote utilizzando una spazzola morbida.
4. Utilizzare un tubo flessibile da giardino per lavare il prodotto.
5. Asciugare le parti con un panno asciutto.
6. Per ridurre l'accumulo di sfalci, spruzzare leggermente un po' di olio vegetale sulle parti del tagliaerba dopo la pulizia.
7. Posizionare il prodotto in verticale dopo la pulizia.

### 10.3 Pulizia del raccoglierba (modello B0B15CKBM8)

---

1. Staccare il raccoglierba dal tagliaerba.
2. Svuotare il raccoglierba.
3. Lavare la parte esterna e interna del raccoglierba e strofinare delicatamente per eliminare i residui utilizzando una spazzola morbida.
4. Lasciare asciugare completamente il raccoglierba prima di attaccarlo al tagliaerba.

### 10.4 Manutenzione e Conservazione

---

- ▶ Verificare regolarmente i componenti per assicurarsi che tutti i bulloni siano serrati.
- ▶ Pulire il tagliaerba prima di conservarlo.
- ▶ Conservare il tagliaerba lontano da materiali corrosivi, come fertilizzanti o salgemma.
- ▶ Conservare in un luogo fresco e asciutto, idealmente nella confezione originale, fuori dalla portata di bambini e animali domestici.

### 10.5 Trasporto in un veicolo

---

- ▶ Per sollevare il tagliaerba, afferrare la piccola impugnatura sopra le lame e l'impugnatura del tagliaerba. Usare entrambe le mani.
- ▶ Durante il trasporto in un veicolo fissare il tagliaerba per evitarne il ribaltamento e il danneggiamento. Se necessario, utilizzare una corda o cinghie a cricchetto di fissaggio.
- ▶ In assenza di una rampa di carico adatta, chiedere assistenza a un'altra persona per caricare il tagliaerba su un veicolo.

### 10.6 Lubrificazione

---

- ▶ Lubrificare le parti in movimento e i punti di articolazione con olio leggero almeno una volta per ogni stagione di taglio per prevenire la ruggine.
- ▶ Lubrificare il perno ruota con olio leggero quando le ruote non si muovono in modo regolare durante il funzionamento.

#### 10.6.1 Affilatura del rullo a lame

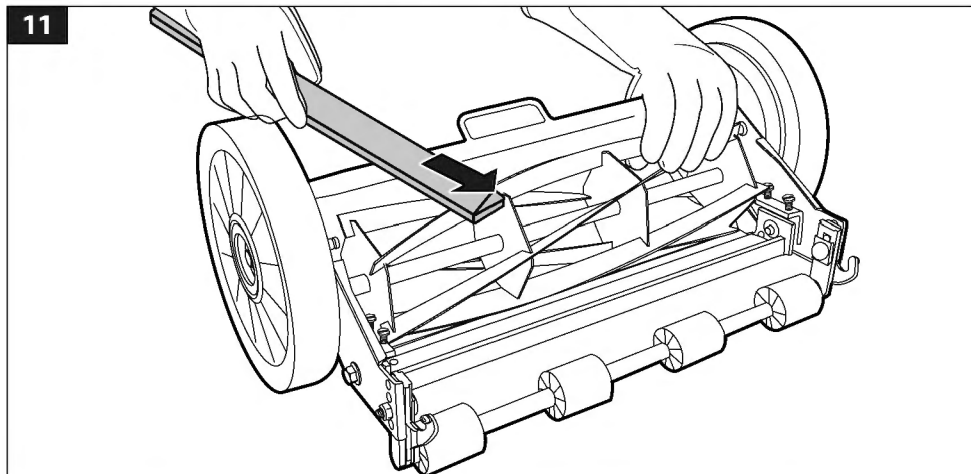
#### **⚠ ATTENZIONE** Pericolo di lesioni!

- ▶ Indossare sempre guanti protettivi e una protezione per gli occhi quando si affila il rullo a lame.
- ▶ Ispezionare regolarmente il rullo a lame e non mettere in funzione il prodotto se la lama è usurata o danneggiata. Se la lama è eccessivamente usurata, piegata, con crepe, o danneggiata in altro modo, non affilarla ma farla riparare da un centro di riparazione professionale.

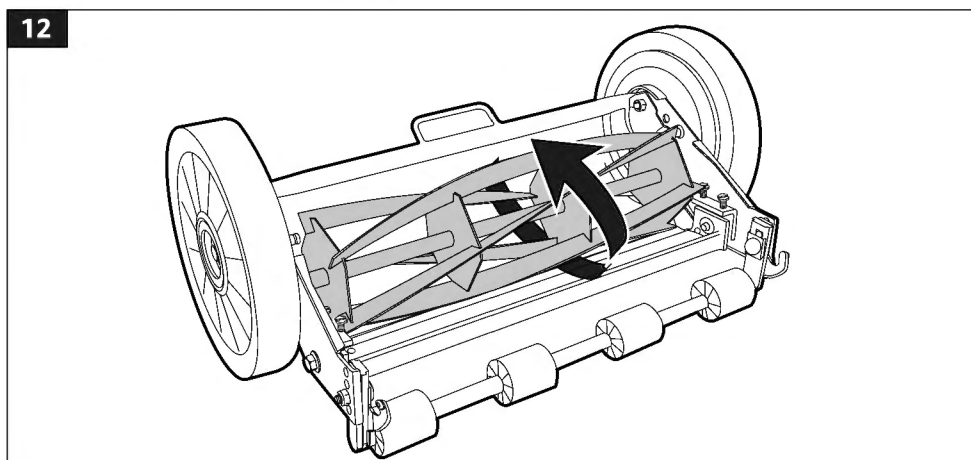
**AVVISO**

- ▶ Affilare la lama quando è smussata. Tenere la lama affilata affinché tagli l'erba nel modo corretto.
- ▶ Si raccomanda di affilare la lama due volte nel corso della stagione di taglio in condizioni normali. Se il prato ha un terreno sabbioso, potrebbe essere necessaria un'affilatura più frequente.

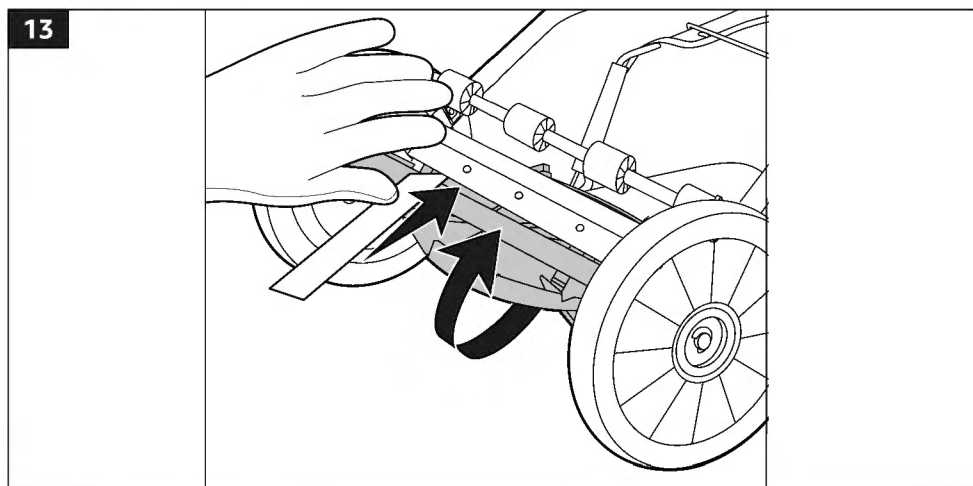
1. Sostenere il tagliaerba su una superficie stabile in modo che il rullo a lame possa ruotare in modo equilibrato.
2. Preparare una lima di metallo da 10 pollici e indossare guanti protettivi.
3. Tenere il rullo a lame in posizione, con una mano sul lato. Con passate regolari, premere la lima sulla lama superiore lontano dal bordo. Ruotare leggermente il rullo a lame per seguire la curva per l'intera sua lunghezza (fig. 11).



4. Ruotare il rullo a lame in modo che la lama successiva sia nella posizione superiore (fig. 12). Affilare le lame rimanenti.



- Per controllare l'affilatura, capovolgere il tagliaerba. Indossando i guanti, prendere una striscia di carta e ruotare con attenzione il rullo a lame in modo che la lama tagli una piccola porzione della carta (fig. 13). Ripetere per tutte le lame. Ogni lama deve tagliare uniformemente la carta su tutta la lunghezza della lama da taglio mentre il rullo gira senza problemi.



## 11. Smaltimento



Smaltire il prodotto in base alle normative locali. In caso di dubbi, rivolgersi alle autorità locali.

## 12. Informazioni sull'Importatore

	Per l'UE
Posta:	Amazon EU S.à r.l., 38 avenue John F. Kennedy, L-1855 Luxembourg
Registro imprese:	134248

## 13. Feedback e aiuto

Ci piacerebbe ricevere il tuo feedback. Affinché ci sia possibile garantire la migliore esperienza cliente possibile, non dimenticare di scrivere una recensione.

 [amazon.it/review/review-your-purchases#](https://amazon.it/review/review-your-purchases#)

Se hai bisogno di supporto per il tuo prodotto Amazon Basics, utilizza il sito web indicato in basso.

 [amazon.it/gp/help/customer/contact-us](https://amazon.it/gp/help/customer/contact-us)

## 1. Instrucciones Importantes de Seguridad



Lea estas instrucciones atentamente y guárdelas para futuras consultas. Si este producto se pone a disposición de un tercero, deberá incluir estas instrucciones.

### **⚠ PRECAUCIÓN**

Al usar cortacéspedes manuales, siempre deben seguirse las precauciones de seguridad básicas para reducir el riesgo de lesiones, incluidas las siguientes precauciones:

- ▶ Mantenga a los niños alejados – Todos los visitantes deben mantenerse a distancia de la zona de trabajo.
- ▶ No utilice el producto bajo la influencia del alcohol o las drogas.
- ▶ Vista con ropa adecuada – No use ropa suelta ni joyas. Pueden quedarse atrapadas en las piezas móviles. Se recomienda el uso de guantes de protección y calzado resistente al trabajar al aire libre.
- ▶ Utilizar el producto correcto – No utilice el producto para ningún otro trabajo para el que no haya sido diseñado.
- ▶ No fuerce el producto – El producto hará el trabajo mejor y con menos probabilidad de riesgo de lesión al ritmo para el que fue diseñado.
- ▶ No se estire en exceso – Mantenga el equilibrio y la estabilidad en todo momento.
- ▶ Manténgase alerta – Mire lo que está haciendo. Utilice el sentido común. No utilice el producto si está cansado.
- ▶ Guarde el producto en el interior– Cuando no se utilice, el producto deben guardarse en el interior en un lugar seco y alto o cerrado con llave – fuera del alcance de los niños.
- ▶ Cuide el producto – Mantenga las cuchillas afiladas y limpias para que el rendimiento sea bueno y seguro.
  - Siga las instrucciones de lubricación.
  - Mantenga los manillares secos, limpios y libres de aceite y grasa.
- ▶ Mantenga las manos y los pies alejados de la zona de corte.
- ▶ Los objetos atascados en la cuchilla pueden causar lesiones graves a las personas. Antes de empezar a cortar el césped, revíselo y retire todos los objetos.
- ▶ Si el producto se atasca con un objeto extraño, siga estos pasos:
  - Deje de cortar el césped.
  - Revise los daños.
  - Repare cualquier daño antes de reiniciar y utilizar el producto.
- ▶ Utilice el producto únicamente durante el día o con una buena iluminación artificial.
- ▶ Evite agujeros, surcos, baches, rocas u otros peligros ocultos. Un terreno irregular podría hacer volcar el producto, o hacer que el operador pierda el equilibrio o la estabilidad.
- ▶ No descargue el material directamente hacia ninguna persona. Evite descargar el material en una pared u obstrucción. El material puede rebotar hacia el operador. Incline la(s) cuchilla(s) al cruzar superficies de grava.
- ▶ No deje el producto sin vigilancia. Aparque siempre en un suelo nivelado.
- ▶ No corte el césped en modo inverso a menos que sea absolutamente necesario. Siempre mire hacia abajo y hacia atrás antes y durante la marcha atrás.

- ▶ Las pendientes son el principal factor relacionado con los accidentes. La manipulación en pendientes requiere atención especial.
- ▶ En las pendientes circule en la dirección recomendada por el fabricante. Tenga cuidado al trabajar cerca de los desniveles.
- ▶ Evite cortar la hierba mojada. Una mala pisada podría provocar un accidente por resbalón y caída.
- ▶ No utilice el producto en ninguna condición donde la tracción, la aceleración o la estabilidad se vean comprometidas.
- ▶ Evite realizar cambios bruscos de velocidad o dirección. Realice los giros lenta y gradualmente.
- ▶ No modifique ni intente reparar el producto excepto como se indica en las instrucciones de uso y cuidado.
- ▶ Este producto debe ser montado por un adulto.
- ▶ No apriete los pasadores en exceso.
- ▶ Mantenga a los niños y mascotas alejados del producto durante el montaje.

### **⚠ PRECAUCIÓN** ¡Riesgo de lesiones!

- ▶ Solo se aceptan los accesorios y complementos determinados por el fabricante para usar con el producto. ¡El uso de cualquier otro accesorio o complemento puede aumentar el riesgo de lesiones!
- ▶ Solo para el modelo BOB15CKBM8: El recogedor de hierba, en condiciones normales de uso, se deteriora y se desgasta, por lo que debe ser revisado y sustituido con frecuencia. Debe comprobarse que el recogedor de hierba de repuesto cumple con las recomendaciones o especificaciones del fabricante original.

## 2. Uso Previsto

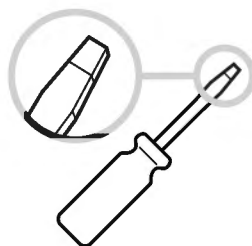
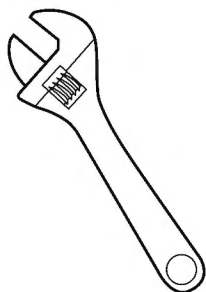
- ▶ Este producto se ha diseñado para cortar césped en entornos domésticos y de jardinería. Se utiliza principalmente para el mantenimiento de céspedes residenciales a pequeña escala y jardines domésticos/de aficionados.
- ▶ Este producto no se ha diseñado para ser usado en terrenos abruptos o cubiertos de maleza.
- ▶ Este producto solo se ha diseñado para uso privado.

## 3. Montaje



Para las instrucciones de montaje, consulte el manual de montaje incluido.

## 4. Herramientas necesarias



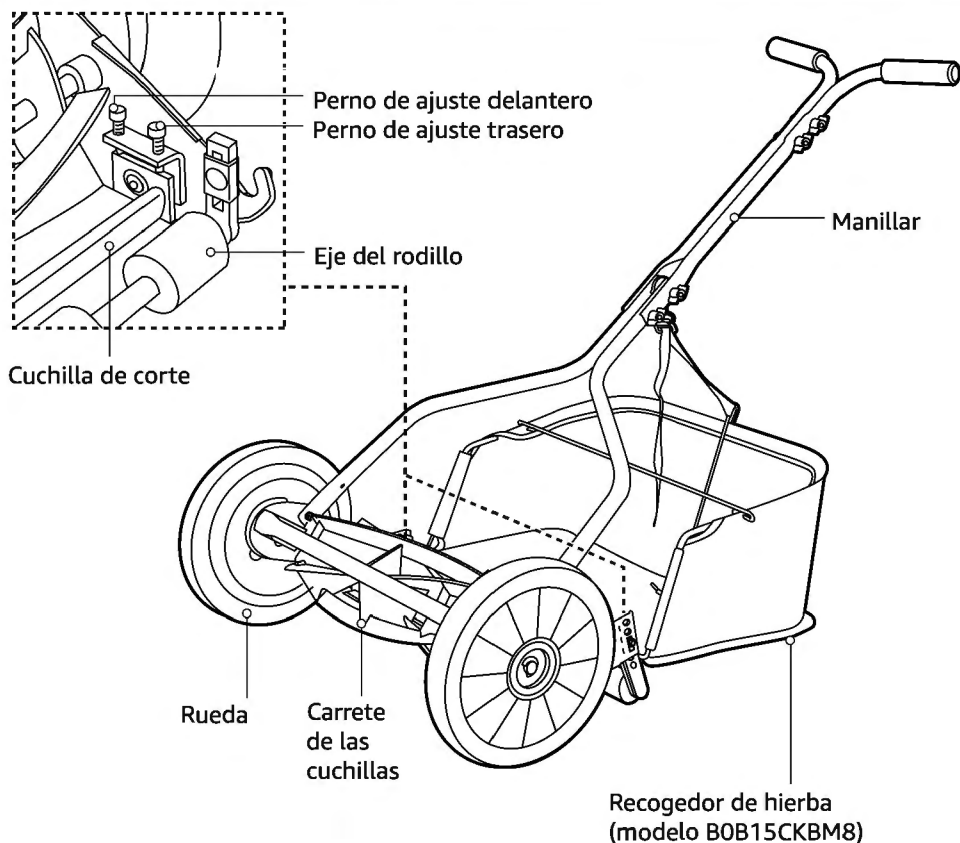
## 5. Antes del Primer Uso

### **⚠ PELIGRO** ¡Riesgo de asfixia!

Mantenga los materiales de embalaje fuera del alcance de los niños y los animales domésticos, estos materiales son una fuente potencial de peligro, por ejemplo: asfixia.

- ▶ Retire todos los materiales del embalaje.
- ▶ Saque y revise todos los componentes antes de empezar a utilizarlo.
- ▶ Compruebe si el producto ha sufrido daños durante el transporte.
- ▶ No utilice el producto si parece dañado.

## 6. Descripción del Producto

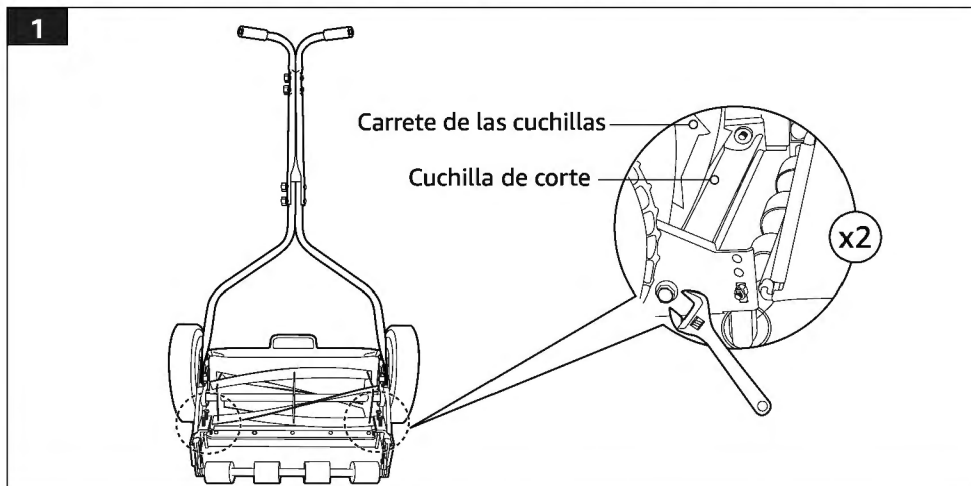


## 7. Ajuste del carrete de las cuchillas y de la cuchilla de corte

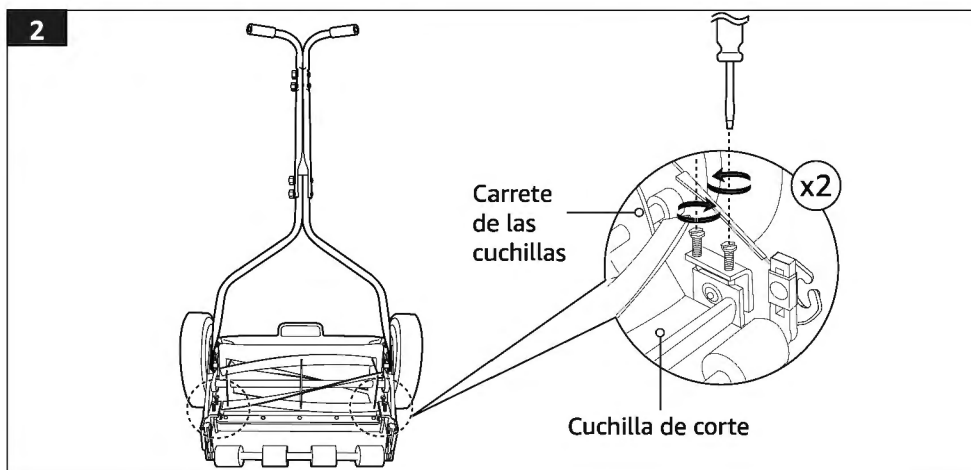
### **⚠ PRECAUCIÓN** ¡Riesgo de lesiones!

Utilice siempre guantes de protección al realizar cualquier tarea de limpieza o mantenimiento en el producto, en la zona de la cuchilla.

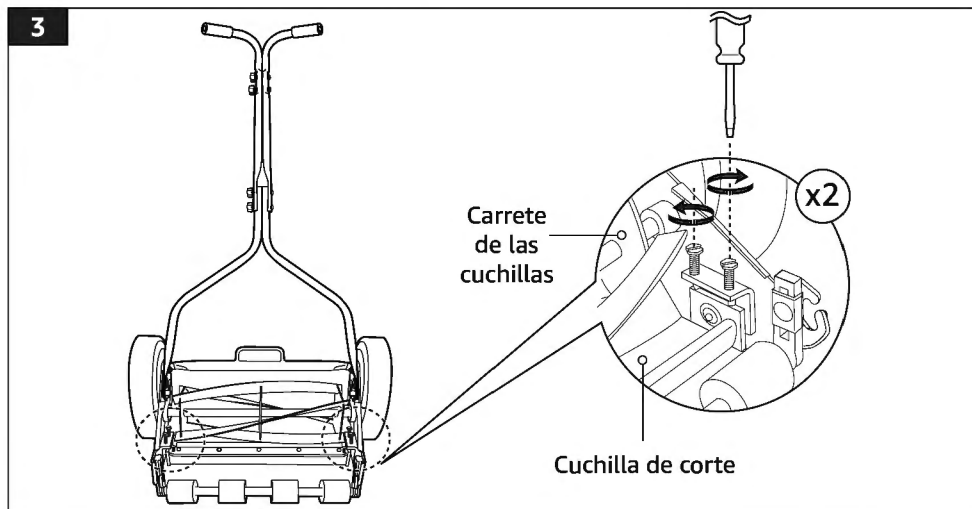
- ▶ Puede producirse una desalineación que haga que el carrete de las cuchillas esté demasiado suelto o demasiado apretado. Si esto sucede, notará un corte áspero y desigual o que resulta difícil empujar el producto.
- ▶ Todos los ajustes se realizan desde la parte trasera del producto.
- ▶ Para ajustar la cuchilla de corte, apriete o afloje los tornillos de los lados (fig. 1).



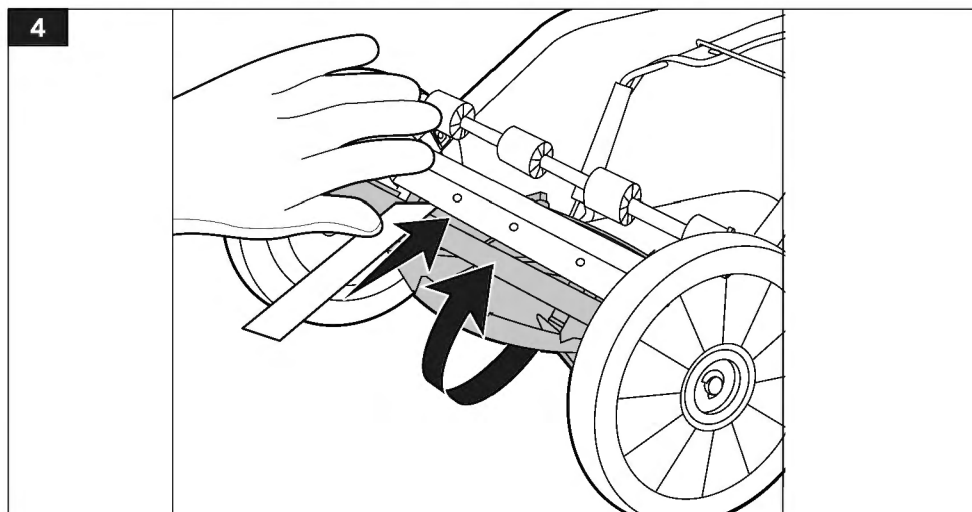
- ▶ Para aflojar el carrete de las cuchillas, afloje los pernos de ajuste traseros en ambos lados por igual girándolos hacia la izquierda y apriete los pernos de ajuste delanteros en ambos lados por igual girándolos hacia la derecha (fig. 2). La cuchilla de corte se aparta del carrete de las cuchillas.



- ▶ Para apretar el carrete de las cuchillas, afloje los pernos de ajuste delanteros en ambos lados por igual girándolos hacia la izquierda y apriete los pernos de ajuste traseros en ambos lados por igual girándolos hacia la derecha. La cuchilla de corte se acerca al carrete de las cuchillas (fig. 3).



- ▶ Para comprobar el ajuste, ponga el cortacésped boca abajo. Con unos guantes puestos, tome una tira de papel y gire cuidadosamente el carrete de las cuchillas para que una cuchilla corte una pequeña parte del papel (fig. 4). Repita este paso para todas las cuchillas. Cada cuchilla debe cortar el papel de manera uniforme en toda la longitud de la cuchilla de corte mientras el carrete gira suavemente.

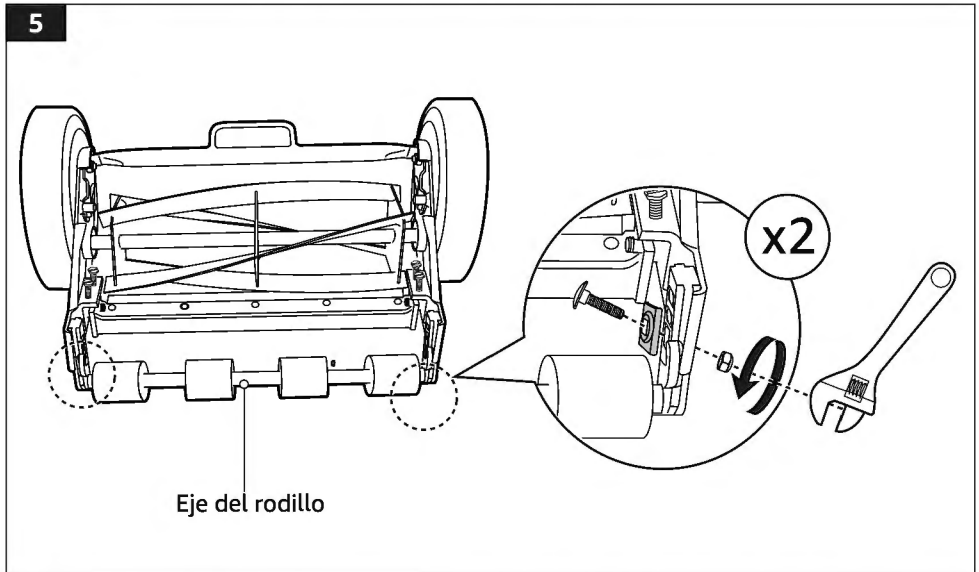


- ▶ Si el producto tiene un corte intermitente, se debe ajustar el lado adecuado del carrete de las cuchillas para que la acción de corte sea adecuada.

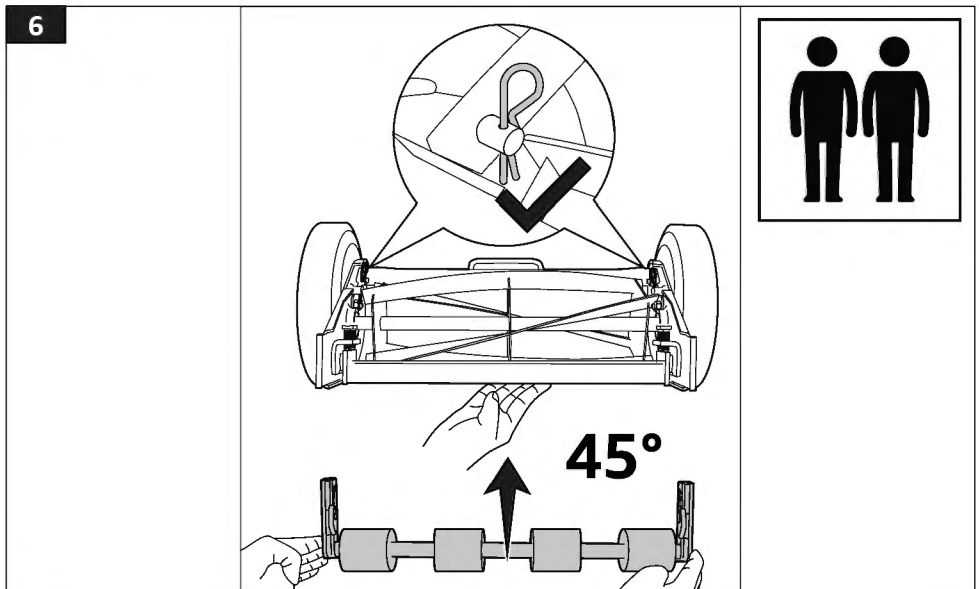


## 8. Ajuste de la altura

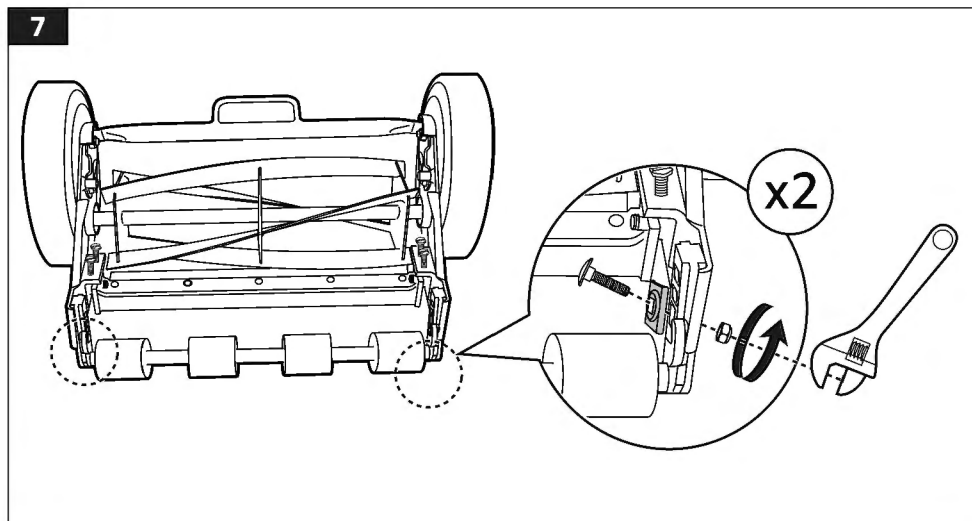
5. Con una llave inglesa, afloje y retire los tornillos, tuercas y separadores de ambos lados del eje del rodillo. Retire el eje del rodillo (fig. 5).



6. Incline la cuchilla del cortacésped hacia delante. Vuelva a colocar el eje del rodillo en un ángulo de  $45^\circ$  (fig. 6).



7. Alinee el eje del rodillo con el nivel de ajuste deseado y vuelva a colocar los pernos, las tuercas y los separadores (fig. 7).



## 9. Uso

### 9.1 Antes de cada uso

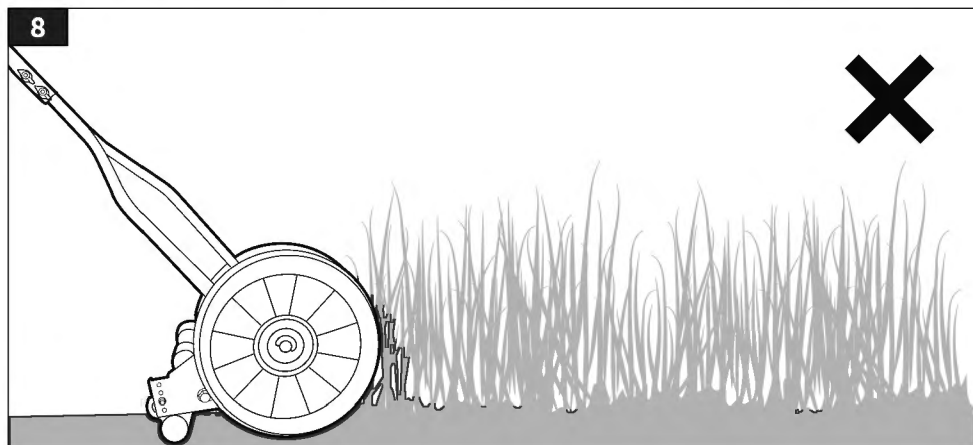
- ▶ El operador novato debe recibir instrucciones prácticas sobre el uso del cortacésped por parte de un operador experimentado.
- ▶ Compruebe que el cortacésped y sus accesorios no están dañados. No use el cortacésped si está dañado o desgastado.
- ▶ Compruebe si hay pernos sueltos, desalineación o atascamiento de las piezas móviles, o cualquier otra condición que pueda afectar a su uso. Si se producen vibraciones o ruidos anormales, apague inmediatamente el cortacésped y corrija el problema antes de seguir utilizándolo.
- ▶ Compruebe que las cuchillas están limpias de restos. Cepille o retire los restos de hierba acumulados en la cuchilla y en la parte inferior del cortacésped.
- ▶ Revise elafilado de la cuchilla antes de empezar a cortar el césped. Una cuchilla afilada puede mejorar el rendimiento del cortacésped, especialmente al cortar hierba alta.

**ATENCIÓN** Solo para el modelo B0B15CKBM8: La instalación del recogedor de hierba es opcional. Si no se instala el recogedor de hierba, el pasto cortado se puede redistribuir en el jardín a través de la técnica del mulching.

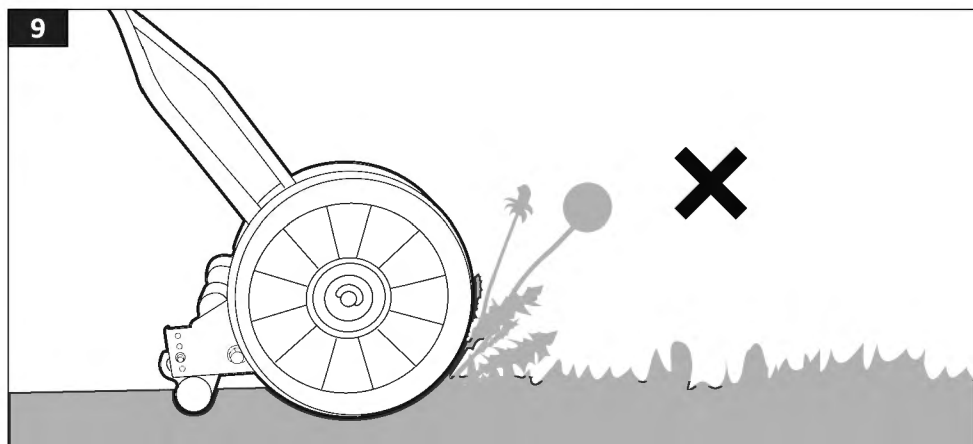
### 9.2 Consejos para cortar el césped

- ▶ Camine a un ritmo constante. La rotación de las cuchillas del cortacésped depende de que las ruedas giren a un ritmo rápido para obtener los mejores resultados.
- ▶ No corte el césped en círculos. Mueva el producto de un lado a otro del césped.

- ▶ No corte el césped si el suelo o la hierba están húmedos. La tierra y la hierba mojadas pueden adherirse a la cuchilla y a la parte inferior del producto.
- ▶ Evite rociar el césped con productos químicos antes de cortarlo.
- ▶ Al cortar hierba gruesa, reduzca la velocidad de marcha para que el corte sea más eficaz y la descarga del pasto cortado más adecuada.
- ▶ Evite dejar que la hierba crezca demasiado (fig. 8). Resulta difícil empujar el cortacésped con la hierba alta. Se recomienda cortar la hierba semanalmente.

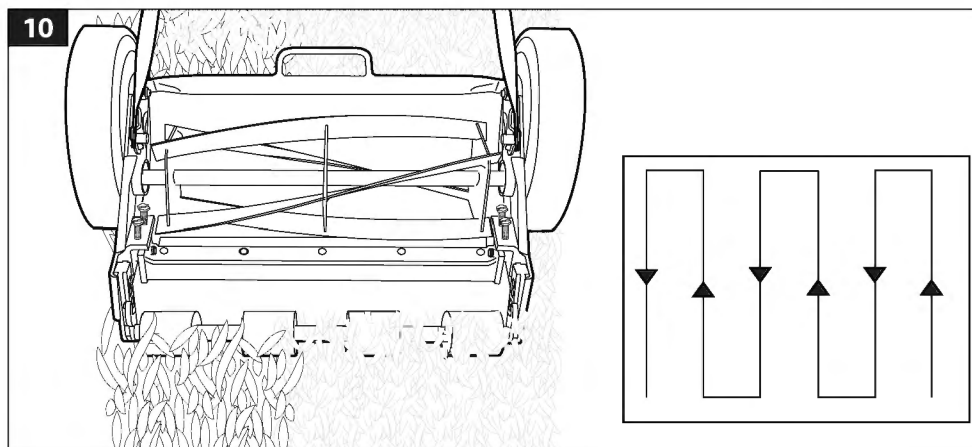


- ▶ No corte las malezas altas (fig. 9). Si tiene un exceso de malezas, elimínelas primero o póngase en contacto con el servicio de jardinería local.



- ▶ Ajuste el producto a la altura máxima de corte al cortar en terrenos irregulares o con un crecimiento alto.

- ▶ Corte el césped en función de la altura de la hierba. No corte más de un tercio de la altura total de la hierba en cada corte. El césped medio debe tener una longitud aproximada de 1-1/2 a 2 pulgadas (38 a 50 mm) durante los meses fríos, y de 2 y 3-1/4 pulgadas (50 a 83 mm) durante los meses cálidos. No es recomendable cortar césped o hierbas altas que superen los 7 pulgadas (180 mm) de altura.
- ▶ Se recomienda cortar el césped a media mañana o a última hora de la tarde después de un día seco. Así se reducen las matas, los daños en el césped y el estrés por calor en la hierba.
- ▶ Cortar primero el perímetro del césped puede ayudar a cuadrarlo y da espacio para girar cuando se corta hacia adelante y hacia atrás en filas.
- ▶ Corte el césped hacia adelante y hacia atrás en líneas rectas con un ligero solapamiento (fig. 10). Continúe este proceso hasta que se haya cortado el césped de toda la sección.



## 10. Limpieza y Mantenimiento

### **⚠ PRECAUCIÓN** ¡Riesgo de lesiones!

Utilice siempre guantes de protección al realizar cualquier tarea de limpieza o mantenimiento en el producto, en la zona de la cuchilla.

#### 10.1 Limpieza rápida

- ▶ Limpie la carcasa con un paño sin pelusa ligeramente húmedo. Seque después de limpiar.
- ▶ Nunca utilice detergentes corrosivos, cepillos de alambre, decapantes, utensilios metálicos o puntiagudos para limpiar el cortacésped.

#### 10.2 Limpieza profunda

##### **ATENCIÓN**

Retire el pasto cortado, las hojas, la suciedad y otros restos de la parte inferior, la parte delantera y las ruedas con un cepillo suave.

1. Ponga el producto de lado.

2. Raspe los restos de hierba de la parte inferior con un rascador de pintura de plástico (no incluido) o una herramienta similar no metálica.
3. Frote con un cepillo suave los restos de pasto cortado y los restos en la parte inferior y las ruedas.
4. Utilice una manguera de jardín para lavar el producto.
5. Limpie las piezas con un paño seco.
6. Para reducir la acumulación de pasto cortado, rocíe ligeramente un poco de aceite vegetal en las partes del cortacésped después de la limpieza.
7. Coloque el producto en posición vertical después de limpiarlo.

### 10.3 Limpieza del recogedor de hierba (modelo B0B15CKBM8)

---

1. Separe el recogedor de hierba del cortacésped.
2. Vacíe el recogedor de hierba.
3. Limpie con una manguera el exterior y el interior del recogedor de hierba y frote suavemente los restos con un cepillo suave.
4. Deje secar el recogedor de hierba completamente antes de volver a colocarlo en el cortacésped.

### 10.4 Mantenimiento y Almacenamiento

---

- ▶ Verificar las piezas periódicamente para comprobar que todos los pernos están apretados.
- ▶ Limpie el cortacésped antes de guardarlo.
- ▶ Guarde el cortacésped lejos de materiales corrosivos como fertilizantes o sal de roca.
- ▶ Guarde el producto en un lugar fresco y seco, lejos de los niños y animales domésticos, preferiblemente en su embalaje original.

### 10.5 Transporte en un vehículo

---

- ▶ Cuando levante el cortacésped, agarre el manillar pequeño situada encima de las cuchillas y el manillar del cortacésped. Use ambas manos.
- ▶ Asegure el cortacésped cuando lo transporte en un vehículo para evitar que vuelque y se dañe. Utilice una cuerda o un amarre de trinquete si es necesario.
- ▶ Si no dispone de una rampa de carga adecuada, solicite ayuda a otra persona para cargar el cortacésped en un vehículo.

### 10.6 Lubricación

---

- ▶ Lubrique las piezas móviles y los puntos de pivote con aceite ligero al menos una vez en cada temporada de siega para evitar que se oxiden.
- ▶ Lubrique el eje de la rueda con aceite ligero si las ruedas no se mueven suavemente durante el funcionamiento.

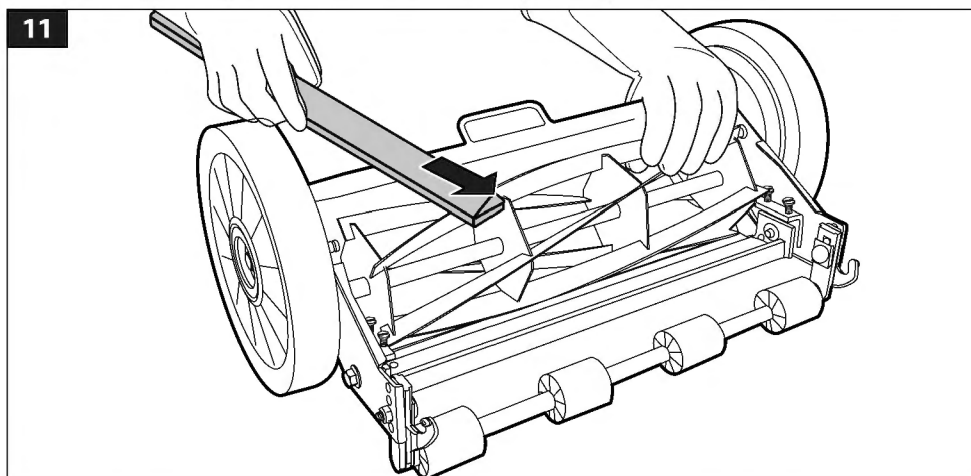
#### 10.6.1 Afilado del carrete de las cuchillas

#### **⚠ PRECAUCIÓN** ¡Riesgo de lesiones!

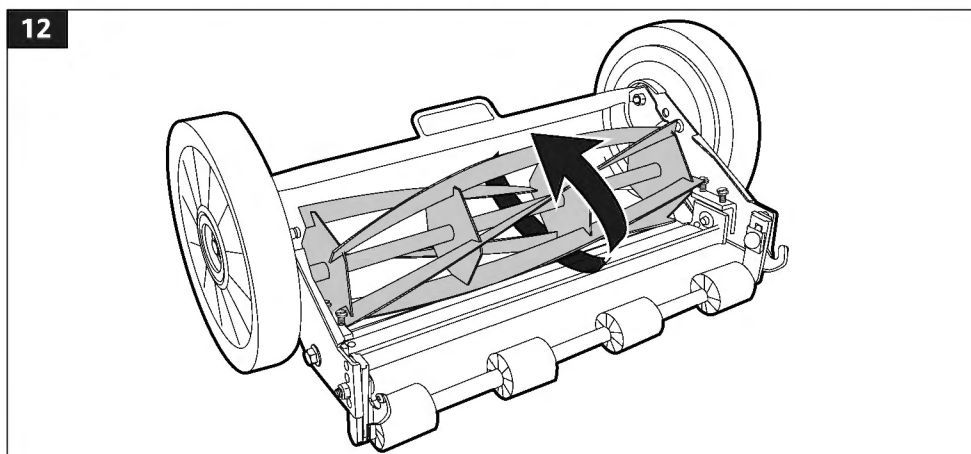
- ▶ Utilice siempre guantes de protección y protección ocular al afilar el carrete de las cuchillas.
- ▶ Revise el carrete de las cuchillas periódicamente y no utilice el producto con una cuchilla desgastada o dañada. Si la cuchilla está excesivamente desgastada, doblada, agrietada o dañada de alguna manera, no la afile; llévela a reparar en un centro de reparación profesional.

**ATENCIÓN**

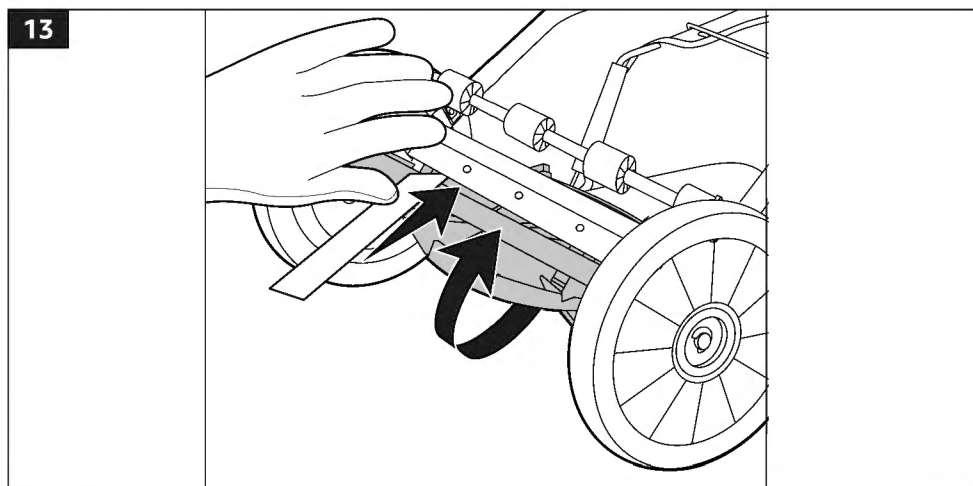
- ▶ Afíle la cuchilla si está desafilada. Mantenga la cuchilla afilada para que corte bien la hierba.
  - ▶ Se recomienda afilar la cuchilla dos veces durante una temporada de corte en circunstancias normales. Si el césped tiene un suelo arenoso, puede ser necesario afilarla con más frecuencia.
1. Apoye el cortacésped en una superficie estable para que el carrete de las cuchillas pueda girar de forma equilibrada.
  2. Prepare una lima metálica de 10 pulgadas y use guantes de protección.
  3. Sujete el lateral del carrete de las cuchillas con una mano. Con golpes uniformes, pase la lima por el borde de la cuchilla superior. Gire ligeramente el carrete de las cuchillas para seguir la curva en toda su longitud (fig. 11).



4. Gire el carrete de las cuchillas de manera que la siguiente cuchilla se encuentre en la posición superior (fig. 12). Afíle las cuchillas restantes.



- ▶ Para comprobar el afilado, ponga el cortacésped boca abajo. Con unos guantes puestos, tome una tira de papel y gire cuidadosamente el carrete de las cuchillas para que una cuchilla corte una pequeña parte del papel (fig. 13). Repita este paso para todas las cuchillas. Cada cuchilla debe cortar el papel de manera uniforme en toda la longitud de la cuchilla de corte mientras el carrete gira suavemente.



## 11. Eliminación



Elimine el producto según la legislación local. En caso de duda, consulte con sus autoridades locales.

## 12. Información del Importador

	Para la UE
Dirección postal:	Amazon EU S.à r.l., 38 avenue John F. Kennedy, L-1855 Luxembourg
Núm. inscripción mercantil:	134248

## 13. Comentarios y ayuda

Nos encantaría conocer su opinión. Para obtener la mejor experiencia posible, le agradeceremos que escriba una opinión del cliente.



**ES:** [amazon.es/review/review-your-purchases#](https://amazon.es/review/review-your-purchases#)

**MX:** [amazon.com.mx/review/review-your-purchases#](https://amazon.com.mx/review/review-your-purchases#)

Si necesita ayuda con su producto Amazon Basics, utilice el siguiente sitio web.



**ES:** [amazon.es/gp/help/customer/contact-us](https://amazon.es/gp/help/customer/contact-us)

**MX:** [amazon.com.mx/gp/help/customer/contact-us](https://amazon.com.mx/gp/help/customer/contact-us)

## 1. Belangrijke Veiligheidsinstructies



Lees deze gebruiksaanwijzing aandachtig door en bewaar ze voor later gebruik. Doe bij overdracht van dit product aan derden deze gebruiksaanwijzing erbij.

### **⚠ VOORZICHTIG**

Bij gebruik van handgrasmaaiers moeten altijd de volgende standaard veiligheidsmaatregelen worden genomen om het risico op persoonlijk letsel te beperken, waaronder de volgende:

- ▶ Houd kinderen uit de buurt – Alle omstanders moeten zich op een veilige afstand van het werkgebied bevinden.
- ▶ Gebruik het product niet als u onder de invloed van alcohol of medicijnen bent.
- ▶ Draag gepaste kleding – Draag geen loshangende kleding of juwelen. Deze kunnen in de bewegende onderdelen vast komen te zitten. Het dragen van werkhandschoenen en stevig schoeisel worden aanbevolen wanneer u buiten werkt.
- ▶ Gebruik het juiste product – Gebruik het product alleen voor werkzaamheden waarvoor het is ontworpen.
- ▶ Forceer het product niet – De taak zal beter uitgevoerd worden en met minder kans op letsel als het product wordt gebruikt aan de snelheid waarvoor het ontworpen is.
- ▶ Reik niet te ver – Zorg er altijd voor dat u stevig en stabiel staat.
- ▶ Blijf aandachtig – Let op wat u doet. Gebruik uw gezond verstand. Gebruik het product niet wanneer u moe bent.
- ▶ Berg het product binnenshuis op – Berg het product op in een droge en hoge of vergrendelde ruimte en buiten het bereik van kinderen wanneer niet in gebruik.
- ▶ Onderhoud het product met de nodige zorg – Houd de messen scherp en schoon voor de beste en meest veilige prestaties.
  - Volg de instructies voor het smeren.
  - Houd de handvatten droog, schoon en vrij van olie en smeervet.
- ▶ Houd handen en voeten uit de buurt van het maaigebied.
- ▶ Objecten die door het mes geraakt worden kunnen ernstig letsel aan personen veroorzaken. Controleer het gazon voor elke maaibeurt zorgvuldig op objecten en verwijder ze indien aanwezig.
- ▶ Als het product een vreemd object raakt, volg onderstaande stappen:
  - Stop met maaien.
  - Controleer op schade.
  - Repareer eventuele schade voordat het product opnieuw wordt gestart en gebruikt.
- ▶ Gebruik het apparaat alleen bij daglicht of met passend kunstmatig licht.
- ▶ Vermijd putten, geulen, hobbels, stenen of andere verborgen gevaren. Een oneffen ondergrond kan het product doen kantelen of ervoor zorgen dat de bediener zijn evenwicht verliest.
- ▶ Voer het materiaal niet af richting een persoon. Vermijd dat het materiaal tegen een muur of obstakel wordt afgevoerd. Het materiaal kan terugkeren richting de bediener. Til het/de mes(sen) op wanneer een ondergrond met grind wordt overgestoken.
- ▶ Laat het product niet zonder toezicht achter. Parkeer het product altijd op een vlakke ondergrond.



- ▶ Maai niet achteruit, tenzij het niet anders kan. Kijk altijd omlaag en naar achteren voordat en wanneer u achteruit rijdt.
- ▶ Hellingen zijn een groot risico op een ongeval. Wees zeer voorzichtig wanneer u de machine op een helling gebruikt.
- ▶ Rij op een helling in de richting die door de fabrikant wordt aanbevolen. Wees voorzichtig wanneer u het product in de buurt van een kloof gebruikt.
- ▶ Maai geen nat gras. Een slechte houvast kan leiden tot een ongeval veroorzaakt door uitglijden en vallen.
- ▶ Gebruik het product nooit wanneer de tractie, bediening of stabiliteit in vraag wordt gesteld.
- ▶ Maak geen plotselinge wijziging in snelheid of richting. Draai langzaam en geleidelijk aan.
- ▶ Wijzig of repareer het product niet, tenzij zoals aangegeven in de gebruiks- en onderhoudsinstructies.
- ▶ Dit product moet door een volwassene in elkaar worden gezet.
- ▶ Maak de bevestigingen niet te vast.
- ▶ Houd kinderen en huisdieren tijdens het in elkaar zetten van het product uit de buurt.

### **⚠ VOORZICHTIG** Risico op letsel!

- ▶ Gebruik alleen accessoires en opzetstukken met het product die door de fabrikant zijn goedgekeurd. Het gebruik van andere accessoires of opzetstukken kunnen het risico op letsel verhogen!
- ▶ Alleen voor B0B15CKBM8 model: De grasopvangbak is bij normaal gebruik onderhevig aan slijtage en moet aldus regelmatig op vervanging worden gecontroleerd. Als vervanging nodig is, zorg dat de nieuwe grasopvangbak voldoet aan de aanbevelingen of specificaties van de fabrikant.

## 2. Beoogd Gebruik

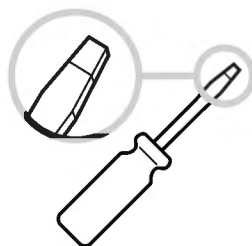
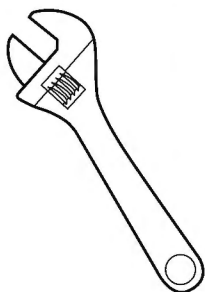
- ▶ Deze machine is bestemd voor het maaien van gras in een woon- en tuinomgeving. Het wordt voornamelijk gebruikt voor onderhoud van kleine, residentiële gazons en privé-/hobbytuinen.
- ▶ Dit product is niet bedoeld voor gebruik op een ruw of begroeid terrein.
- ▶ Dit product is alleen bestemd voor privégebruik.

## 3. Montage



Voor de juiste montage-instructies, raadpleeg de inbegrepen montagehandleiding.

## 4. Benodigd gereedschap



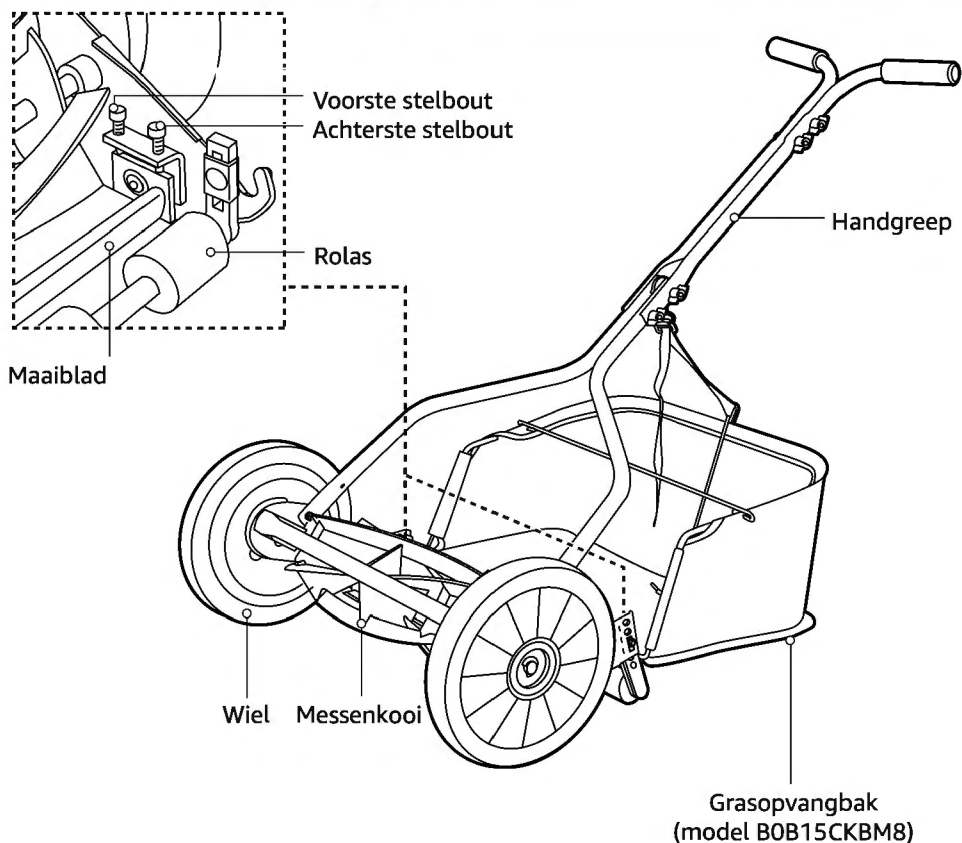
## 5. Vóór het Eerste Gebruik

### **⚠ GEVAAR** Verstikkingsgevaar!

Houd alle verpakkingsmateriaal uit de buurt van kinderen en huisdieren. Dit materiaal kan gevaar, zoals verstikking, opleveren.

- ▶ Verwijder alle verpakkingsmateriaal.
- ▶ Verwijder en controleer alle onderdelen voor gebruik.
- ▶ Controleer het product op vervoersschade.
- ▶ Gebruik het product niet als u denkt dat het beschadigd is.

## 6. Beschrijving van het product

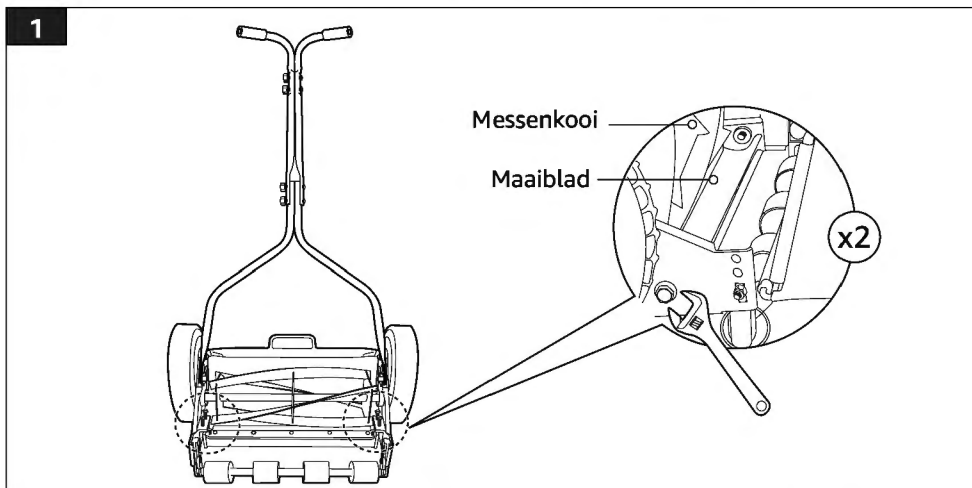


## 7. De messenkooi en het maaiblad aanpassen

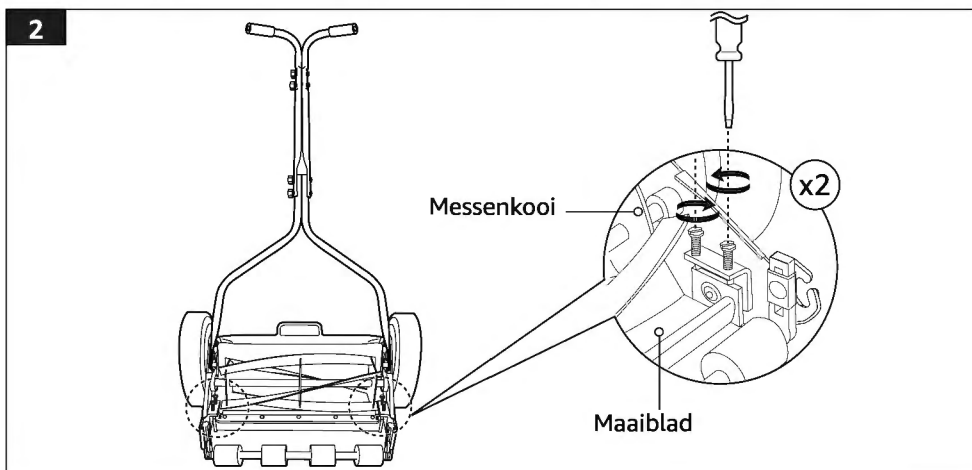
### **⚠ VOORZICHTIG** Risico op letsel!

Draag altijd werkhandschoenen wanneer u het product reinigt of onderhoudt op de plaats waar het mes zich bevindt.

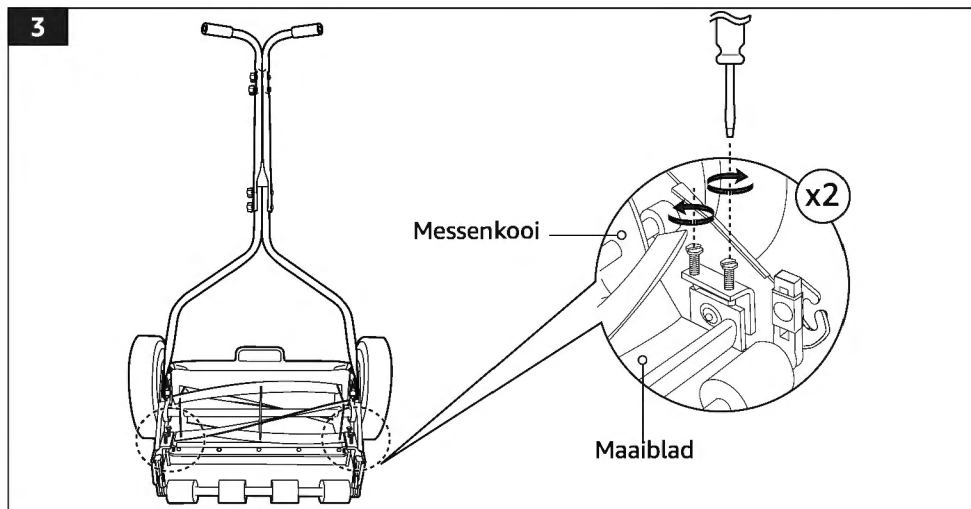
- Een verkeerde uitlijning kan ontstaan en ervoor zorgen dat de messenkooi te los of te vast zit. Als dit het geval, zal dit leiden tot ruwe en ongelijkmatige maaiprestaties of ervoor zorgen dat het product moeilijk vooruit te duwen is.
- Alle aanpassingen worden uitgevoerd vanaf de achterkant van het product.
- Om het maaiblad aan te passen, draai de schroeven aan de zijkant vast of los (fig. 1).



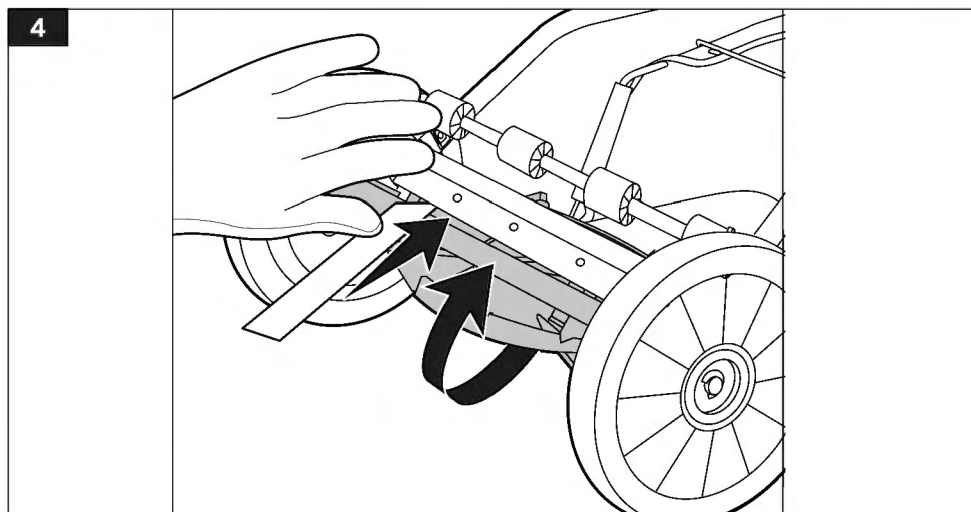
- Om de messenkooi los te maken, draai de achterste stelbouten aan weerskanten gelijkmatig tegen de klok in los en de voorste stelbouten aan weerskanten gelijkmatig met de klok mee vast (fig. 2). Het maaiblad beweegt weg van de messenkooi.



- Om de messenkooi vast te maken, draai de voorste stelbouten aan weerskanten gelijkmatig tegen de klok in en de achterste stelbouten aan weerskanten gelijkmatig met de klok mee vast. Het maaiblad beweegt in de richting van de messenkooi (fig. 3).



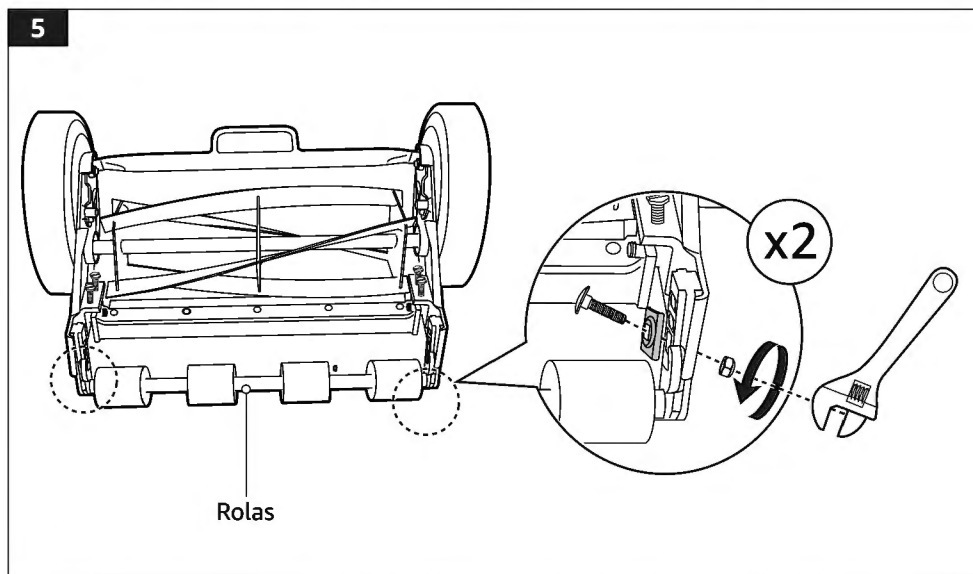
- Om de aanpassing te controleren, draai de grasmaaier ondersteboven. Draag handschoenen, neem een papierstrook en draai de messenkooi voorzichtig zodat het mes een stukje van het papier afsnijdt (fig. 4). Herhaal dit voor alle messen. Elk mes moet het papier gelijkmatig over de volledige lengte van het maaiblad afsnijden terwijl de kooi vloeiend draait.



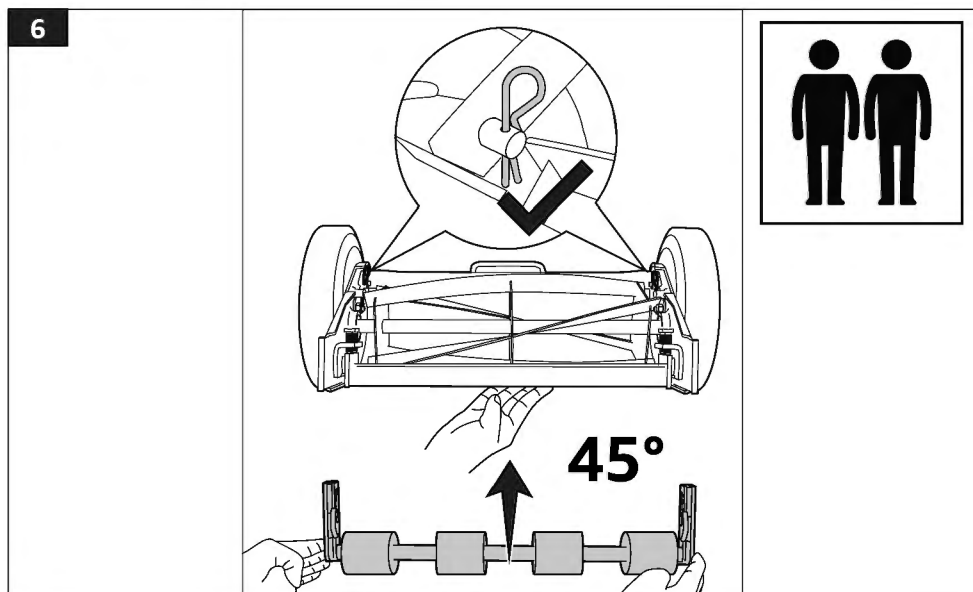
- Als het product ongelijkmatig snijdt, pas de gepaste kant van de messenkooi aan om de juiste maaiprestaties te krijgen.

## 8. De hoogte aanpassen

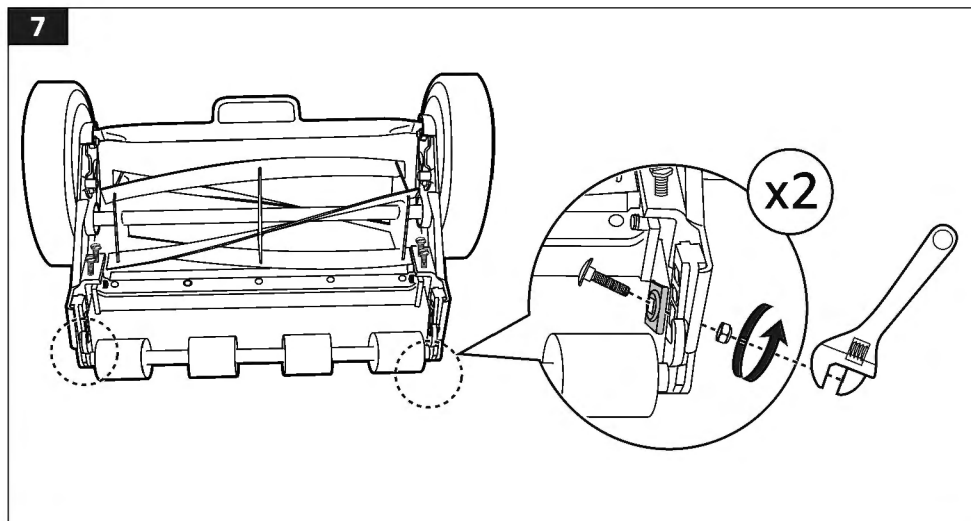
5. Draai de bouten, moeren en afstandhouders aan weerskanten van de rolles los met behulp van een moersleutel en verwijder de rolles (fig. 5).



6. Kantel het maaiblad naar voren. Breng de rolles opnieuw tegen een hoek van 45° graden aan (fig. 6).



7. Breng de rolas op één lijn met het gewenste regelniveau en breng de bouten moeren en afstandhouders opnieuw aan (fig. 7).



## 9. Gebruik

### 9.1 Voor elk gebruik

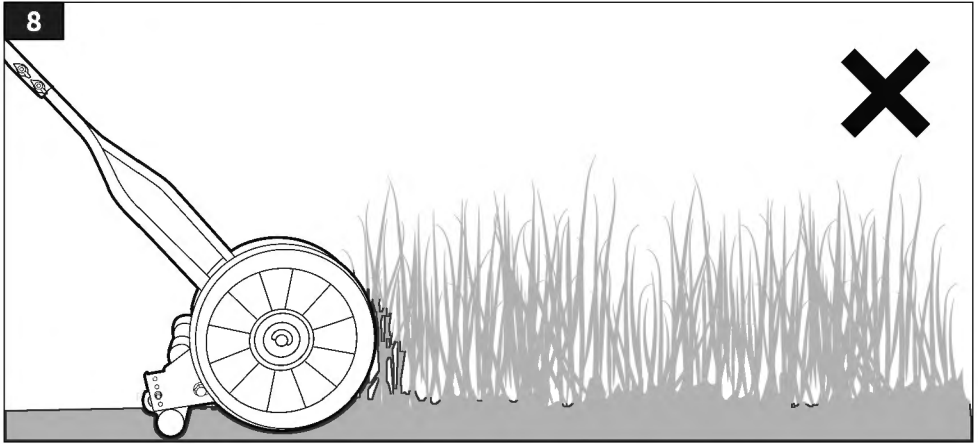
- ▶ Een beginnende gebruiker moet instructies van een ervaren gebruiker krijgen voordat hij/zij de grasmaaier voor de eerste keer gebruikt.
- ▶ Controleer de grasmaaier en het toebehoren op schade. Gebruik de grasmaaier niet als deze beschadigd of versleten is.
- ▶ Controleer op losse bouten, verkeerde uitlijning, bindende of bewegende onderdelen of een andere situatie die een negatieve impact op het gebruik heeft. Als abnormale trilling of geluid wordt waargenomen, stop onmiddellijk met het gebruik van de grasmaaier en laat het probleem corrigeren voordat de grasmaaier opnieuw wordt gebruikt.
- ▶ Controleer of het maaiblاد niet vuil is. Borstel of spoel eventuele grasresten op het blad en aan de onderkant van de grasmaaier weg.
- ▶ Controleer de scherpte van het maaiblاد voordat wordt gemaaid. Een scherp maaiblاد zorgt voor betere prestaties van de grasmaaier, in het bijzonder bij het maaien van hoog gras.

**OPMERKING** Alleen voor BOB15CKBM8 model: De installatie van de grasopvangbak is optioneel. Wanneer er geen grasopvangbak is aangebracht, wordt het maaisel via mulchen in de tuin herverdeeld.

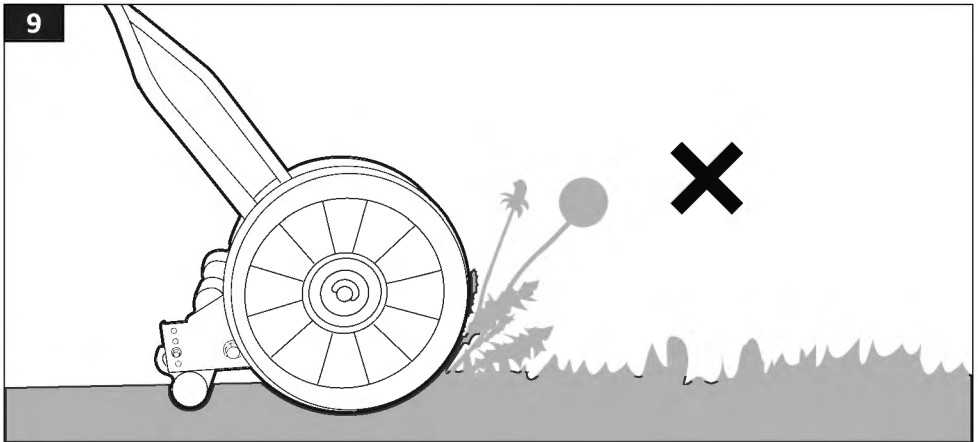
### 9.2 Maaitips

- ▶ Loop tegen een gestaag tempo. Het draaien van het maaiblاد is afhankelijk van de wielen die tegen een hoog wandeltempo draaien voor het beste resultaat.
- ▶ Maai niet in cirkels. Beweeg het product heen en weer over het gazon.

- ▶ Maai niet wanneer de grond of het gras nat is. Natte grond en gras kunnen aan het maaiblad en de onderkant van het product kleven.
- ▶ Sproei voor het maaien geen chemicaliën op het gazon.
- ▶ Bij het maaien van dit gras, verlaag uw wandeltempo voor betere maaiprestaties en een juiste afvoer van het maaisel.
- ▶ Vermijd het gras te lang wordt (fig. 8). Het is moeilijker om de grasmaaier in hoog gras te duwen. Het wordt aanbevolen om uw gazon wekelijks te maaien.

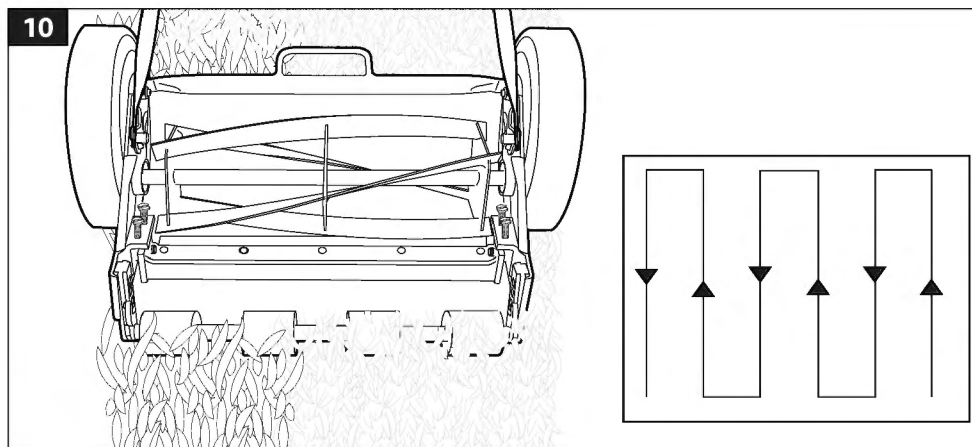


- ▶ Maai geen hoog onkruid (fig. 9). Als er een wildgroei van onkruid is, verwijder eerst al het onkruid of neem contact op met een tuinonderhoudsbedrijf in uw buurt.



- ▶ Stel het product op de maximale maaihogte in wanneer op een oneffen ondergrond of hoog gras wordt gemaaid.

- Maai afhankelijk van de hoogte van het gras. Maai niet meer dan een derde van de totale hoogte van uw gras per maaibeurt. Het gemiddelde gazon moet tijdens de koele maanden ongeveer 1-1/2 tot 2 inch (38–50 mm) en tijdens de warme maanden ongeveer 2 tot 3-1/4 inch (50–83 mm) lang zijn. Het wordt afgeraden om gras of hoog onkruid te maaien dat hoger is dan 7 Inch (180 mm).
- Het wordt aanbevolen om in het midden van de ochtend of in de late namiddag na een droge dag te maaien. Dit zorgt voor minder kluitvorming, beschadiging en hittestress op het gras.
- Eerst maaien rond de perimeter kan helpen om het gazon mooi vierkant te krijgen en geeft ruimte om te draaien terwijl in rijen heen en weer wordt gemaaid.
- Maai heen en weer in rechte rijen met een lichte overlapping (fig. 10). Doe zo verder totdat het volledig gebied is gemaaid.



## 10. Reiniging en Onderhoud

### **⚠ VOORZICHTIG** Risico op letsel!

Draag altijd werkhandschoenen wanneer u het product reinigt of onderhoudt op de plaats waar het mes zich bevindt.

#### 10.1 Snelle reiniging

- Maak de buitenkant schoon met een vochtige en pluisvrije doek. Veeg droog na reiniging.
- Maak de grasmaaier nooit schoon met een bijtend schoonmaakmiddel, staalborstel, schuursponsje, metalen of scherp gereedschap.

#### 10.2 Grondige reiniging

##### **OPMERKING**

Verwijder het maaisel, bladeren en vuil na elk gebruik van het product.

- Kantel het product op zijn zijde.
- Verwijder eventuele grasresten aan de onderkant met een plastic verkrabber (niet inbegrepen) of een soortgelijk niet-metalen gereedschap.



3. Veeg resterend maaisel en vuil aan de onderkant en de wielen weg met een zachte borstel.
4. Spuit het product schoon met een tuinslang.
5. Veeg de onderdelen schoon met een droge doek.
6. Om ophoping van maaisel te vermijden, breng na reiniging een beetje spijsolie op de onderdelen van de grasmaaier aan.
7. Zet het product na reiniging opnieuw rechtop.

### 10.3 De grasopvangbak reinigen (model B0B15CKBM8)

---

1. Maak de grasopvangbak van de grasmaaier los.
2. Maak de grasopvangbak leeg.
3. Spuit de buiten- en binnenkant van de grasopvangbak schoon met een tuinslang en veeg het vuil voorzichtig weg met een zachte borstel.
4. Laat de grasopvangbak volledig drogen voordat deze aan de grasmaaier wordt vastgemaakt.

### 10.4 Onderhoud en Opslag

---

- ▶ Controleer regelmatig de onderdelen om te controleren of alle bouten nog stevig vastzitten.
- ▶ Reinig de grasmaaier voor opslag.
- ▶ Berg de grasmaaier op uit de buurt van corrosieve materialen, zoals kunstmest of steenzout.
- ▶ Berg het product op in een koele, droge ruimte, en uit de buurt van kinderen en huisdieren, bij voorkeur in de originele verpakking.

### 10.5 Transport in een voertuig

---

- ▶ Pak de kleine handgreep boven de messen en de handgreep van de grasmaaier vast om de grasmaaier op te tillen. Gebruik uw beide handen.
- ▶ Zet de grasmaaier tijdens het transport in een voertuig vast om omvallen en beschadiging van de grasmaaier te vermijden. Indien nodig, gebruik een koord of ratelspanner.
- ▶ Als er geen gepaste laadplatform voorhanden is, vraag aan een andere persoon om u te helpen bij het plaatsnemen van de grasmaaier in een voertuig.

### 10.6 Smeren

---

- ▶ Smeer de bewegende onderdelen en scharnierpunten met lichte olie minstens eenmaal elke maaisessie om roestvorming te vermijden.
- ▶ Smeer de wielas met lichte olie wanneer de wielen tijdens gebruik niet vloeiend draaien.

#### 10.6.1 De messenkooi slijpen

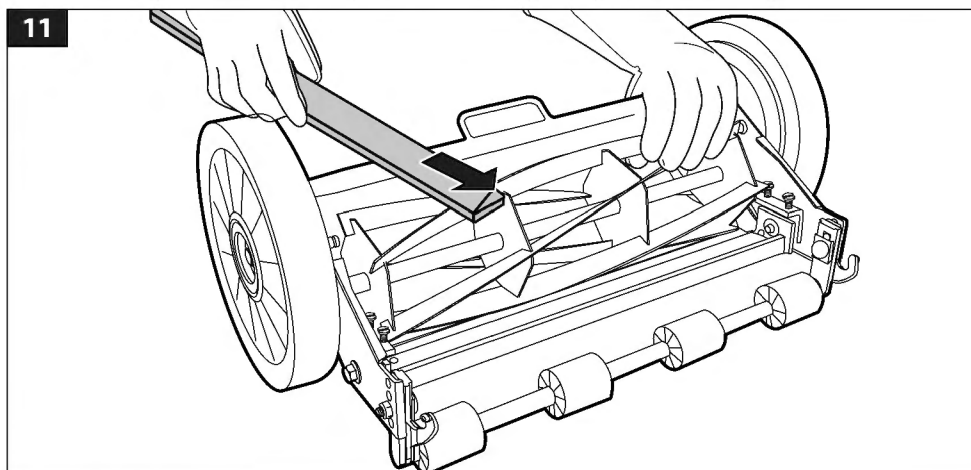
#### **⚠ VOORZICHTIG** Risico op letsel!

- ▶ Draag altijd werkhandschoenen en oogbescherming bij het slijpen van de messenkooi.
- ▶ Inspecteer de messenkooi regelmatig en gebruik het product niet met een versleten of beschadigde messenkooi. Als de messenkooi overmatig krom, gebogen, gebarsten of anderszins beschadigd is, slijp de messenkooi maar laat deze repareren door een professioneel reparatiecentrum.

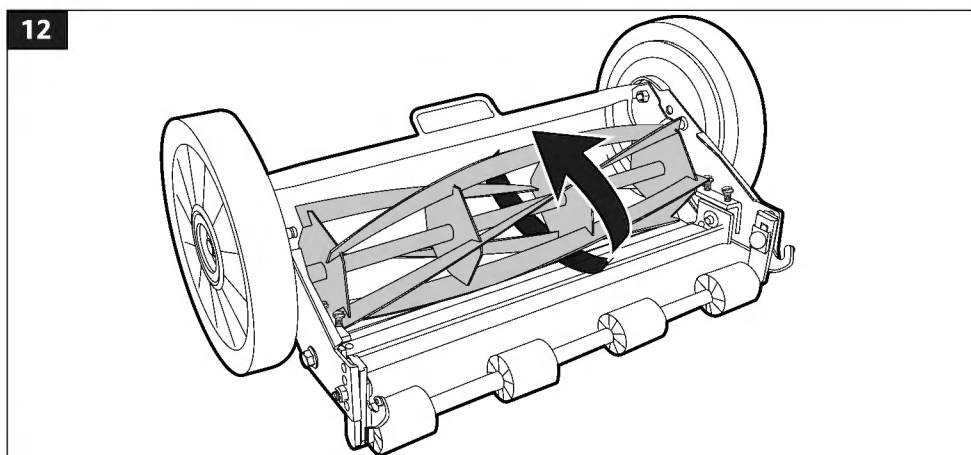
**OPMERKING**

- ▶ Slijp de messenkooi wanneer deze stomp is. Houd de messenkooi scherm zodat het gras juist wordt gemaaid.
- ▶ Het wordt aanbevolen om de messenkooi bij normale omstandigheden tweemaal per maaiseizoen te slijpen. Als het gazon een zandgrond heeft, kan vaker slijpen van de messenkooi nodig zijn.

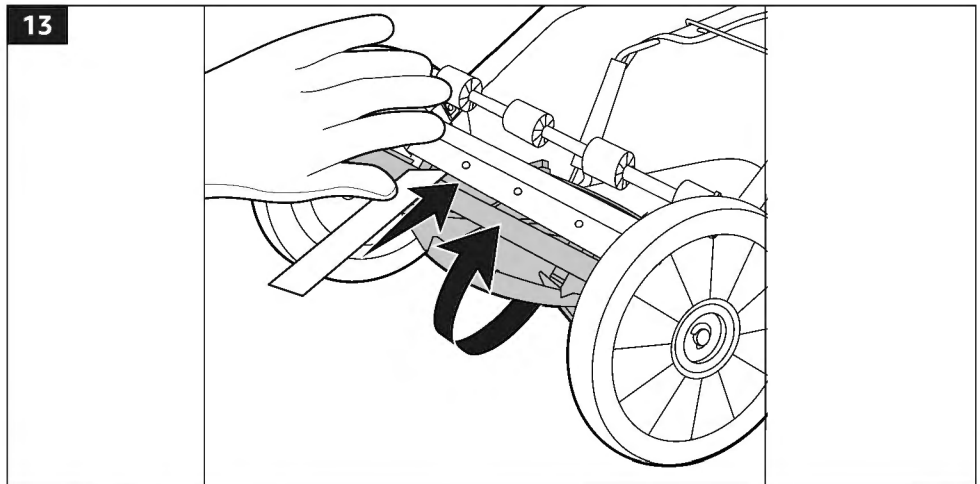
1. Zet de grasmaaier op een stabiele ondergrond zodat de messenkooi op een evenwichtige manier kan draaien.
2. Neem een metaalvijs van 10 inch en draag werkhandschoenen.
3. Houd de messenkooi met één hand aan de zijkant op zijn plaats. Duw de vijs met gelijkmatige halen over het bovenste mes weg van de rand. Draai de messenkooi voorzichtig om de kromming over de volledige lengte te volgen (fig. 11).



4. Roteer de messenkooi zodat het volgend mes zich aan de bovenkant bevindt (fig. 12). Slijp de resterende messen.



- Om de scherppte te testen, draai de grasmaaier ondersteboven. Draag handschoenen, neem een papierstrook en draai de messenkooi voorzichtig zodat het mes een stukje van het papier afsnijdt (fig. 13). Herhaal dit voor alle messen. Elk mes moet het papier gelijkmatig over de volledige lengte van het maaiblad afsnijden terwijl de kooi vloeiend draait.



## 11. Verwijdering



Gooi het product weg volgens de voorschriften in uw gemeente. In geval van twijfel, neem contact op met uw lokaal bestuur.

## 12. Informatie over Importeur

	Voor EU
Postadres:	Amazon EU S.à r.l., 38 avenue John F. Kennedy, L-1855 Luxembourg
Bedrijfsreg.:	134248

## 13. Feedback en hulp

Graag ontvangen wij uw feedback. Om u in de toekomst de best mogelijke klantenervaring te kunnen bieden, willen wij u vragen een klantenbeoordeling te schrijven.



NL: [amazon.nl/review/review-your-purchases#](https://amazon.nl/review/review-your-purchases#)

BE: [amazon.com.be/review/review-your-purchases#](https://amazon.com.be/review/review-your-purchases#)

Ga naar de onderstaande website mocht u hulp nodig hebben met uw Amazon Basics-product.



NL: [amazon.nl/gp/help/customer/contact-us](https://amazon.nl/gp/help/customer/contact-us)

BE: [amazon.com.be/gp/help/customer/contact-us](https://amazon.com.be/gp/help/customer/contact-us)

## 1. 安全に関する重要なお知らせ

### 1.1 対象ユーザー



本製品は、本書の内容を理解し、安全に使用できる人を想定して設計されています。本書に記載されている情報に従って本製品を使用できない人、例えば障害のある方やお子様が生産品を使用する場合は、使用者を監督できる同伴者が必要となります。



この説明書はよく読み、今後のため保管してください。本製品を第三者に譲る際は、必ずこの取扱説明書をつけてお譲りください。

### 1.2 危険表示の区分

本書では、誤った取り扱いをした場合に生じる危害や損害の程度を下記のように区分して説明しています。

記号	内容
 危険	取扱いを誤った場合、使用者が死亡または重傷を負うことがあり、かつその切迫の度合いが高い危害の程度。
 注意	取扱いを誤った場合、使用者が軽傷を負うことが想定されるかまたは物的損害の発生が想定される危害・損害の程度。

#### 注意

手動芝刈り機を使用する際には、怪我や破損の可能性を避けるため、以下の事項を含め、基本的な安全予防策を常に守ってください：

- お子様から離す – 訪問者はすべて、作業領域から離してください。
- アルコールや薬物を摂取している場合は、本製品を操作しないでください。
- 着衣は適切なものにしてください – ゆったりした服や宝飾品を着用しないでください。可動部に巻き込まれる場合があります。屋外で作業する場合は、保護手袋としつかりとした履物を着用することをお勧めします。
- 正しい製品を使用してください – 本製品を用途以外の作業に使用しないでください。
- 本製品に力を加えないでください – 本製品は、目的どおりの速度で使用すると、作業効率がよくなり、怪我を負うリスクも抑えられます。
- 足を伸ばしすぎないでください – 常に適切な足場とバランスを保ってください。
- 常に注意を払ってください – 今行っている作業に集中してください。常識を働かせてください。疲れている場合は、製品の使用は避けてください。

- 本製品は室内に保管してください – 本製品は使用していないとき、室内で乾燥した状態で、高い位置か、施錠された場所で保管し、お子様の手の届かないところに置いてください。
- 本製品の保守には注意してください – 最適でもっとも安全に性能を発揮できるように、ブレードは常に研いで清潔にしてください。
  - 潤滑方法を順守してください。
  - ハンドルは乾燥で、清潔な状態にして、オイルやグリスがつかないようにしてください。
- 手足を切削部に近づけないでください。
- ブレードに物が刺さると、身体に重度の怪我を負う原因となる可能性があります。刈る前に、芝に物体がないか丁寧に確認し、すべて取り除いてください。
- 本製品が異物に当たった場合は、次の手順に従ってください：
  - 刈りを停止する。
  - 損傷がないか点検する。
  - 損傷がある場合は、修理してから、本製品を再起動および使用する。
- 本製品は、日中または適切な人工ライトがあるところでのみ使用してください。
- 穴、轍、凸部、岩やその他隠れた危険物は避けてください。地形が平坦ではない場合、本製品が転倒、またはオペレーターがバランスを崩したり、足元が不安定になったりする原因となります。
- 放電材料を人に向けしないでください。壁や構造物に対して材料が放電しないようにしてください。材料がオペレーターに向かって跳弾する場合があります。砂利面を横切るときは、ブレードを傾けます。
- 本製品を人が傍にいない状態で放置しないでください。常に平らな地面の上に置いてください。
- 絶対必要な場合以外は、逆向きに動かさないでください。後進するとき、およびその前には常に、下と後ろをみてください。
- 坂道は、事故につながる大きな要因です。坂道での操作には、特に注意が必要です。
- 坂道上では、メーカー推奨の方向に移動してください。降車間近の操作時は、注意してください。
- 湿った草を刈るのは避けてください。足場が悪いと、滑ったり、落下したりする事故の原因となる可能性があります。
- 牽引、ハンドル操作、または安定性に問題がある状態で、本製品を使用しないでください。

- 速度や方向を急に變更しないようにしてください。方向転換はゆっくり、少しずつ行ってください。
- 本製品は、取扱説明書および手入れ方法の記載内容以外は、改造したり、修理したりしないでください。
- 本製品の組立は大人が行ってください。
- ファスナーを締め付けすぎないでください。
- 組み立て中は、製品にお子様やペットを近づけないでください。

#### ▲ 注意 怪我のリスクあり!

- 本製品で使用できるのは、メーカー指定のアクセサリとアタッチメントのみです。他のアクセサリやアタッチメントを使用すると、怪我のリスクが高まる場合があります!
- B0B15CKBM8 モデルのみ:通常使用時のグラスキャッチャーは、劣化や摩耗するため、頻繁にチェックして交換してください。グラスキャッチャーの交換品は、正規のメーカー推奨品または仕様に準拠しているかチェックしてください。

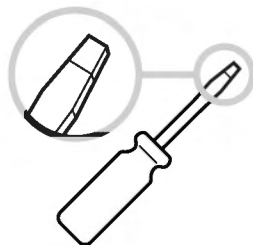
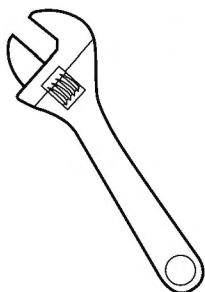
## 2. 用途

- 本製品は、家庭および造園環境での草刈りを目的としています。小規模、住宅地の芝や家庭/趣味の庭園の保全が主な用途です。
- 本製品は、荒地や藪で覆われた地形での試用には不向きです。
- 本製品はプライベートのみでの使用を意図しています。

## 3. 組み立て

✂ 組み立て方は、付属の組立マニュアルを参照してください。

## 4. 必要な工具



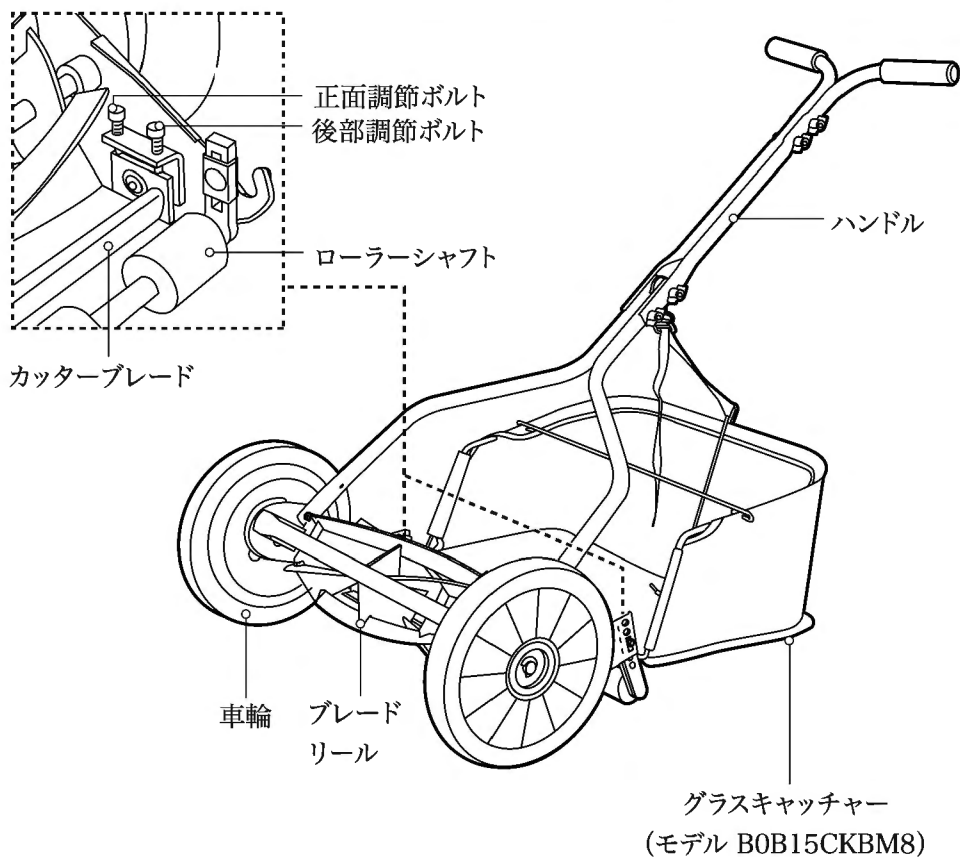
## 5. 初めて使用する前に

### ⚠ 危険 窒息のリスクあり!

梱包材はお子様やペットから離して保管してください。これらの材料は危険の原因となる可能性があります。例：窒息など。

- すべての梱包材を取り除いてください。
- コンポーネントはすべて、使用前に取外し再確認してください。
- 製品に運送中の損傷がないかチェックしてください。
- 本製品は、損傷したように見える場合は、使用しないでください。

## 6. 商品説明

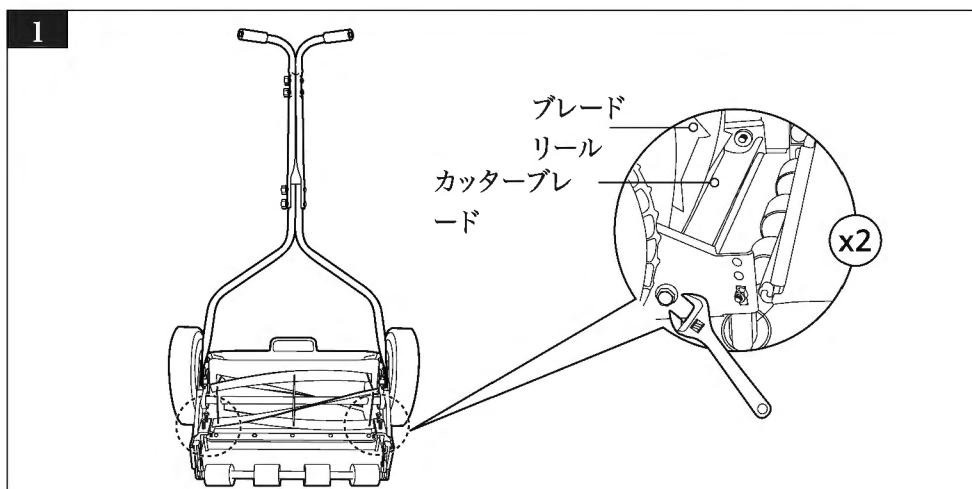


## 7. ブレードリールとカッターブレードの調節

### ⚠ 注意 怪我のリスクあり!

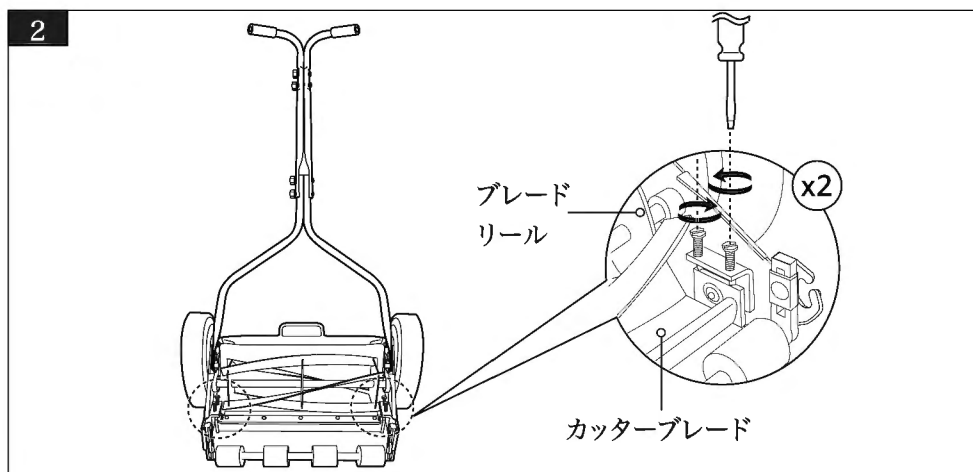
本製品で清掃またはメンテナンスをする場合、ブレードがあるところでは常に、保護手袋を着用してください。

- 調節不備により、ブレードリールが緩みすぎたり、締め付けられすぎたりする原因となる場合があります。この状態になった場合、切削状態が粗かったり、不均等だったり、または本製品を押しにくいことに気づきます。
- 調節はすべて、本製品の後部から行います。
- カッターブレードを調節するには、側部のネジを締め付けるか、緩めます（図 1）。

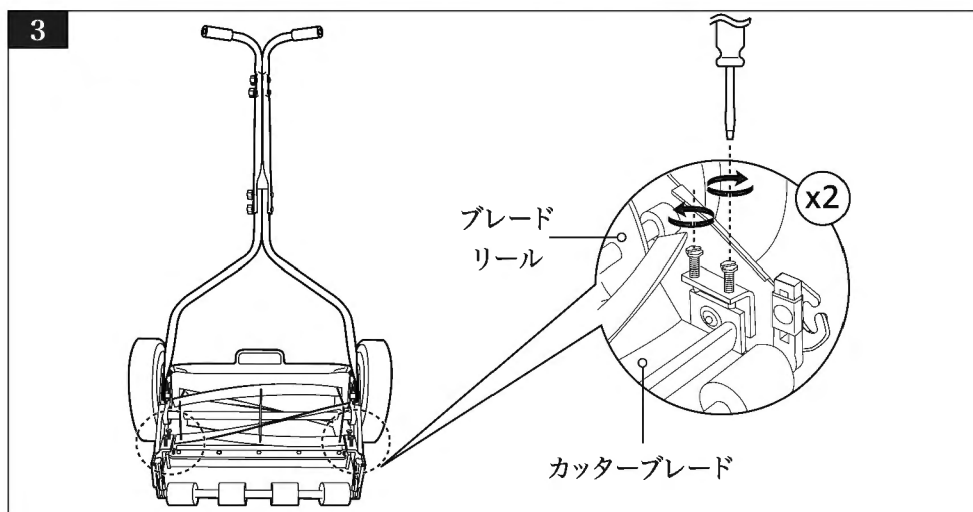




- ブレードリールを緩めるには、反時計回りに回して両側部の後部調節ボルトを緩めます。また、時計回りに均等に回して、両側部の正面調節ボルトを締め付けます (図 2)。カッターブレードは、ブレードリールから離れます。

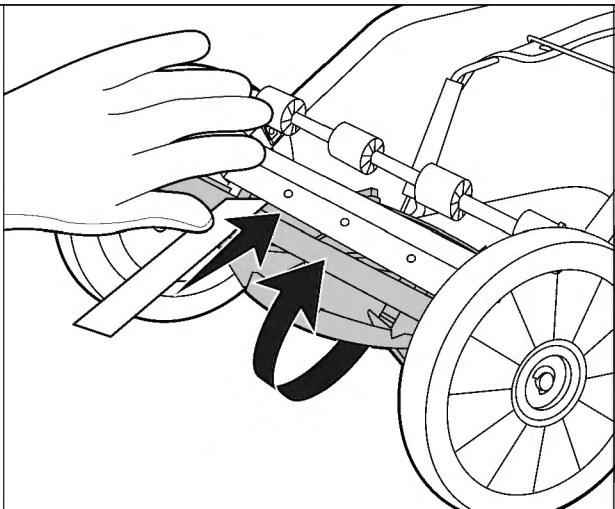


- ブレードリールを締め付けるには、両側部の正面調節ボルトを反時計回りに回して緩めます。また、時計回りに均等に回して、両側部の後部調節ボルトは締め付けます。カッターブレードは、ブレードリールに近づきます (図 3)。



- 調節具合をチェックするには、草刈り機を上下逆さにします。手袋を着用し、紙片を取り、ブレードがその紙の小片を切るように、ブレードリールを丁寧に回します (図 4)。すべてのブレードに同じことを繰り返します。各ブレードは、リールをスムーズに回すと、カッターブレード全長で紙を均等にスライスします。

4

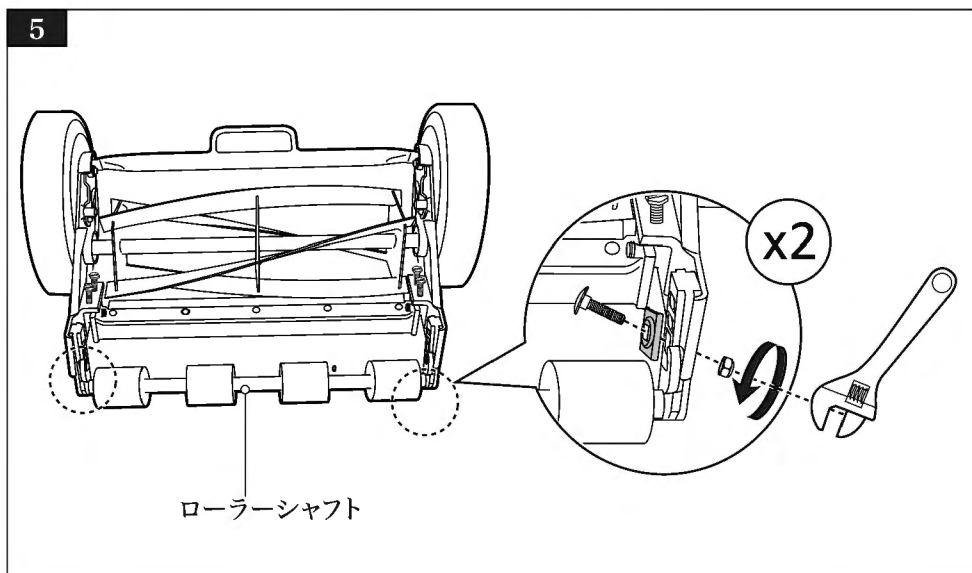


- 本製品の切れ方が断続的になっている場合は、切り方が適切になるように、ブレードリールの該当面について調節を行います。

## 8. 高さ調整

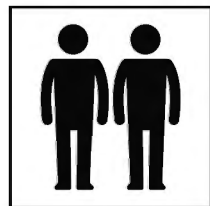
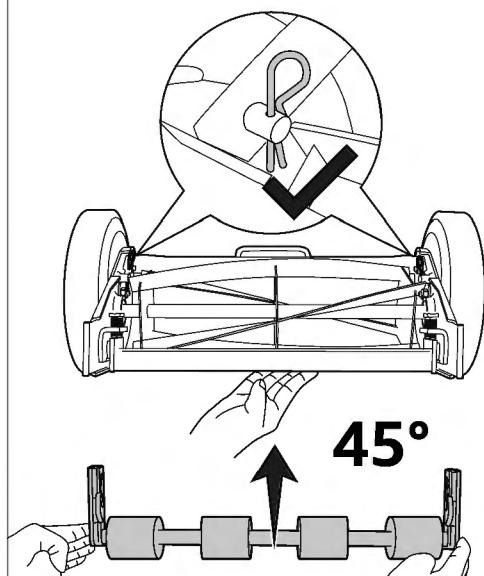
5. レンチを使って、ローラーシャフト両側部のボルト、ナットおよびスペーサーを緩めて取り外します。ローラーシャフトを取り外します (図 5)。

5



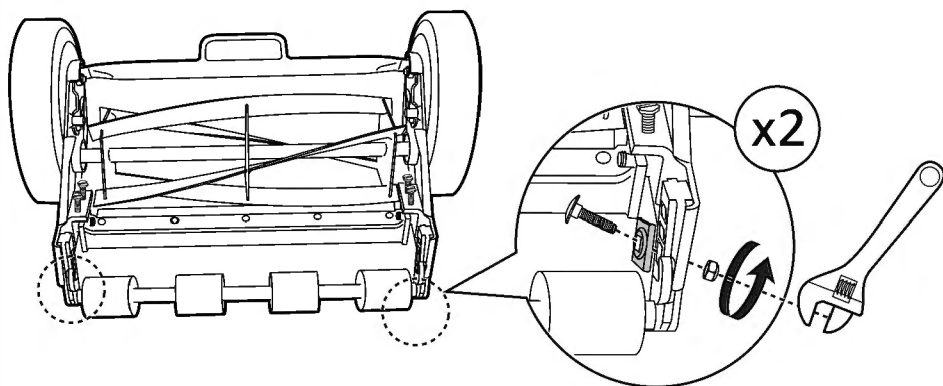
6. 刈り機のブレードを前方に傾けます。ローラーシャフトを 45°の角度でもう一度挿入します (図 6)。

6



7. ローラーシャフトを必要な調節レベルに調節し、ボルト、ナットおよびスペーサーを取り付け直します (図 7)。

7



## 9. 使用方法

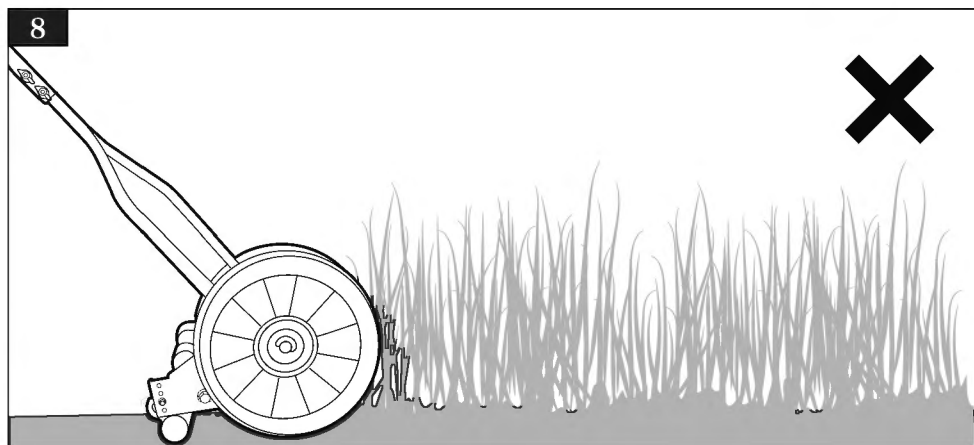
### 9.1 毎回使用前に

- 操作が初めてのオペレーターは、熟練オペレーターから芝刈り機の実際の使い方について説明を受ける必要があります。
- 芝刈り機とアクセサリに損傷がないかチェックします。本製品に損傷や摩耗がある場合は使用しないでください。
- ボルトが緩んでいないか、可動部に誤調節や拘束がないか、あるいはその他使用上影響が出る可能性がある状態がないかチェックします。異常な振動やノイズが生じる場合は、すぐに芝刈り機の使用をやめ、その後使用する前に、問題を修正してください。
- ブレードの残留物が取り除かれているかチェックしてください。草の残留物がブレードや芝刈り機の下側部に溜まっている場合はブラシではけるか、すすいで取り除いてください。
- ブレードの先鋭度は、刈る前にチェックしてください。高い草を刈る場合、ブレードは鋭利なほど、芝刈り機の性能はよくなる可能性があります。

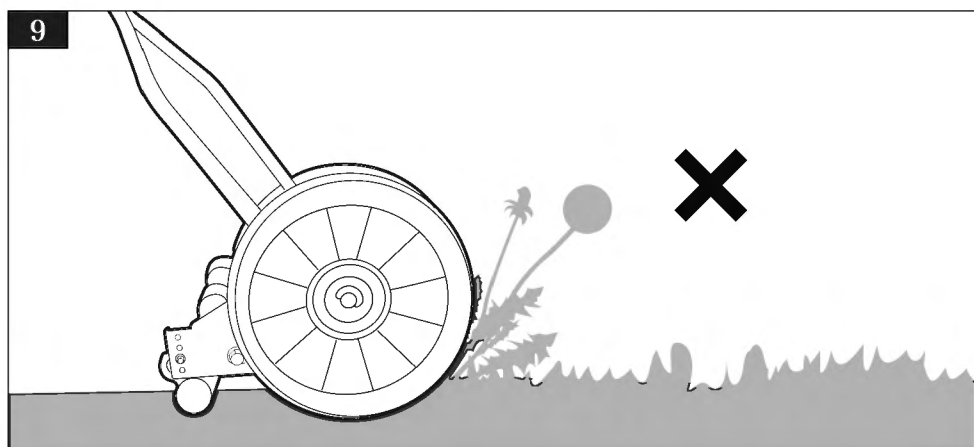
**通知** BOB15CKBM8 モデルのみ: グラスキャッチャーの取付は任意です。グラスキャッチャーを取り付けていない場合、マルチングで庭に切り取った草をもう一度撒きます。

### 9.2 刈るためのヒント

- 一定ペースで歩きます。刈り機のブレードの回転は、速く歩くペースで回転する車輪によって、最適な成果が出ます。
- 円を絵が行くように刈らないでください。本製品を芝の上で前後に動かさないでください。
- 土や草が湿っているときは、刈らないでください。土や草が湿っていると、本製品のブレードと下側部が刺さる場合があります。
- 芝には、刈る前に、化学薬品を撒かないでください。
- 太い草を切るときは、切り取る効果を上げ、切り取った草を適切に放出できるように、歩く速度を遅くします。
- 草が高く伸びすぎたままにしないようにしてください (図 8)。草が高いと、芝刈り機が押しずらくなります。芝は週単位で刈ることをお勧めします。

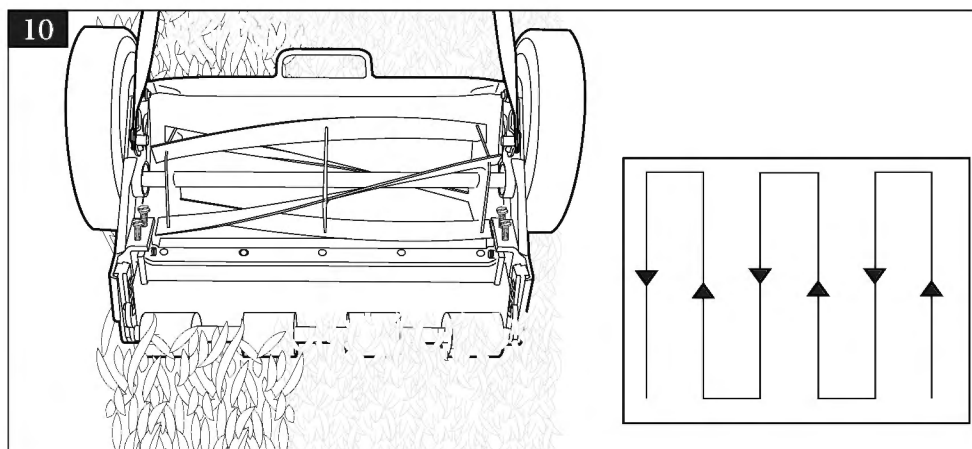


- 高くなった雑草は刈らないでください (図 9)。雑草が生えすぎた場合は、初めに、雑草を全部取り除くか、地域の芝サービスにお問い合わせください。



- 平らではない地面または高く伸びた草の中で刈る場合は、本製品を最大切削高に設定してください。
- 草の高さにあわせて刈ってください。刈るごとに、草の全長の1/3より下の部分は刈らないでください。平均的な芝の長さは、寒い月で約 1-1/2 ~ 2 インチ (38 ~ 50 mm)、暑い月で 2 ~ 3-1/4 インチ (50 インチ 83 mm) の間くらいになります。高さが 7 インチ (180 mm) 以上の草や雑草は刈らないことをお勧めします。
- 芝刈りは乾燥した日の午前中か、午後遅くにするをお勧めします。これで、藪、芝の損傷、草への熱ストレスが抑えられます。

- 周辺を先に刈ると、芝がきれいに片付き、前後縦に刈るときに、回転する隙間ができます。
- 少し重ねながら、前後に直線に刈ります（図 10）。その部分全体が刈られるまで、この工程を繰り返します。



## 10. 清掃とメンテナンス

### ▲ 注意 怪我のリスクあり!

本製品で清掃またはメンテナンスをする場合、ブレードがあるところでは常に、保護手袋を着用してください。

#### 10.1 簡易清掃

- ハウジング外装は少し湿らせた、糸くずの出ない布できれいにしてください。清掃後は、拭き取って乾燥させてください。
- 腐食性洗剤、ワイヤブラシ、研磨たわし、メタルまたは鋭利な器具を使用して、本製品ハウジングを掃除するのは絶対やめてください。

#### 10.2 徹底清掃

##### 通知

刈り取った草、葉、汚れやその他残留物は、本製品の使用ごとに、取り除いて清掃します。

1. 本製品を側部で回します。
2. 草の残留物をプラスチックペイントスクレーパー（別売）または同様の非金属工具を使って、下側から剥がします。
3. 下側部と車輪にある草の刈り取った残りや残留物を柔らかいブラシで擦り取ります。
4. 庭用ホースで製品に水を掛けます。

5. 乾いた布で全部分を拭いてください。
6. 刈り取った草が溜まったものを減らすため、清掃後、芝刈り機の各部分に植物油を少し吹きかけます。
7. 清掃後、本製品を鉛直に立てます。

### 10.3 グラスキャッチャーの清掃 (モデル B0B15CKBM8)

---

1. グラスキャッチャーを芝刈り機から取り外します。
2. グラスキャッチャーを空にします。
3. グラスキャッチャーの外側と内側にホースで水を掛け、残留物を柔らかいブラシで優しく擦って落とします。
4. グラスキャッチャーは、芝刈り機に取り付ける前に、完全に乾かします。

### 10.4 メンテナンスおよび保管

---

- 定期的に部品をチェックし、全てのボルトがしっかりとしまっていることを確認してください。
- 本芝刈り機は保管する前に、よく清掃してください。
- 芝刈り機は、肥料や岩塩等の腐食材量から離して保管してください。
- 乾燥した涼しい場所で、お子様やペットの手の届かない場所に、できれば元々のパッケージの中に入れて保管してください。

### 10.5 車両で輸送

---

- 芝刈り機を少し持ち上げるときは、ブレード上の小さなハンドルと、芝刈り機のハンドルをつかみます。両手を使ってください。
- 車両で輸送するときは、転倒して芝刈り機が損傷しないようにするため、芝刈り機を固定します。必要な場合は、紐またはラチェットで縛ります。
- 適切な積載傾斜がない場合は、芝刈り機を車両に載せるとき、別の人に手伝ってもらいます。

### 10.6 潤滑

---

- 草刈り季節ごとに1回、稼働が妨害されないようにするため、可動部とピボットポイントに軽油で潤滑します。
- 操作中、車輪がスムーズに動かない場合は、車軸に軽油で潤滑します。

## 10.6.1 ブレードリールを研ぐ

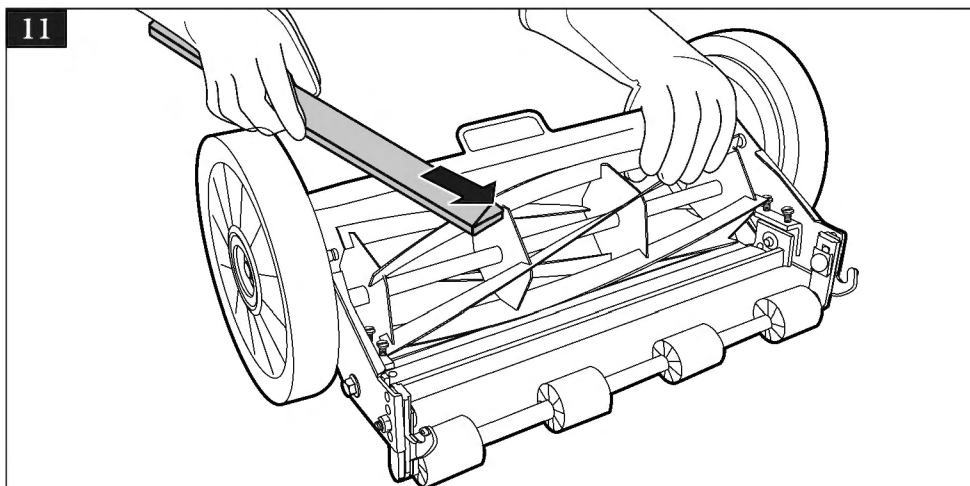
**▲ 注意 怪我のリスクあり!**

- ブレードリールを研ぐときは必ず、保護手袋と眼保護具を着用してください。
- ブレードリールは定期的に点検し、本製品が摩耗または損傷したブレードで操作しないでください。ブレードの摩耗、曲げ、亀裂またはそれ以外で損傷が酷い場合は、研がずに、専門の修理センターに修理を依頼してください。

**通知**

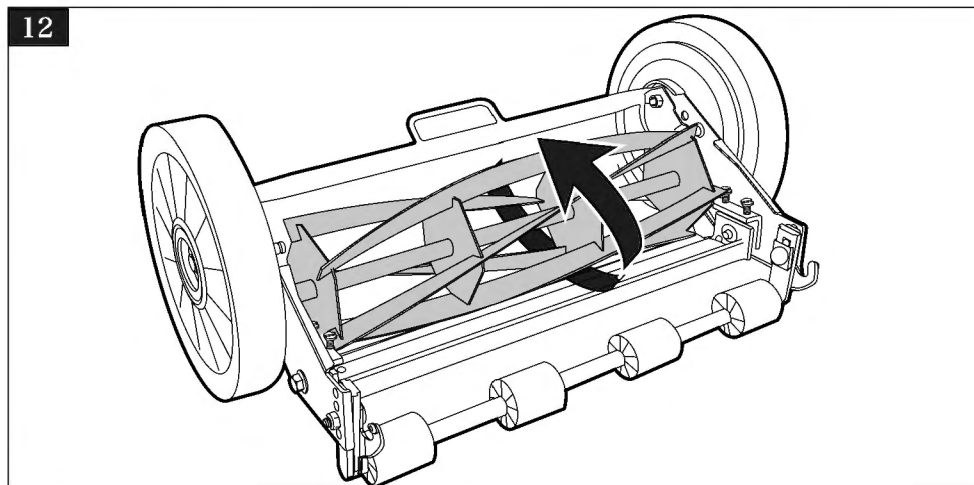
- 切れが悪くなった場合は、ブレードを研いってください。ブレードは、草が適切に切れるように、常に鋭利にしてください。
- ブレードは、通常の状態では、草刈り季節に2回研ぐことをお勧めします。芝に砂土が入っている場合は、さらに研ぐ回数が必要な場合があります。

1. 刈り機は、ブレードリールがバランスよく回転できるように、安定した面に置きます。
2. 10 インチの金属ファイルを用意し、保護手袋を着用します。
3. 片手を片側に当て、ブレードリールを正位置で抑えます。均等に回して、上部ブレードのファイルを端部から離します。ブレードリールを少し回し、曲線にあわせて全長を動かします (図 11)。

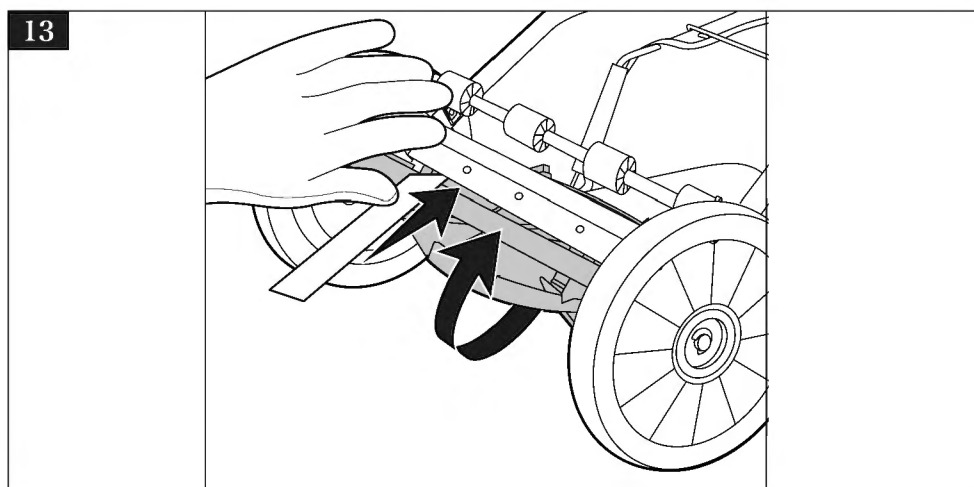




4. ブレードリールは、次のブレードが上部位置に来るように、回します (図 12)。残りのブレードを研ぎます。



- 先鋭度を検査するには、芝刈り機を上下逆にします。手袋を着用し、紙片を取り、ブレードが紙の小片を切るように、ブレードリールを丁寧に回します (図 13)。すべてのブレードに同じことを繰り返します。各ブレードは、リールをスムーズに回すと、カッターブレード全長で紙を均等にスライスします。



## 11. 製品の廃棄



本製品を廃棄する場合は、各パーツごとに自治体や施設の方針に従って処分してください。

## 12. フィードバックとサポート

ご意見お待ちしております。顧客体験をできるかぎり良いものにするため、顧客レビュー記入にご協力ください。



[amazon.co.jp/review/review-your-purchases#](https://amazon.co.jp/review/review-your-purchases#)

Amazon Basics 製品についてサポートが必要な場合は、下記ウェブサイトをご利用ください。



[amazon.co.jp/gp/help/customer/contact-us](https://amazon.co.jp/gp/help/customer/contact-us)

販売元:アマゾンジャパン合同会社

所在地:〒153-0064 東京都目黒区下目黒 1 丁目 8-1

アルコタワーアネックス

URL:<https://www.amazon.co.jp/>



# amazon basics

[amazon.com/AmazonBasics](https://amazon.com/AmazonBasics)

MADE IN CHINA  
FABRIQUÉ EN CHINE  
HERGESTELLT IN CHINA  
PRODOTTO IN CINA  
HECHO EN CHINA  
GEMAAKT IN CHINA

中国製

V04-01/24

